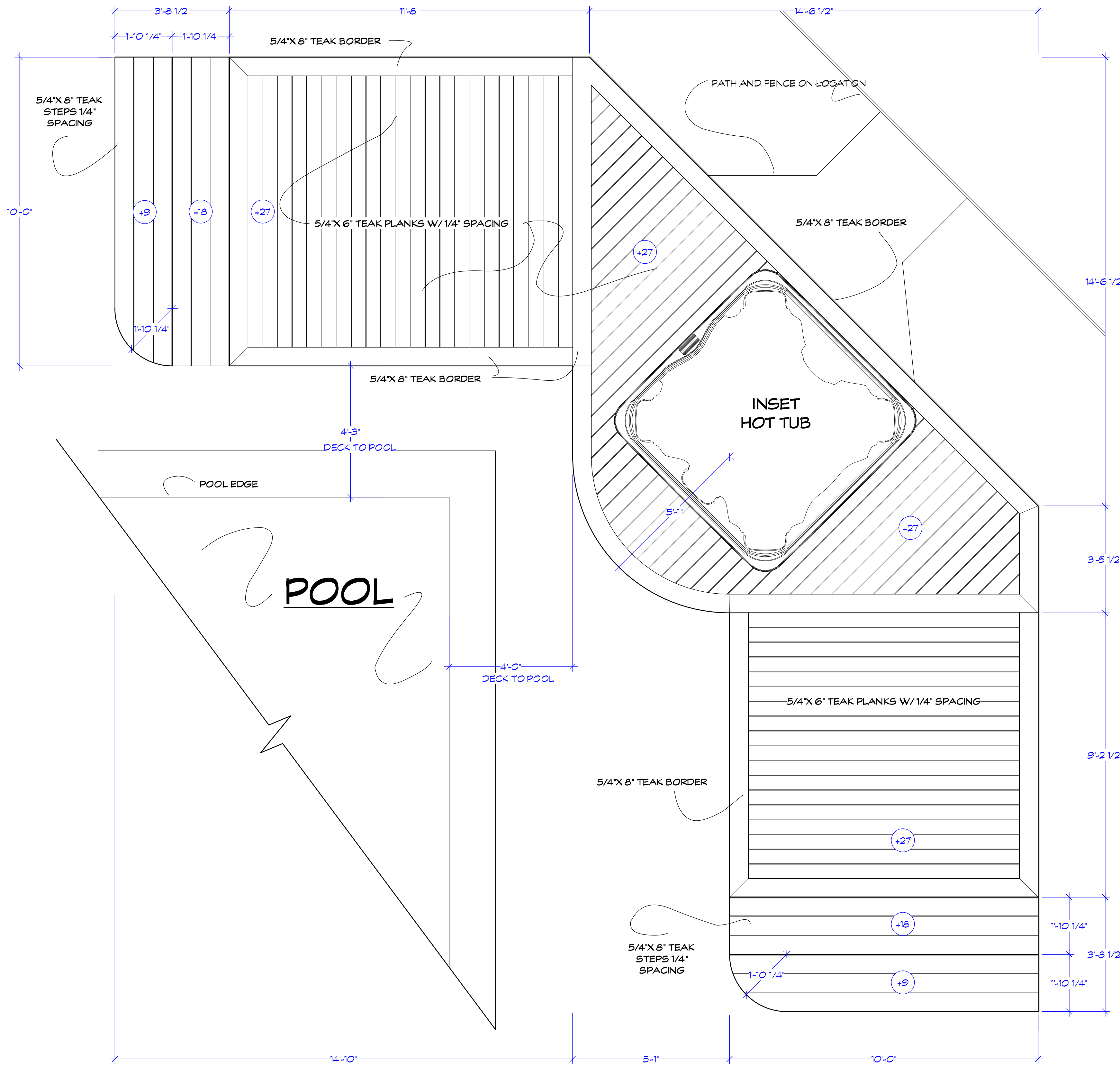
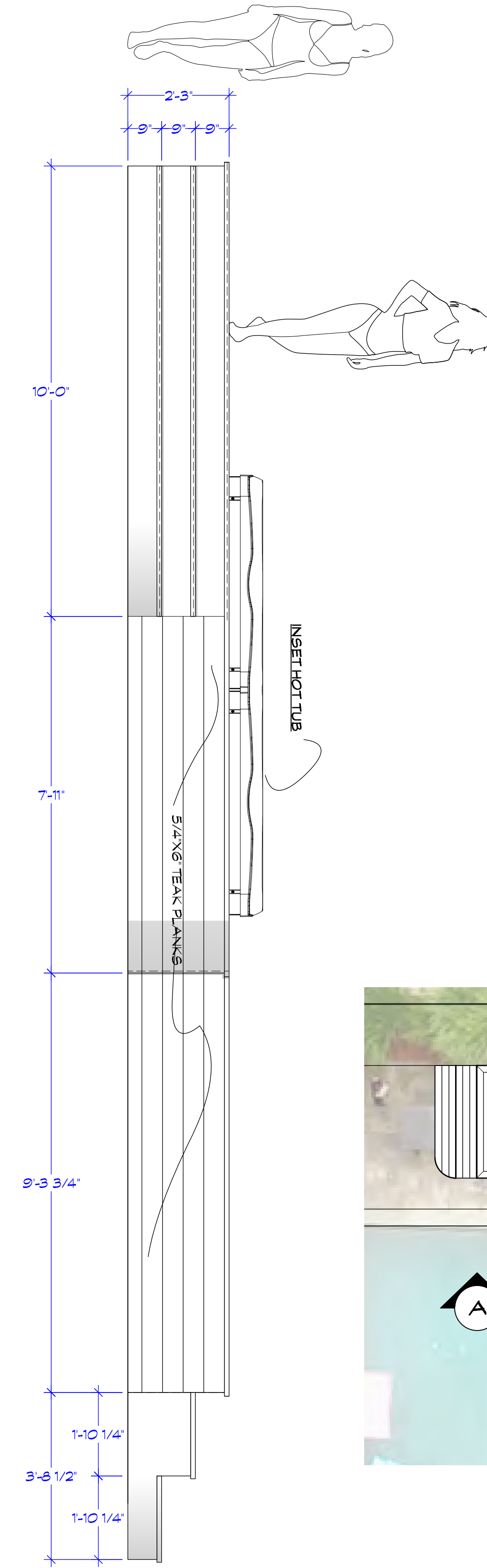


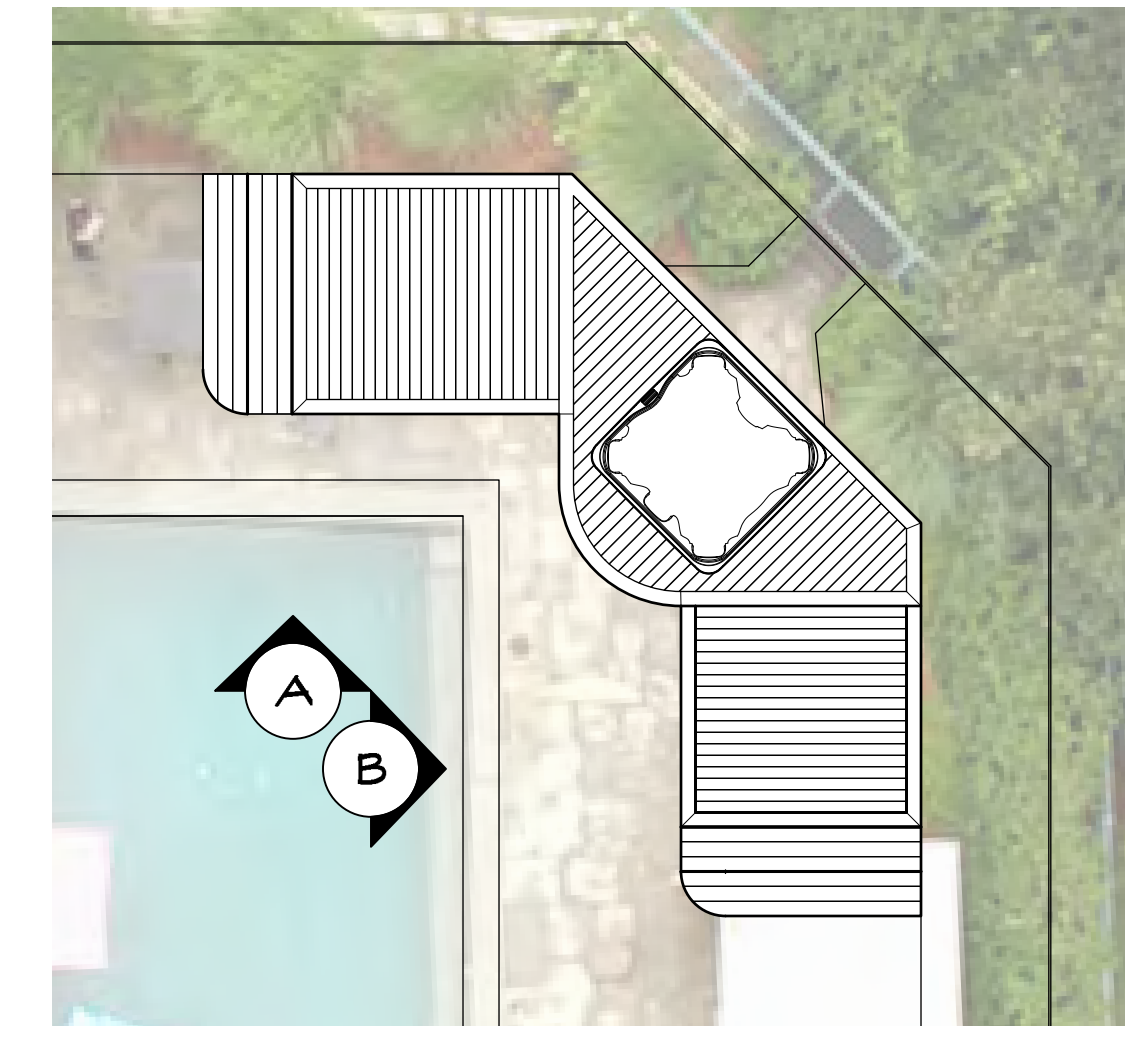
**A DECK WITH HOT TUB FRONT VIEW**  
Scale: 1/2" = 1'-0"



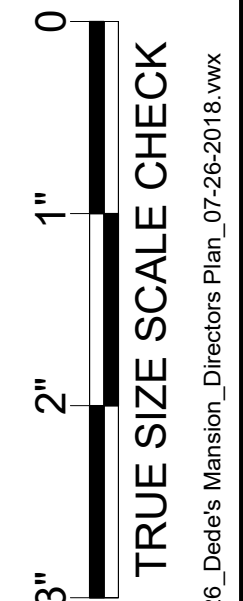
**DECK WITH HOT TUB**  
Scale: 1/2" = 1'-0"



**B DECK WITH HOT TUB SIDE VIEW**  
Scale: 1/2" = 1'-0"



**SITE PLAN**  
Scale: 1/8" = 1'-0"



TRUE SIZE SCALE CHECK  
26\_Dede's Mansion\_Directors Plan\_07-26-2018.vwx



Exec Producer: ALAN POUL  
Line Producer: GAIL BARRINGER  
Address: 295 Locust Ave. Bronx, NY 10454  
Prod. Designer: LESTER COHEN  
Set Decorator: KERI LEDERMAN

Exec Producer: LORI JOHNSON  
Art Director: JORDAN JACOBS  
Const. Coordinator: RAY SAMITZ

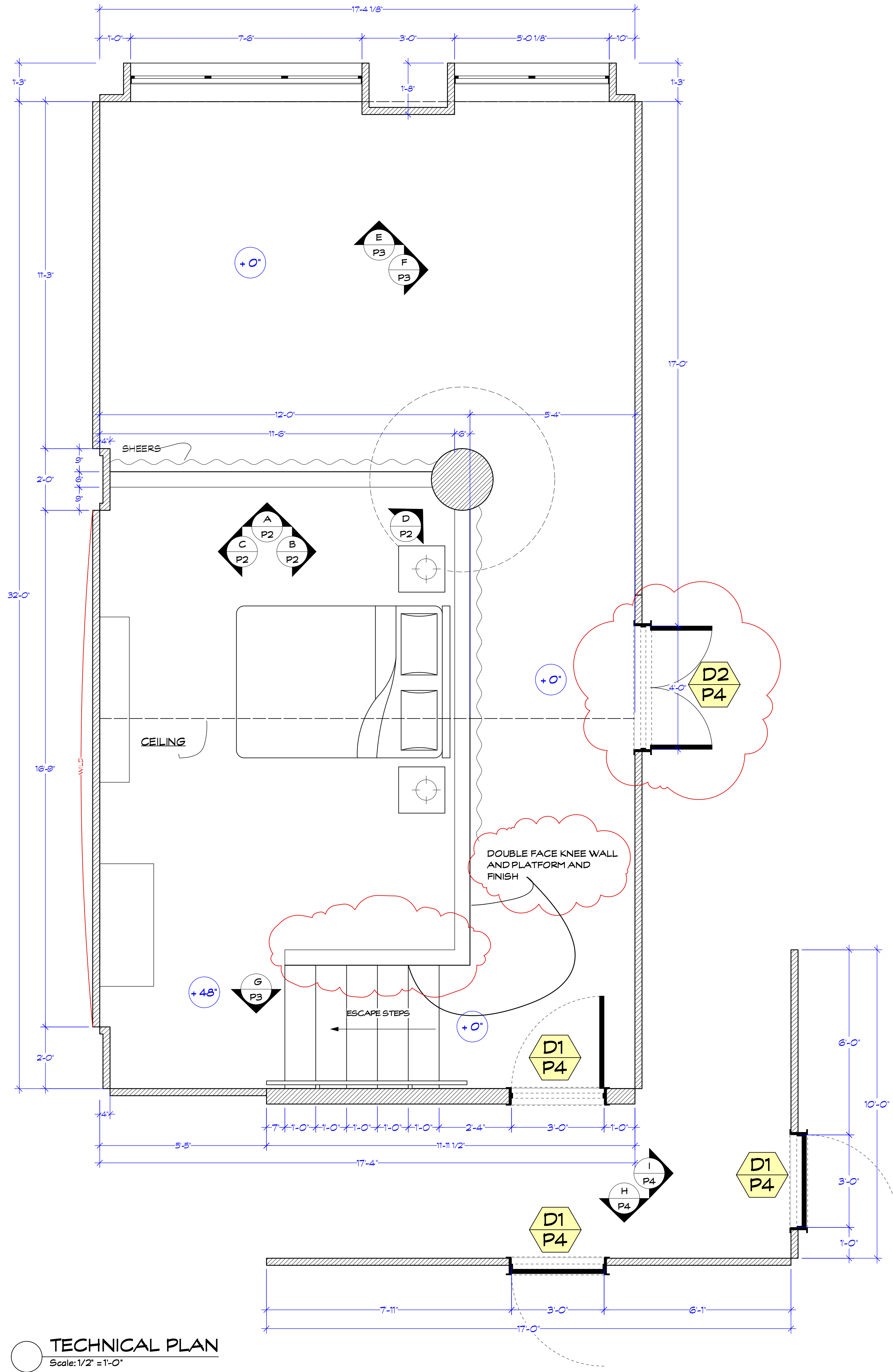
Set Name & Description: **DEDE'S MANSION HOT TUB ELEVATION**  
Director: ALAN POUL  
Location: 55 HUDSON RD WEST IRVINGTON 10633

Episode: **102**  
Set #: **26**  
Scale: **1/2" = 1'-0"**

Released: **RELEASED 7/26/2018**

Drawn By: **M. FAHRER**  
Drawing Date: **3/30/2020**  
Shoot Date: **8/15/18**

Sheet No.: **26-1** of: Total



**TECHNICAL PLAN**  
Scale: 1/2" = 1'-0"

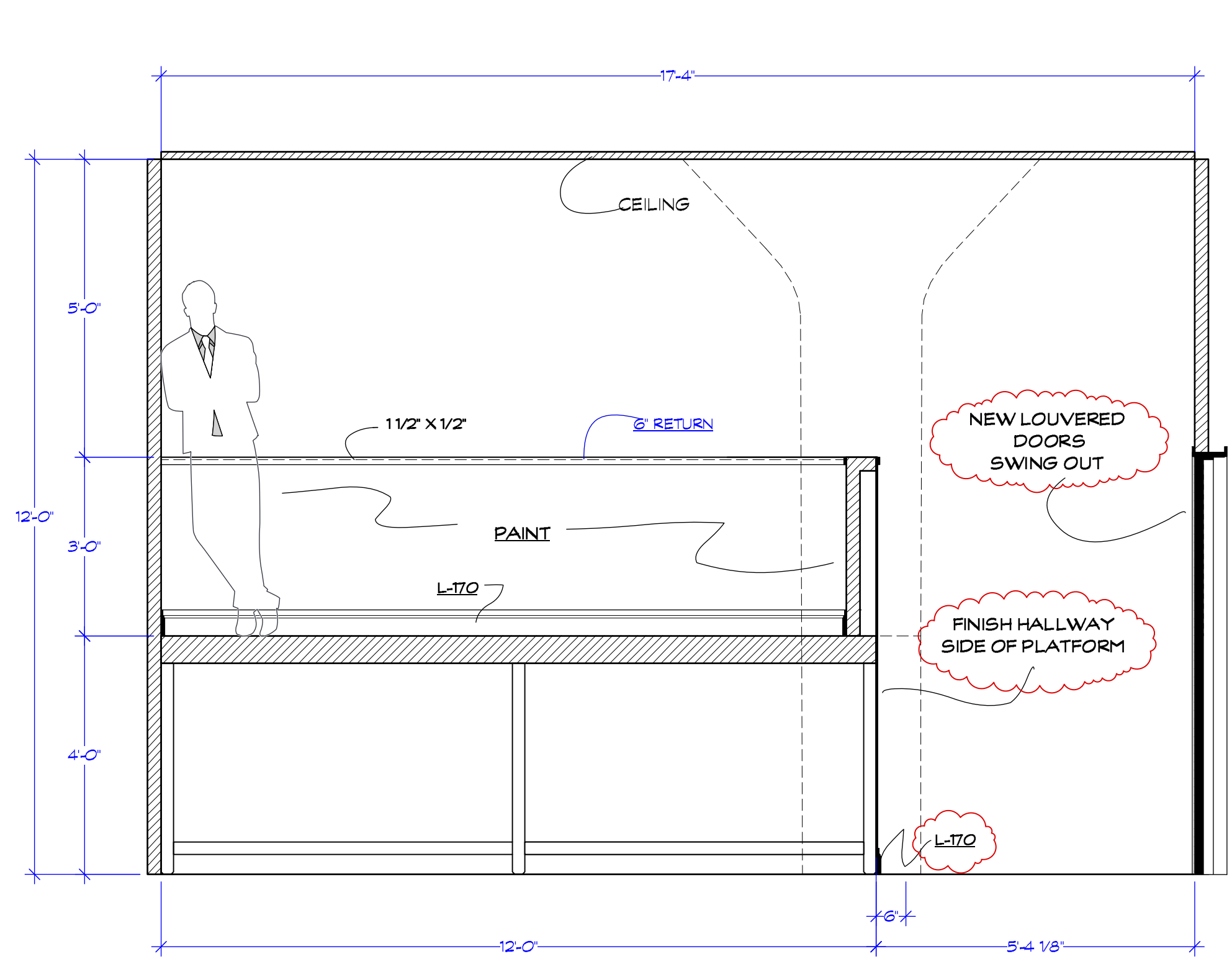


11\_Flaco's Loft 9-14-18.vwx

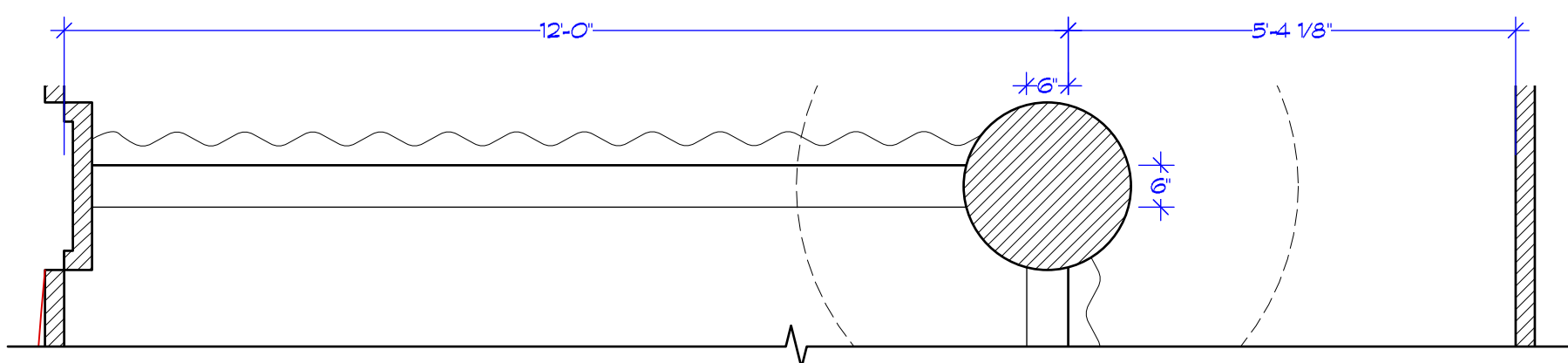
**\*\*\* CHANGED SWING OF CLOSET DOORS  
DOUBLE FACED STAIRS WITH ADDED  
WILD KNEE WALL AT STEPS \*\*\***

**REVISED 09/21/2018**

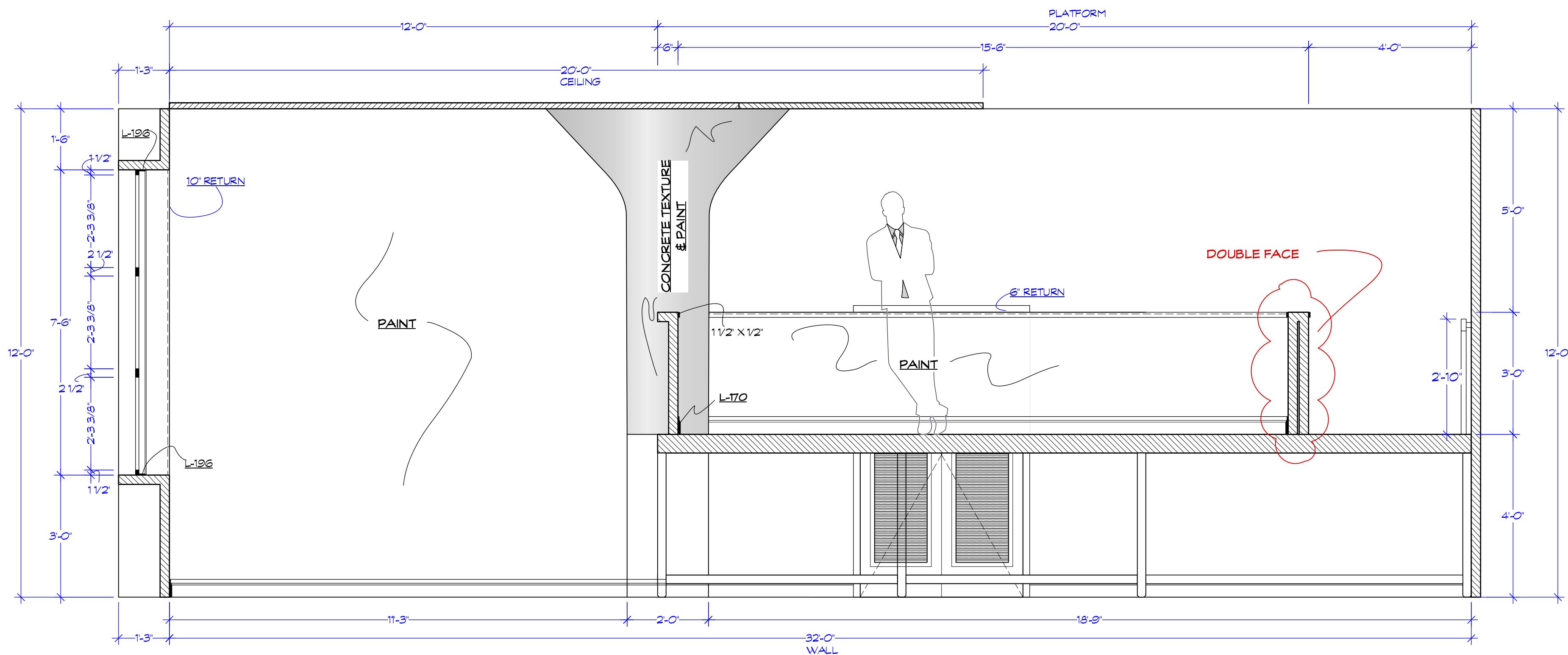
Exec Producer: ALAN POUL Line Producer: GAIL BARRINGER Address: 295 Locust Ave. Bronx, NY 10454 Prod. Designer: LESTER COHEN Set Decorator: KER LEIDERMAN		Exec Producer: UPM: LORI JOHNSON Art Director: JORDAN JACOBS Constr. Coordinator: RAY SAMITZ		Set Name & Description: <b>FLACO'S LOFT BEDROOM TECHNICAL PLAN</b> Director: ALAN POUL Location: <b>STAGE 1</b>		Episode: <b>XXX</b> Set #: <b>11</b> Scale: <b>1/2" = 1'-0"</b>		Drawing Date: <b>3/30/2020</b> Drawn by: <b>M. FAHRER</b> Shoot Date: <b>TBD</b> Sheet No.: <b>11-1</b>	
---	--	---	--	--	--	--	--	--	--



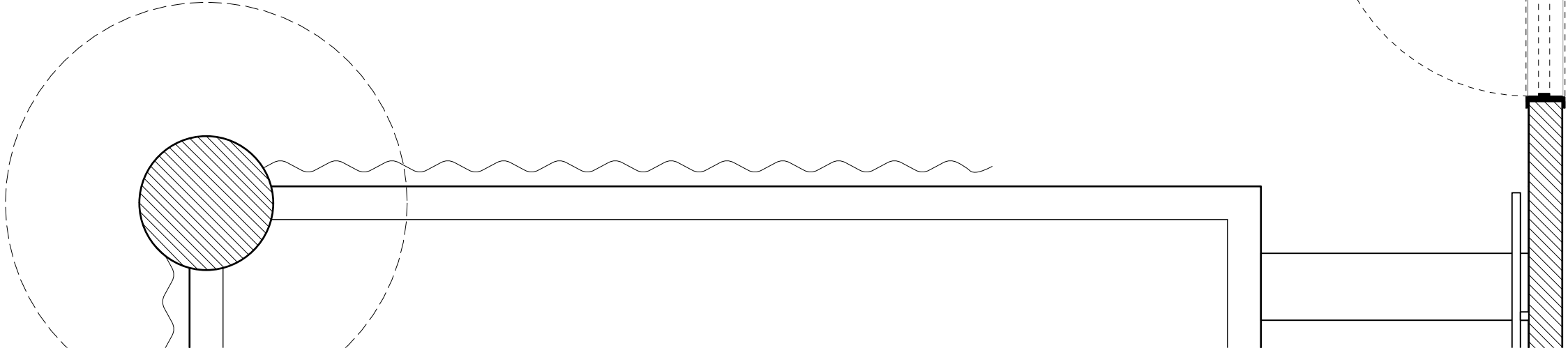
**A LOFT WALL ELEVATION**  
Scale: 1/2" = 1'-0"



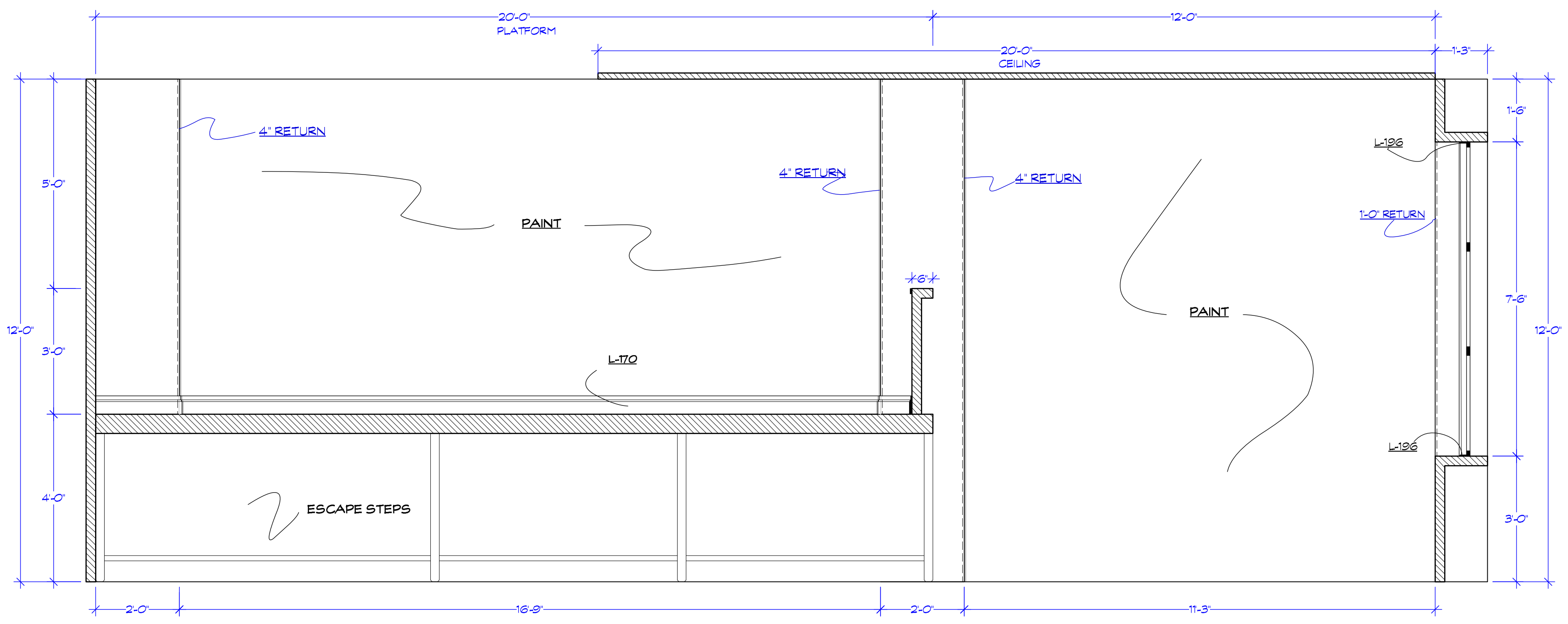
**A LOFT WALL PLAN**  
Scale: 1/2" = 1'-0"



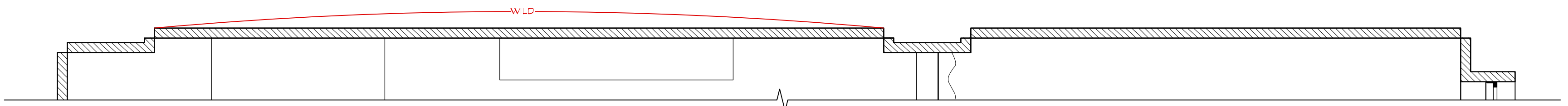
**B LOFT WALL ELEVATION**  
Scale: 1/2" = 1'-0"



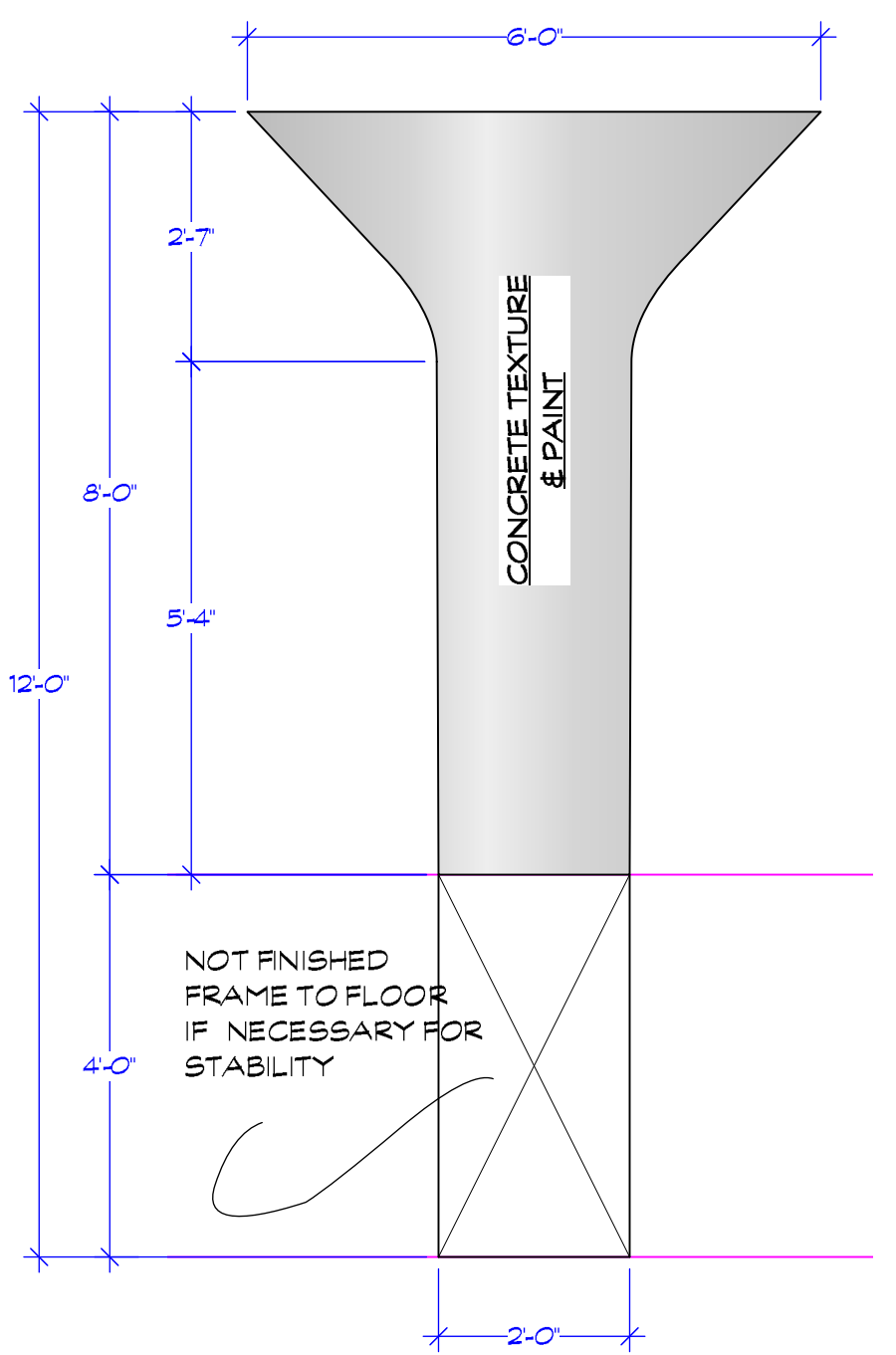
**B LOFT WALL PLAN**  
Scale: 1/2" = 1'-0"



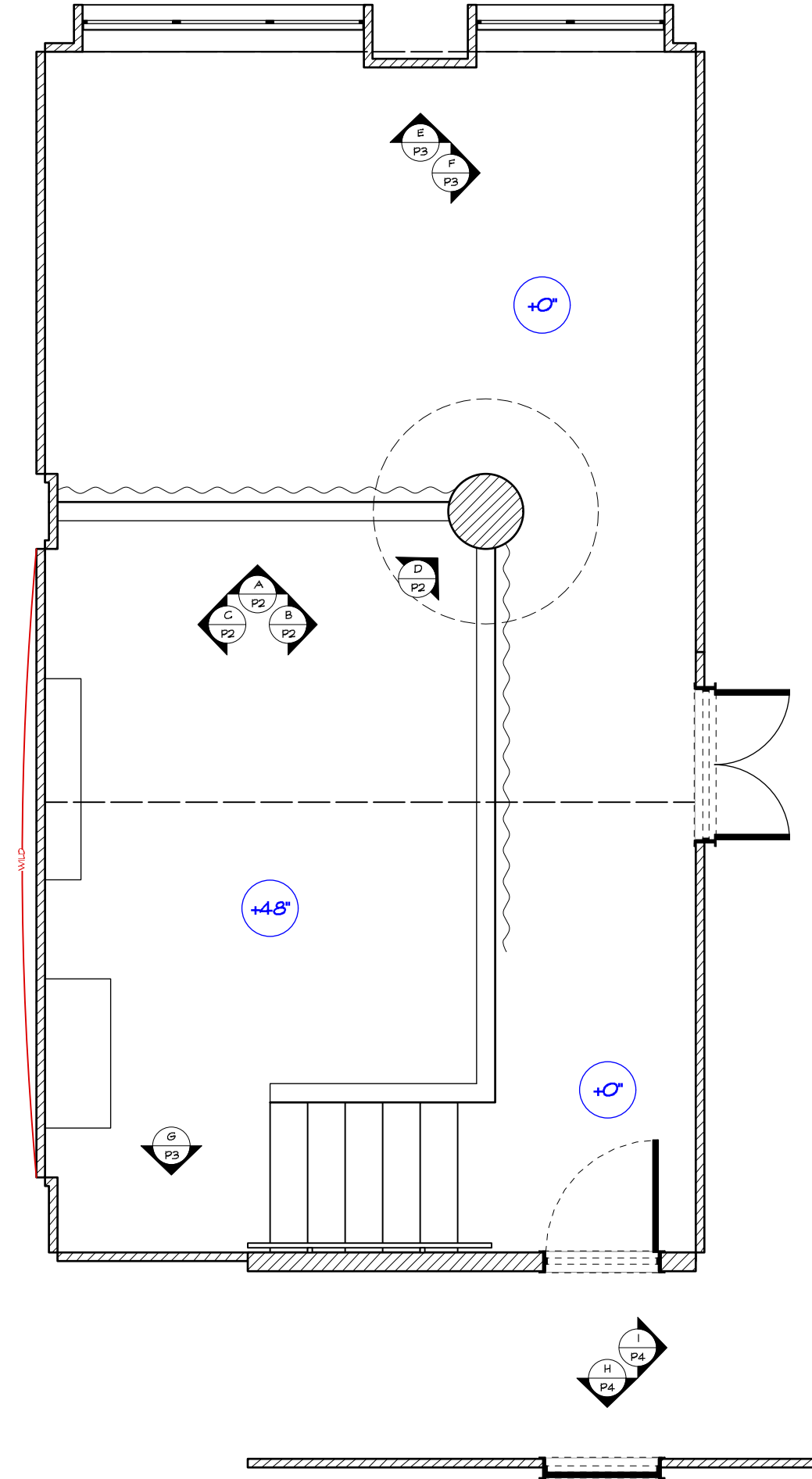
**C LOFT WALL ELEVATION**  
Scale: 1/2" = 1'-0"



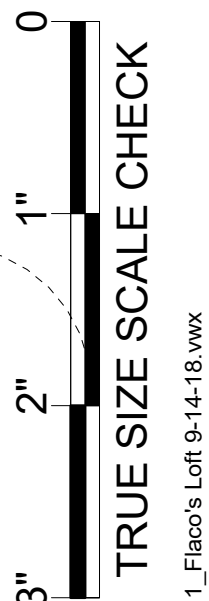
**C LOFT WALL PLAN**  
Scale: 1/2" = 1'-0"



**D COLUMN ELEVATION**  
Scale: 1/2" = 1'-0"



**REFERENCE PLAN**  
Scale: 1/4" = 1'-0"

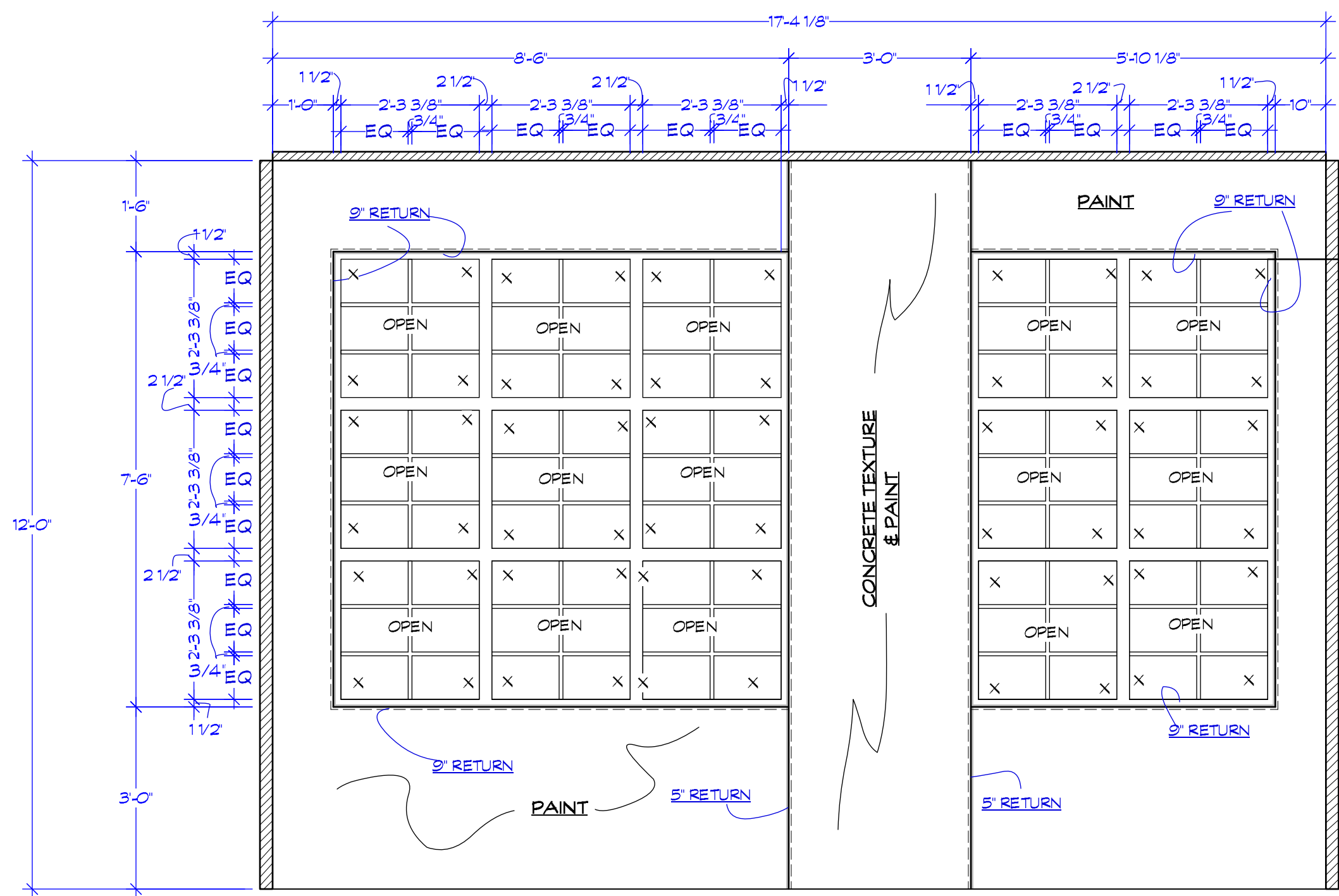


**REVISED 09/20/2018**

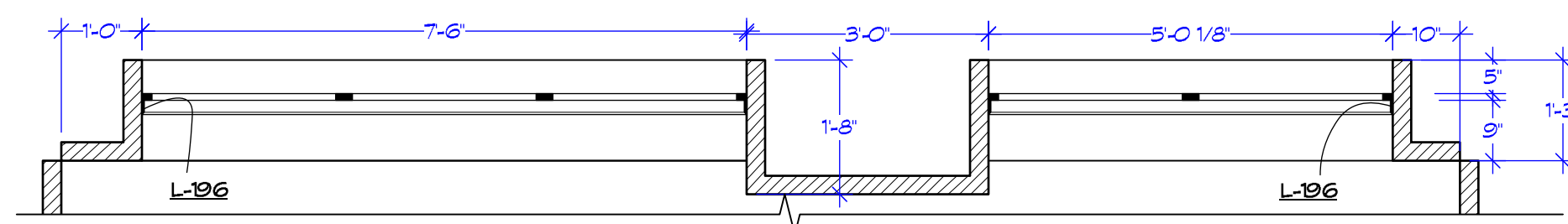
Episode: <b>104</b>	Set #: <b>11</b>	Scale: <b>1/2" = 1'-0"</b>
Set Name & Description: <b>FLACO'S LOFT BEDROOM ELEVATIONS</b>	Director: <b>ALAN POUL</b>	Location: <b>STAGE 1</b>
Exec Producer: <b>ALAN POUL</b>	Exec Producer: <b>UPM: LORI JOHNSON</b>	Address: <b>295 Locust Ave. Bronx, NY 10464</b>
Line Producer: <b>GAIL BARRINGER</b>	Art Director: <b>JORDAN JACOBS</b>	Const. Coordinator: <b>RAY SAMITZ</b>
Prod. Designer: <b>LESTER COHEN</b>	Set Decorator: <b>KERI LEDERMAN</b>	
Drawing Date: <b>3/30/2020</b>	Drawn by: <b>M. FAHRER</b>	Sheet No.: <b>11-2</b>
Shoot Date: <b>XX/XX/2018</b>		



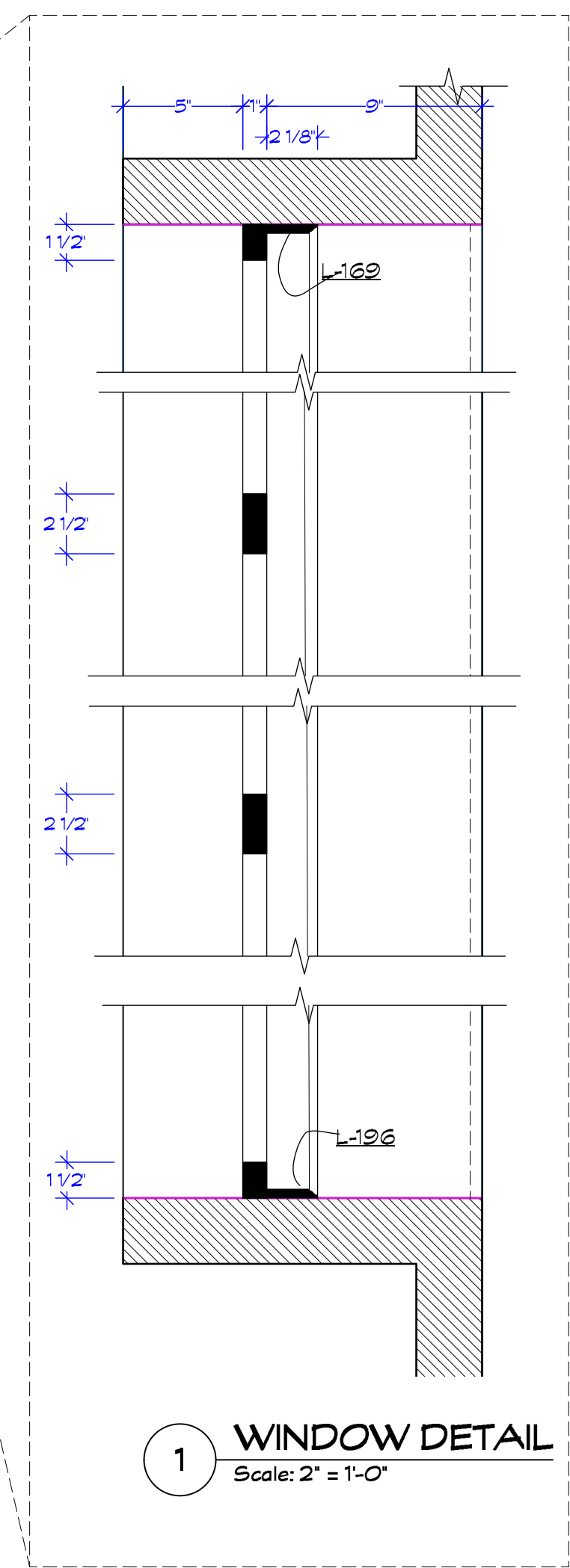
11\_Flaco's Loft 9-14-18.wxw



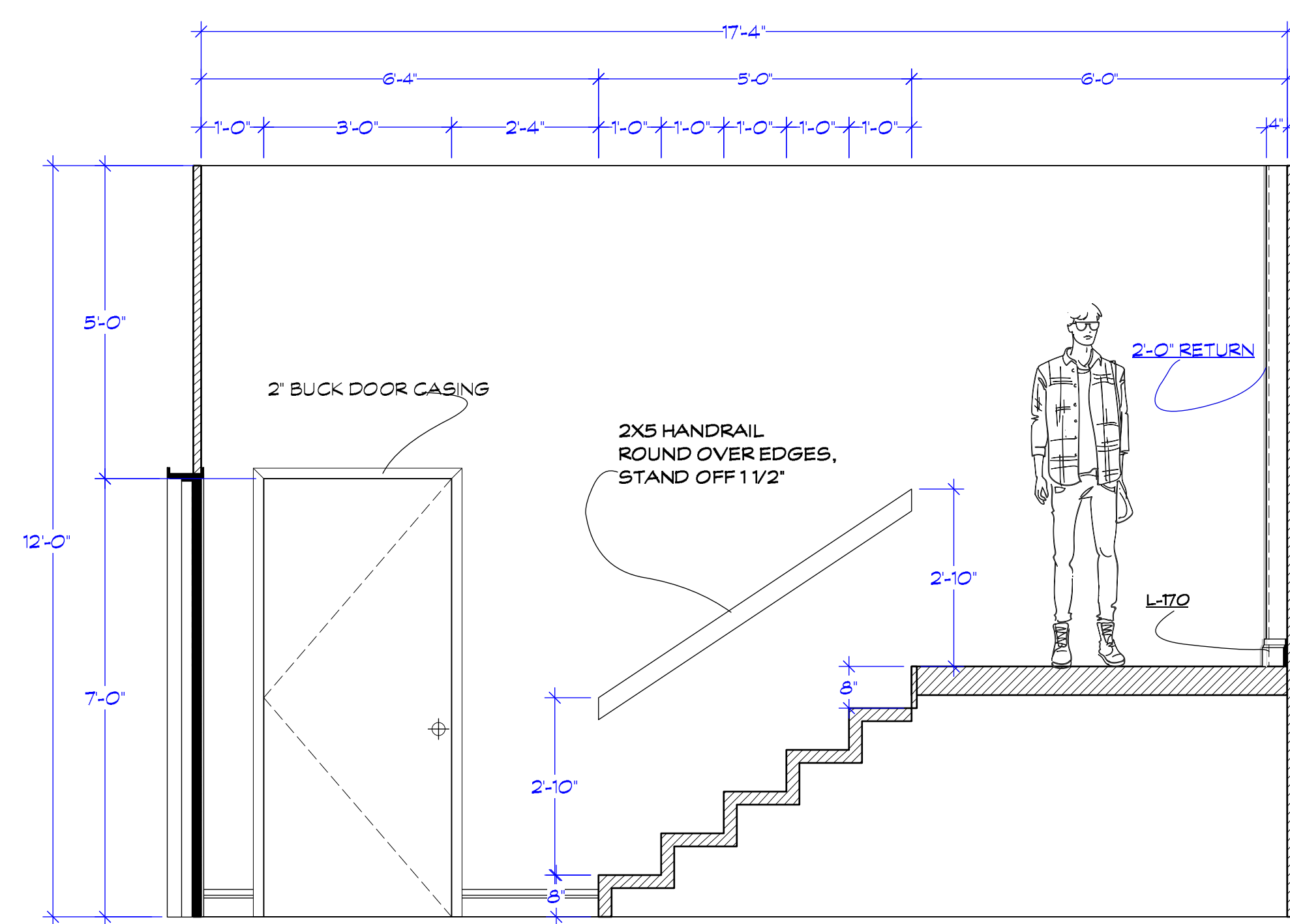
**E UPSTAGE WINDOW ELEVATION**  
Scale: 1/2" = 1'-0"



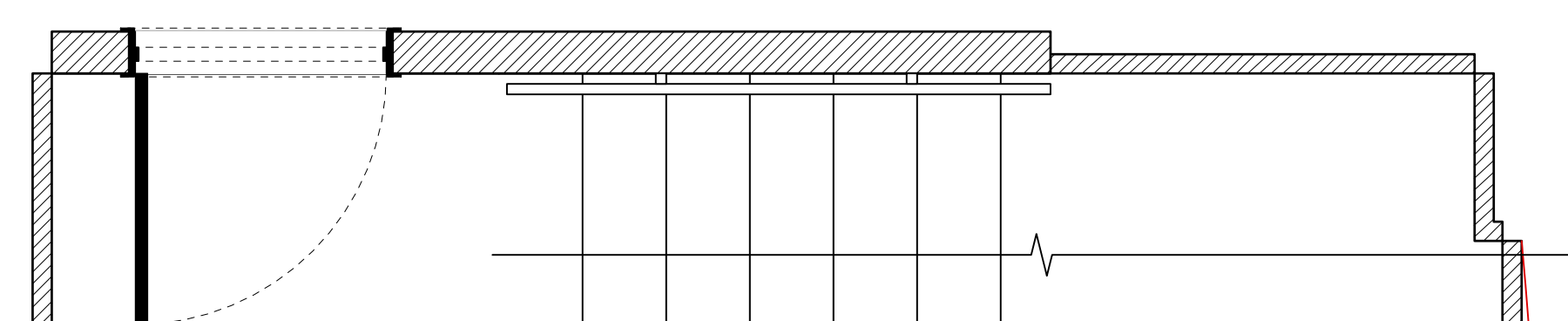
**E UPSTAGE WINDOW PLAN**  
Scale: 1/2" = 1'-0"



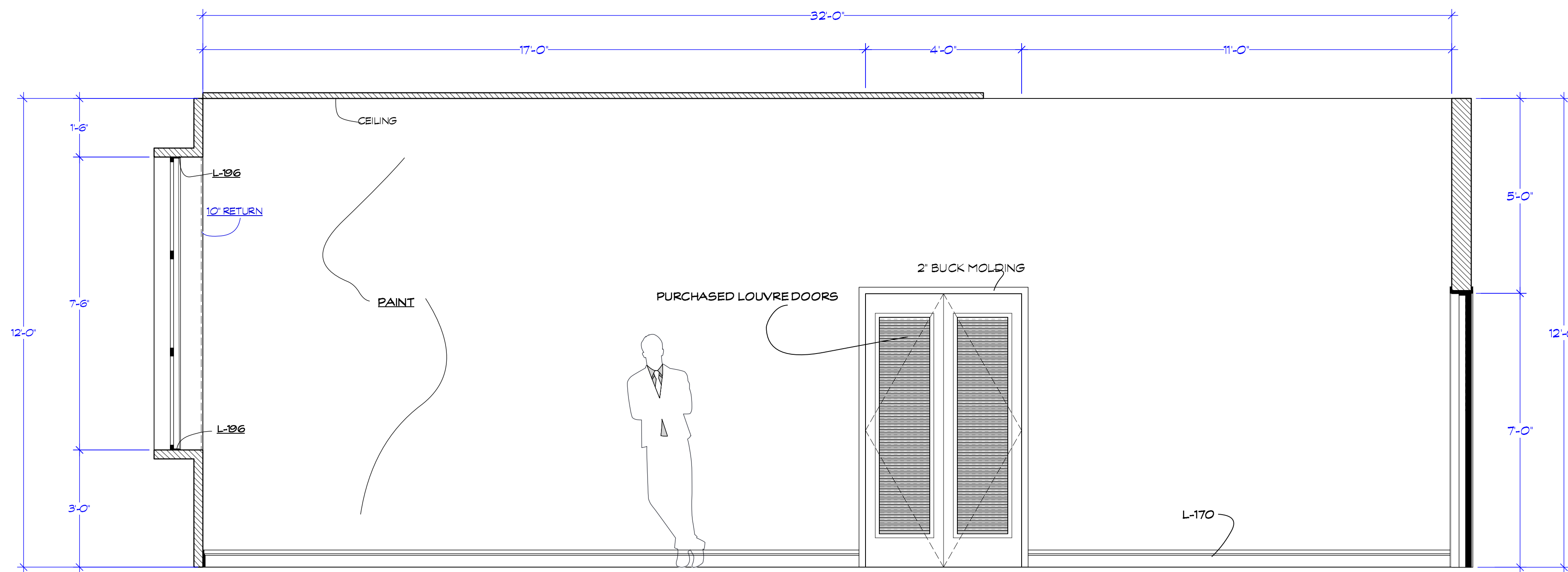
**1 WINDOW DETAIL**  
Scale: 2" = 1'-0"



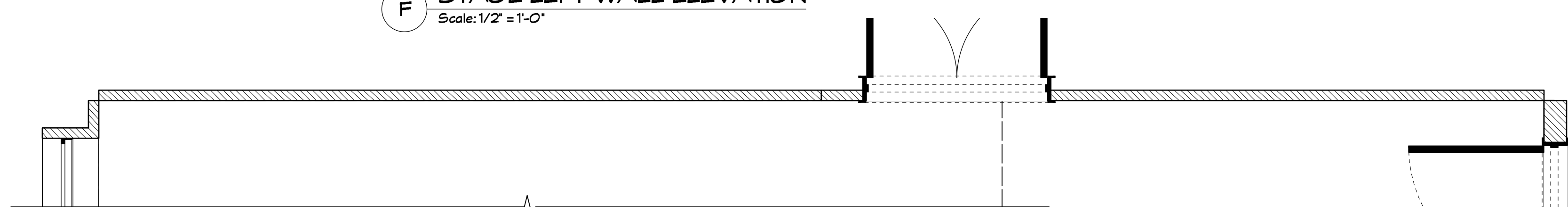
**G BACKING FLAT ELEVATION**  
Scale: 1/2" = 1'-0"



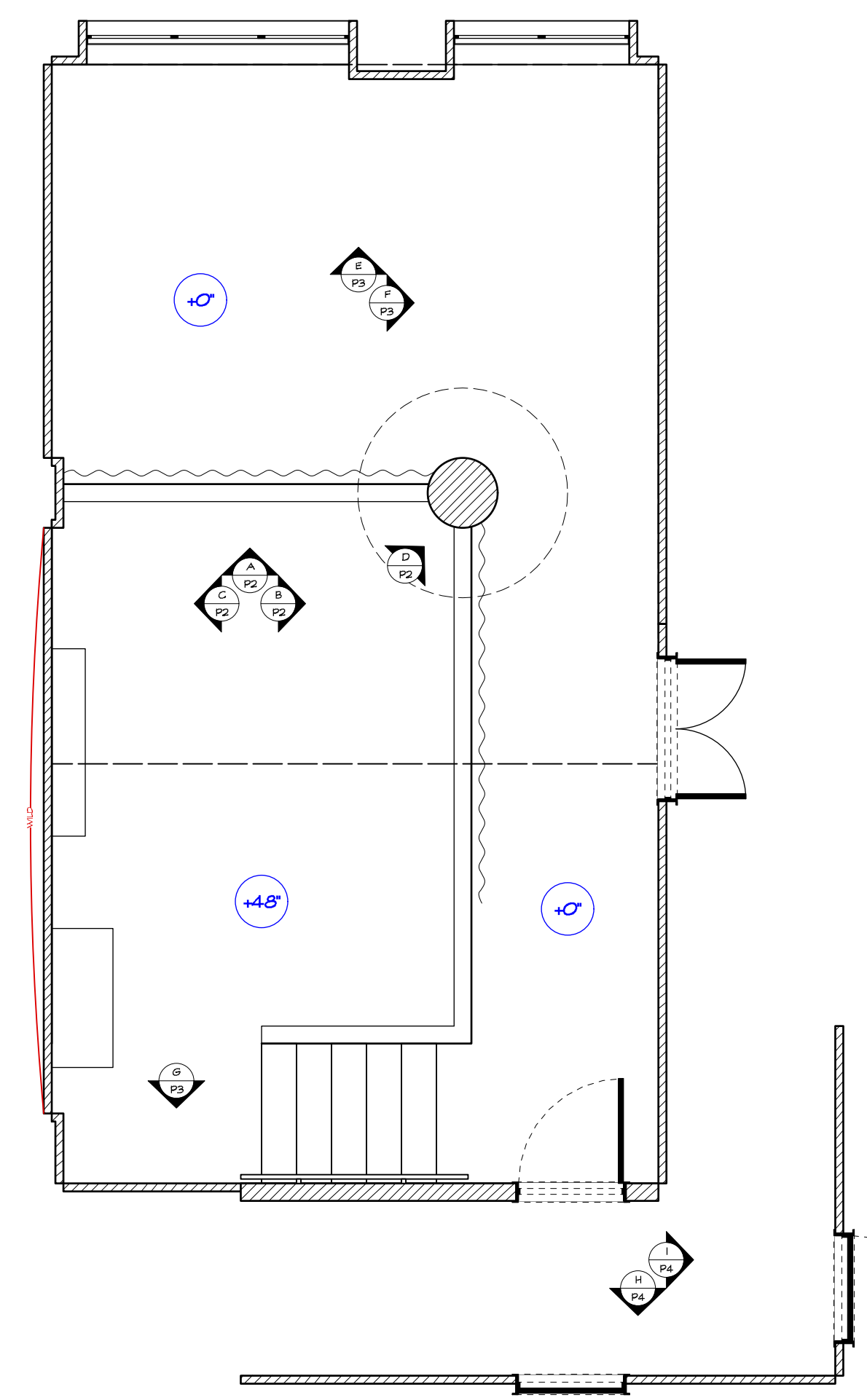
**G BACKING FLAT PLAN**  
Scale: 1/2" = 1'-0"



**F STAGE LEFT WALL ELEVATION**  
Scale: 1/2" = 1'-0"



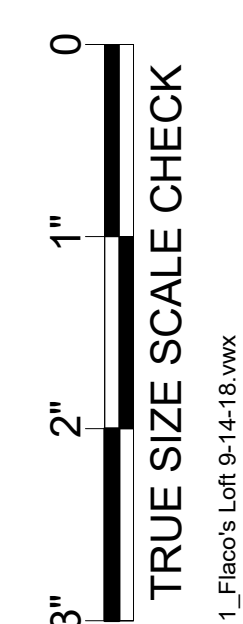
**F STAGE LEFT WALL PLAN**  
Scale: 1/2" = 1'-0"



**REFERENCE PLAN**  
Scale: 1/4" = 1'-0"

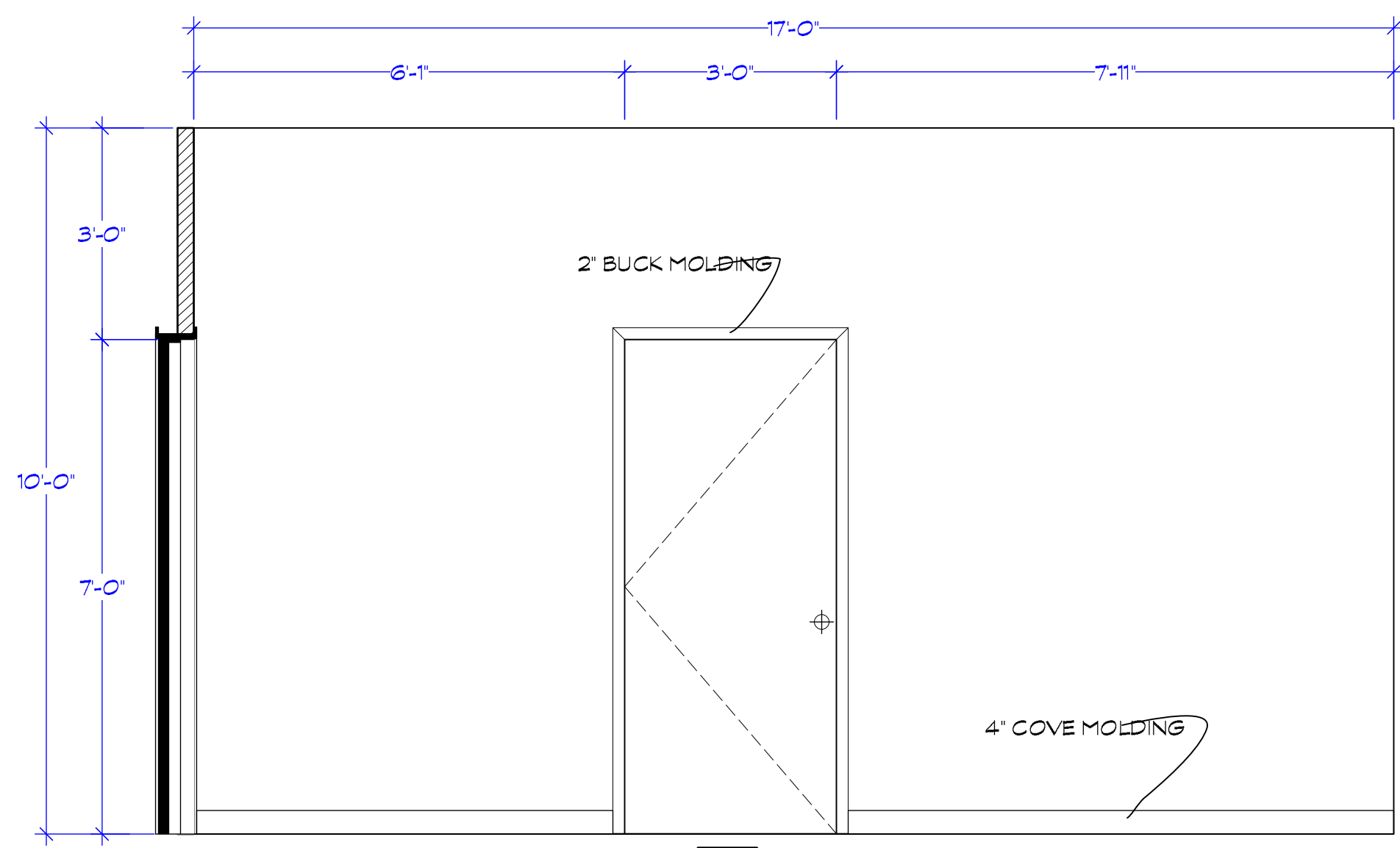
**\*\*\* ADDED UPSTAGE FLATS  
WITH HALL AND DOOR \*\*\***

**REVISED 09/14/2018**



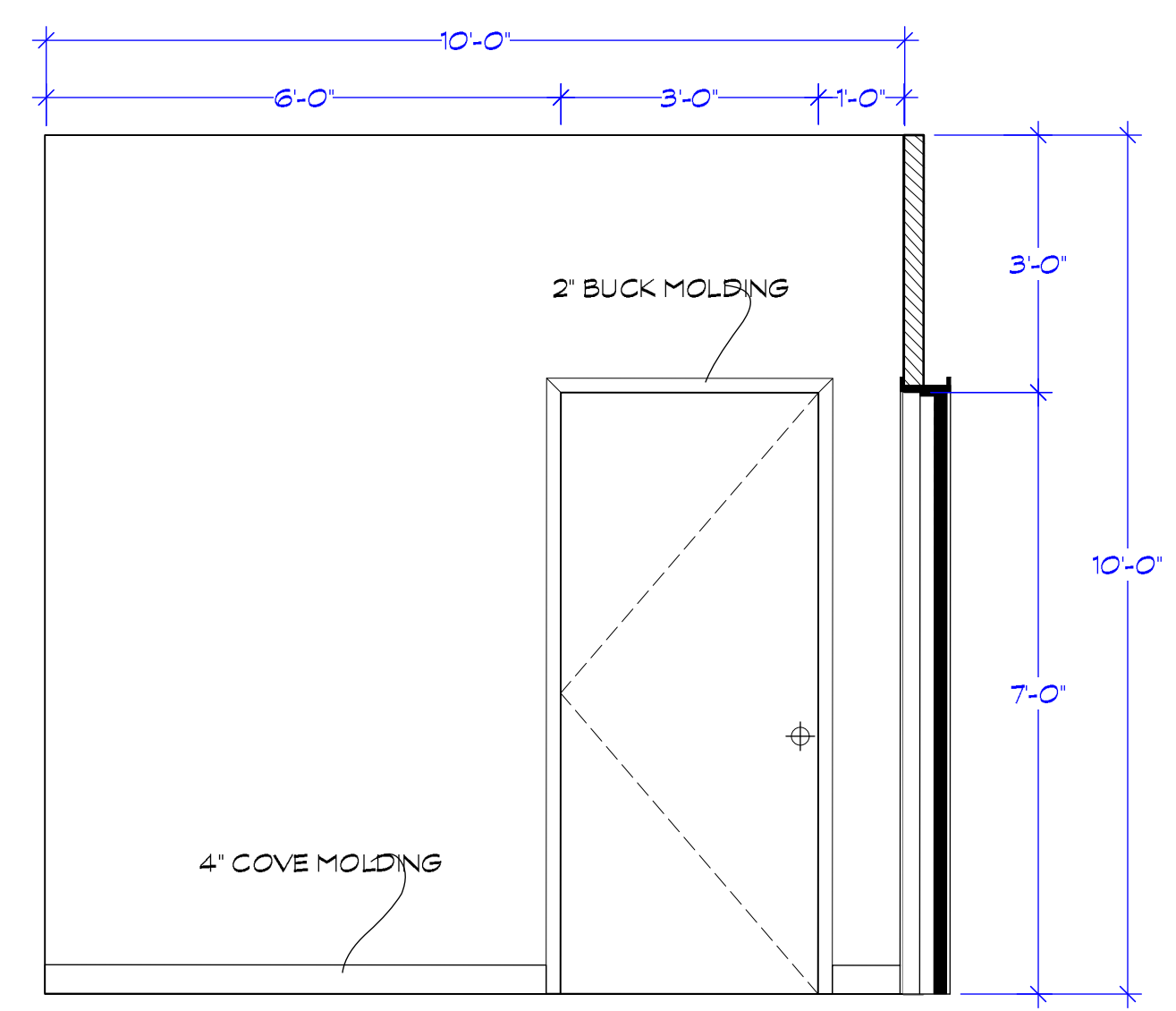
Exec Producer: ALAN POUL Line Producer: GAIL BARRINGER Address: 295 Locust Ave. Bronx, NY 10464 Prod. Designer: LESTER COHEN Set Decorator: KERI LEDERMAN	Exec Producer: UPM: LORI JOHNSON ART Director: JORDAN JACOBS Constr. Coordinator: RAY SAMITZ	Set Name & Description: <b>FLACO'S LOFT BEDROOM ELEVATIONS</b> Director: ALAN POUL Location: <b>STAGE 1</b>	Drawing Date: <b>3/30/2020</b> Drawing by: <b>M. FAHRER</b>	Episode: <b>104</b> Set #: <b>11</b>	Sheet Date: <b>XX/XX/2018</b> Sheet No.: <b>11-3</b>
---	---	--	--	---	---

**NOTED**



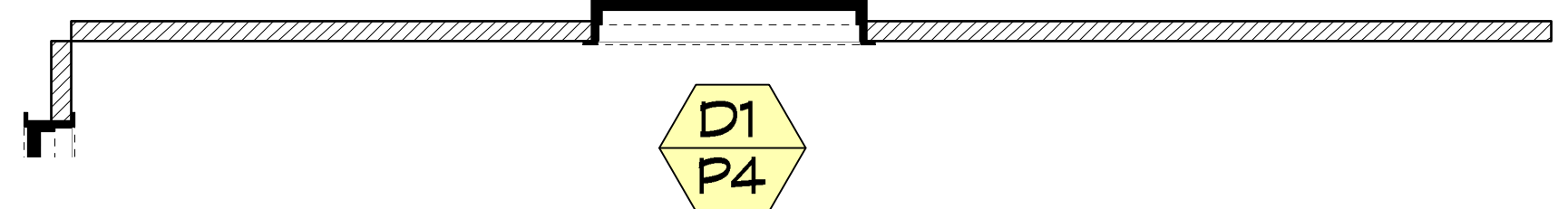
D1  
P4

H HALLWAY H FRONT VIEW  
Scale: 1/2" = 1'-0"



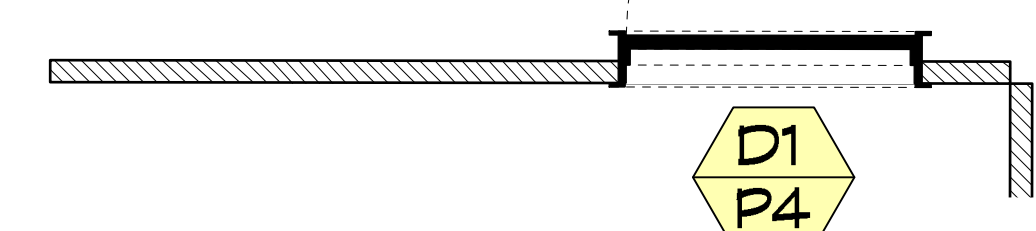
D1  
P4

I HALLWAY I FRONT VIEW  
Scale: 1/2" = 1'-0"



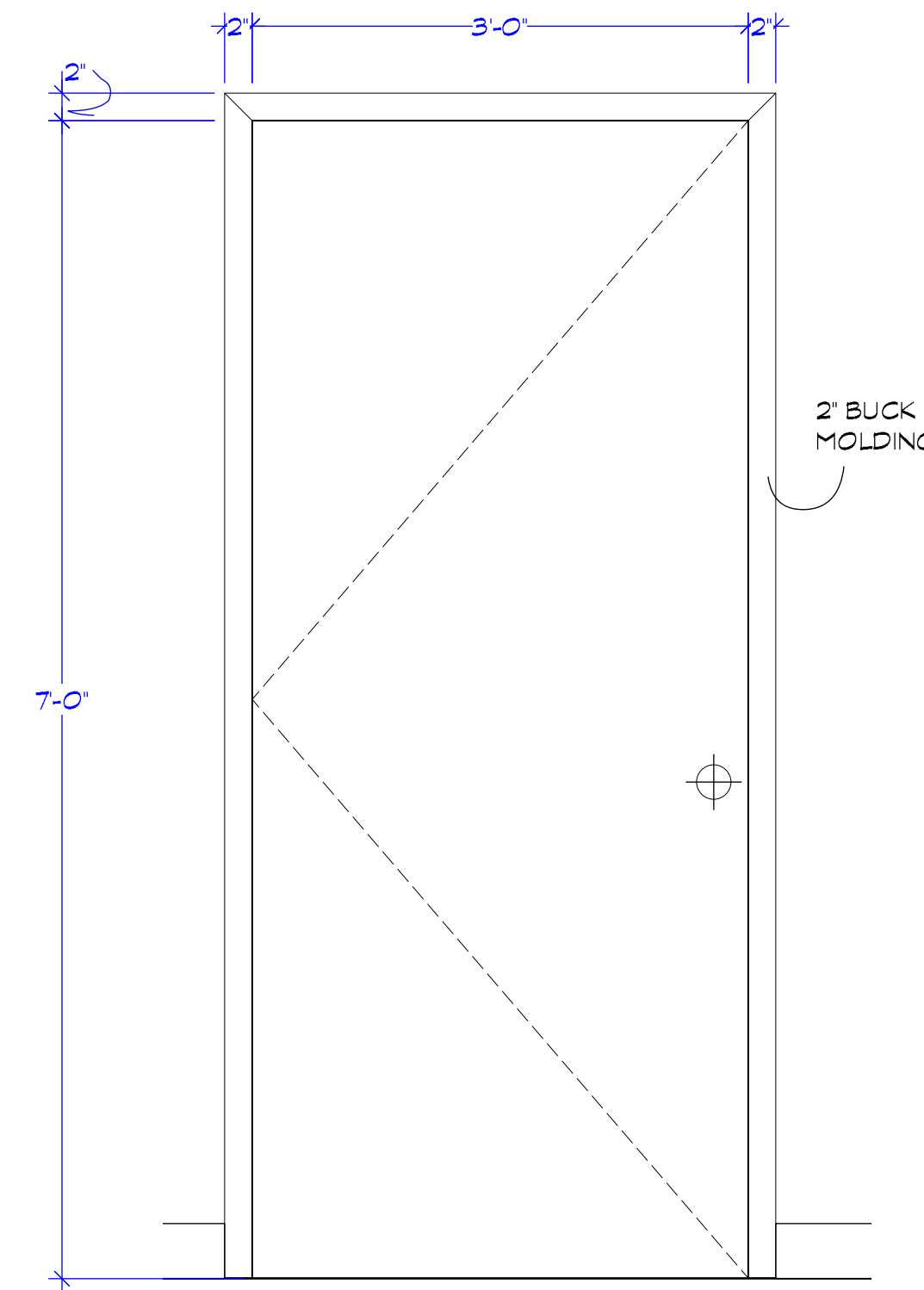
D1  
P4

HALLWAY H PLAN  
Scale: 1/2" = 1'-0"

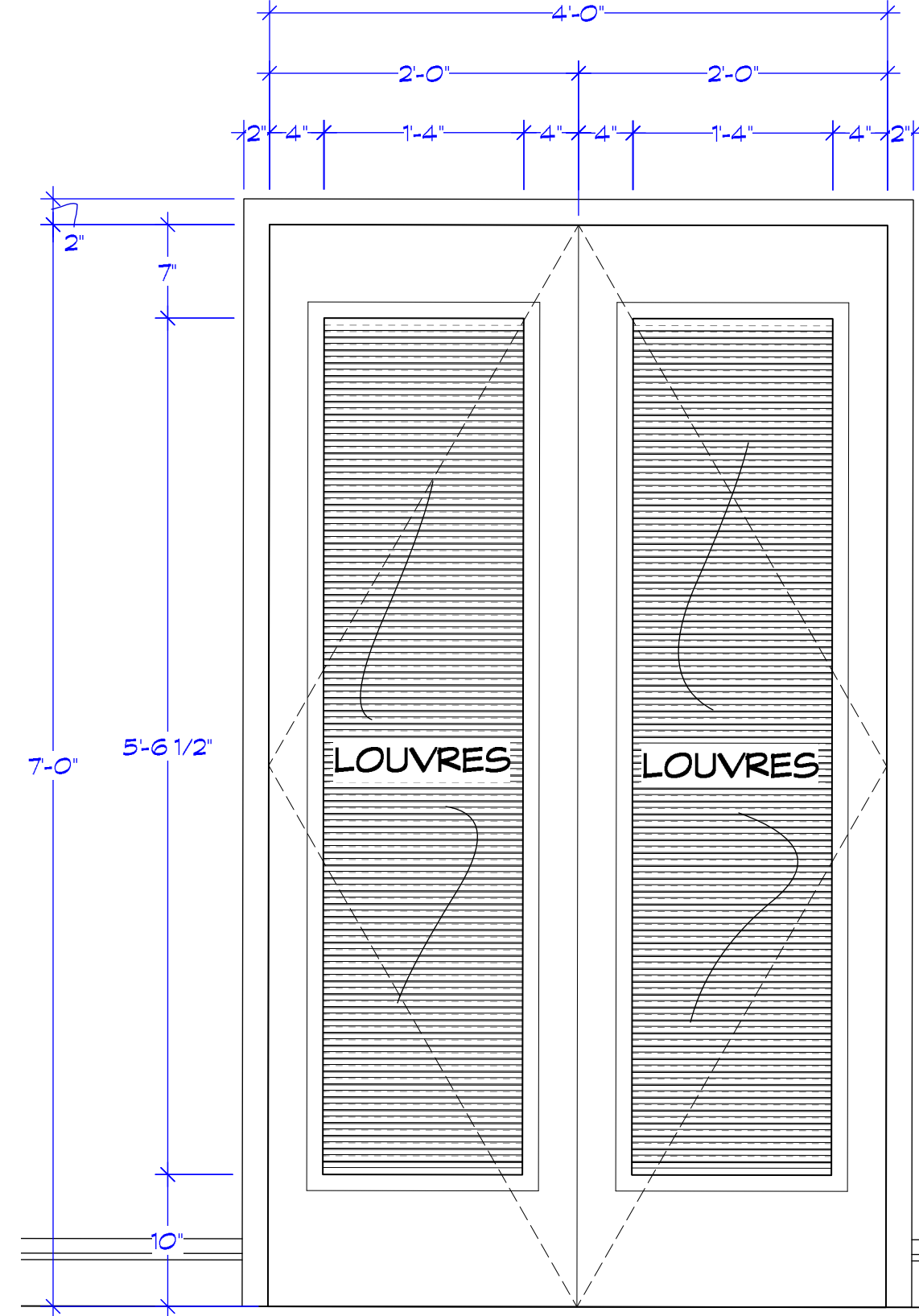
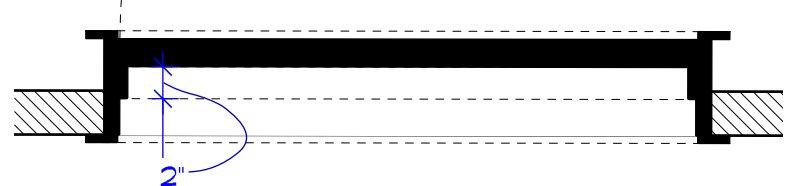


D1  
P4

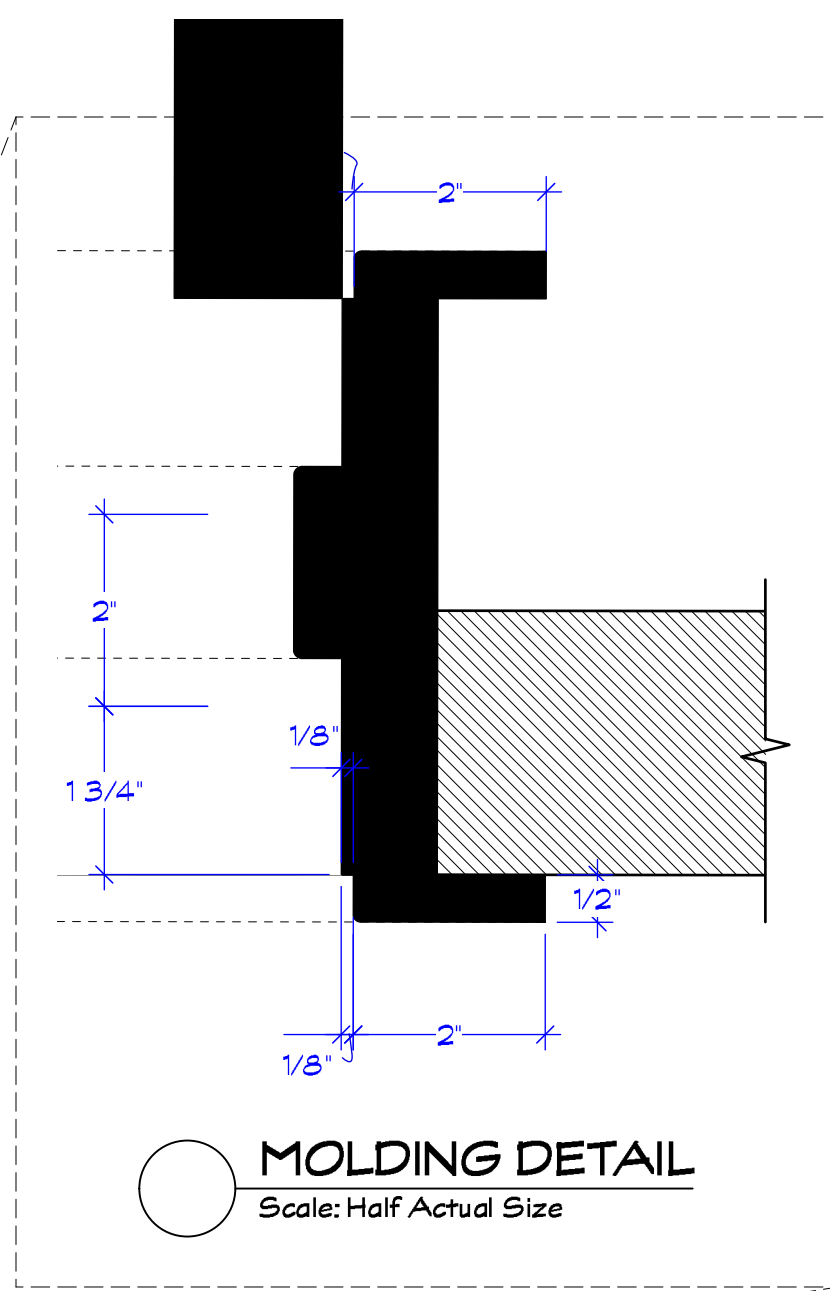
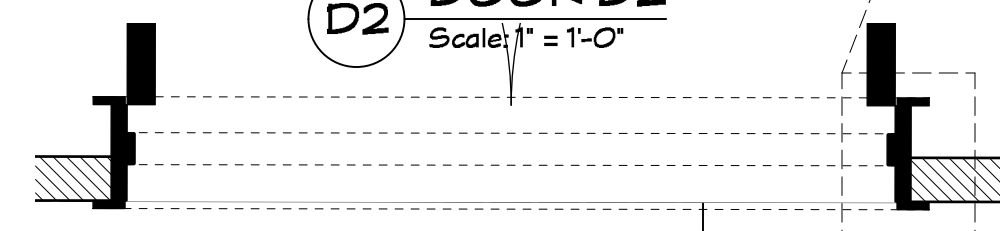
HALLWAY I PLAN  
Scale: 1/2" = 1'-0"



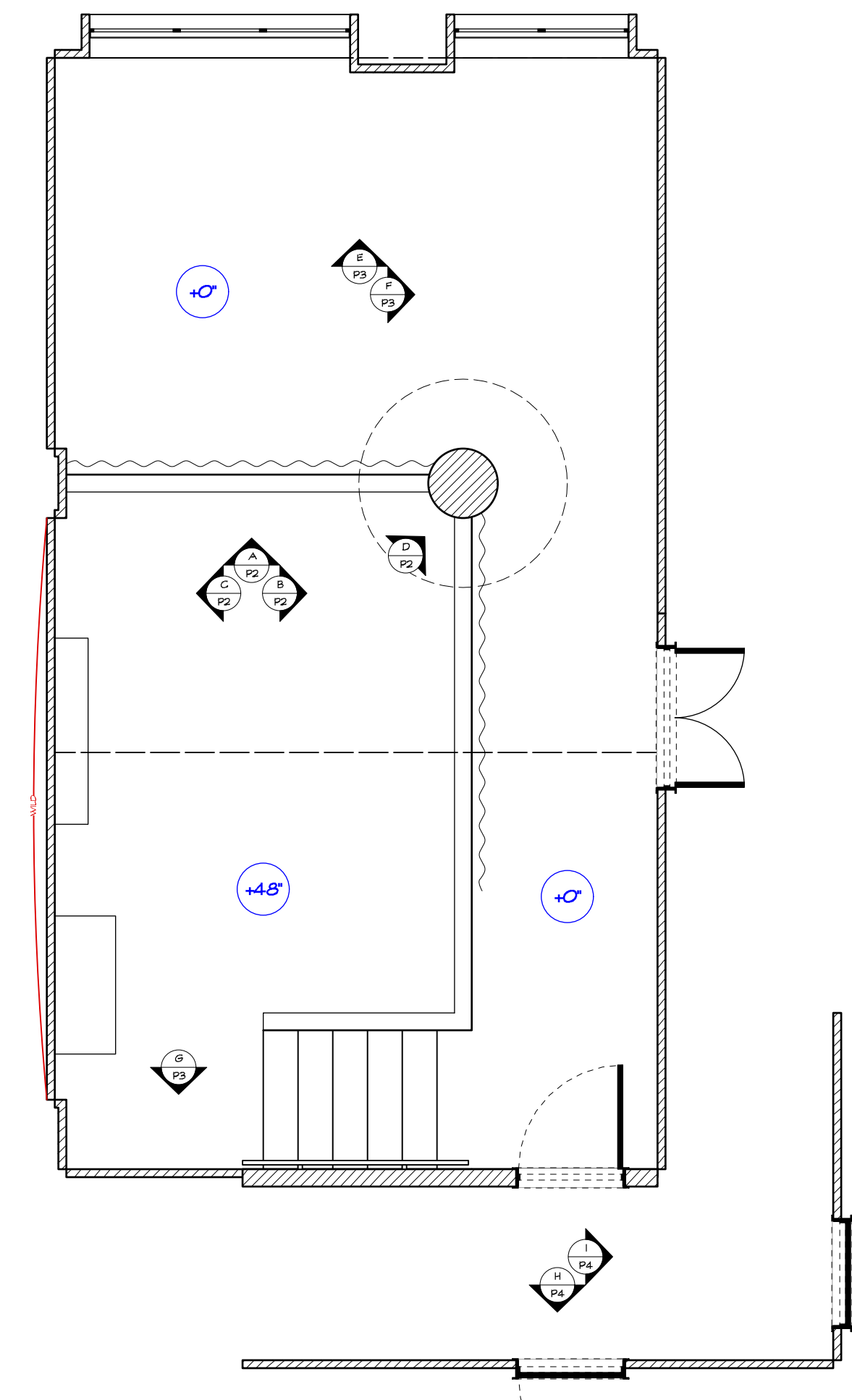
D1 DOOR D1  
Scale: 1" = 1'-0"



D2 DOOR D2  
Scale: 1" = 1'-0"



MOLDING DETAIL  
Scale: Half Actual Size



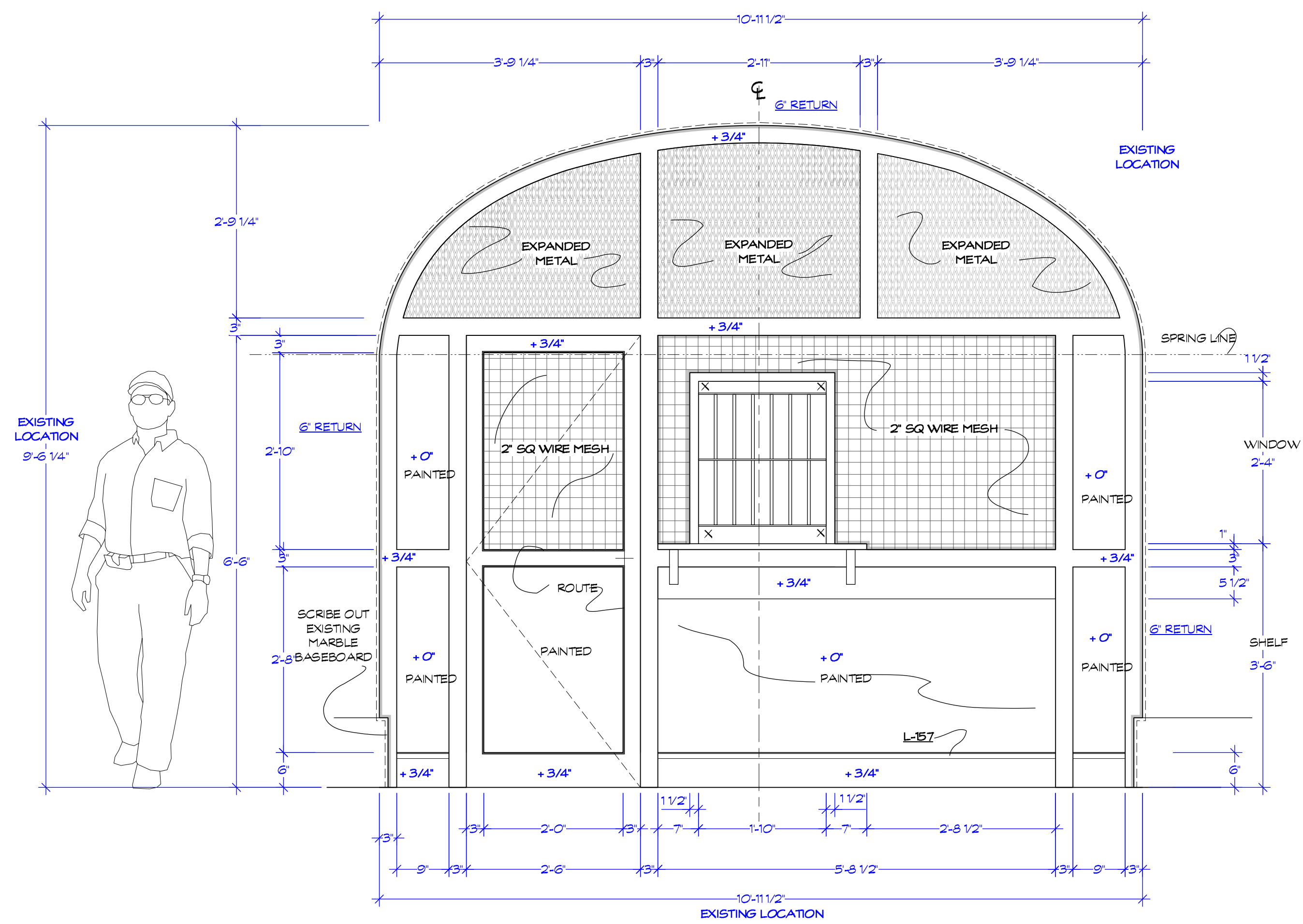
REFERENCE PLAN  
Scale: 1/4" = 1'-0"



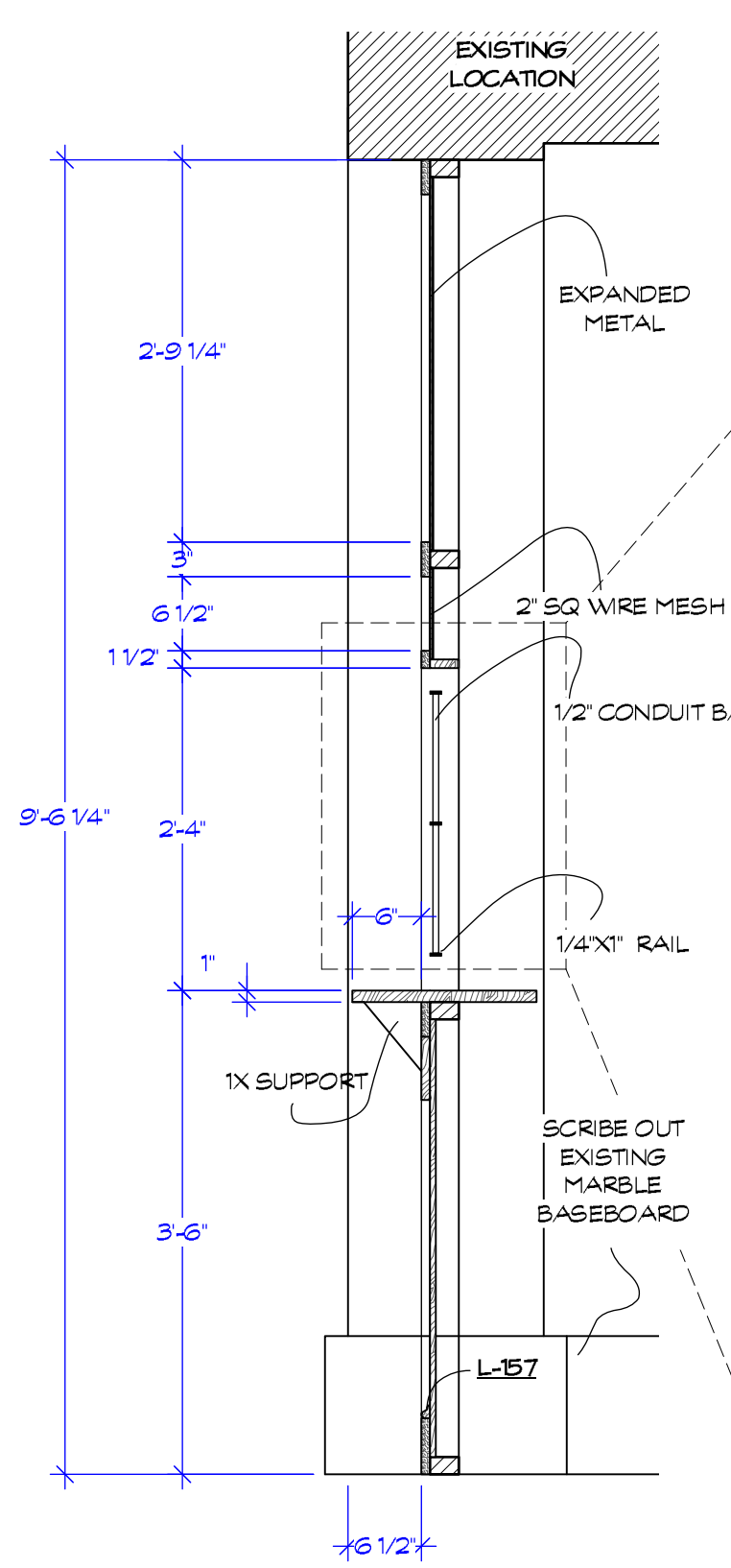
**\*\*\* ADDED UPSTAGE FLATS  
WITH HALL AND DOOR\*\*\*  
RELEASED 09/14/2018**

Exec Producer: ALAN POUL Line Producer: GAIL BARRINGER Address: 295 Locust Ave. Bronx, NY 10454	Exec Producer: UPM: LORI JOHNSON Art Director: JORDAN JACOBS Constr. Coordinator: RAY SAMITZ	Set Name & Description: <b>FLACO'S LOFT BEDROOM ELEVATION</b>	Episode: <b>104</b>	Drawing Date: <b>3/30/2020</b>	Drawn by: <b>M. FAHRER</b>
Prod. Designer: LESTER COHEN Set Designer: KERI LEDERMAN	Director: ALAN POUL Location: <b>STAGE 1</b>	Set #: <b>11</b>	Shoot Date: <b>TBD</b>	Scale: <b>NOTED</b>	Sheet No.: <b>11-04</b>

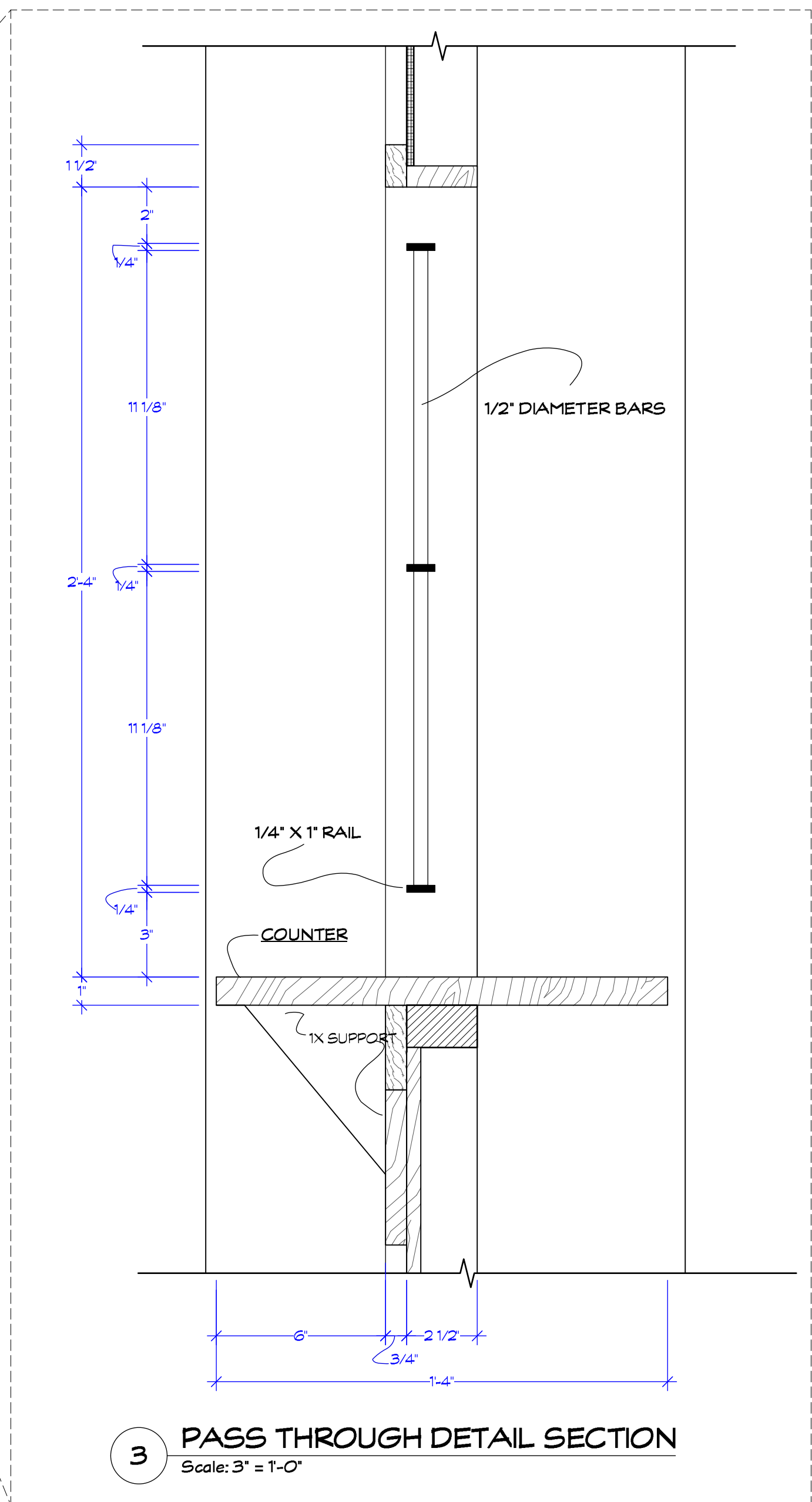




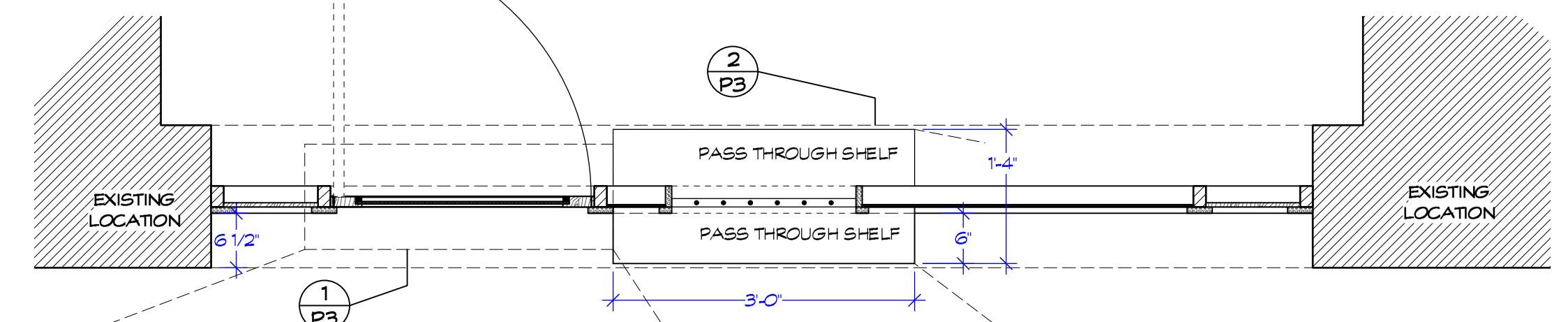
A RECEPTION FRONT ELEVATION  
Scale: 3/4" = 1'-0"



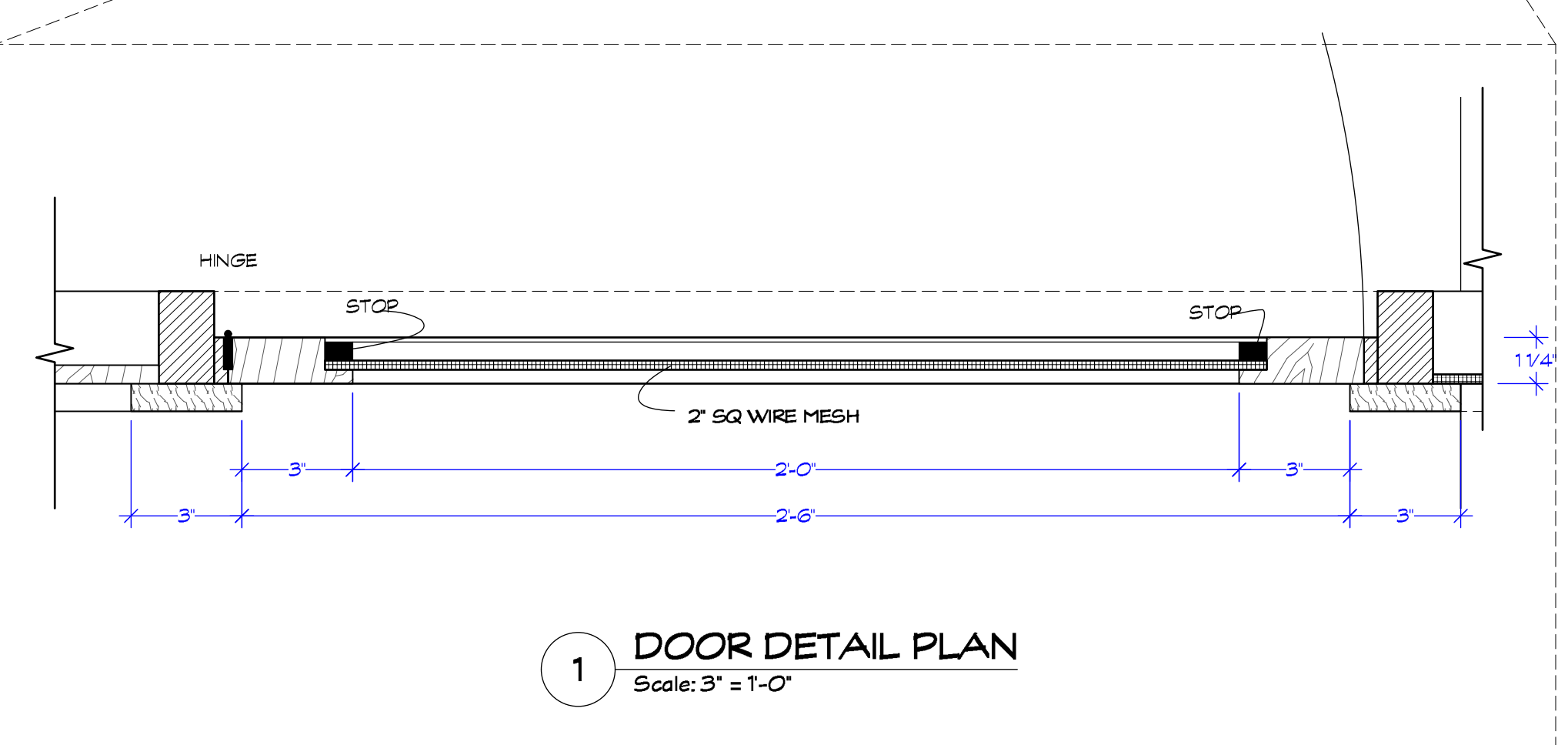
CL SECTION AT CENTERLINE  
Scale: 3/4" = 1'-0"



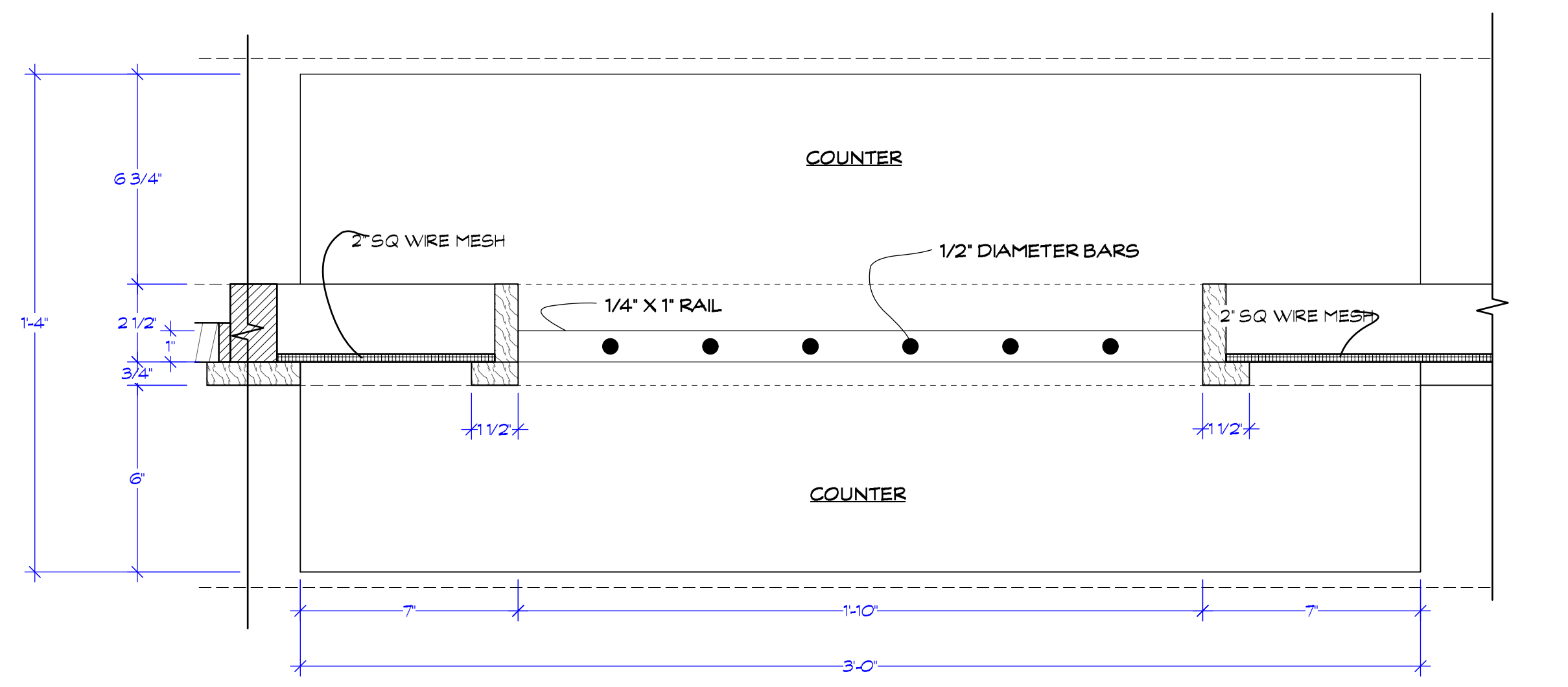
3 PASS THROUGH DETAIL SECTION  
Scale: 3" = 1'-0"



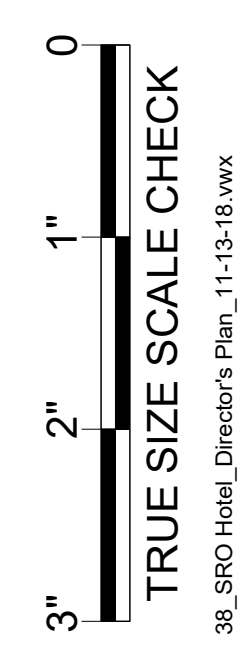
RECEPTION FRONT PLAN  
Scale: 3/4" = 1'-0"



1 DOOR DETAIL PLAN  
Scale: 3" = 1'-0"

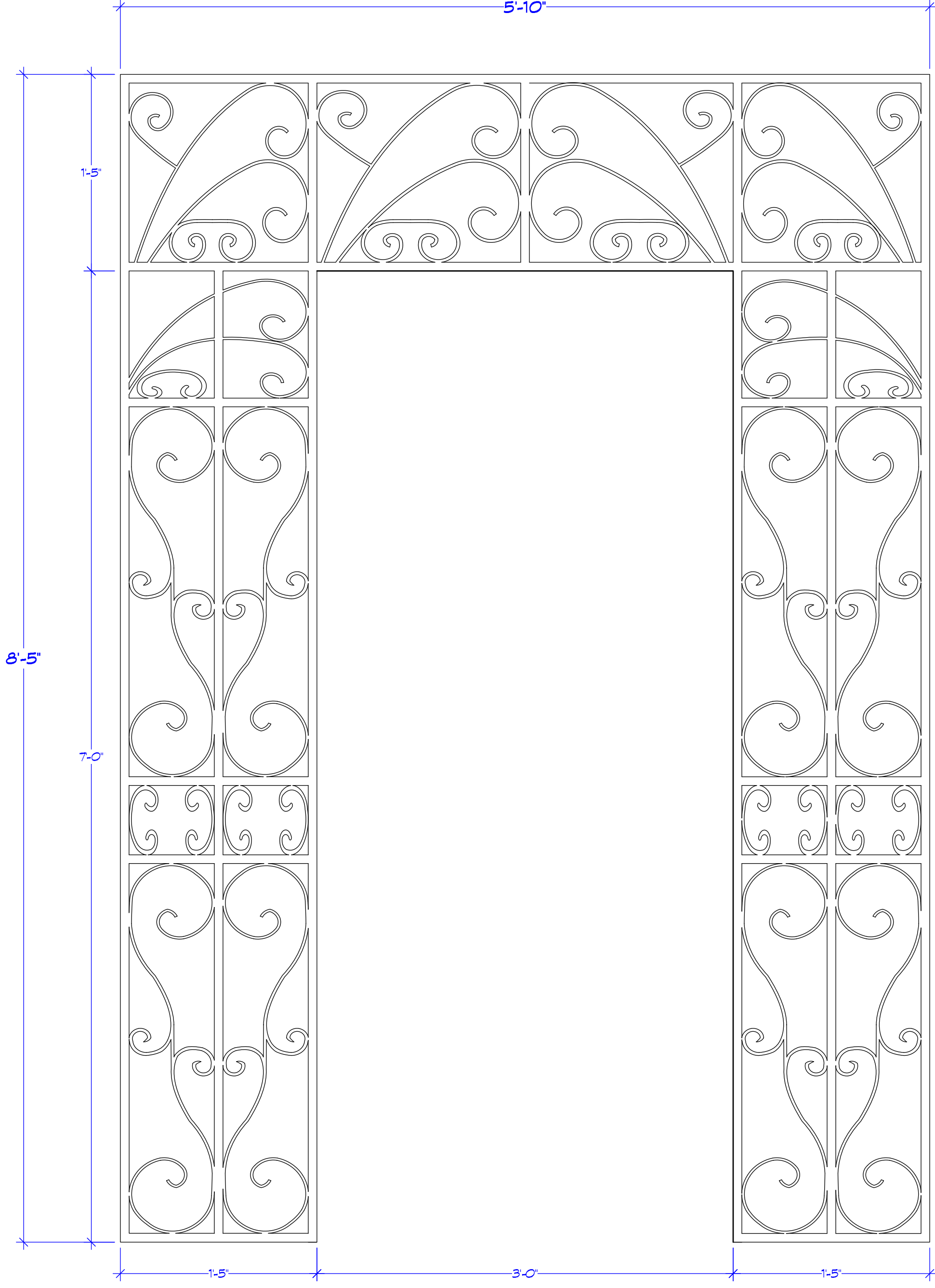
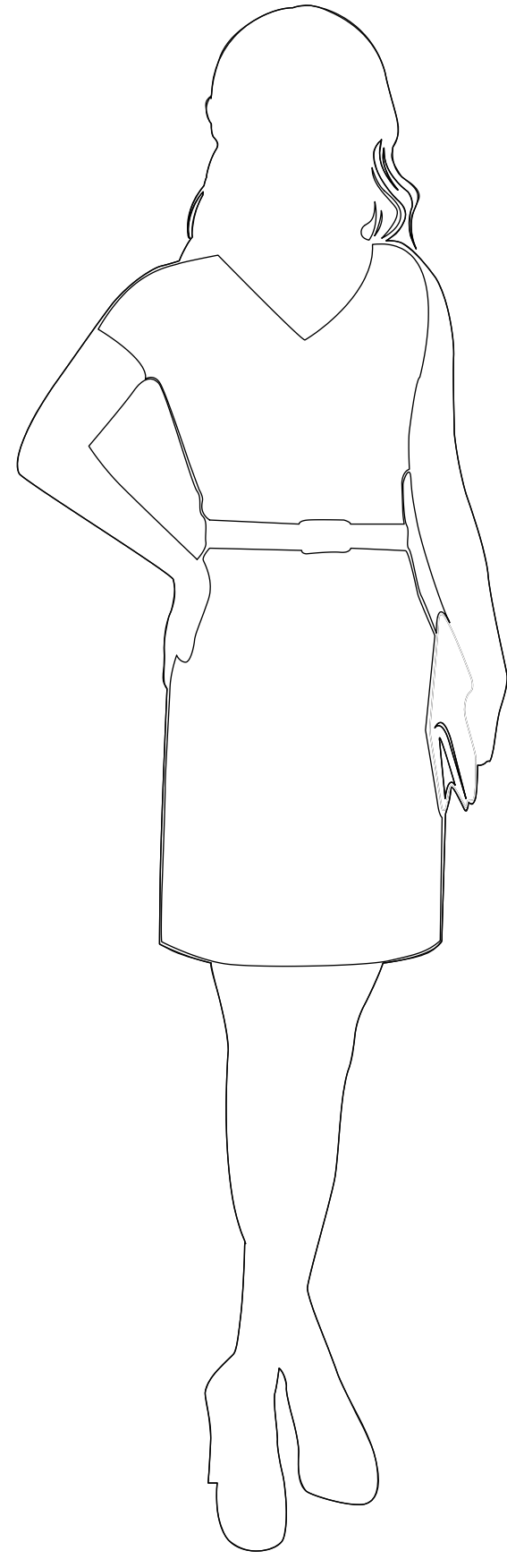


2 PASS THROUGH DETAIL PLAN  
Scale: 3" = 1'-0"



TRUE SIZE SCALE CHECK

38\_SRO\_Hall\_Director's Plan\_11-13-18.rvt



○ SRO FRONT DOOR SCROLL WORK  
Scale: 1/2" = 1'-0"



TRUE SIZE SCALE CHECK

38\_SRO\_Hotel\_Director's Plan\_11-13-18.rvt

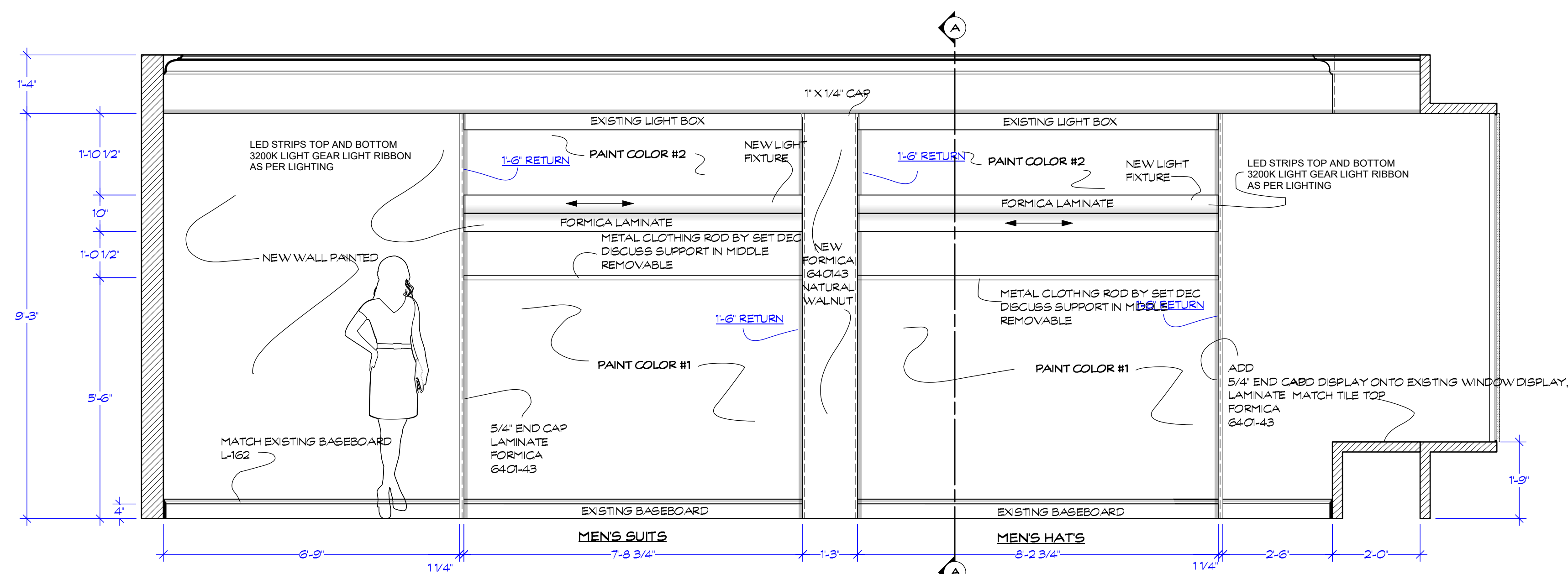


Exec Producer: ALAN POUL  
Line Producer: GAIL BARRINGER  
Address: 295 Locust Ave. Bronx, NY 10454  
Prod. Designer: LESTER COHEN  
Set Decorator: KERI LEDERMAN  
Exec Producer: UPM: LORI JOHNSON  
ART Director: JORDAN JACOBS  
Constr. Coordinator: RAY SAMITZ

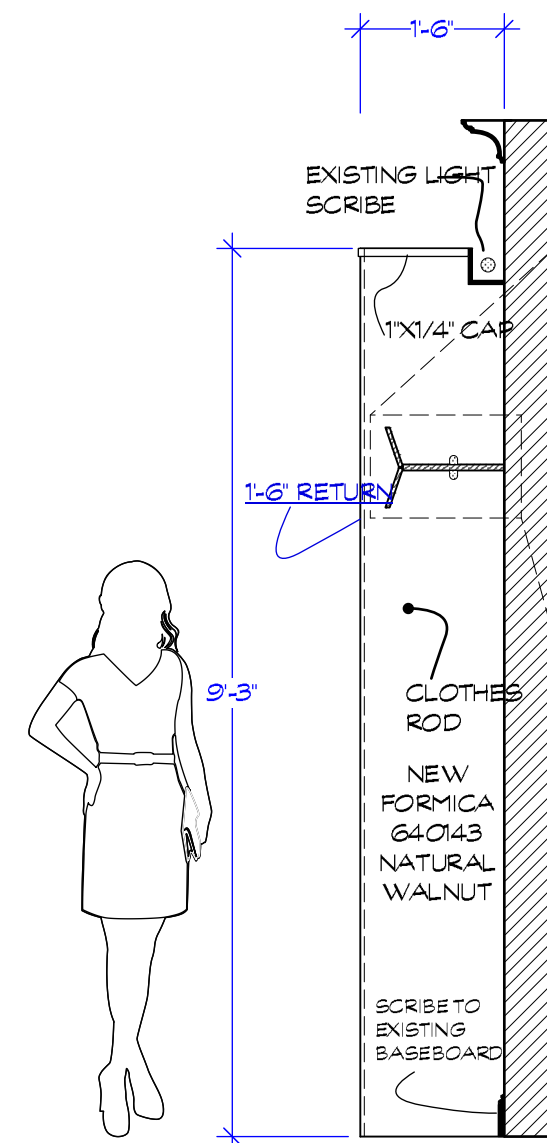
Set Name & Description: **SRO FRONT DOOR SINTRA ELEVATION**  
Director: ALAN POUL  
Location:

Episode: **XXX**  
Set #: **38**  
Scale: **NOTED**  
Drawing Date: **3/30/2020**  
Shoot Date: **TBD**  
Drawn by: **M. FAHRER**  
Sheet No.: **38-01** (of Total)

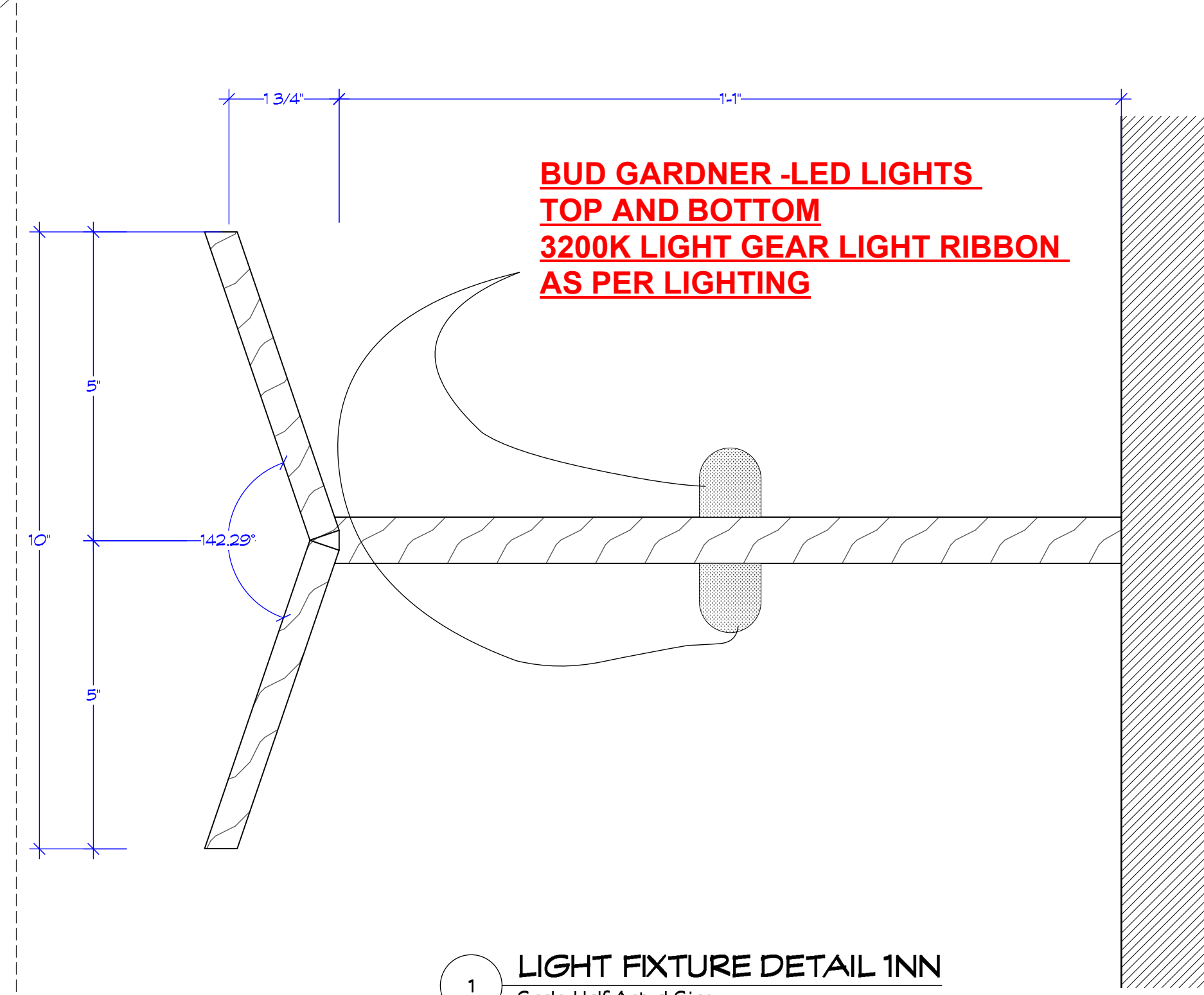
**RELEASED 11/09/2018**



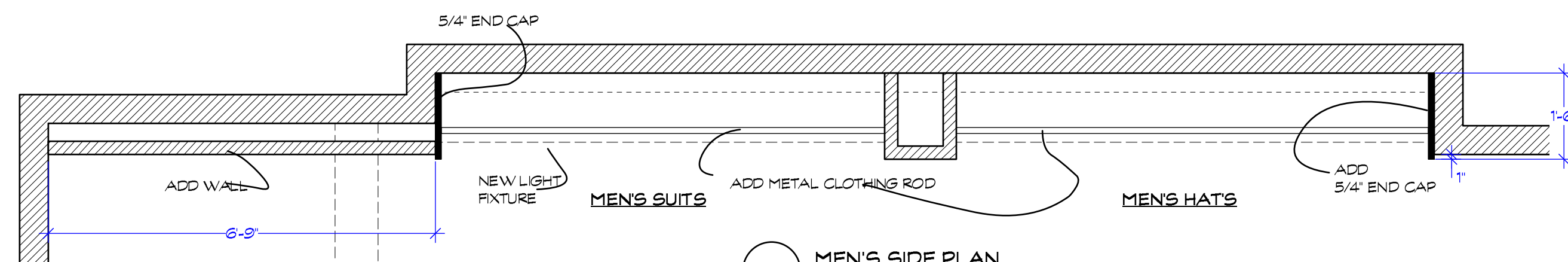
**A MEN'S SIDE DRESS SHOP**  
Scale: 1/2" = 1'-0"



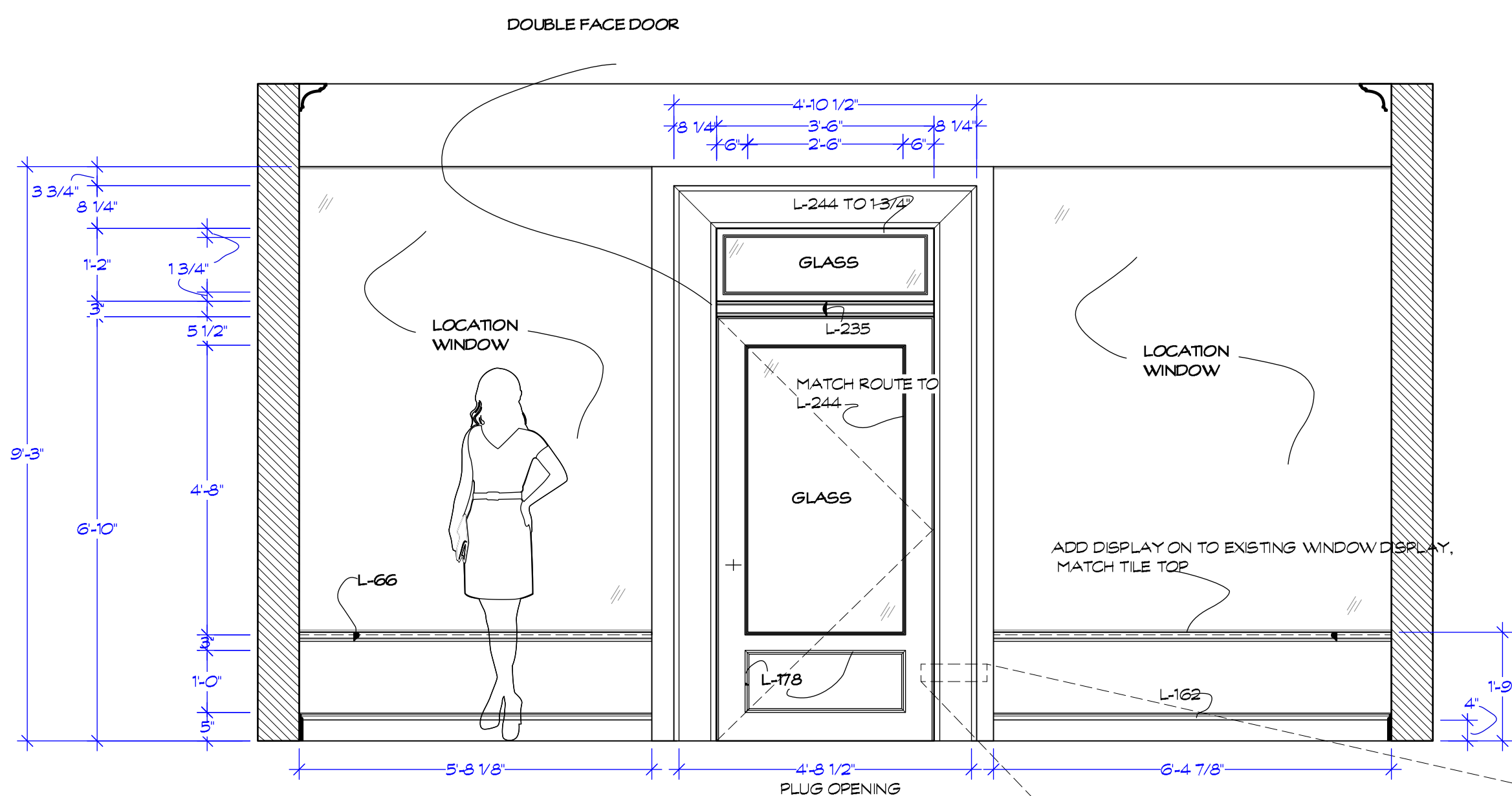
**A-A SECTION A-A**  
Scale: 1/2" = 1'-0"



**1 LIGHT FIXTURE DETAIL 1NN**  
Scale: Half Actual Size



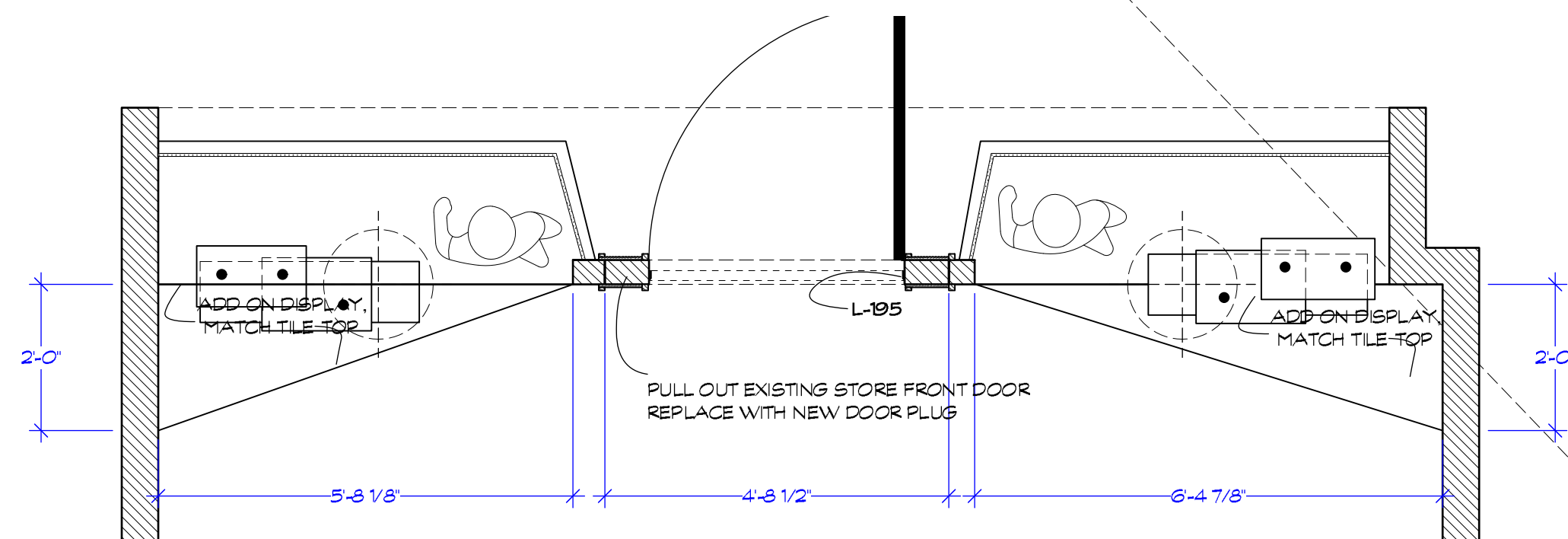
**MEN'S SIDE PLAN**  
Scale: 1/2" = 1'-0"



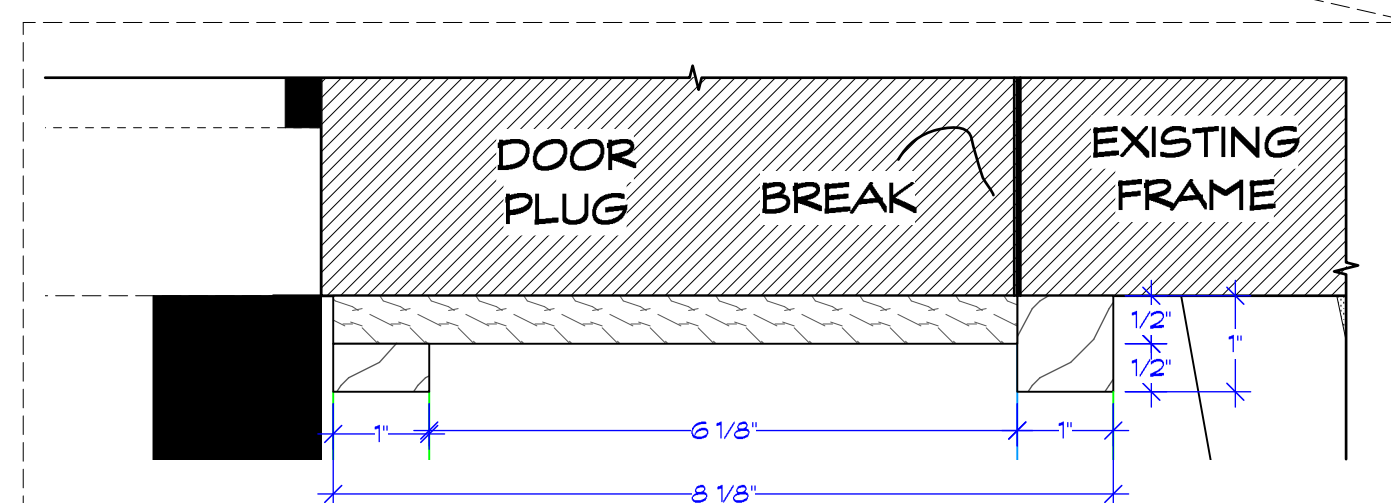
**B DOOR ELEVATION**  
Scale: 1/2" = 1'-0"



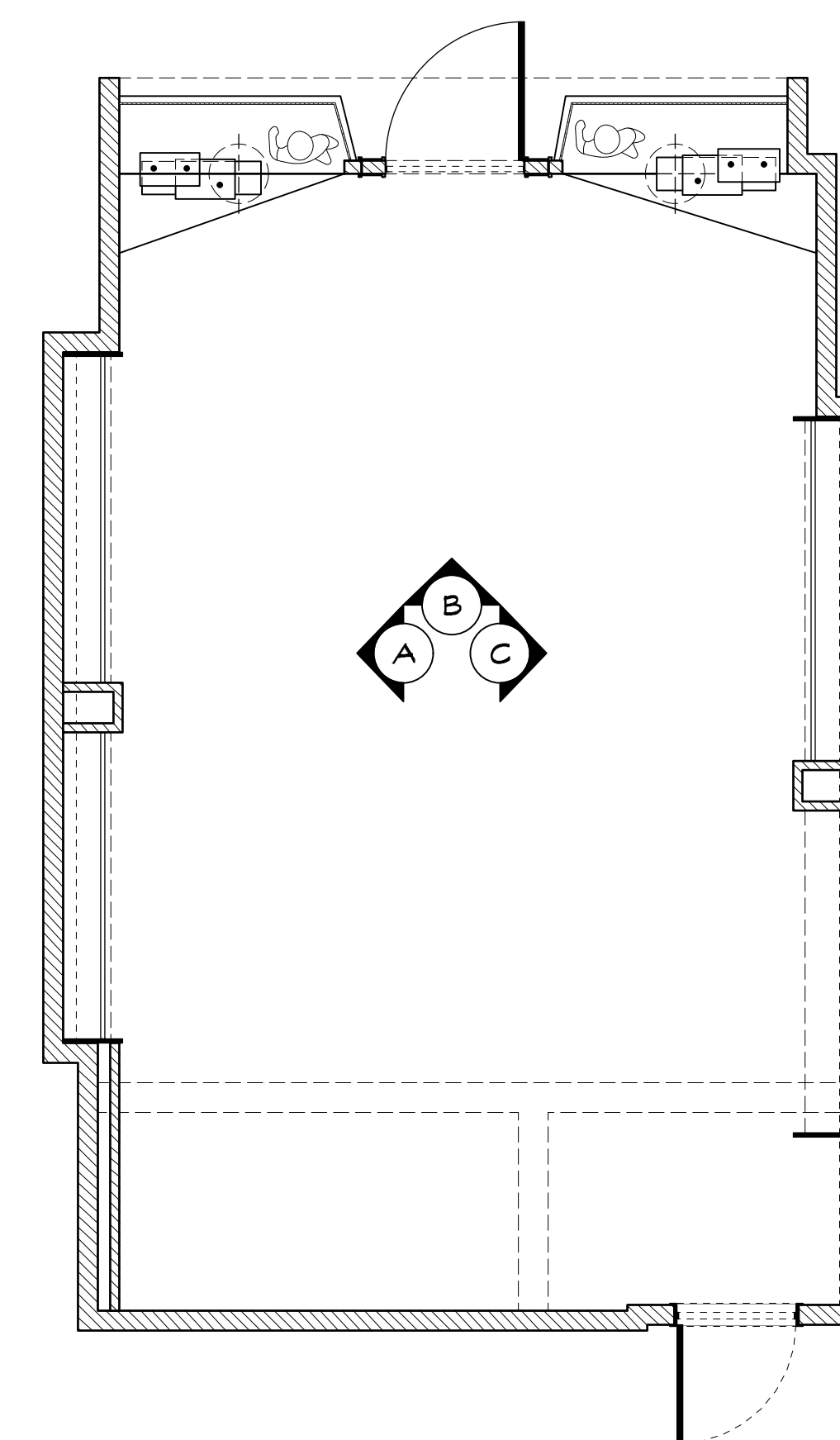
**LOCATION PHOTO EXISTING DOOR**



**DOOR PLAN**  
Scale: 1/2" = 1'-0"



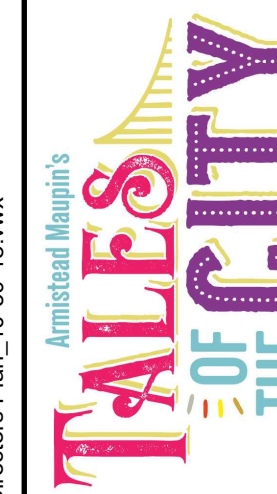
**2 CASING DETAIL 2**  
Scale: Half Actual Size



**REFERENCE PLAN**  
Scale: 1/4" = 1'-0"

NOTE FORMICA LAMINATE:  
CHOICE A - 6401-43 NATURAL WALNUT ARTISAN FINISH  
CHOICE B - 5883-58 PECAN WOODLINE ARTISAN FINISH

3" 2" 1" 0  
TRUE SIZE SCALE CHECK  
95\_Dress Shop SL\_Directors Plan\_10-30-18.rvt



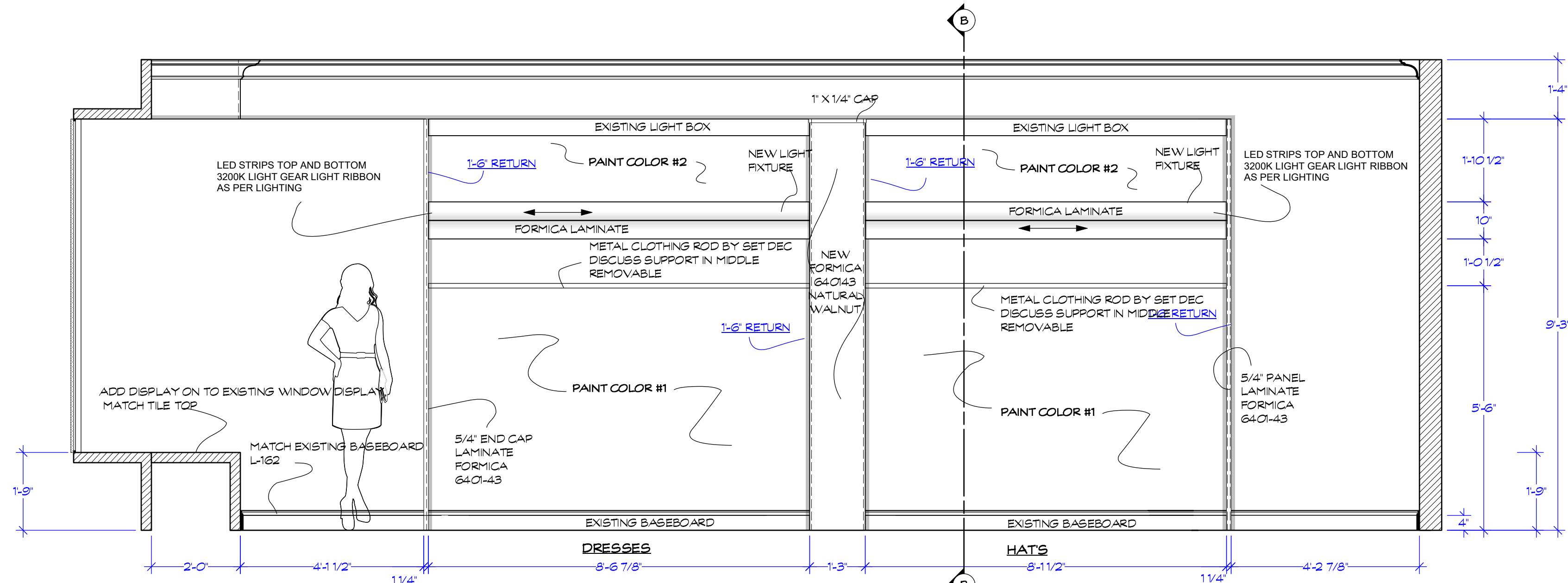
Exec Producer: ALAN POUL  
Line Producer: GAIL BARRINGER  
Address: 295 Locust Ave. Bronx, NY 10454  
Prod. Designer: LESTER COHEN  
Set Decorator: KERI LEDERMAN

Set Name & Description: DRESS SHOP ELEVATIONS  
Director: ALAN POUL  
Location: WASHBURTON AVE & MAIN ST 10706

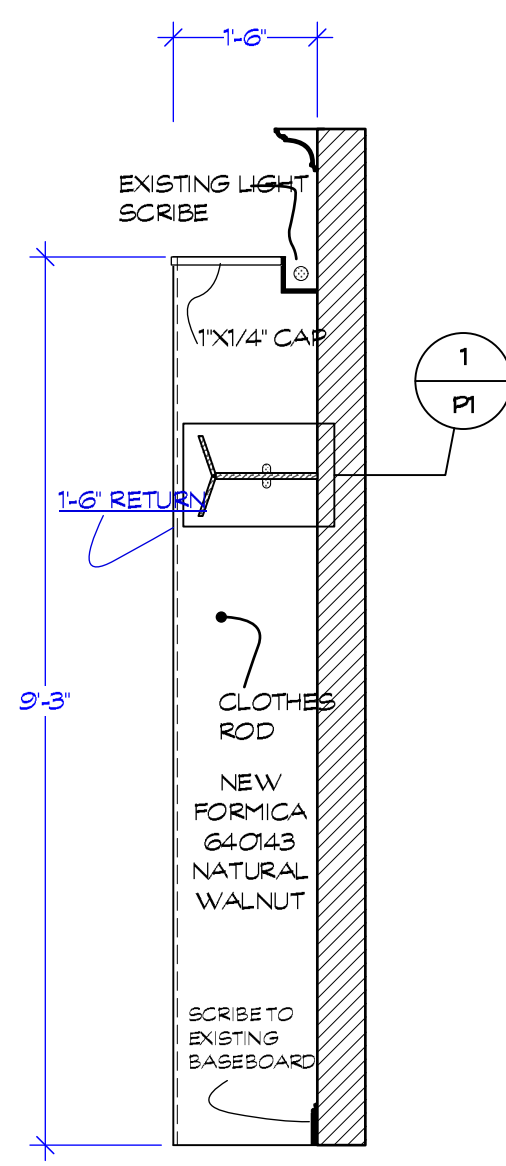
Episode: XXX  
Set #: 95  
Scale: NOTED

Released Date: 10/17/2018  
Drawing Date: 3/30/2020  
Drawn by: M. FAHRER  
Sheet No.: 95-1  
Of: Total





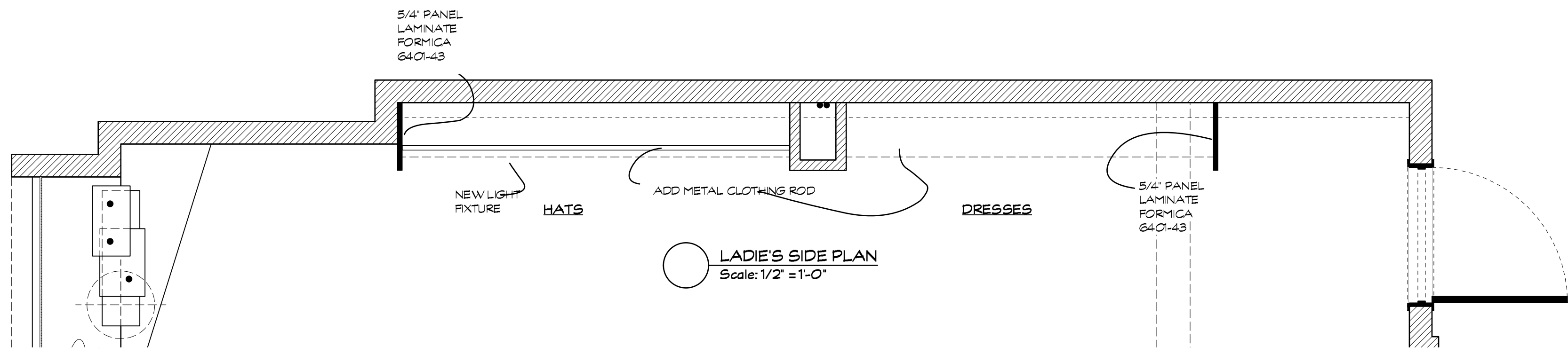
**C LADIE'S SIDE DRESS SHOP**  
Scale: 1/2" = 1'-0"



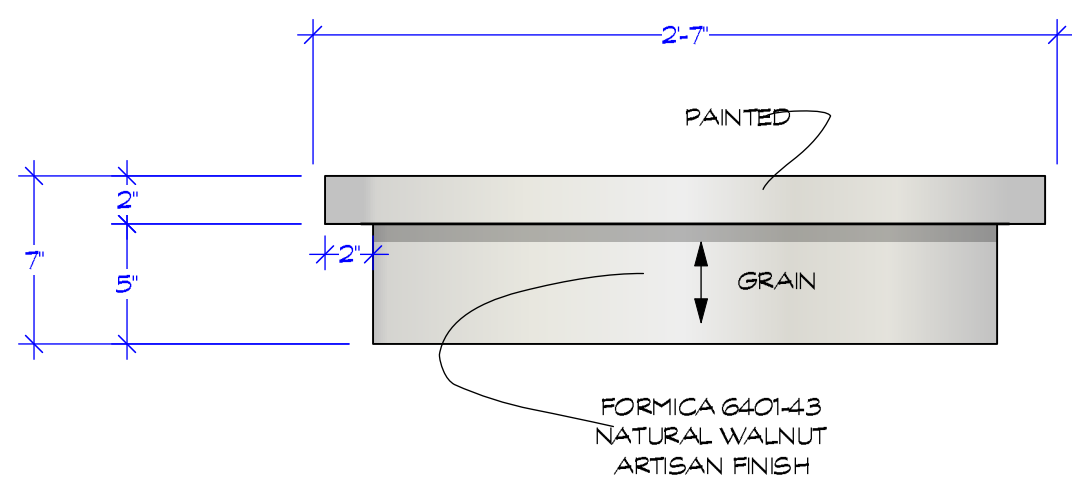
**B-B SECTION B-B**  
Scale: 1/2" = 1'-0"



**LOCATION PHOTO**



**LADIE'S SIDE PLAN**  
Scale: 1/2" = 1'-0"

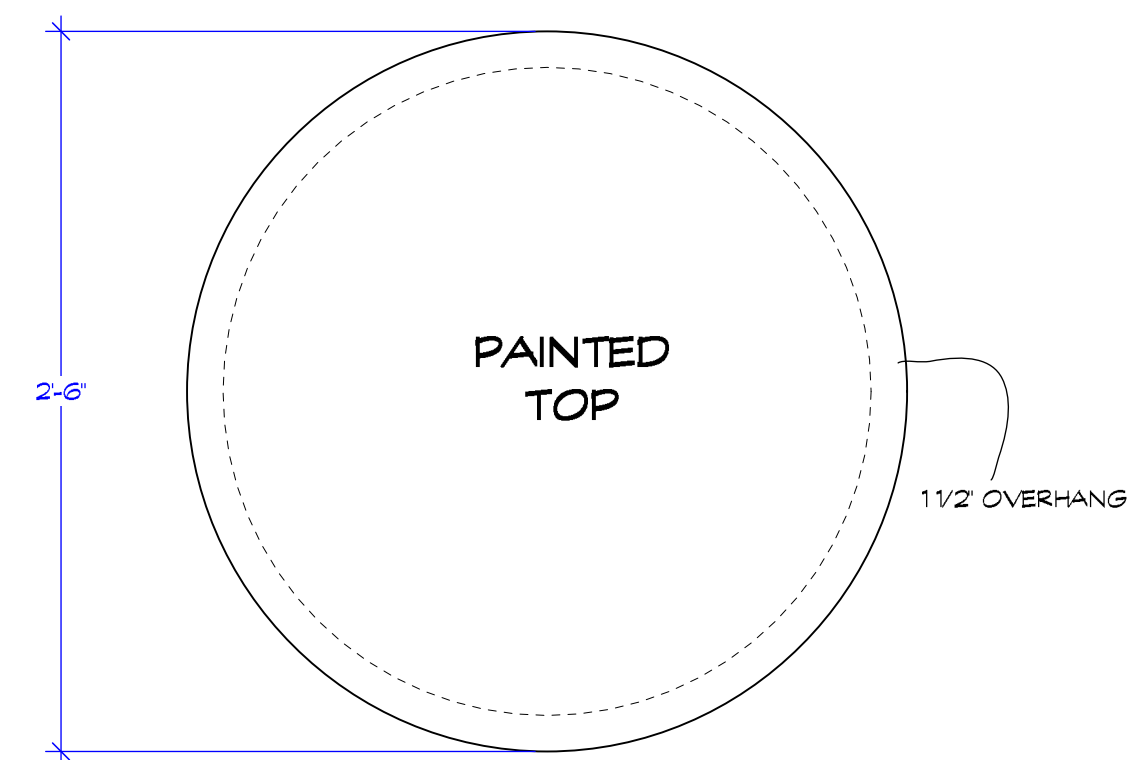


**MANNEQUIN STAND FRONT - BUILD 2**  
Scale: 1 1/2" = 1'-0"

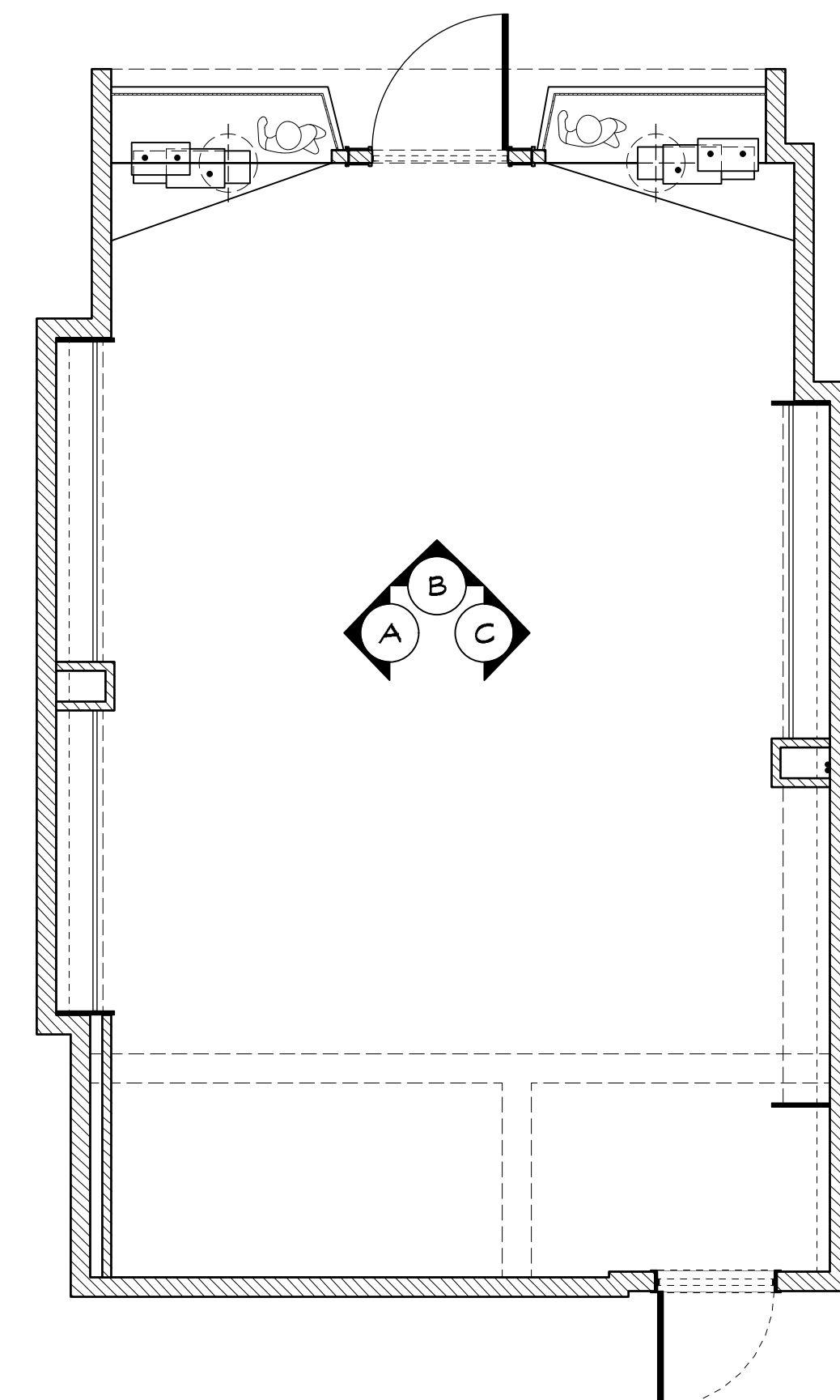
**MAKE 2 !!!!**



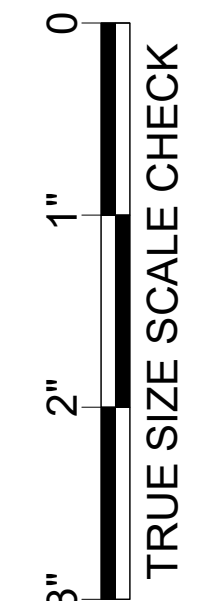
**REFERENCE PHOTO**



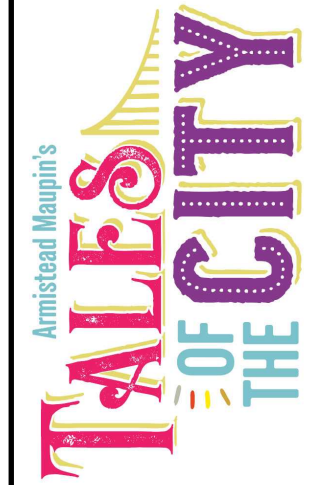
**MANNEQUIN STAND TOP - BUILD 2**  
Scale: 1 1/2" = 1'-0"



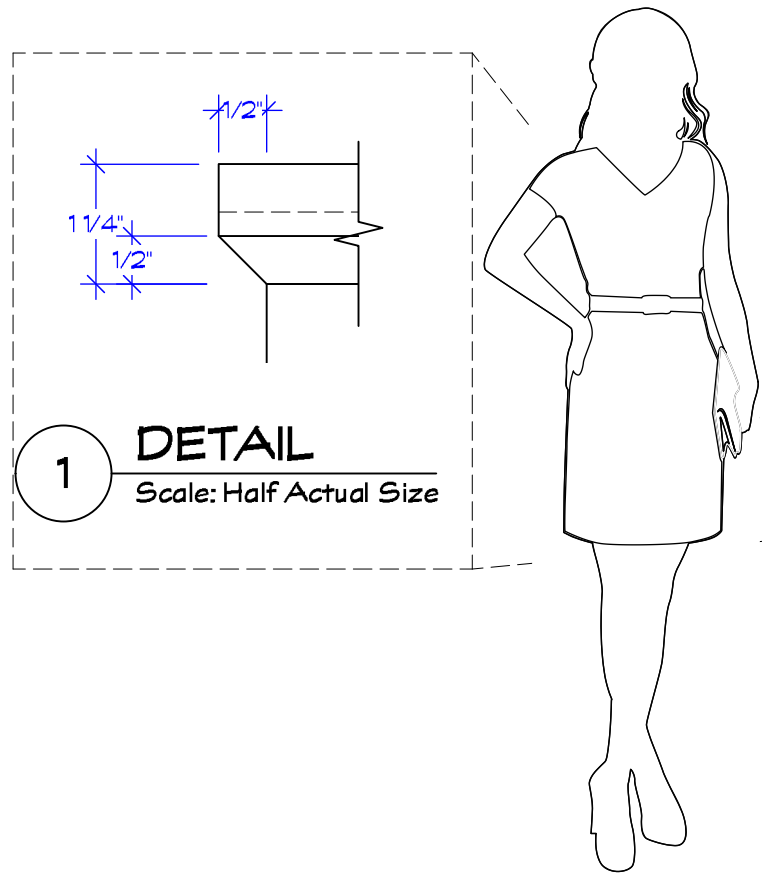
**REFERENCE PLAN**  
Scale: 1/4" = 1'-0"



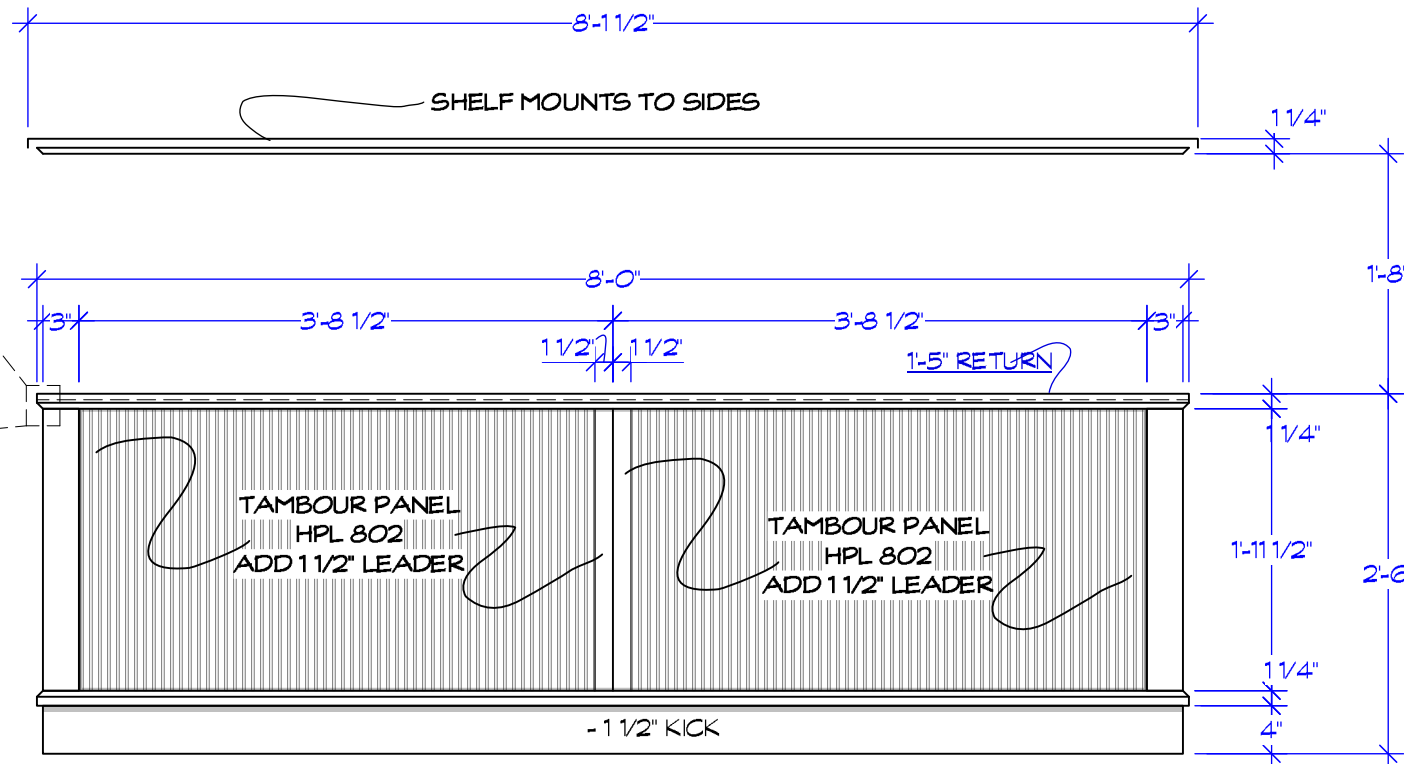
TRUE SIZE SCALE CHECK  
95\_Dress Shop SL\_Directors Plan\_10-30-18.rvt



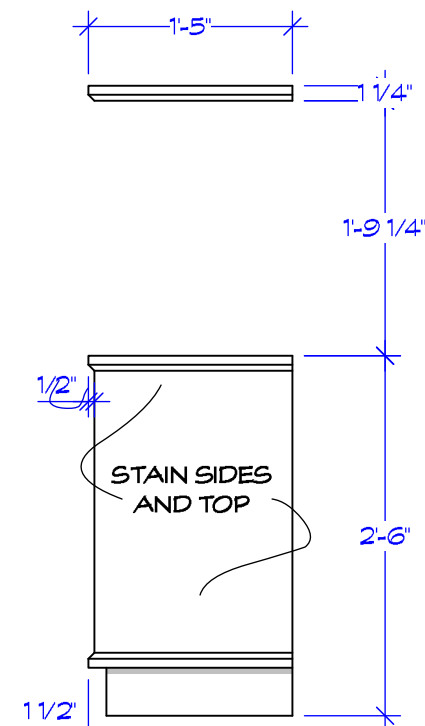
Episode: <b>XXX</b>	Set Name & Description: <b>DRESS SHOP ELEVATIONS</b>	Exec Producer: <b>ALAN POUL</b>	Line Producer: <b>GAIL BARRINGER</b>	Prod. Designer: <b>LESTER COHEN</b>	Set Decorator: <b>KER LEDERMAN</b>
Set #: <b>95</b>	Director: <b>ALAN POUL</b>	UPM: <b>LORI JOHNSON</b>	Address: <b>295 Locust Ave. Bronx, NY 10454</b>	Art Director: <b>JORDAN JACOBS</b>	Constr. Coordinator: <b>RAY SAMITZ</b>
Scale: <b>NOTED</b>	Location: <b>WASHBURTON AVE &amp; MAIN ST 10706</b>				
Drawn by: <b>M. FAHRER</b>					
Drawing Date: <b>3/30/2020</b>					
Sheet No.: <b>95-1</b>					
Shoot Date: <b>XX/XX/2018</b>					
Of: <b>Total</b>					



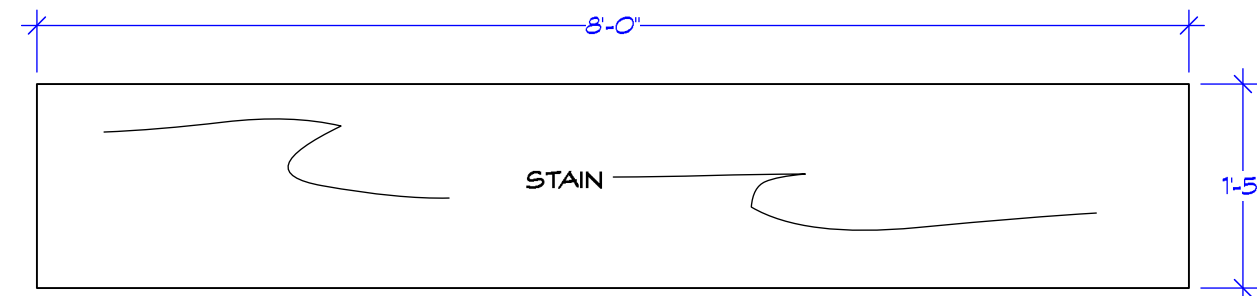
**1** **DETAIL**  
Scale: Half Actual Size



**A** **CABINET FRONT**  
Scale: 3/4" = 1'-0"



**B** **CABINET SIDE**  
Scale: 3/4" = 1'-0"



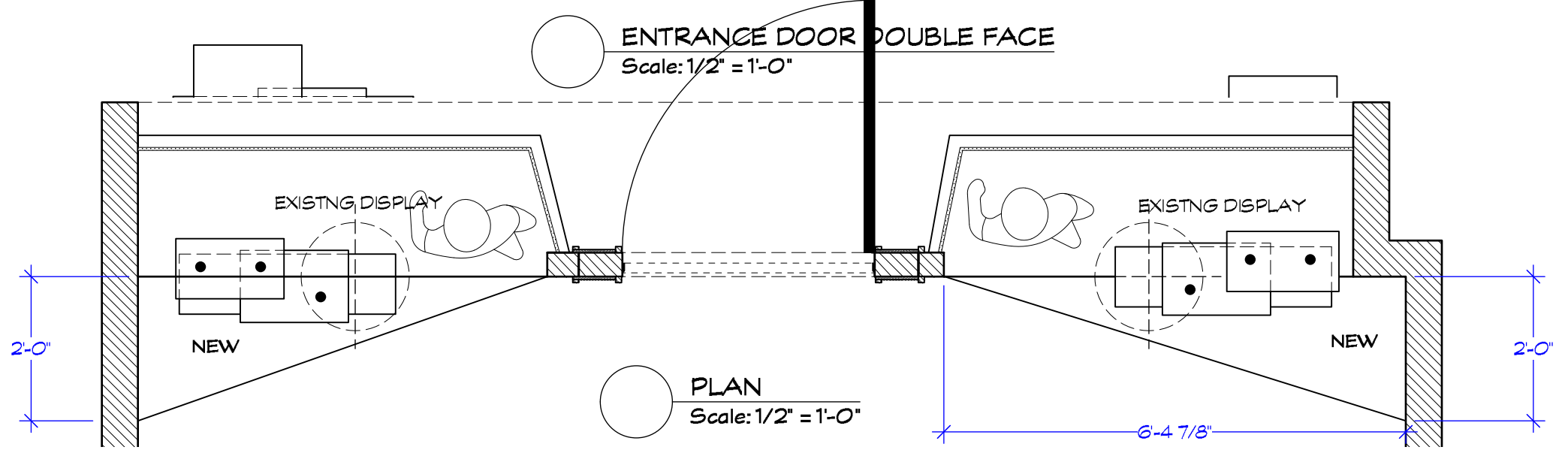
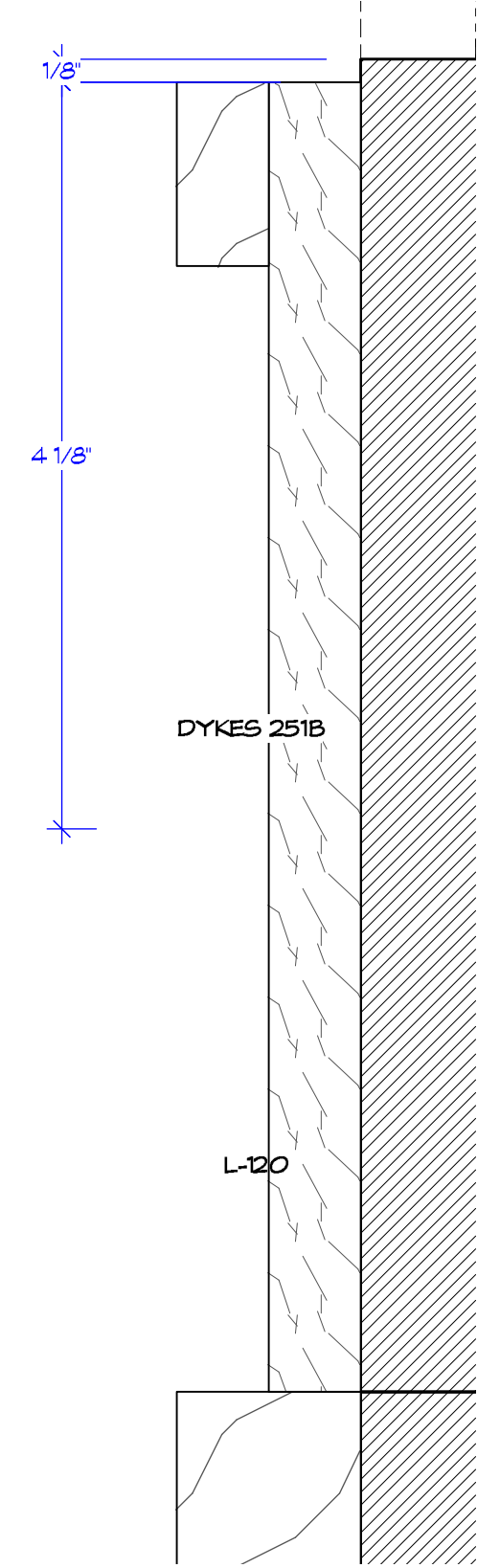
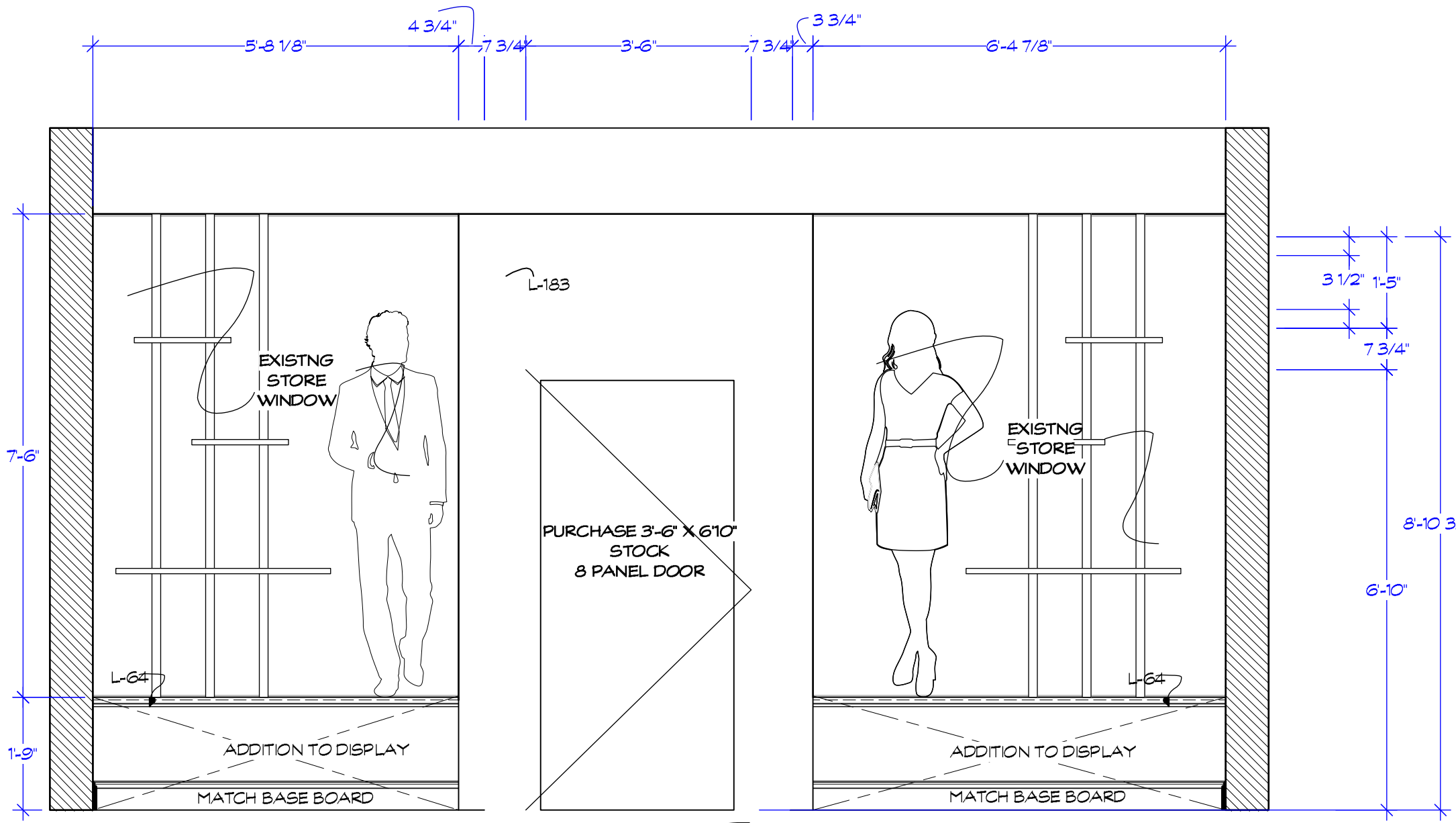
**C** **CABINET TOP**  
Scale: 3/4" = 1'-0"

**NOTE:**  
TAMBOUR SPECED FROM  
WORLD PANEL PRODUCTS  
252-794-9944  
WWW.WORLDPANEL.COM  
3/4" SLATS WITH 1 1/2" LEADER



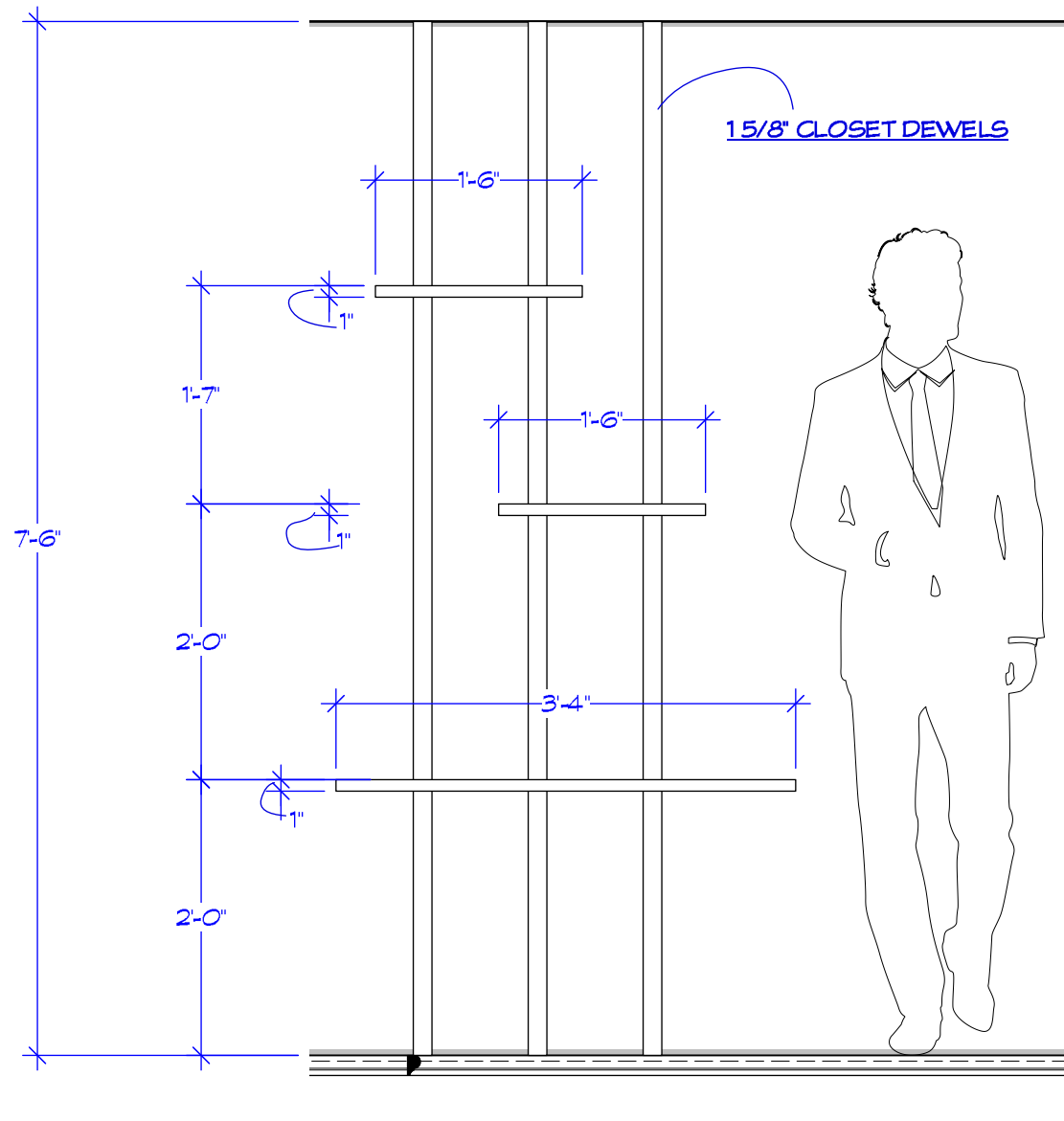
**D** **CABINET INSPIRATION**

	PROD. DESIGNER: LESTER COHEN ART DIRECTOR: JORDAN JACOBS	DRAWING: ELEVATION	SHOOT DATE: TBD	SET #: 95	DATE DRAWN: 3/30/2020	<b>DRESS SHOP CABINET &amp; SHELF</b>
	DRAWING BY: M. FAHRER	LOCATION: WASHBURTON AVE & MAIN ST 10706	SCALE: 3/4"=1'-0"	SCENE #: XX	REVISED: XX/XX/2018	

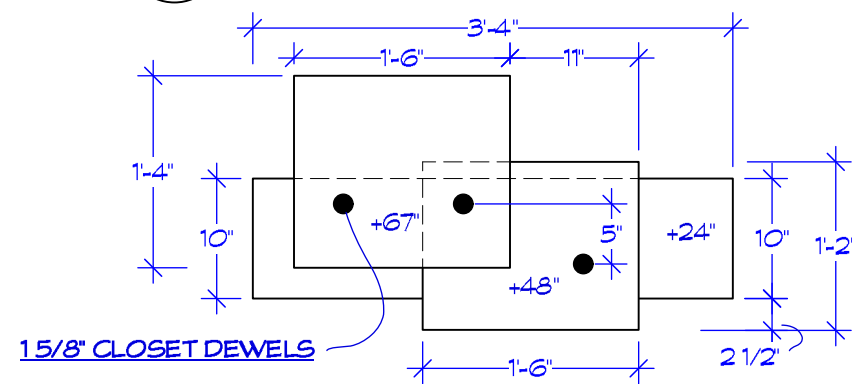


CASING DETAIL  
Scale: Actual Size

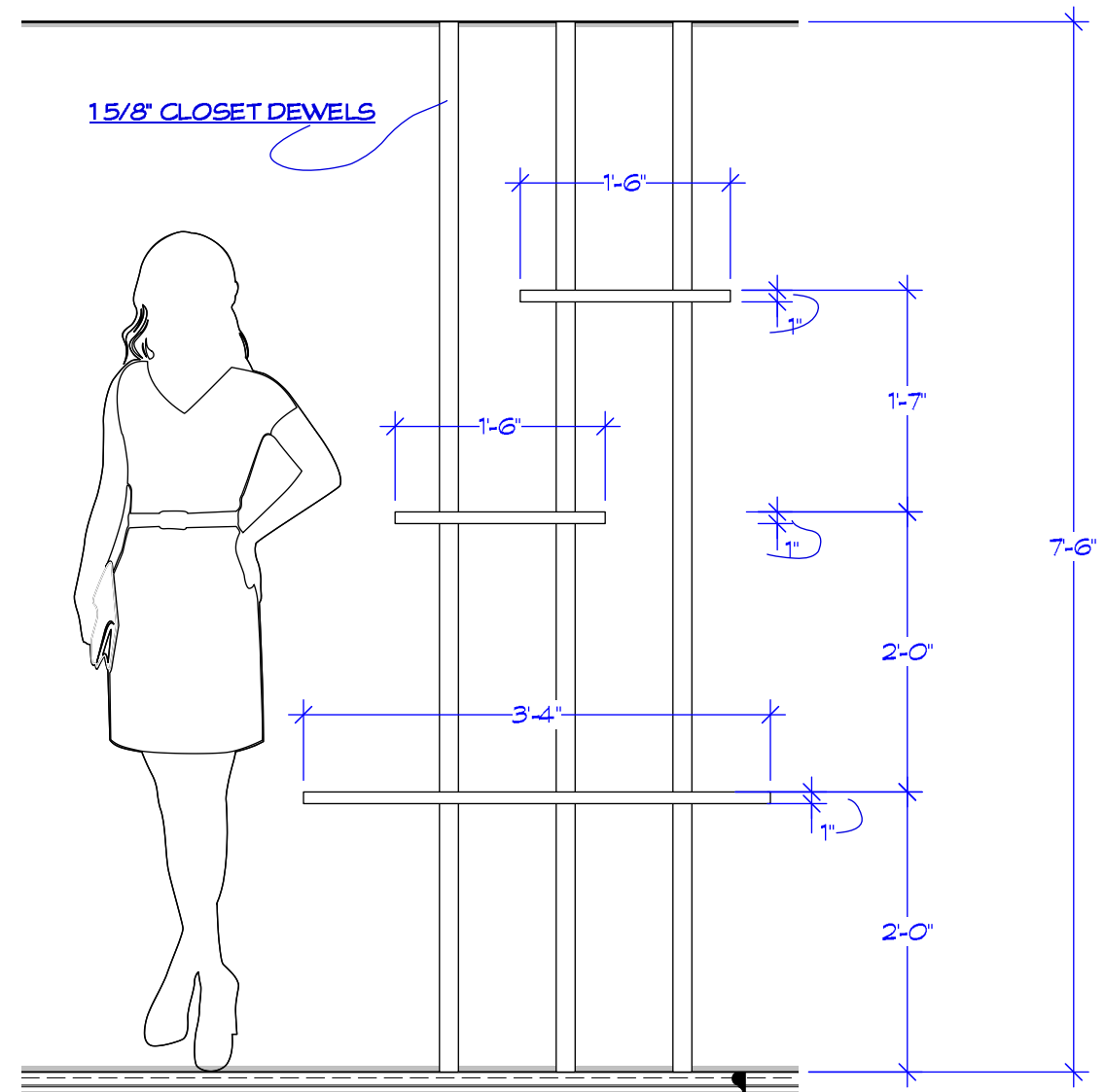
	PROD. DESIGNER: LESTER COHEN ART DIRECTOR: JORDAN JACOBS	DRAWING: ELEVATION	SHOOT DATE: TBD	SET #: 95	DATE DRAWN: 3/30/2020	<h1>DRESS SHOP ROUGH</h1>
	DRAWING BY: M. FAHRER	LOCATION: LOCATION ADDRESS	SCALE: NOTED	SCENE #: XX	REVISED: XX/XX/2018	



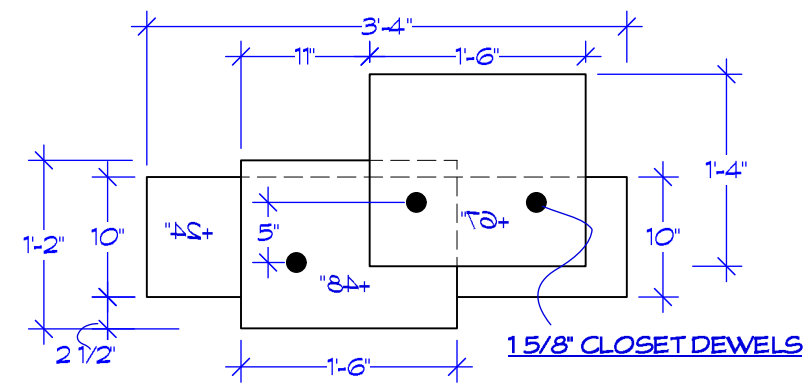
**A WINDOW DISPLAY MEN**  
Scale: 3/4" = 1'-0"



**WINDOW DISPLAY MEN PLAN**  
Scale: 3/4" = 1'-0"

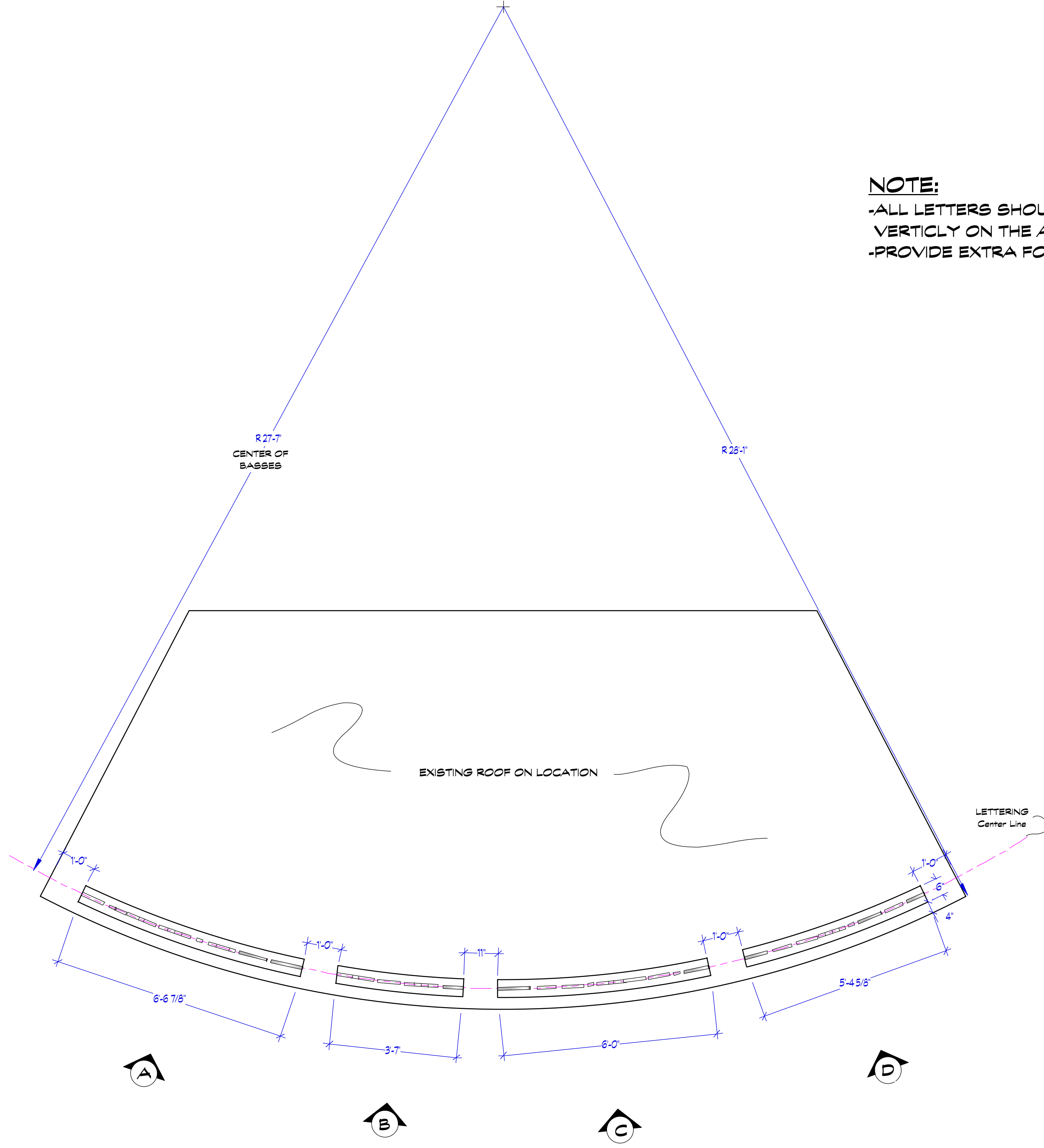


**B WINDOW DISPLAY LADIES**  
Scale: 3/4" = 1'-0"



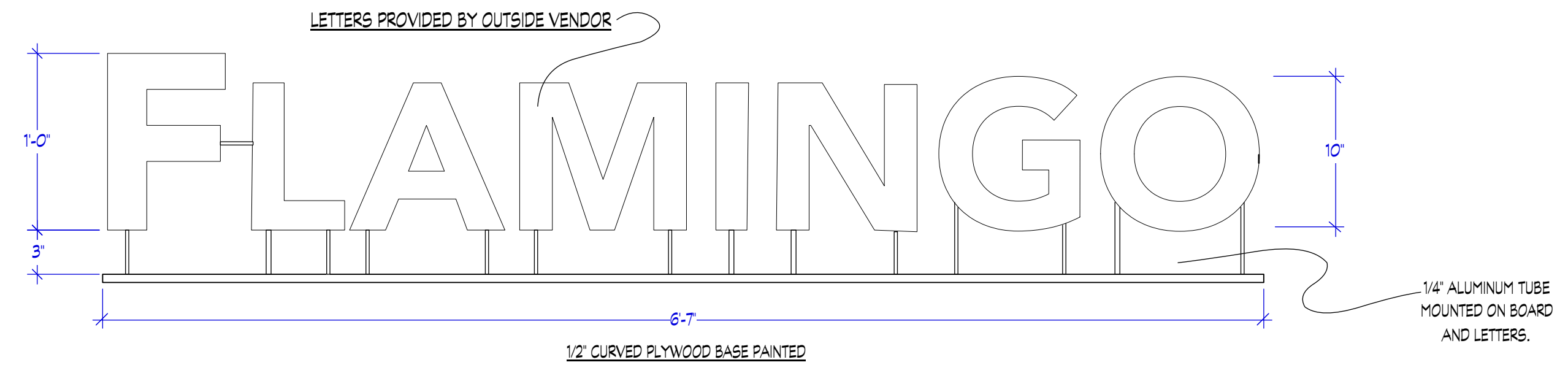
**WINDOW DISPLAY LADIES PLAN**  
Scale: 3/4" = 1'-0"

	PROD. DESIGNER: LESTER COHEN ART DIRECTOR: JORDAN JACOBS	DRAWING: ELEVATION	SHOOT DATE: TBD	SET #: 95	DATE DRAWN: 3/30/2020	<b>WINDOW DRESSING SHELVES</b>
	DRAWING BY: M. FAHRER	LOCATION: WASHBURTON AVE & MAIN ST 10706	SCALE: 3/4"=1'-0"	SCENE #: XX	REVISED: XX/XX/2018	

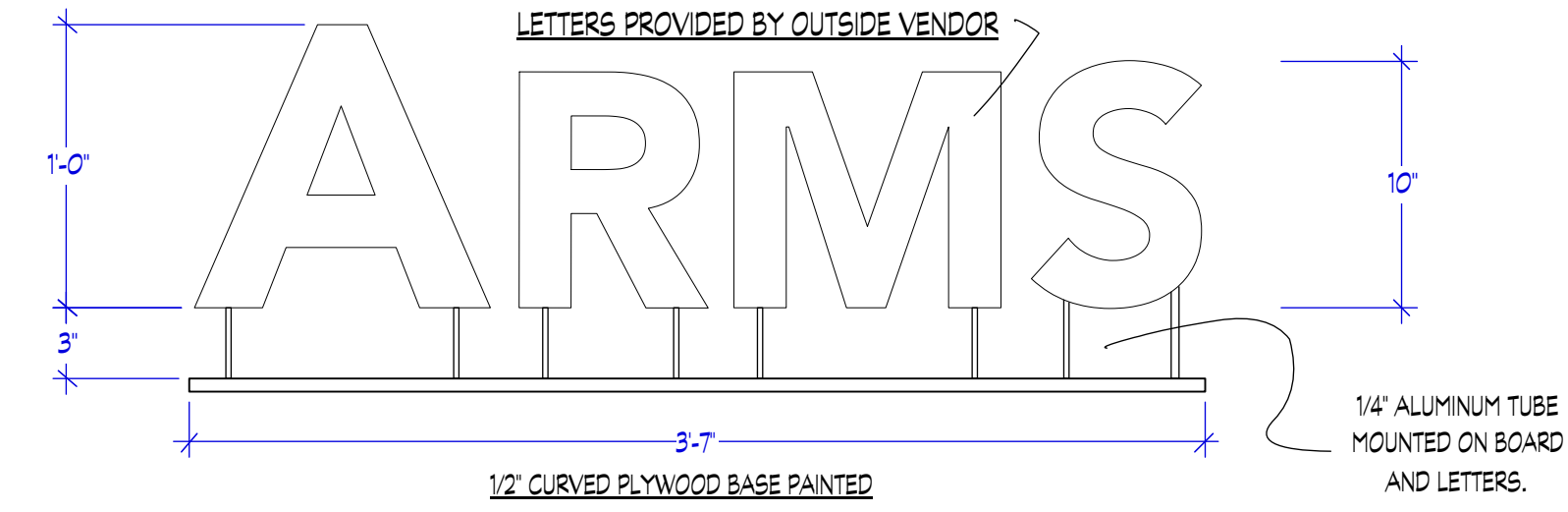


**ROOF PLAN**  
Scale: 1/2" = 1'-0"

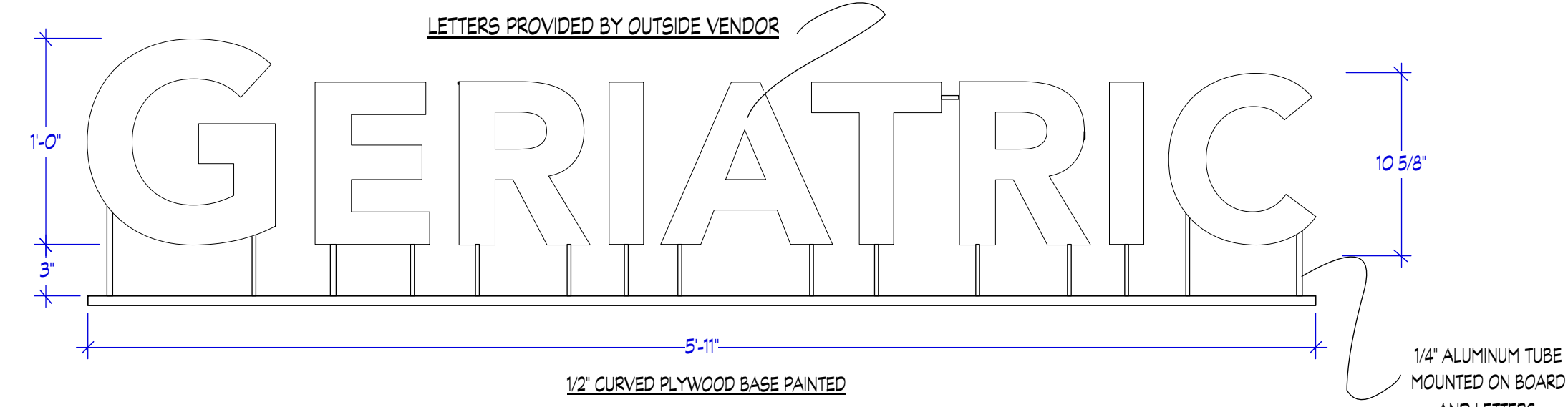
**NOTE:**  
-ALL LETTERS SHOULD BE ABLE TO ADJUSTABLE VERTICLY ON THE ALUMINUM TUBES.  
-PROVIDE EXTRA FOR ON SITE STABILIZATION



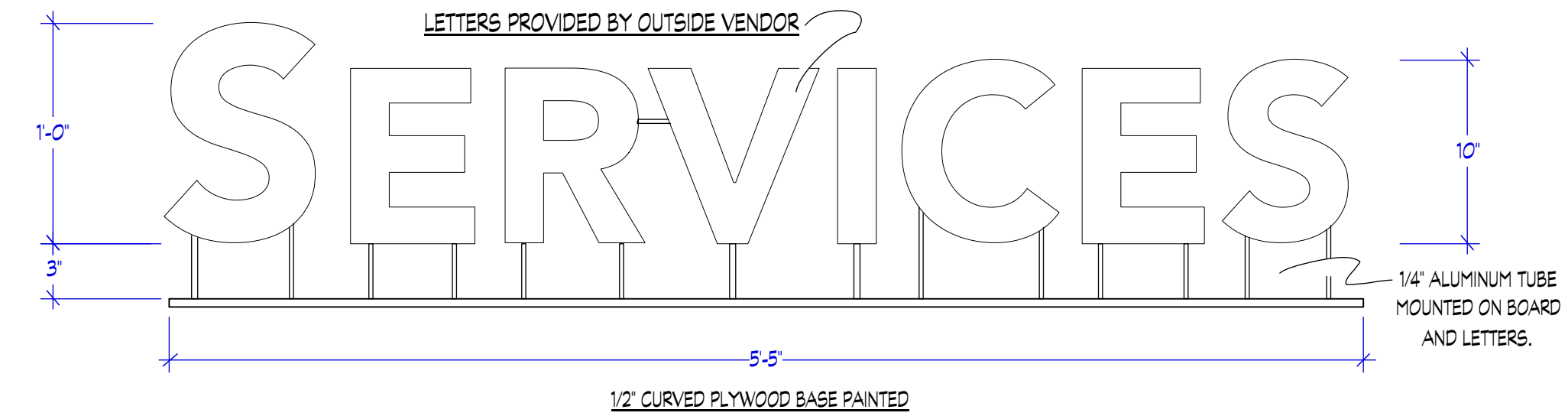
**A "FLAMINGO" FLAT VIEW**  
Scale: 1 1/2" = 1'-0"



**B "ARMS" FLAT VIEW**  
Scale: 1 1/2" = 1'-0"



**C "GERIATRIC" FLAT VIEW**  
Scale: 1 1/2" = 1'-0"



**D "SERVICES" FLAT VIEW**  
Scale: 1 1/2" = 1'-0"



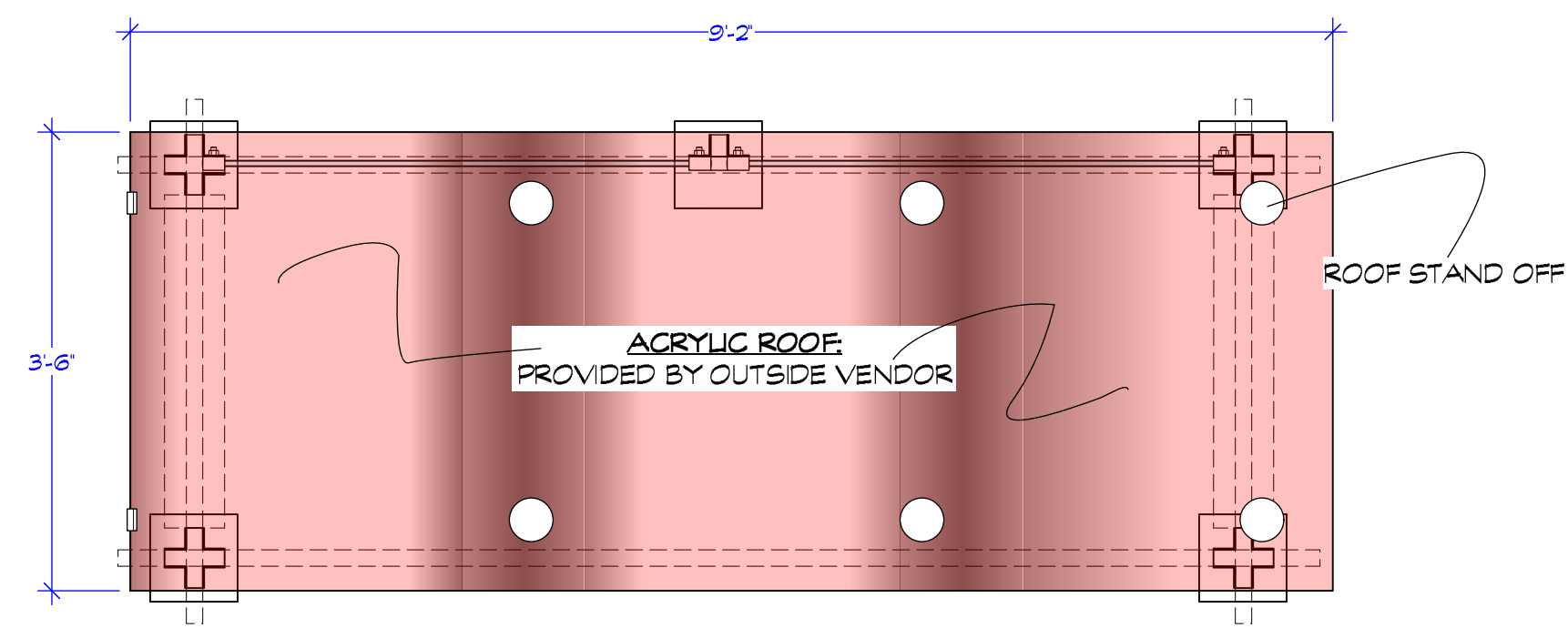
**FLAMINGO ARMS SIGN REFERENCE**



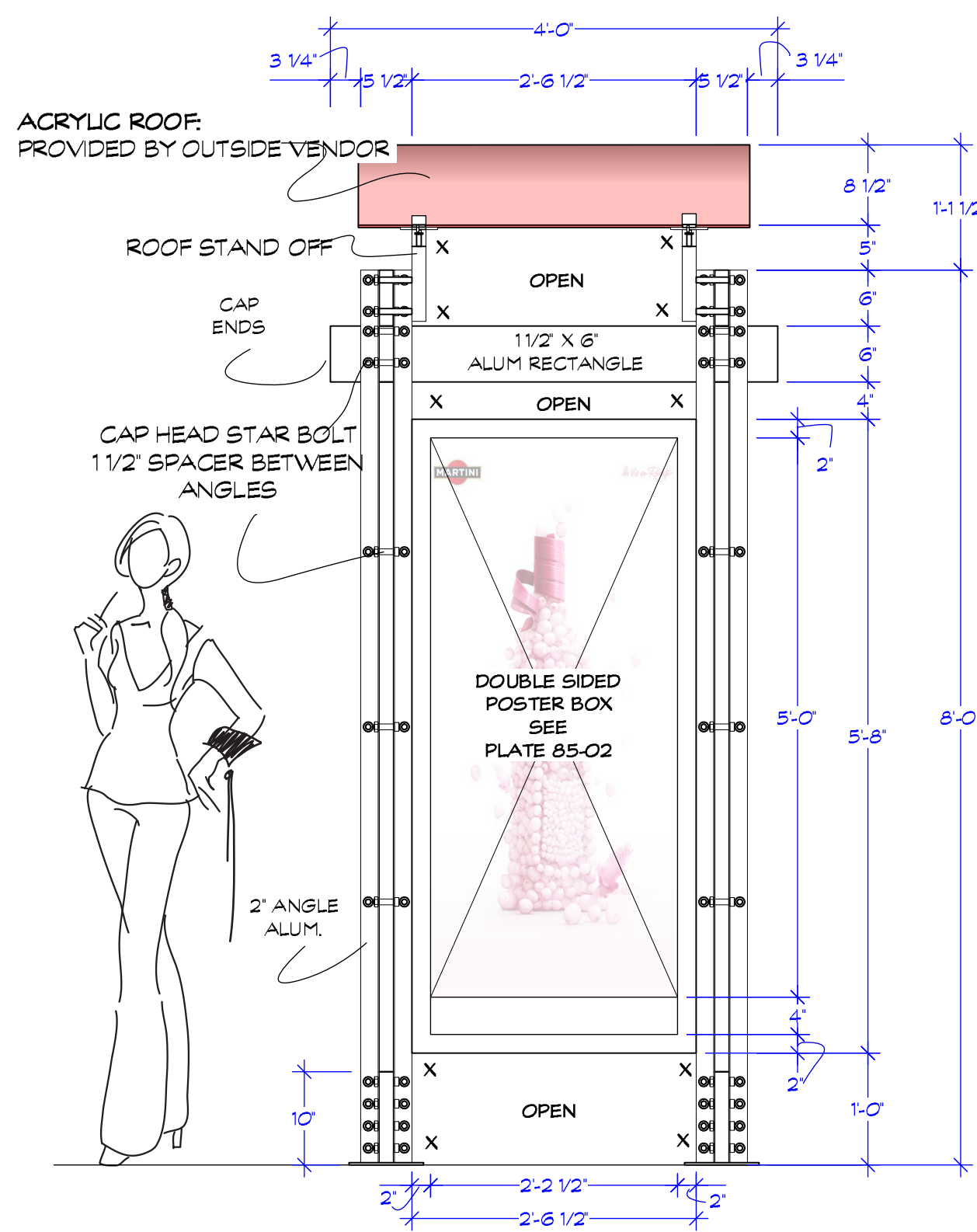
TRUE SIZE SCALE CHECK  
59\_Flamingo Arms\_Sign Elevation 9-7-18.vw

PRELIMINARY 9/10/2018

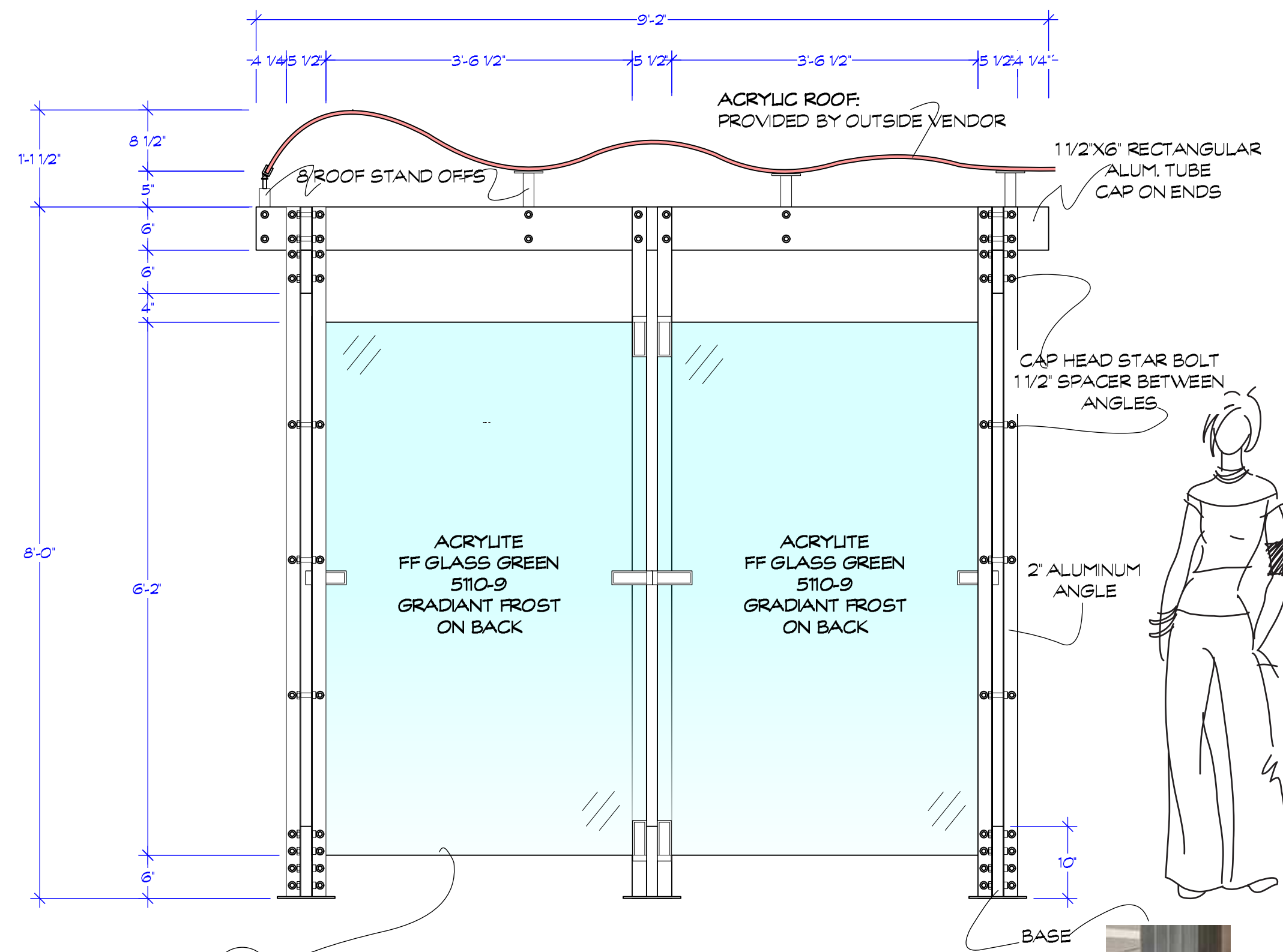
Episode: 105	Drawn by: M. FAHRER	Sheet No.: 1
Set #: 59	Drawing Date: 9/10/18	Short Date: XX/XX/2018
Set Name & Description: FLAMINGO ARMS HOTEL SIGN ELEVATION	Director: ALAN POUL	Location: STAGE
Exec Producer: ALAN POUL	UPM: LORI JOHNSON	Art Director: JORDAN JACOBS
Line Producer: GAIL BARRINGER	Address: 295 Locust Ave, Bronx, NY 10454	Prod. Designer: LESTER COHEN
Set Decorator: KERI LEDERMAN		Const. Coordinator: RAY SAMITZ



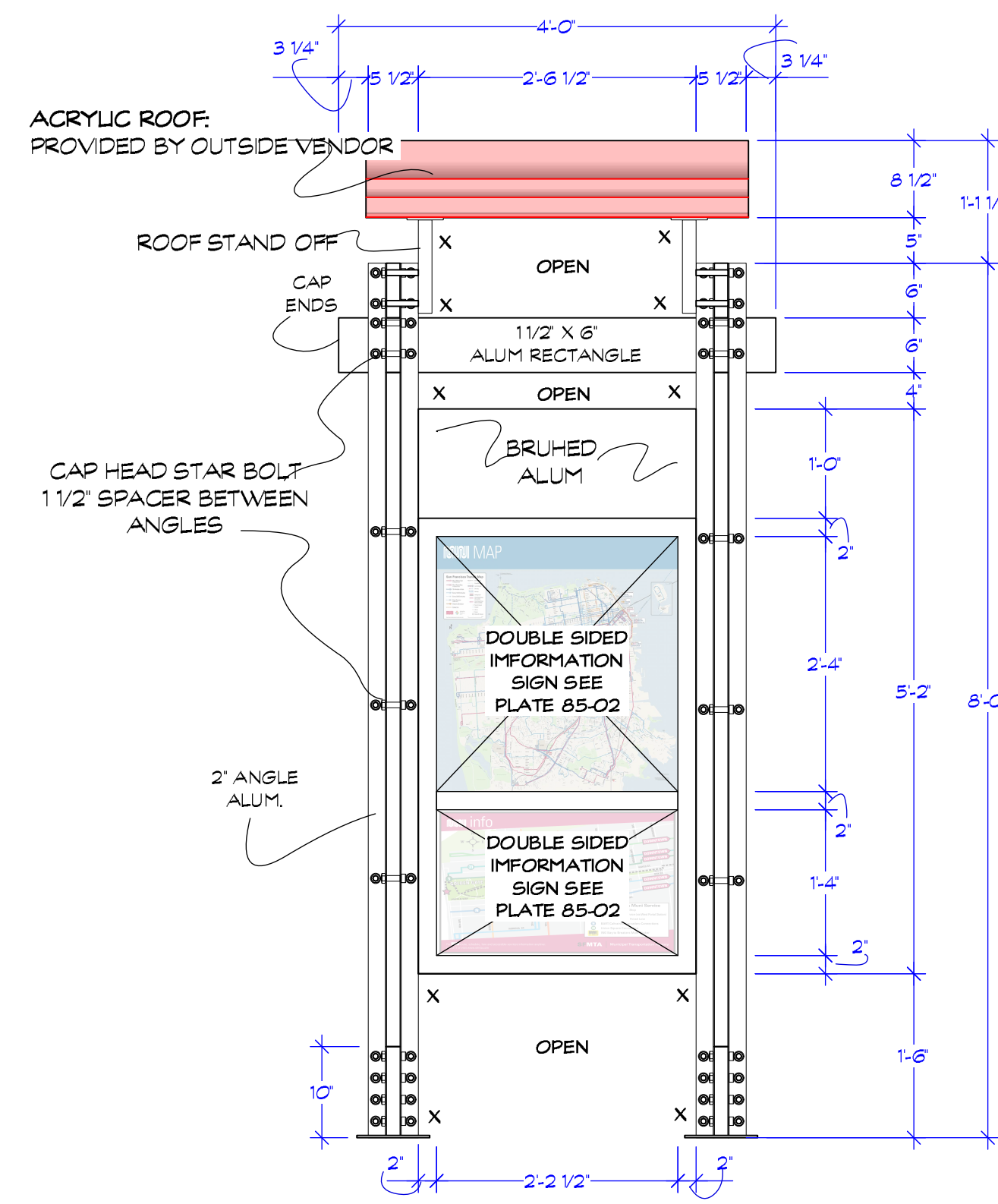
**BUS STOP TOP VIEW**  
Scale: 3/4" = 1'-0"



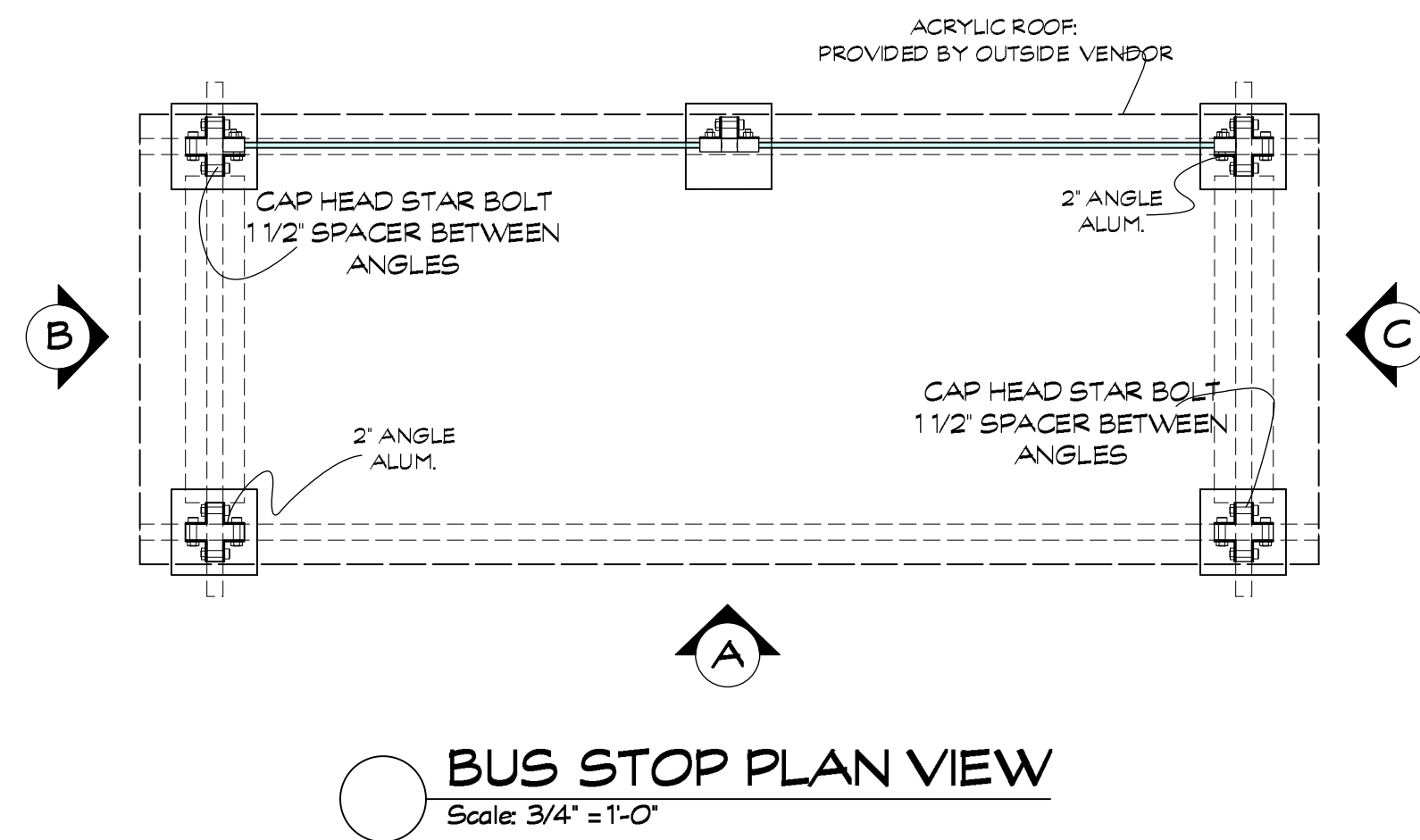
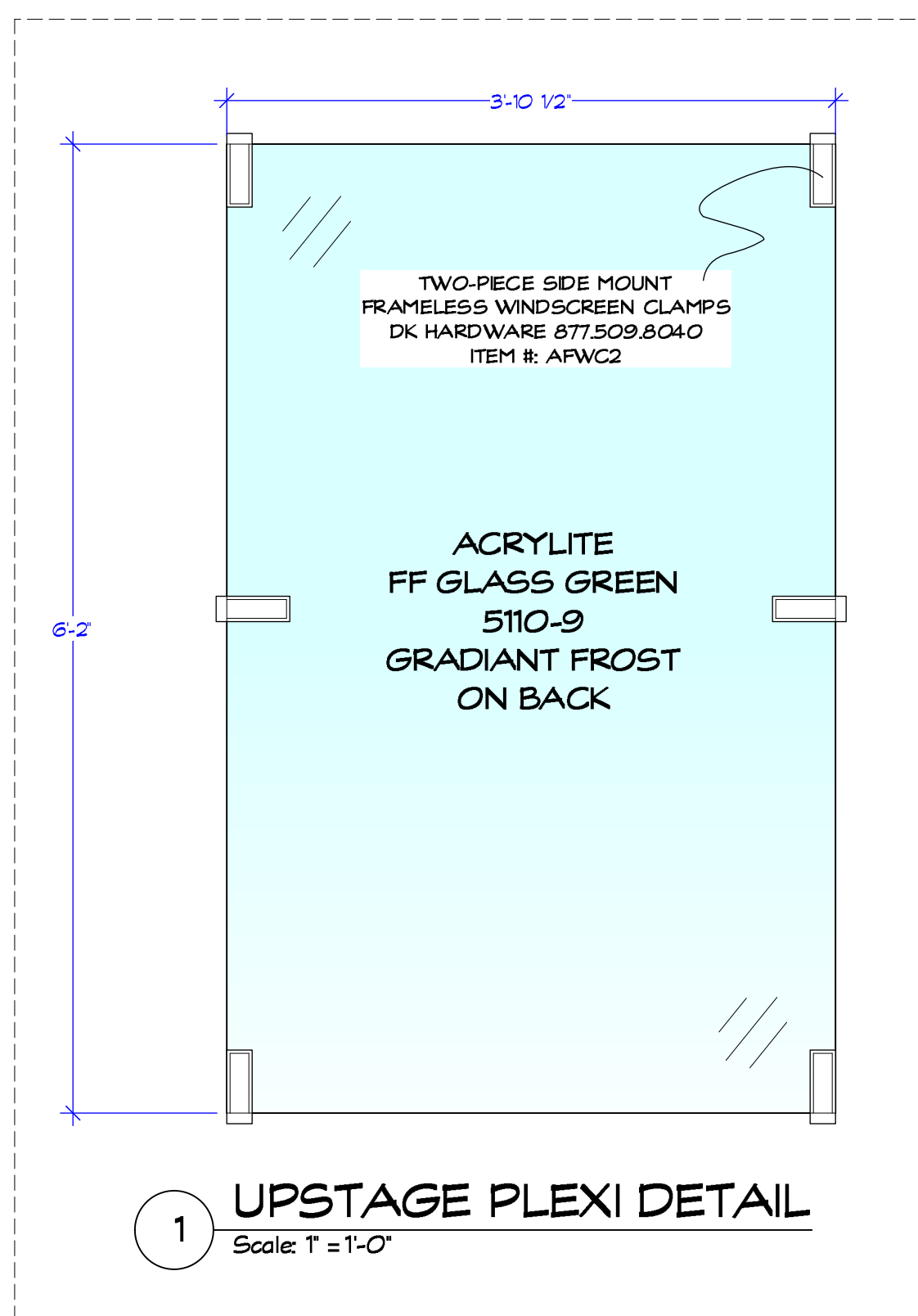
**BUS STOP SIDE VIEW**  
Scale: 3/4" = 1'-0"



**BUS STOP FRONT VIEW**  
Scale: 3/4" = 1'-0"



**BUS STOP SIDE VIEW**  
Scale: 3/4" = 1'-0"



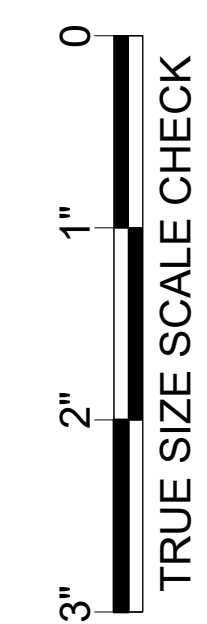
**BOLT AND BEAM EXAMPLE**



**BOLT AND BEAM EXAMPLE**



**REFERENCE SKETCH/ PHOTO**



TRUE SIZE SCALE CHECK  
85\_Bus Stop\_Elevation\_8-14-2018.vwx

**FOR BID ONLY DO NOT BUILD 08/15/2018**

Exec Producer: ALAN POUL Line Producer: GAIL BARRINGER Address: 295 Locust Ave, Bronx, NY 10454	Episode: <b>XXX</b>	Drawn by: <b>M. FAHRER</b>
Prod. Designer: LESTER COHEN	Set #: <b>85</b>	Sheet Date: <b>XX/XX/2018</b>
Set Decorator: KERI LEDERMAN	Scale: <b>NOTED</b>	Sheet No.: <b>85-1</b>
Director: ALAN POUL	Set Name & Description: <b>BUS STOP ELEVATION</b>	
Art Director: JORDAN JACOBS	Location: <b>T.B.D.</b>	
Consr. Coordinator: RAY SAMITZ		

