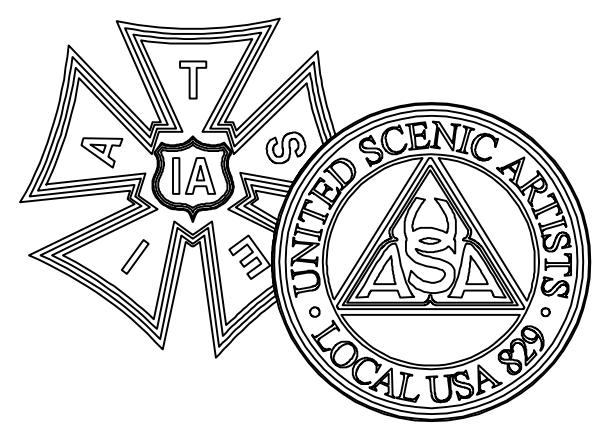
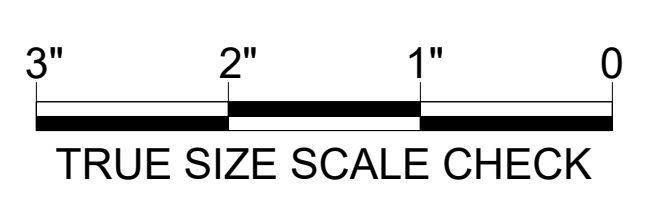


INT. DEN SCENES 15/23/25/33/43/52/54
 INT SECOND FLOOR CLOSET SENE 49
 INT VAN POOR MANS SCENE 68/76/86/89/92/94/103

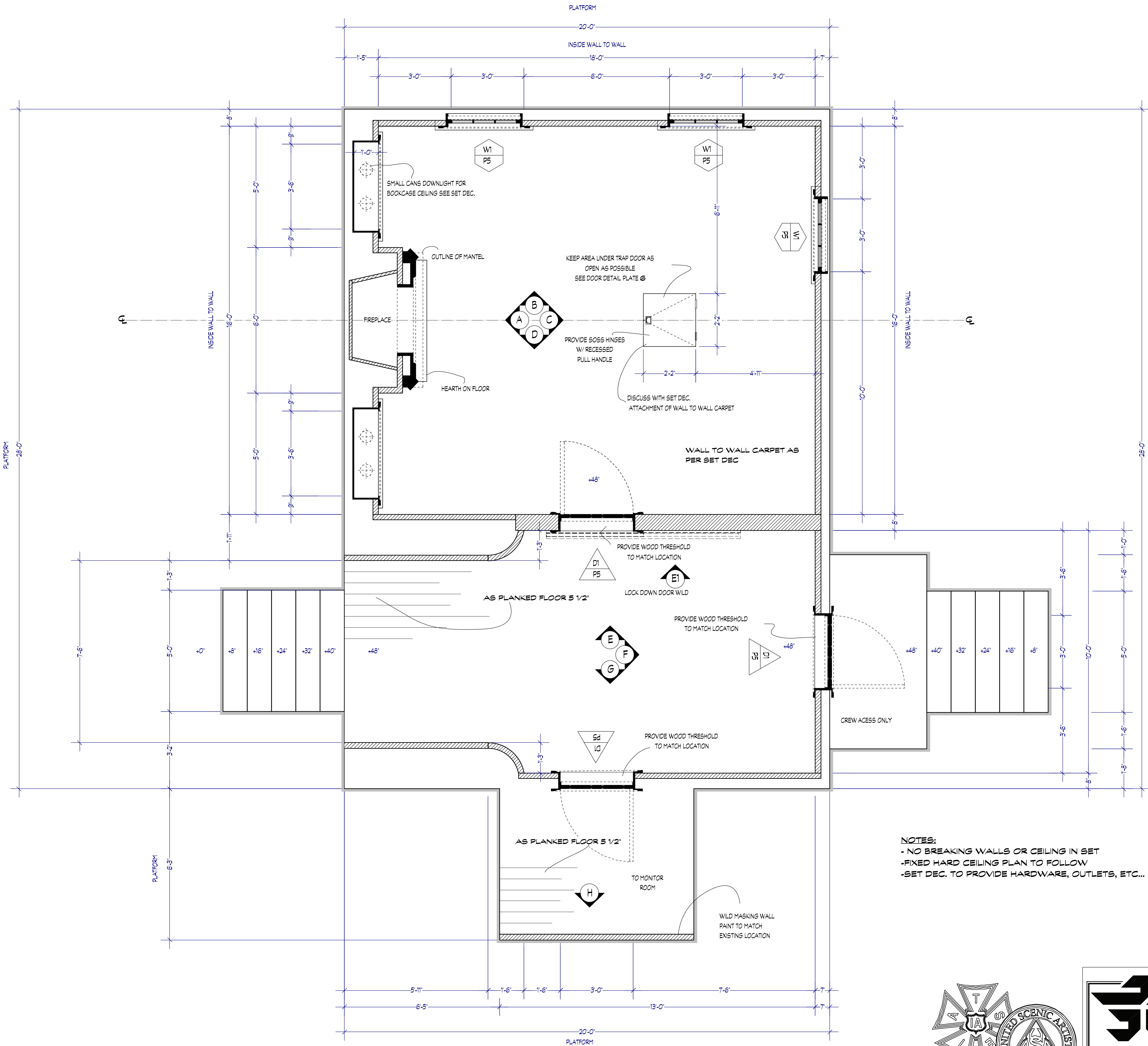
VAN - FOR COVER SEPT 21ST?
 DEN FOR COVER OCTOBER 1ST

9/14/2015



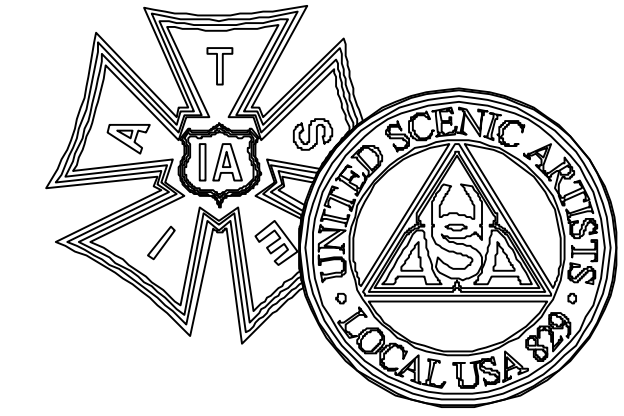
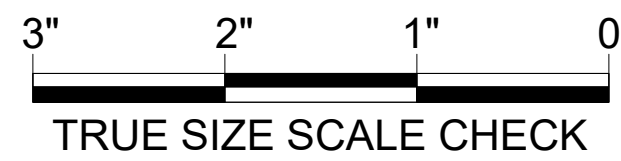
THE CODE ASSASSIN PRODUCTIONS 275 WEST LUTICK ROAD SUITE 402 WARREN, RI 02886 ART DEPARTMENT 401.724.475		SET NAME: STUDIO PLAN LOCATION: 275 W. NATAK ROAD SUITE 402, WARREN, RI, 02886							
		DESCRIPTION: SPOTTING PLAN PRODUCTION STAGE SET#: VARIOUS DATE: 9/10/2015 DRAWN BY: M. FAHRER SCALE: 1/4" = 1'-0"							
		SHEET* 1							
2	3	1	2	1	2	1	1	1	1
ART	COUNT	SCENIC	SET DEC.	PROPS	PROP.	ELEC.	GRP.	LOC.	CAMERA

9/18/2015

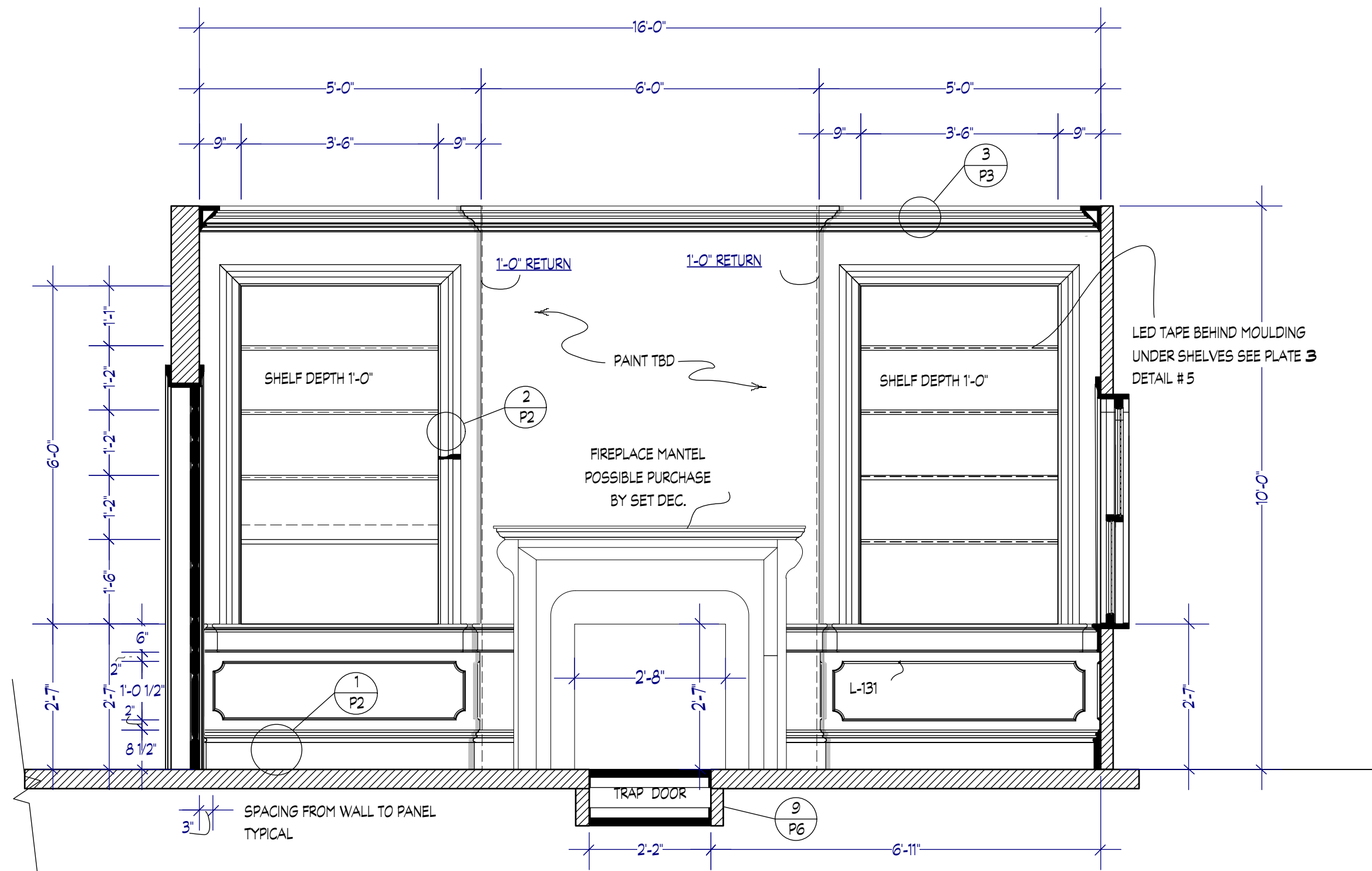


NOTES:
 - NO BREAKING WALLS OR CEILING IN SET
 - FIXED HARD CEILING PLAN TO FOLLOW
 - SET DEC. TO PROVIDE HARDWARE, OUTLETS, ETC...

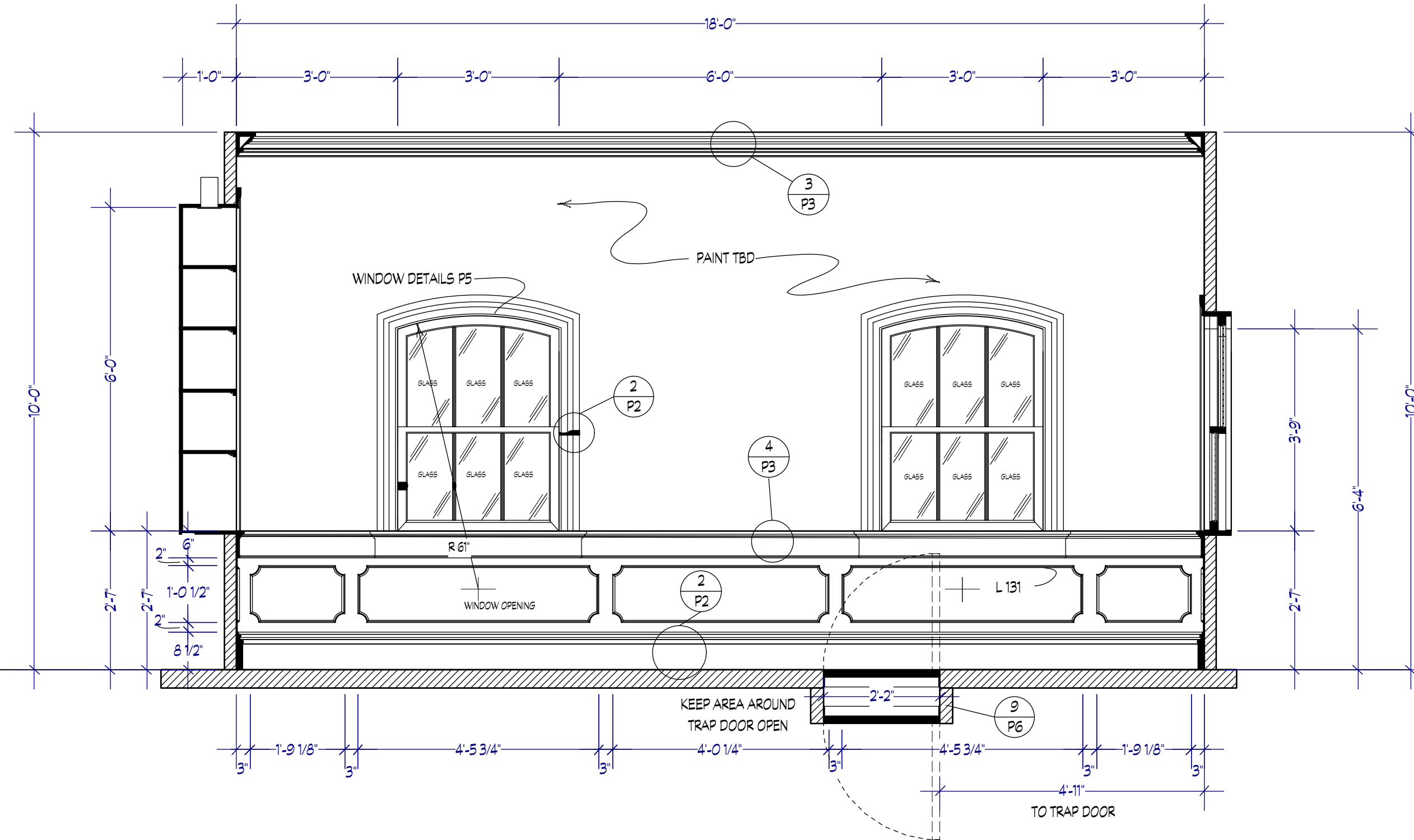
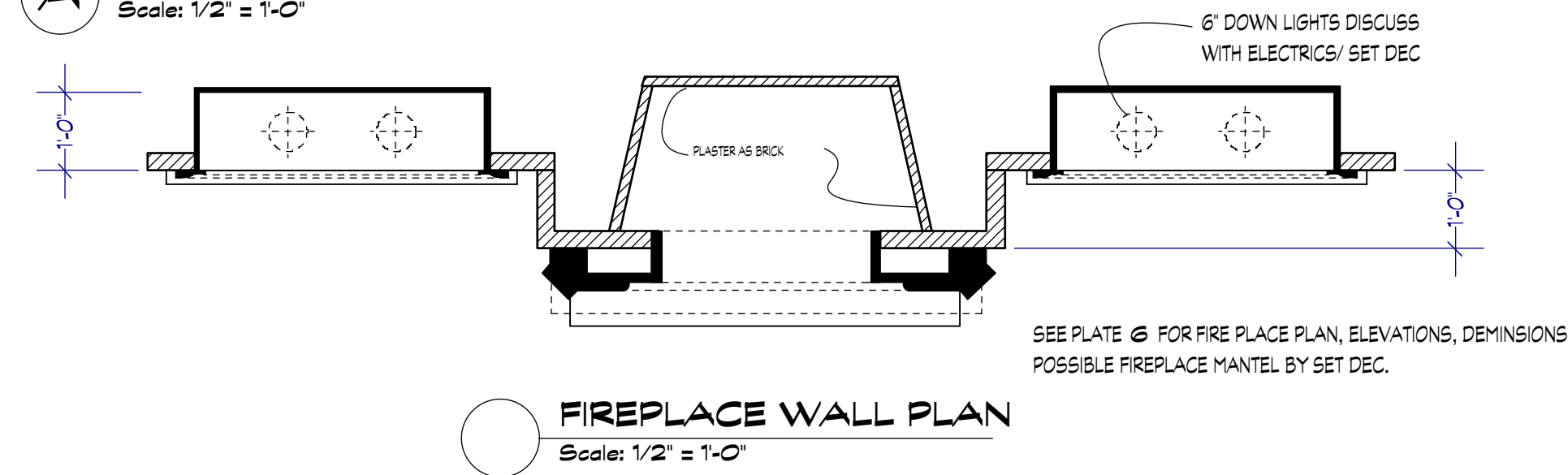
FLOOR PLAN 3RD FLOOR DEN
 Scale: 1/2" = 1'-0"



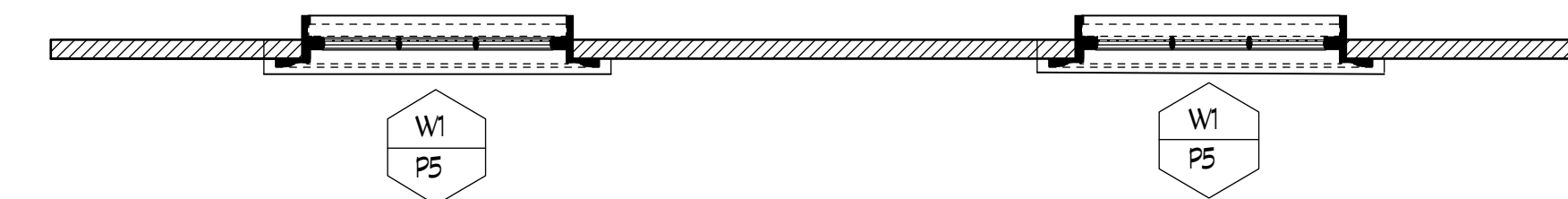
		DIRECTOR: JAMES DEMOLIACO PRODUCTION DESIGNER: SHARON LOMCOFSKY ART DIRECTOR: DAVID BLANKENSHIP		SET NAME: WASHINGTON BROWNSTONE DEN LOCATION: PRODUCTION STAGE	
		DESCRIPTION: FLOOR PLAN 3RD FLOOR DEN		SHEET# 1 OF	
SET #: 1112B		DRAWN BY: M. FAHRER		DATE: 9/17 /2015	
ASSASSINUS PRODUCTIONS 275 WEST LANTICK ROAD SUITE 400 WARWICK, RI 02886 ART DEPARTMENT 401.721.5475		SCALE: 1/2" = 1'-0"		ART 2 COST 3 SCENIC 1 SET DEC. 2 PRCP 1 PRDP 2 ELEC 1 GRP 1 LOC 1 CAMERA 1	



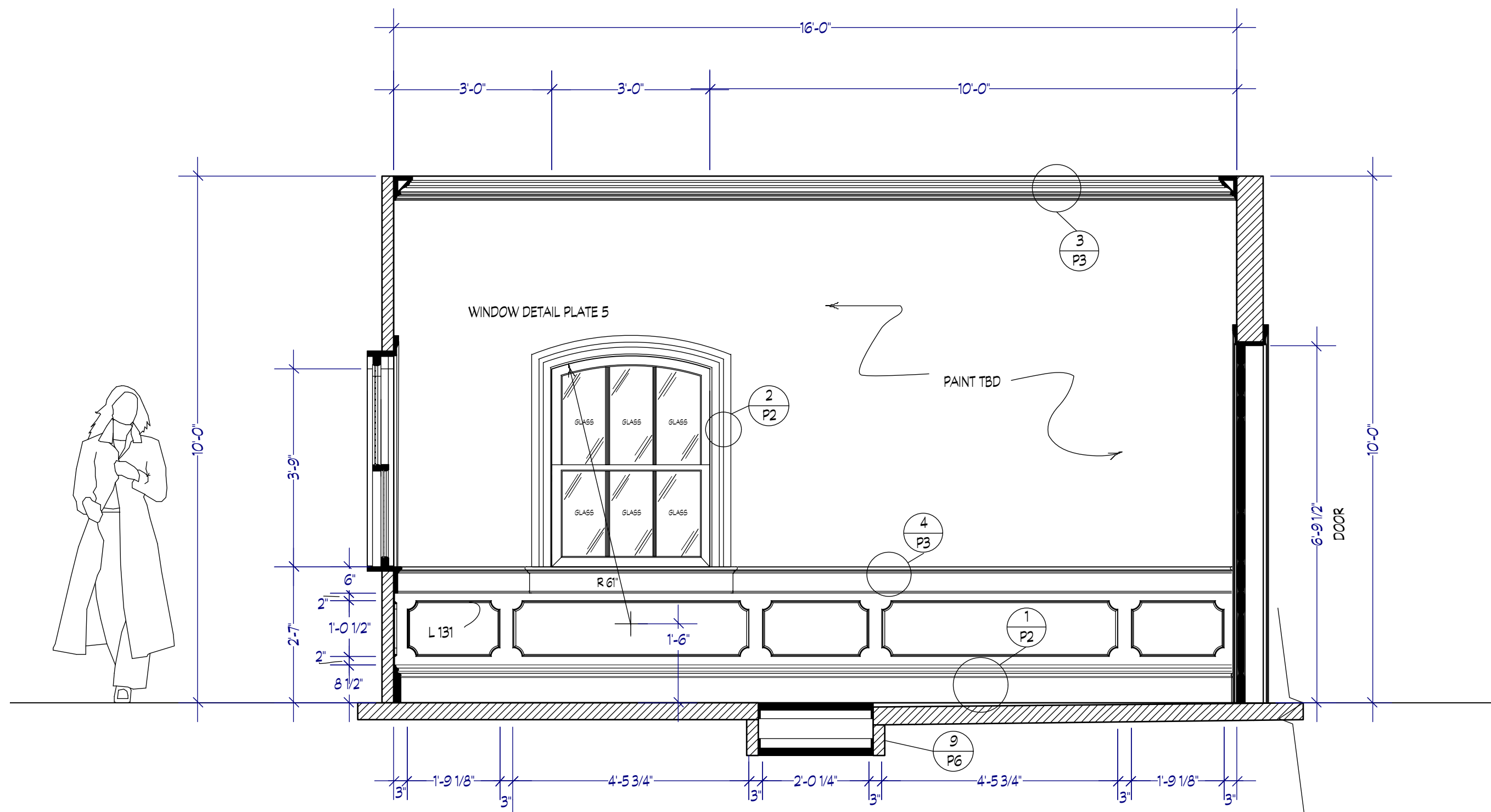
A FIREPLACE WALL ELEVATION W/ SECTION OF WINDOW AND DOOR
Scale: 1/2" = 1'-0"



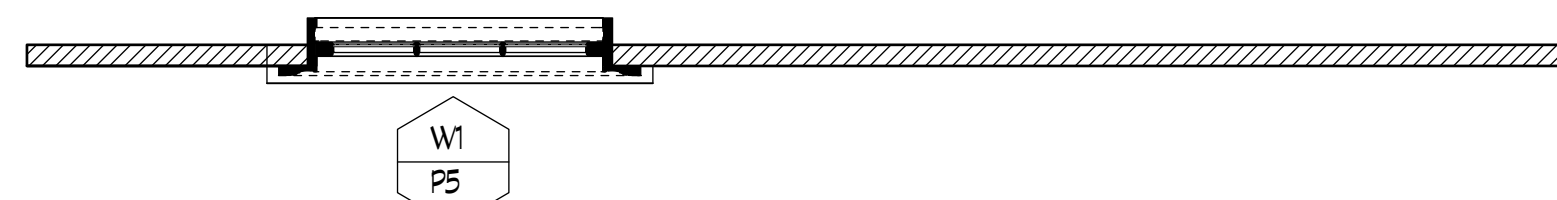
B WINDOW WALL ELEVATIONS W/ SECTION OF SHELVES AND WINDOW
Scale: 1/2" = 1'-0"



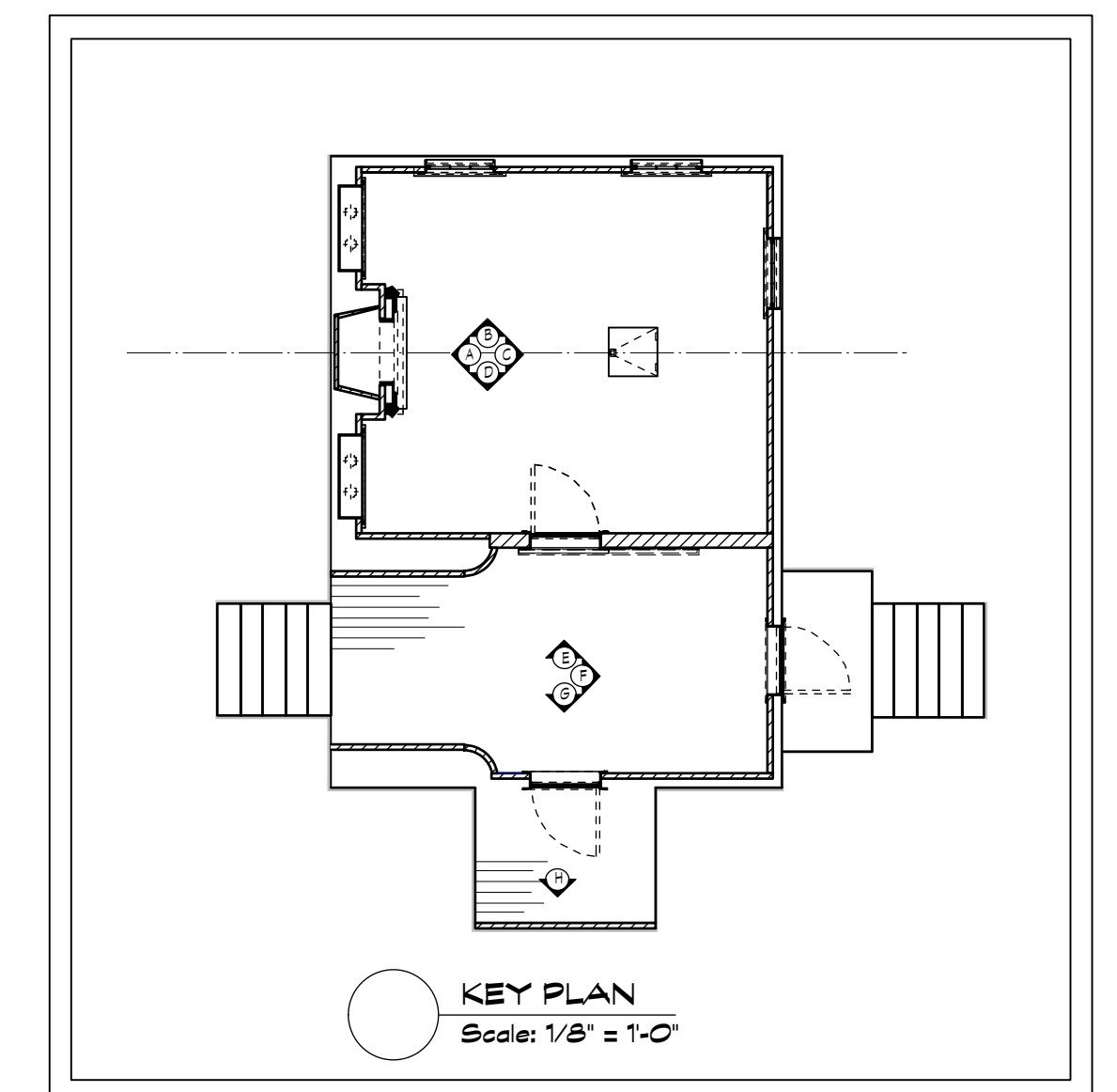
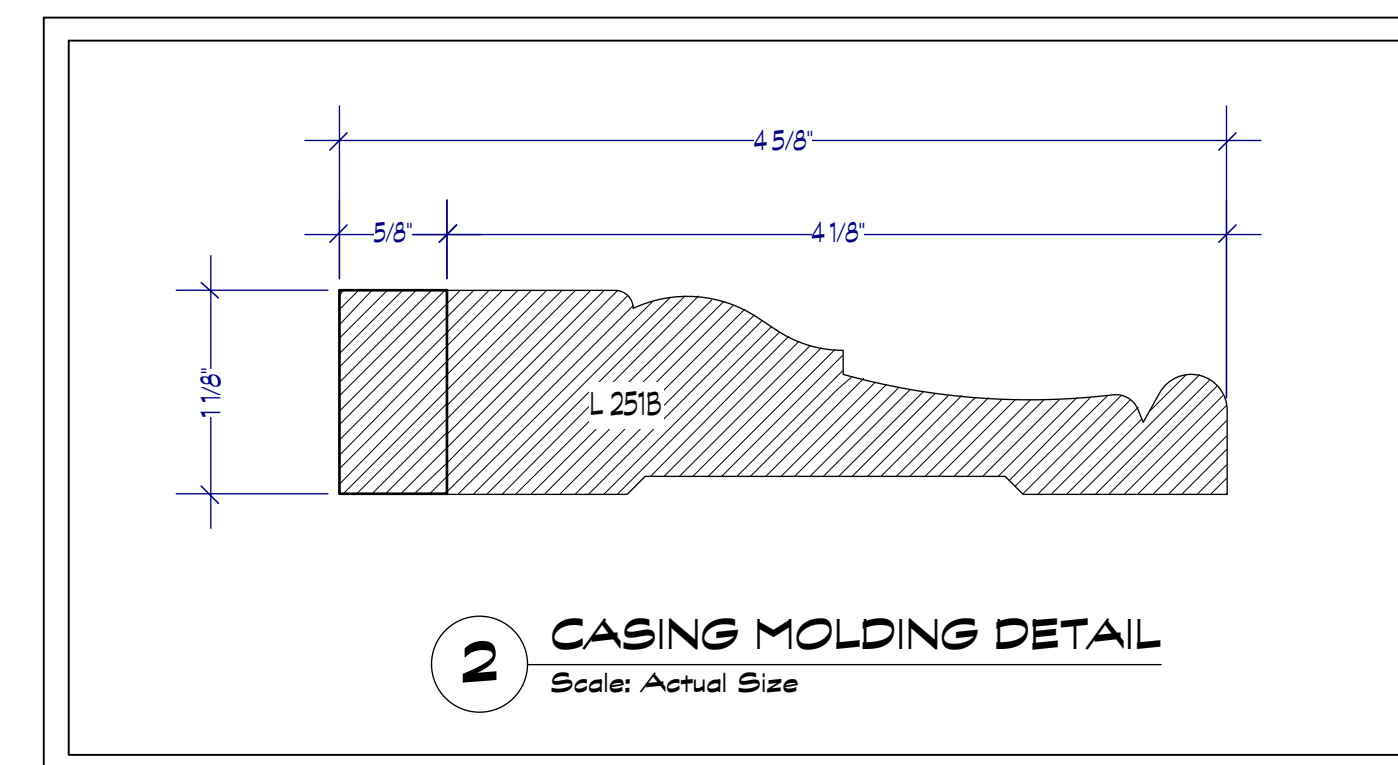
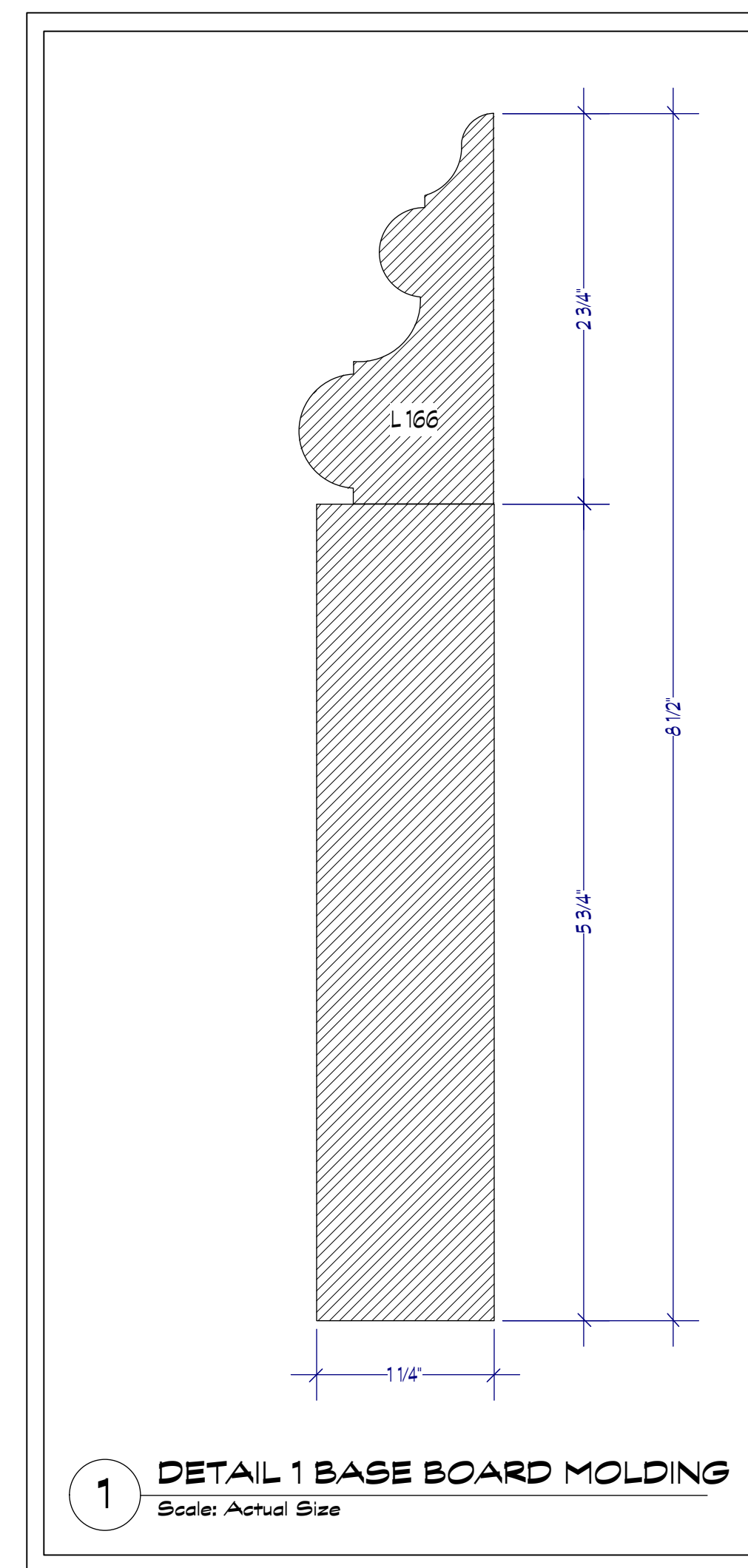
WINDOW WALL PLAN
Scale: 1/2" = 1'-0"



C WALL ELEVATION W/ SECTION OF WINDOW AND DOOR
Scale: 1/2" = 1'-0"

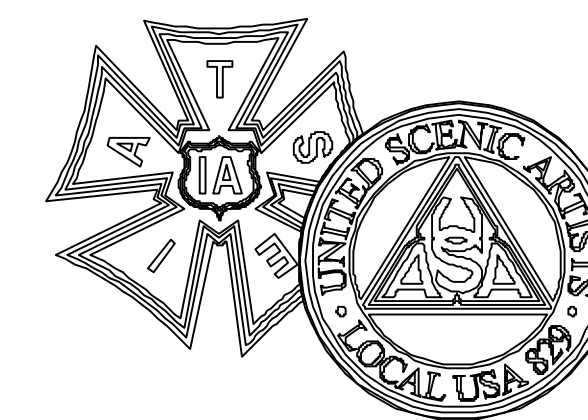


WALL ELEVATION PLAN
Scale: 1/2" = 1'-0"

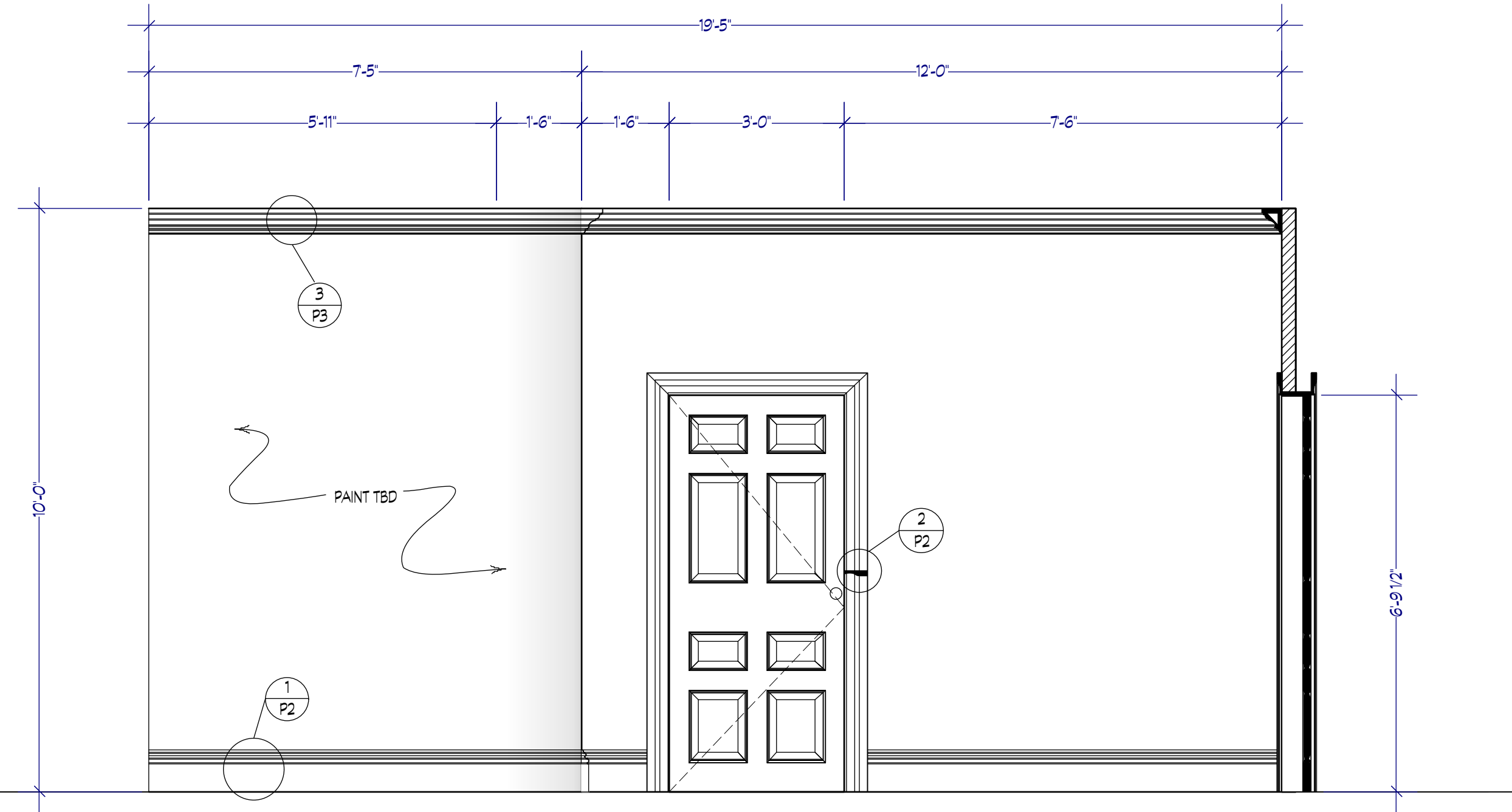
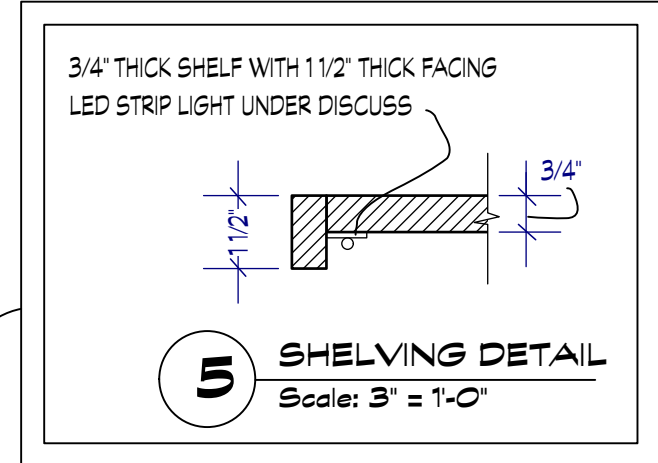
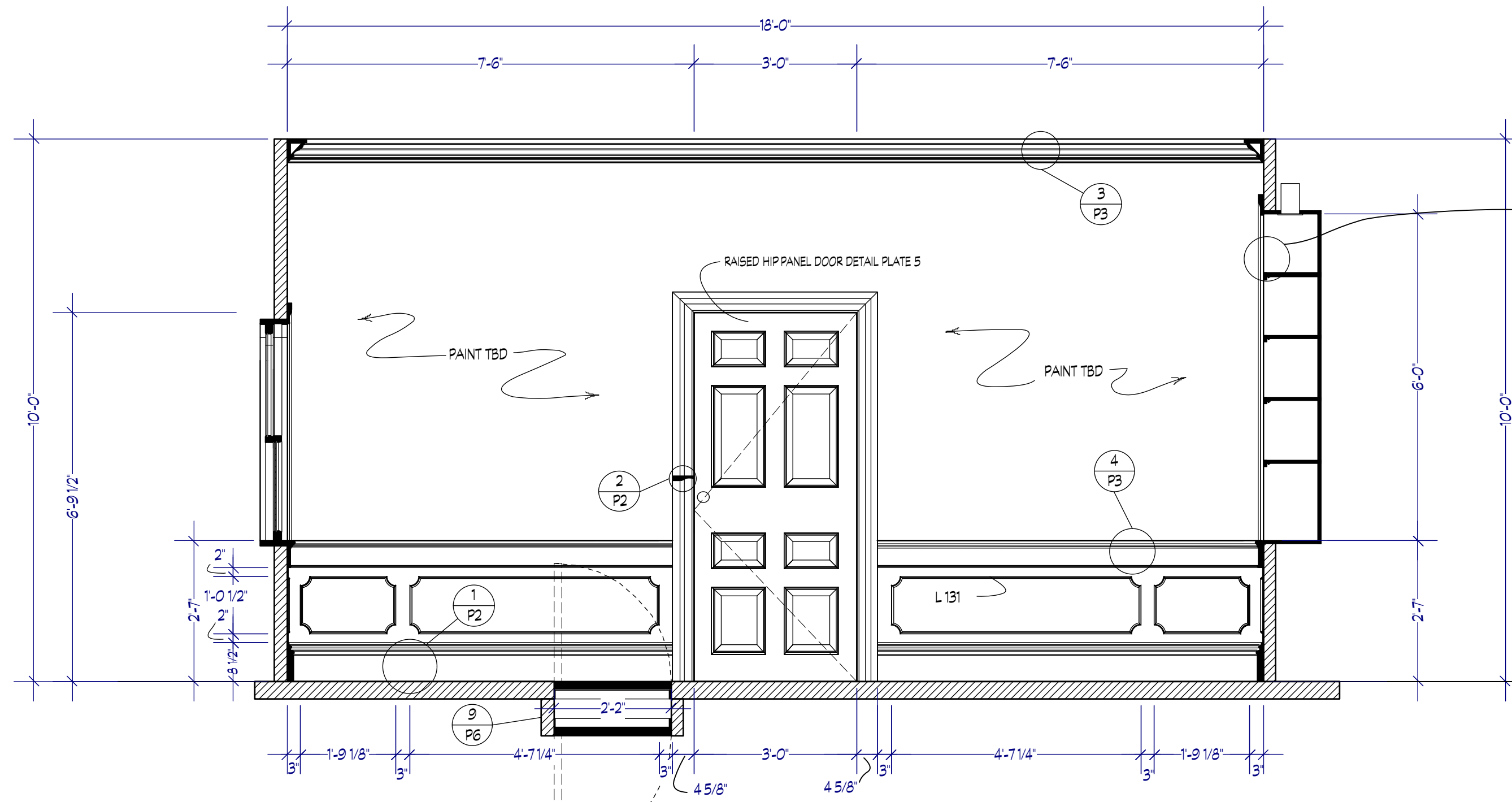


9/18/2015

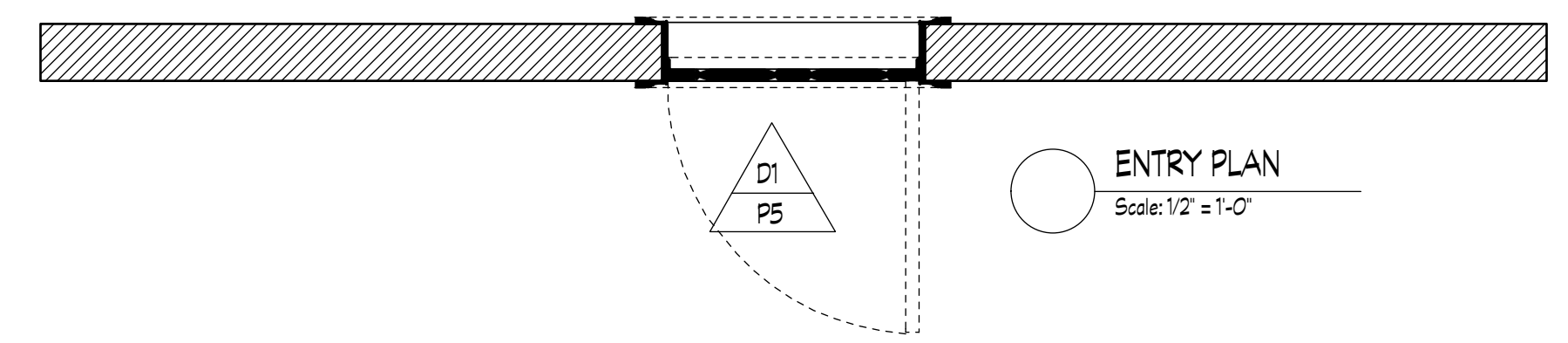
3" 2" 1" 0
TRUE SIZE SCALE CHECK



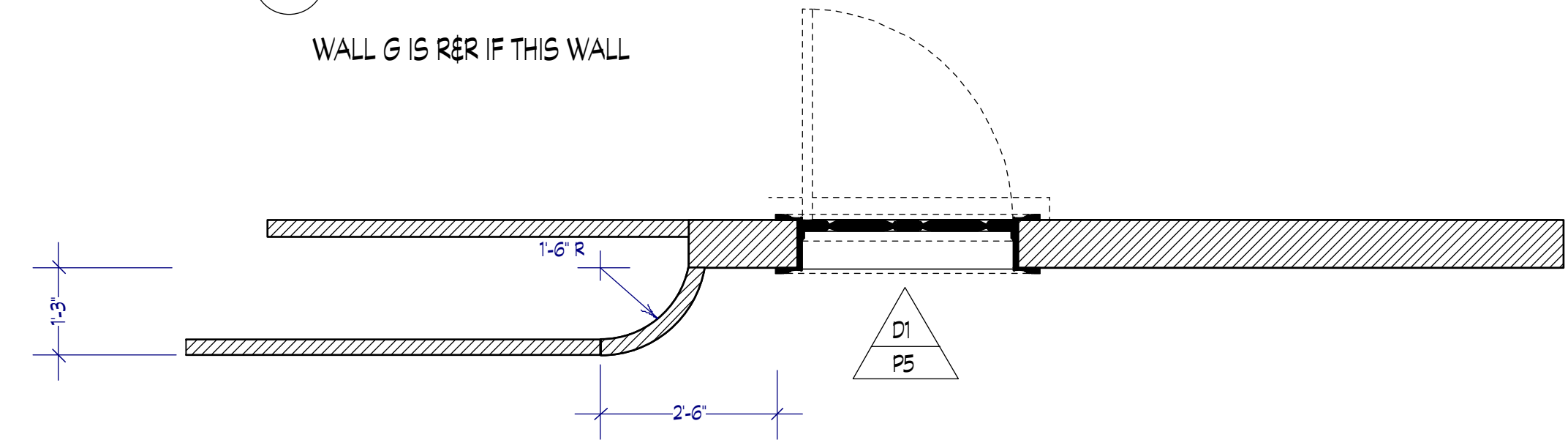
THE CODE 	DIRECTOR: JAMES DEMOLUCCO PRODUCTION DESIGNER: SHARON LUDWIGSKY ART DIRECTOR: DAVID BLANKENSHIP	SET NAME: WASHINGTON BROWNSTONE DEN LOCATION: PRODUCTION STAGE	SHEET # 2 OF																				
	DESCRIPTION: ELEVATIONS 3RD FLOOR DEN SET #: 112B DATE: 9/15/2015	DRAWN BY: M. FAHRER SCALE: AS NOTED	<table border="1"> <tr> <td>2</td> <td>3</td> <td>1</td> <td>2</td> <td>1</td> <td>2</td> <td>1</td> <td>1</td> <td>1</td> <td>1</td> </tr> <tr> <td>ART</td> <td>CONST</td> <td>SCENIC</td> <td>SET DEC</td> <td>PROPS</td> <td>PROP</td> <td>ELEC</td> <td>GRP</td> <td>LOC</td> <td>CAMERA</td> </tr> </table>	2	3	1	2	1	2	1	1	1	1	ART	CONST	SCENIC	SET DEC	PROPS	PROP	ELEC	GRP	LOC	CAMERA
2	3	1	2	1	2	1	1	1	1														
ART	CONST	SCENIC	SET DEC	PROPS	PROP	ELEC	GRP	LOC	CAMERA														



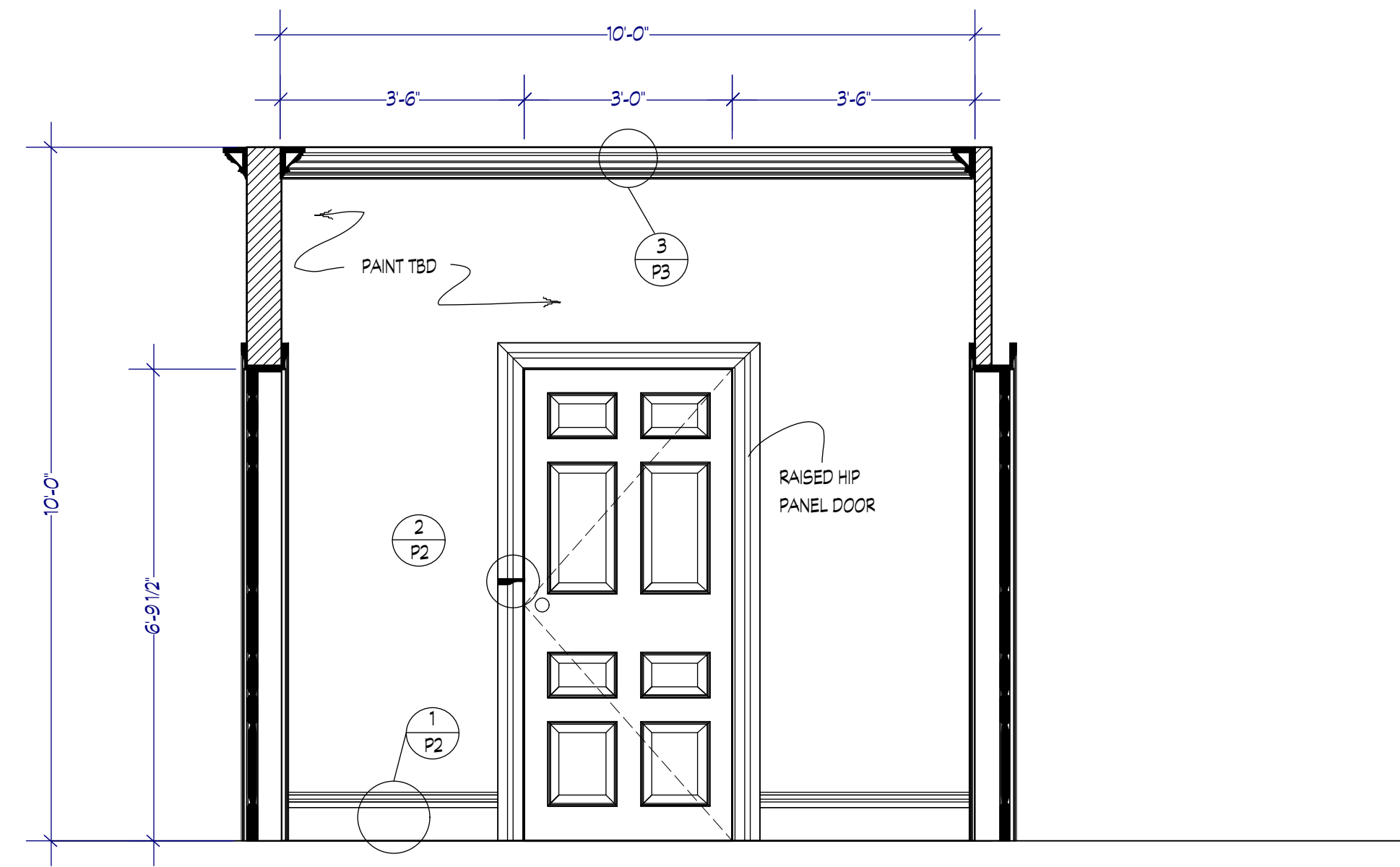
D ENTRY ELEVATION W/ SECTION OF WINDOW AND SHELVES
Scale: 1/2" = 1'-0"



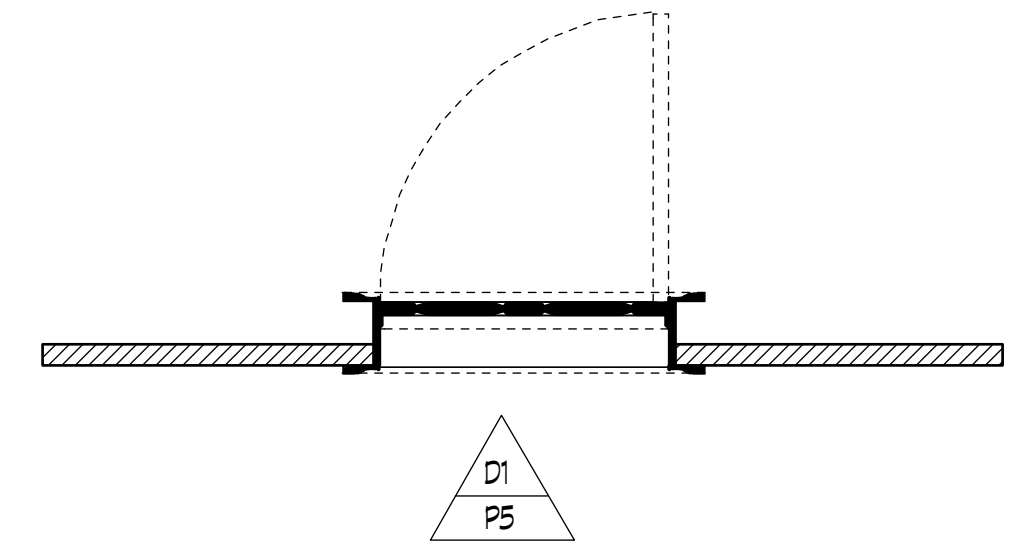
E HALLWAY ENTRANCE TO DEN ELEVATIONS W/ SECTION THROUGH WALL F
Scale: 1/2" = 1'-0"
WALL G IS R&R IF THIS WALL



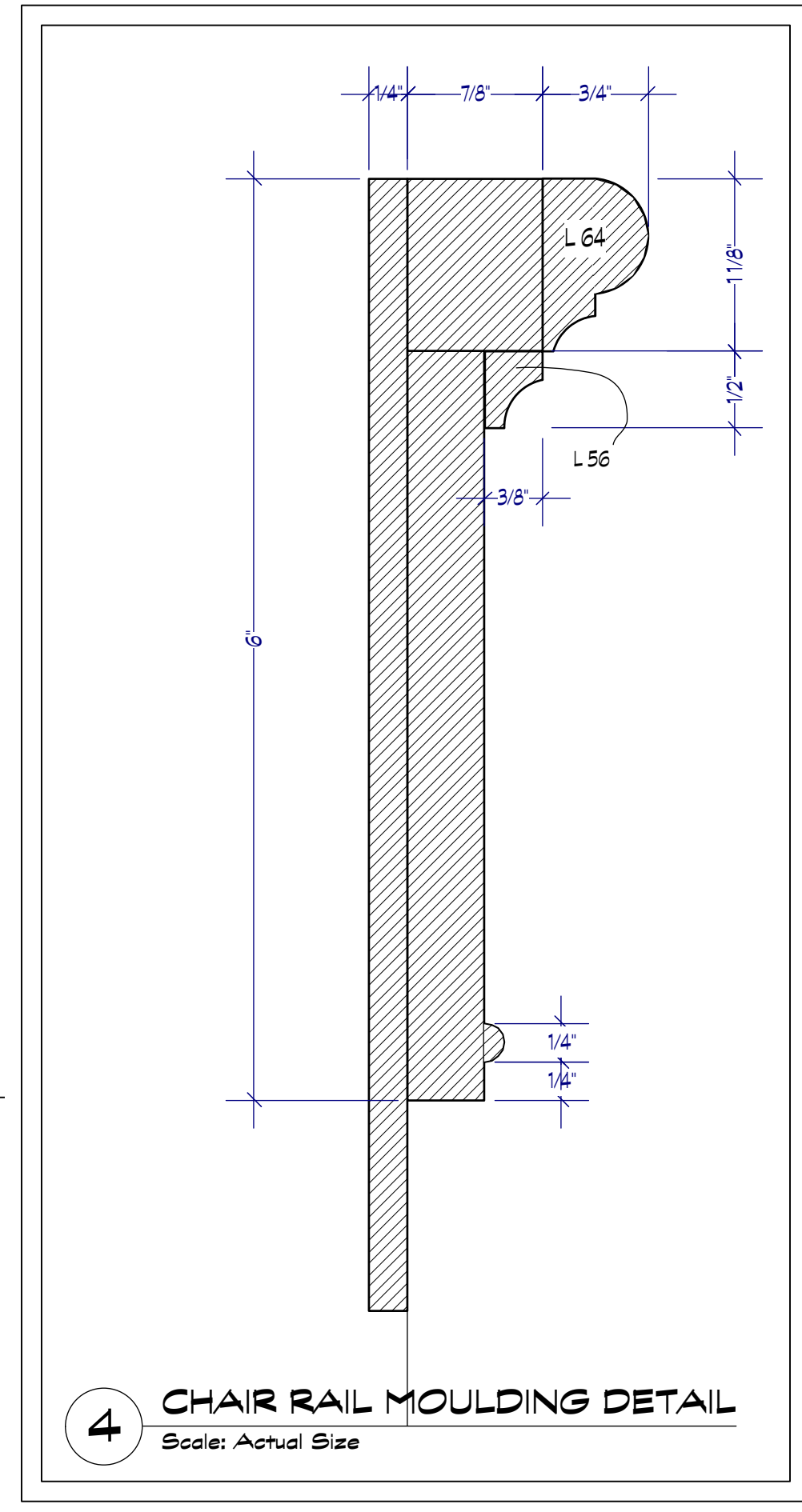
HALLWAY ENTRANCE TO DEN PLAN
Scale: 1/2" = 1'-0"



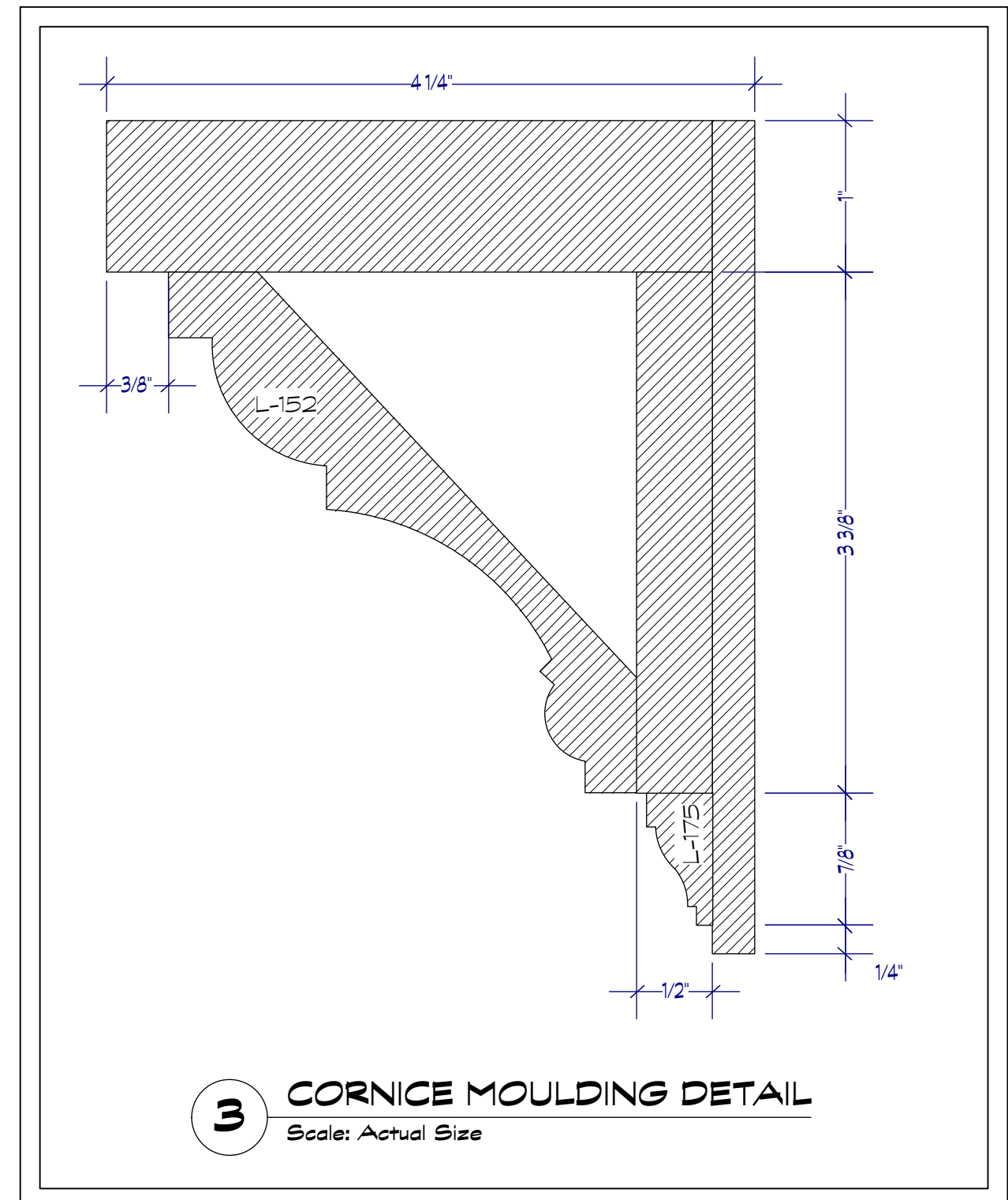
F HALLWAY DOOR ELEVATION W/ SECTION OF WALL G & E
Scale: 1/2" = 1'-0"



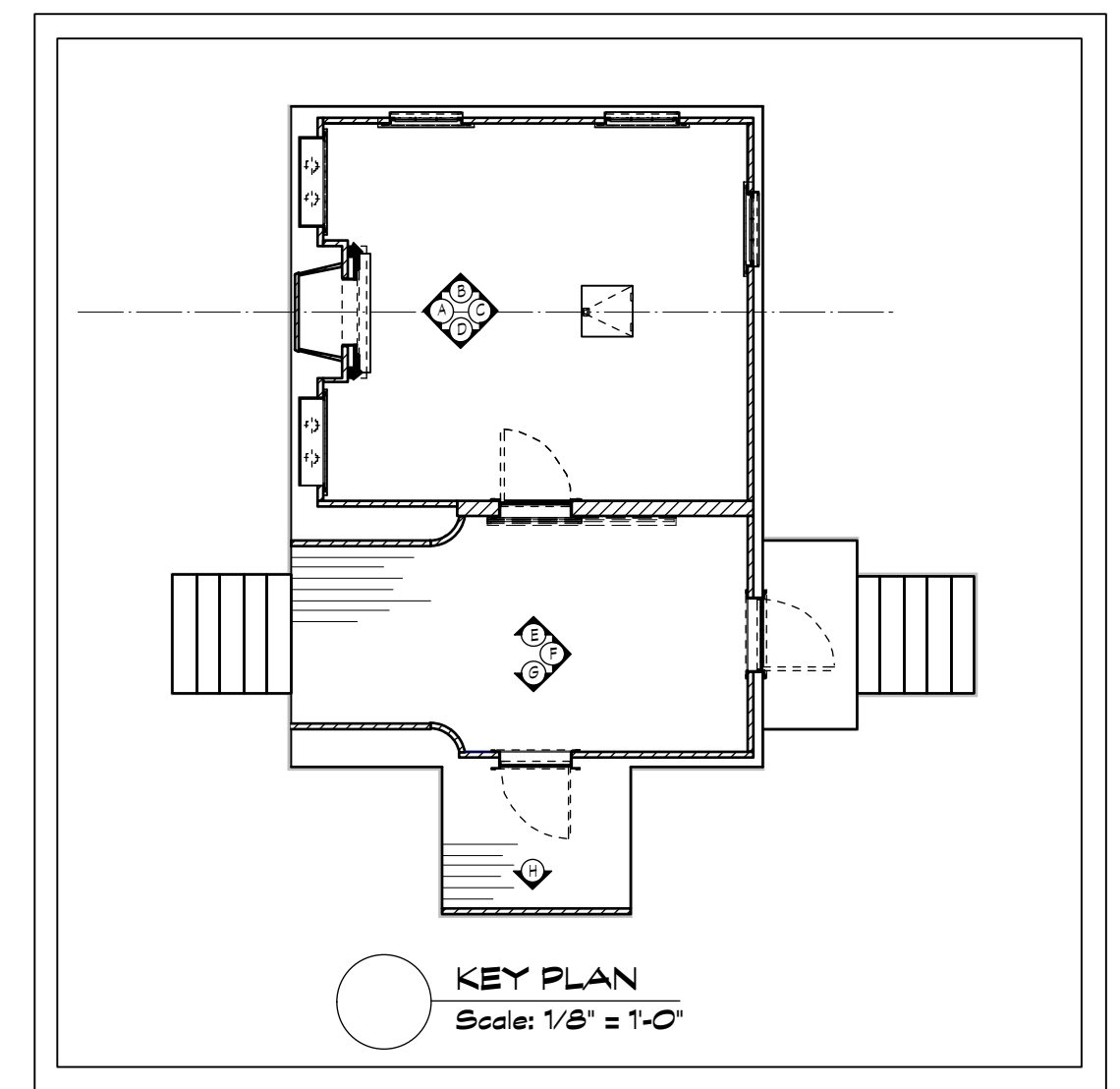
HALLWAY DOOR PLAN
Scale: 1/2" = 1'-0"



4 CHAIR RAIL MOULDING DETAIL
Scale: Actual Size

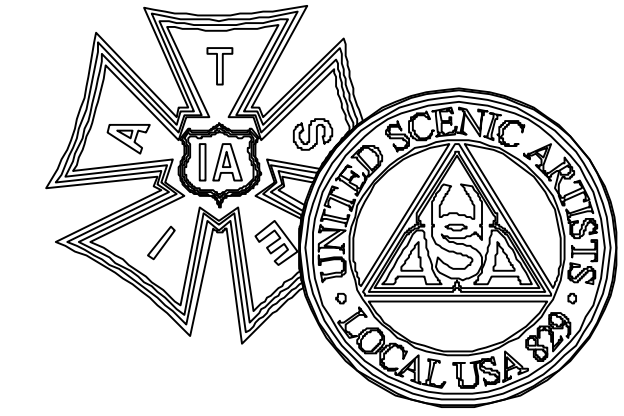
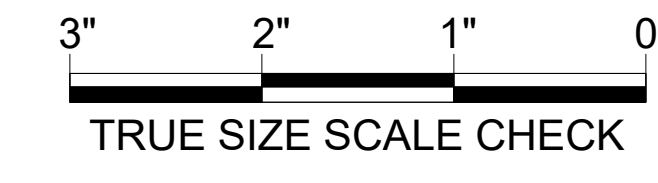


3 CORNICE MOULDING DETAIL
Scale: Actual Size

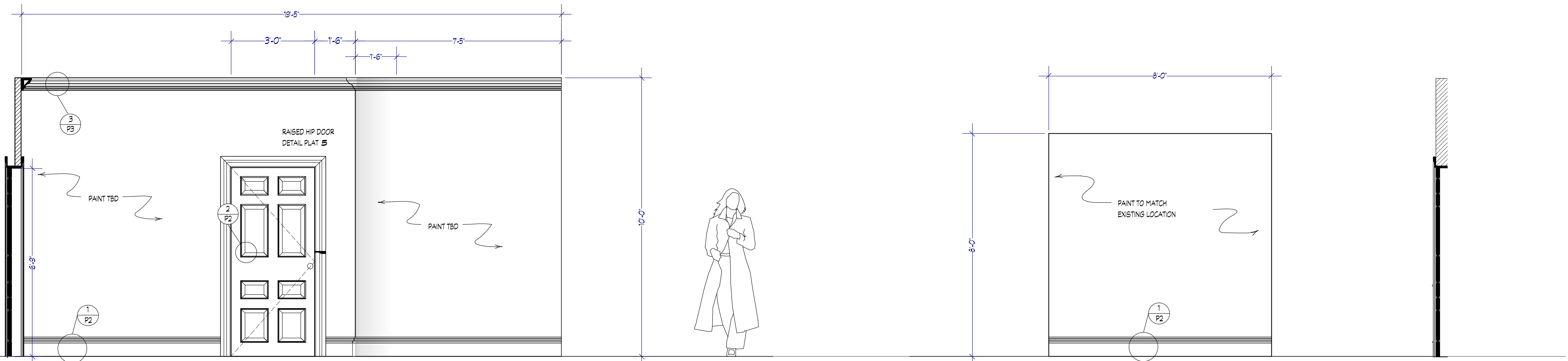


KEY PLAN
Scale: 1/8" = 1'-0"

9/18/2015

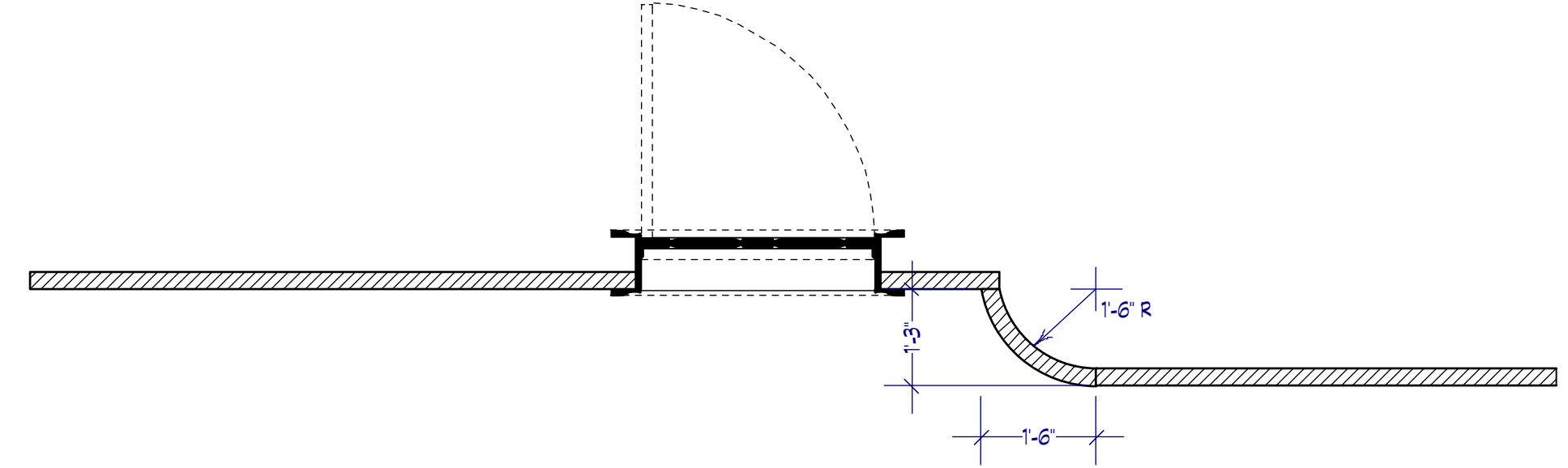


		THE CODE DIRECTOR: JAMES DEMOLIACO PRODUCTION DESIGNER: SHARON LOMDOFSKY ART DIRECTOR: DAVID BLANKENSHIP		SET NAME: WASHINGTON BROWNSTONE DEN LOCATION: PRODUCTION STAGE						
		DESCRIPTION: ELEVATIONS 3RD FLOOR DEN SET #: 112B DATE: 9/15/2015		DRAWN BY: M. FAHRER SCALE: AS NOTED						
2	3	1	2	1	2	1	1	1	1	1
ART	CONST.	SCENIC	SET DEC.	PROPS	PROP.	ELEC.	GRP.	LOC.	CAMERA	
SHEET # 3 OF										



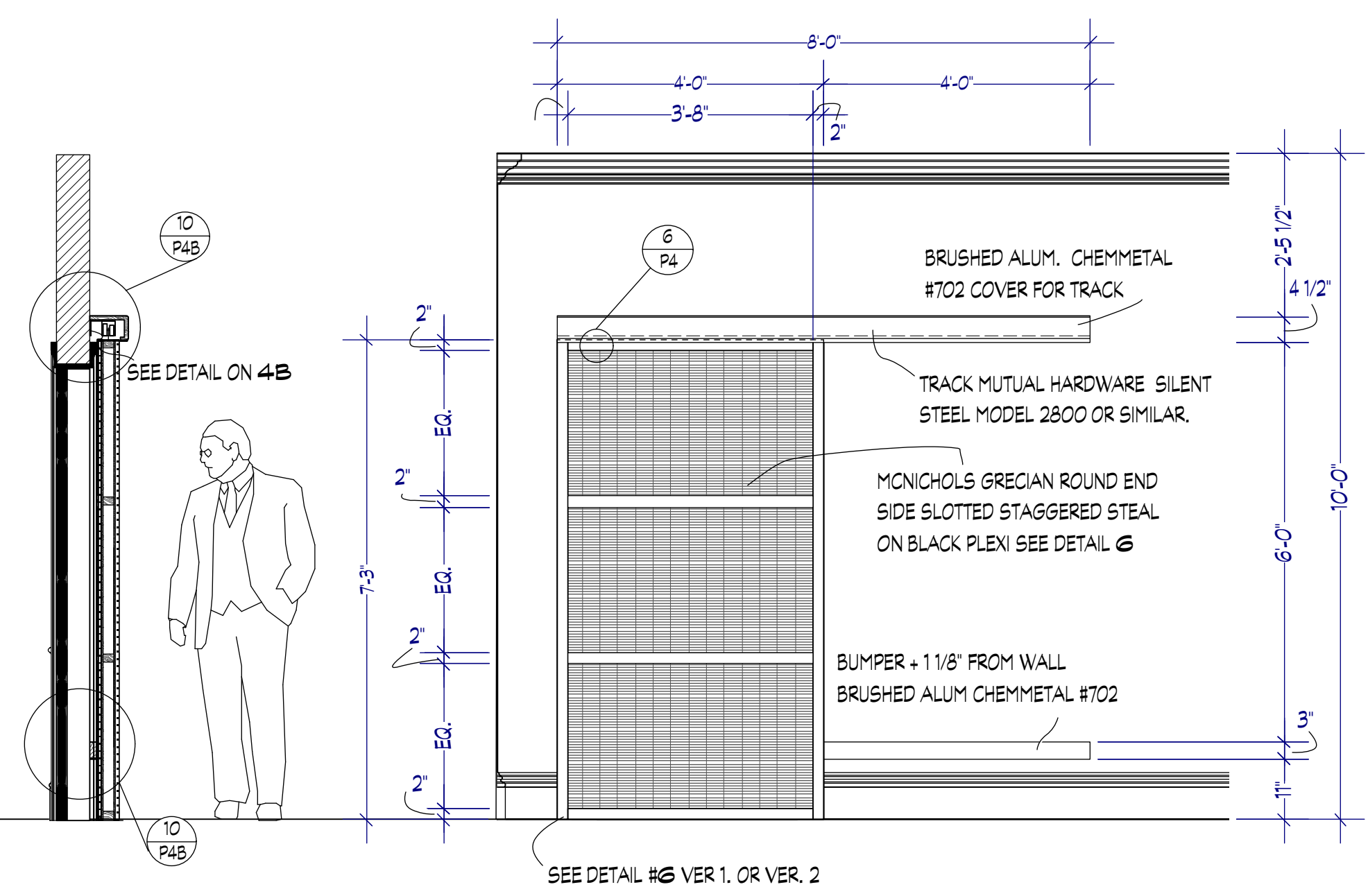
G HALLWAY DOOR ELEVATION W/ SECTION OF WALL F
Scale: 1/2" = 1'-0"

H WILD BACKING WALL ELEVATION
Scale: 1/2" = 1'-0"

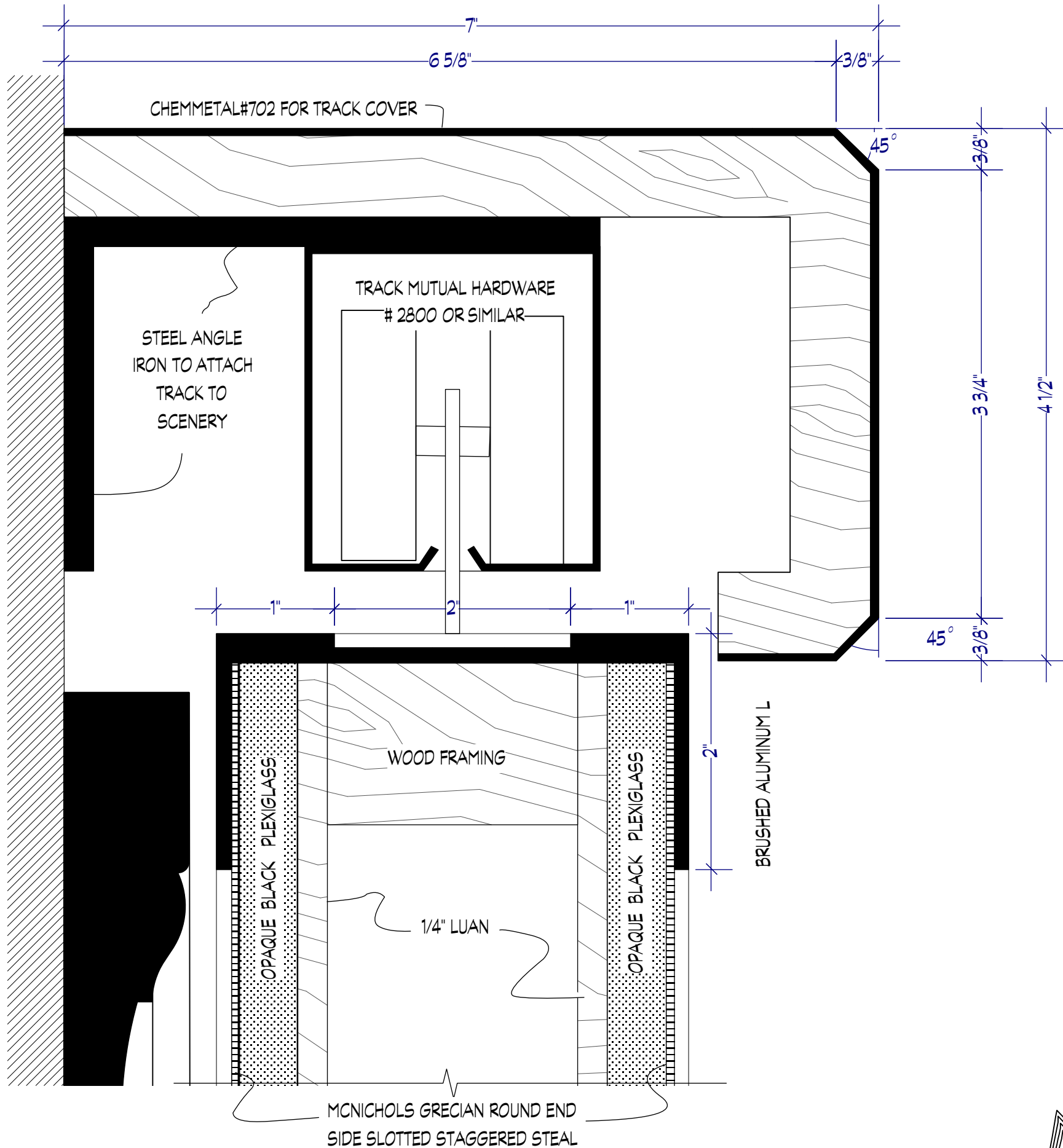


HALLWAY DOOR PLAN
Scale: 1/2" = 1'-0"

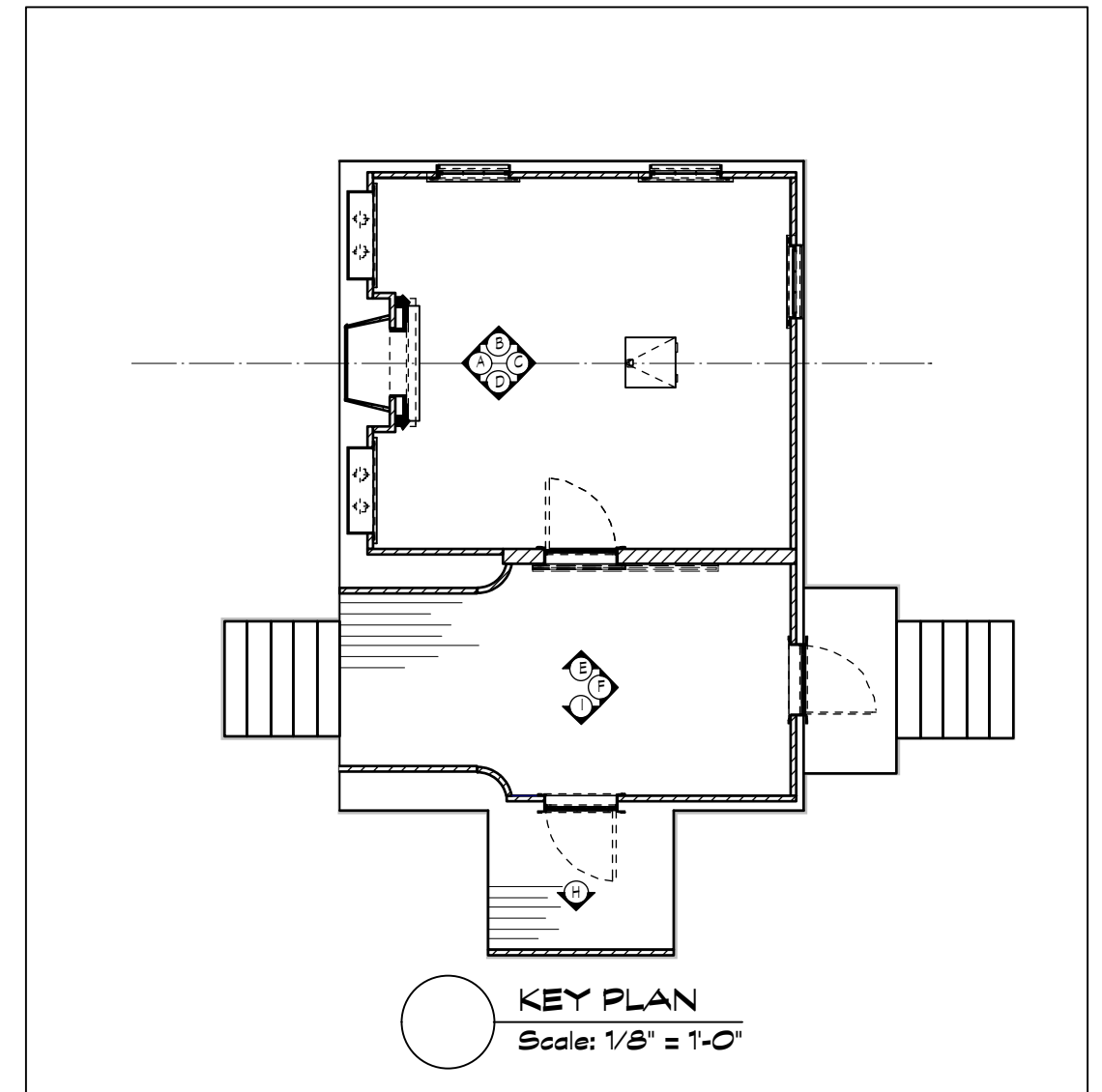
BACKING WILD WALL PLAN
Scale: 1/2" = 1'-0"



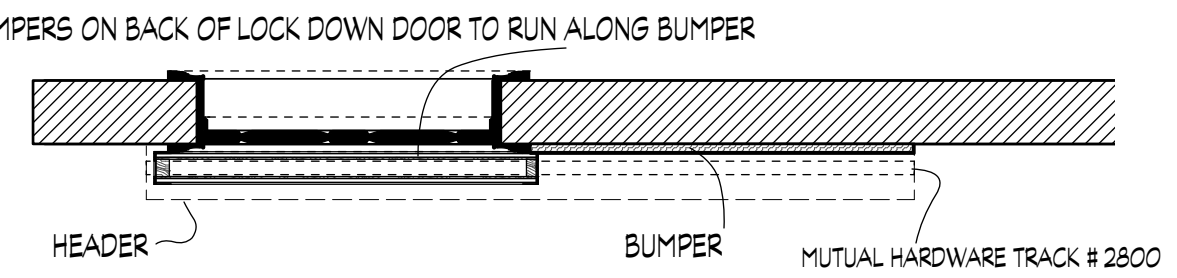
E1 LOCK DOWN DOOR FRONT ELEVATION W SECTION OF WALL E
Scale: 1/2" = 1'-0"



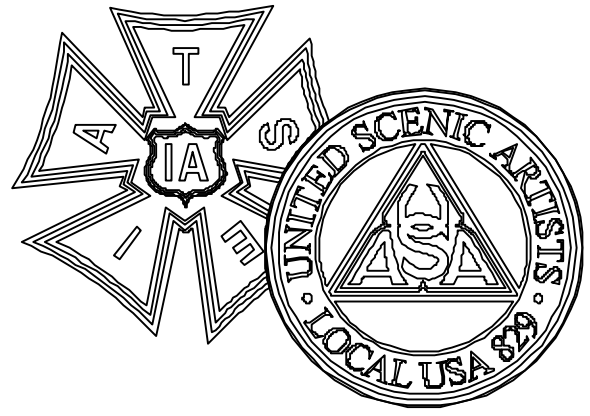
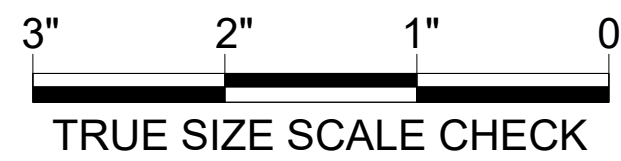
G LOCKDOWN DOOR DETAIL VER. 1
Scale: Actual Size



KEY PLAN
Scale: 1/8" = 1'-0"

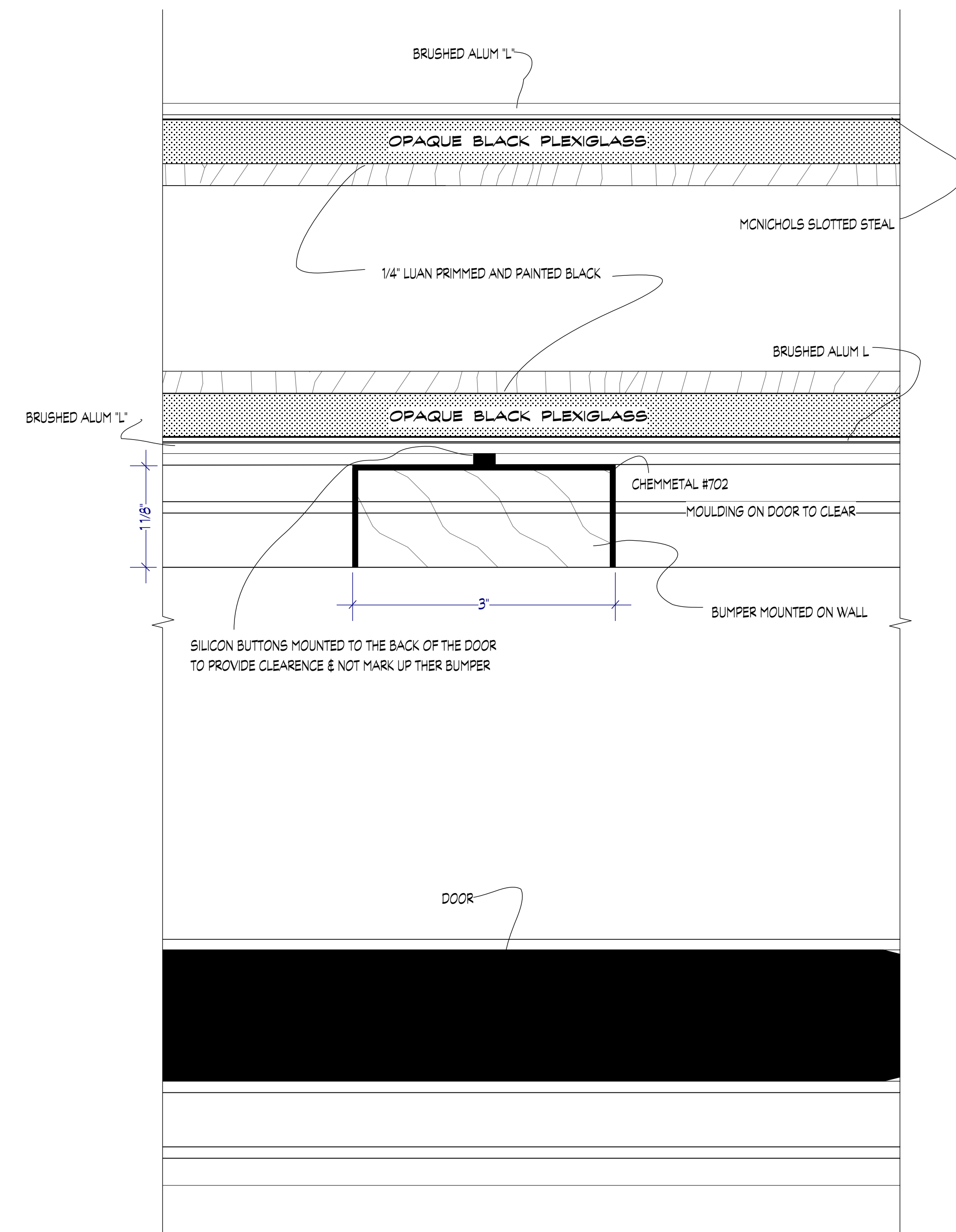
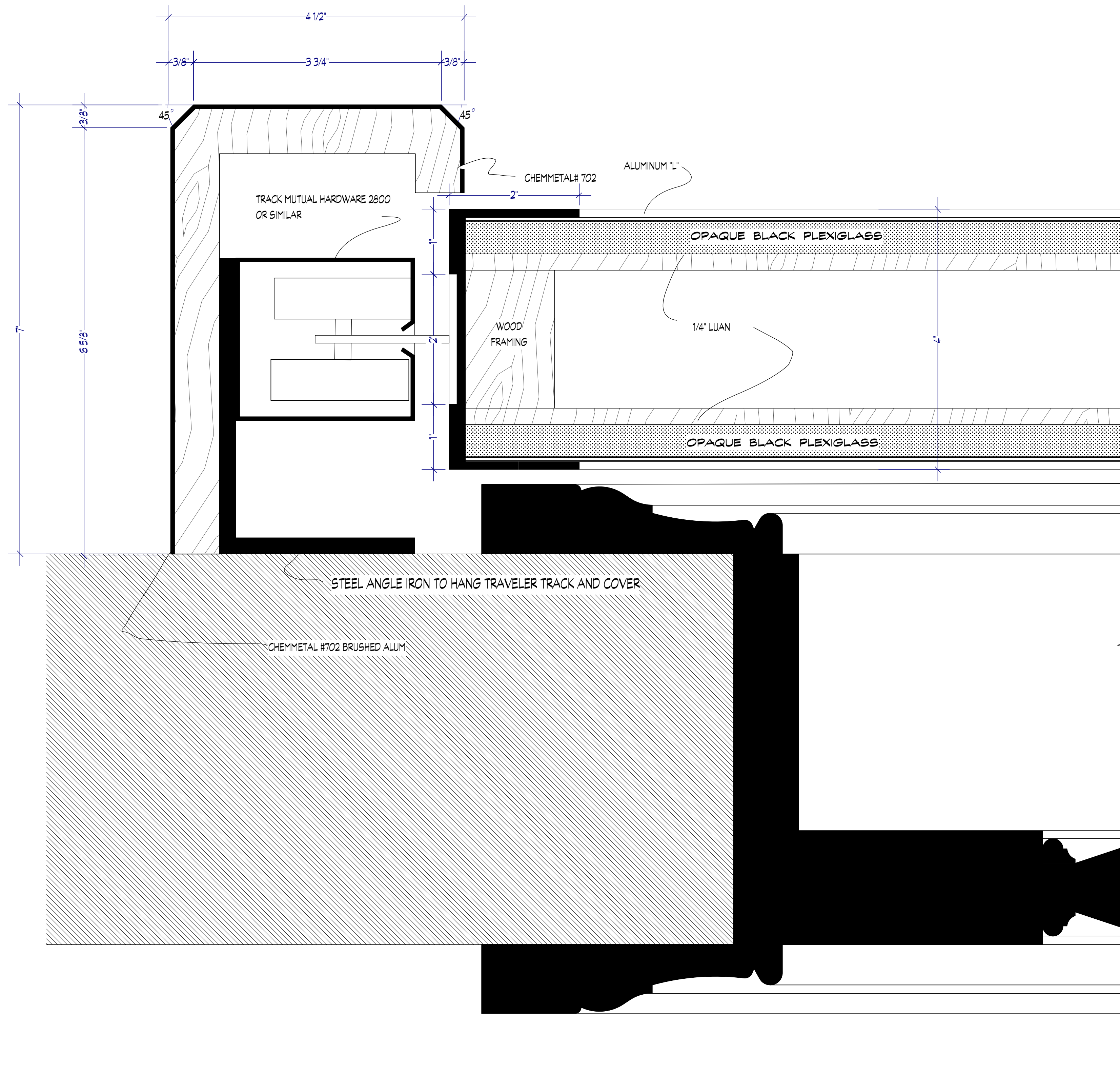


SECURITY DOOR PLAN
Scale: 1/2" = 1'-0"

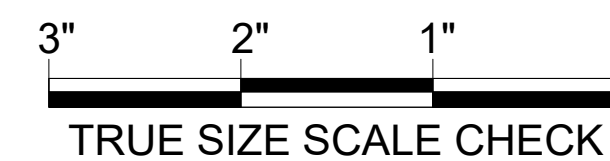


9/19/2015

		THE CODE DIRECTOR: JAMES DEMOLIACO PRODUCTION DESIGNER: SHARON LOMCOFSKY ART DIRECTOR: DAVID BLANKENSHIP		SET NAME: WASHINGTON BROWNSTONE DEN LOCATION: PRODUCTION STAGE						
		DESCRIPTION: ELEVATIONS 3RD FLOOR DEN SET #: 112B DATE: 9/15/2015		DRAWN BY: M. FAHRER SCALE: AS NOTED						
ART	COST	SCENIC	SET DEC.	PROPS	PROP.	ELEC.	GRIP	LOC.	CAMERA	SHEET # 4 OF

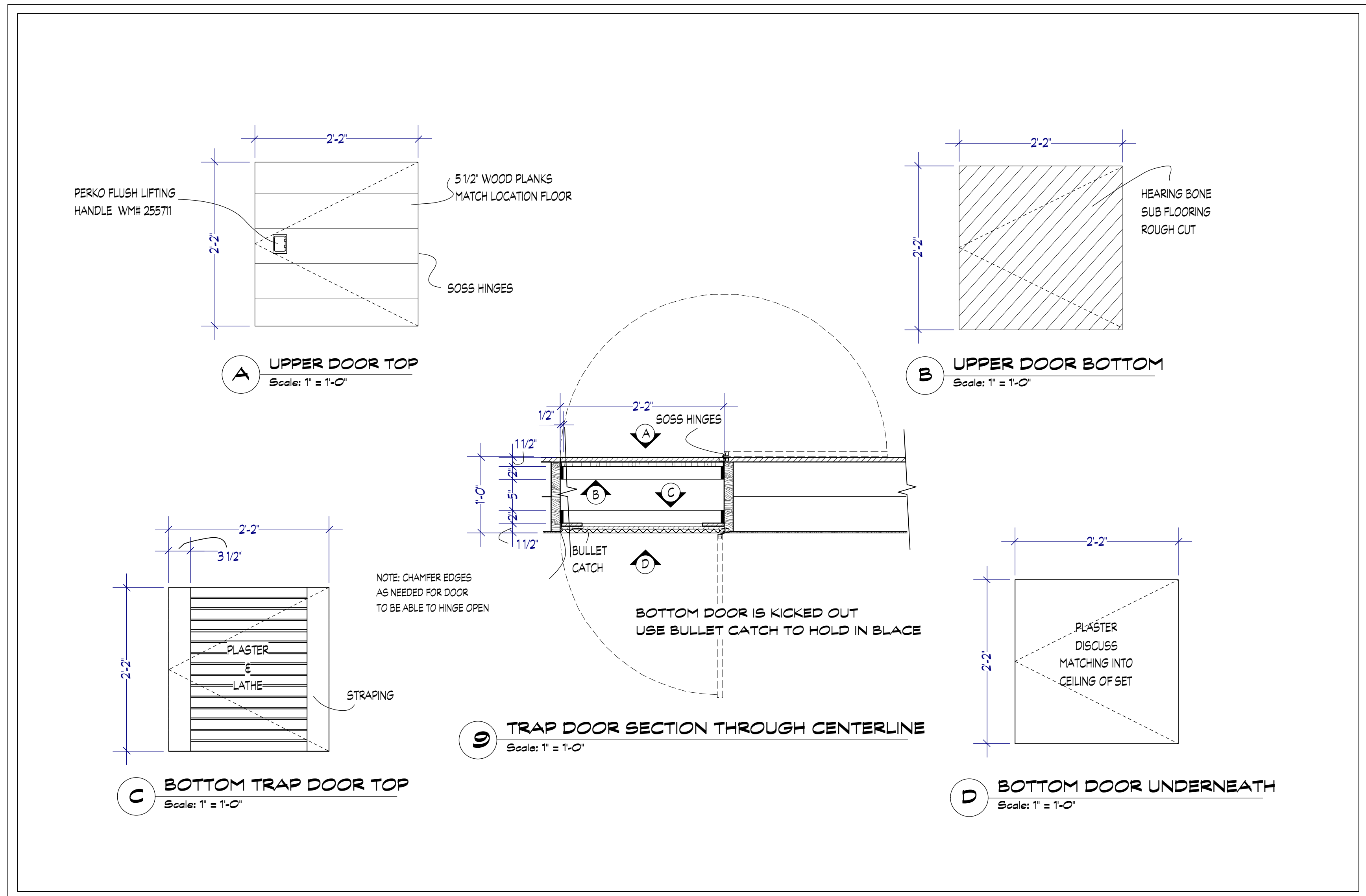


10 LOCK DOWN DOOR DETAILS
Scale: Actual Size



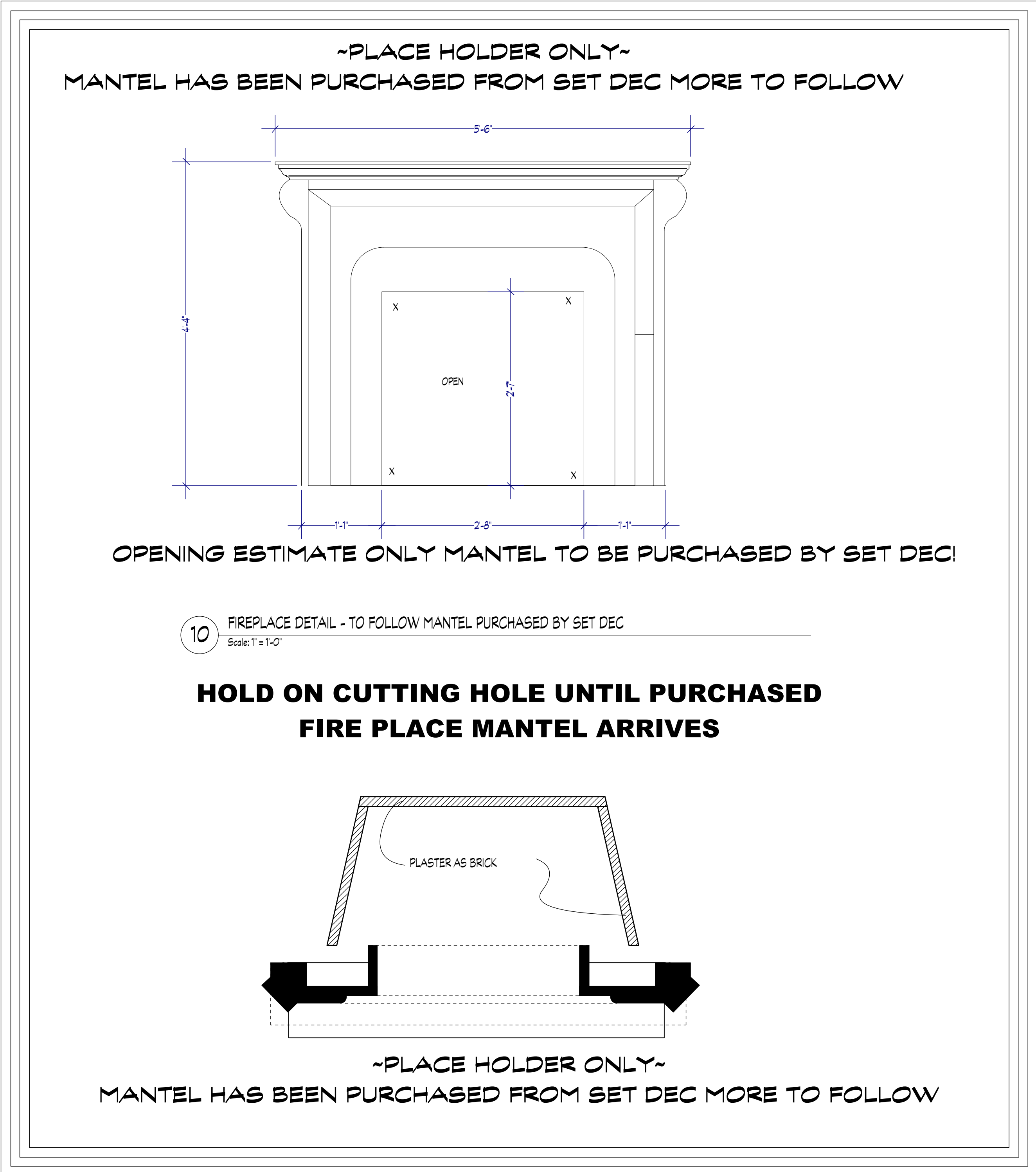
		DIRECTOR: JAMES DEMOLICO PRODUCTION DESIGNER: SHARON LOMDOFSKY ART DIRECTOR: DAVID BLANKENSHIP		SET NAME: WASHINGTON BROWNSTONE DEN LOCATION: PRODUCTION STAGE	
		DESCRIPTION: LOCK DOWN DOOR DETAIL 3RD FLOOR DEN		SHEET#	
SET#: 112B		DRAWN BY: M. FAHRER			
DATE: 9/15/2015		SCALE: FULL SCALE			
2	3	1	2	1	2
ART	CONST	SCENIC	SET DEC	PRCP	ELEC
					1
					1
					1
					CAMERA
					4B OF

9/22/2015

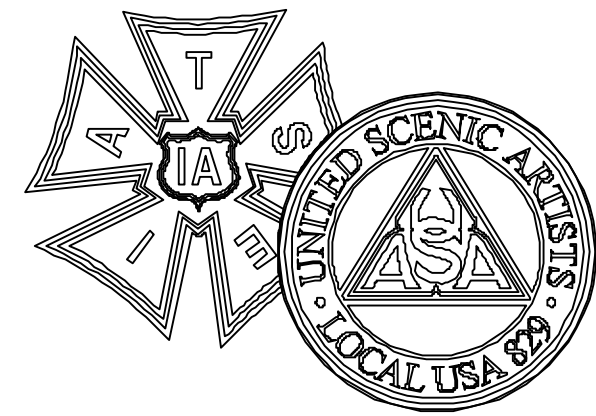
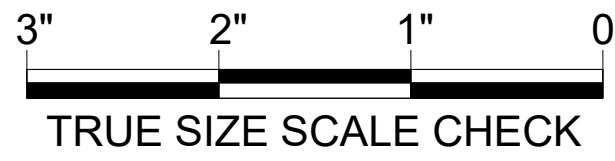


TO FOLLOW:

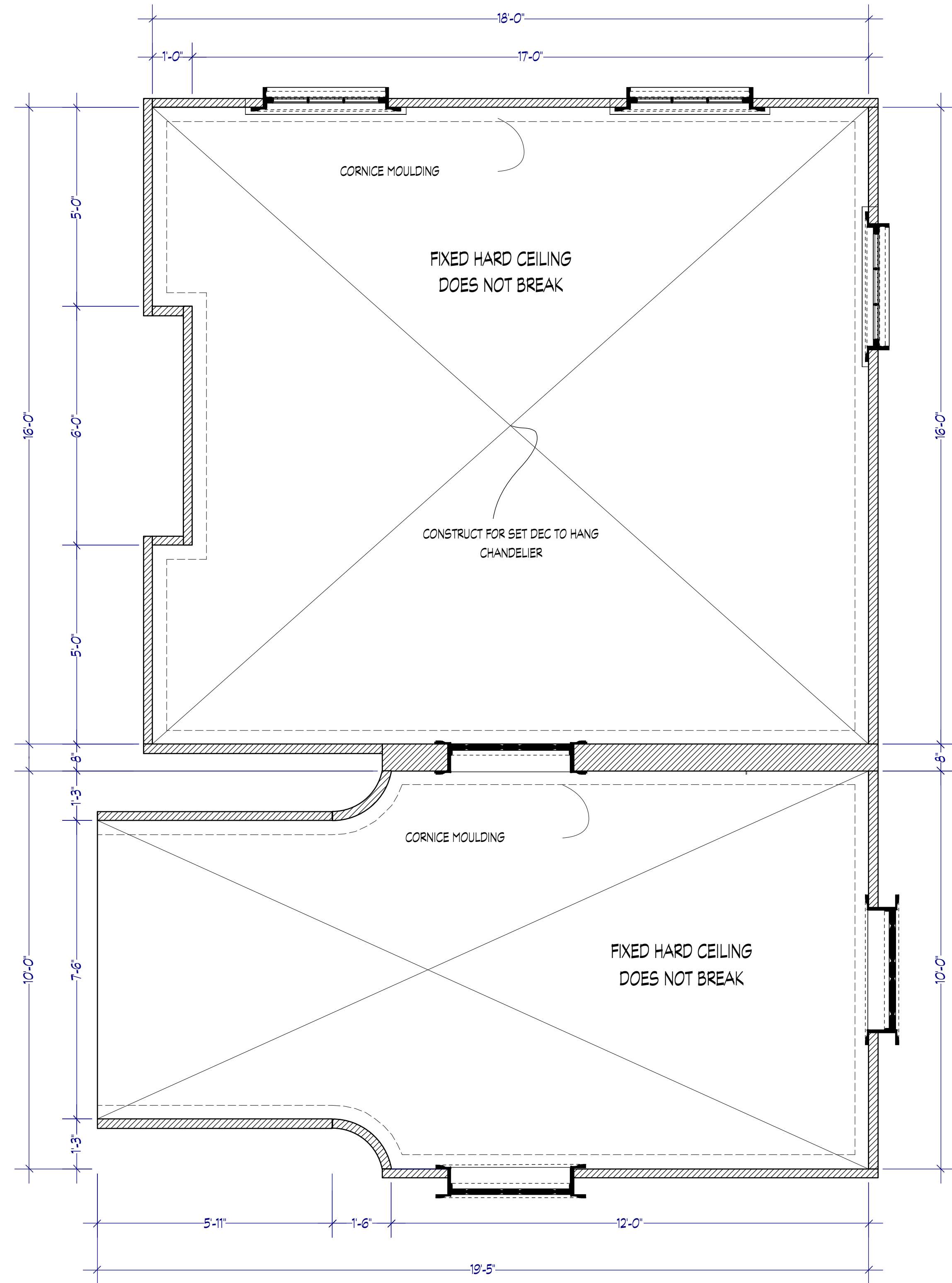
- FIREPLACE DETAILS
- CEILING PLAN
- MORE DETAILS ON LOCKDOWN DOOR



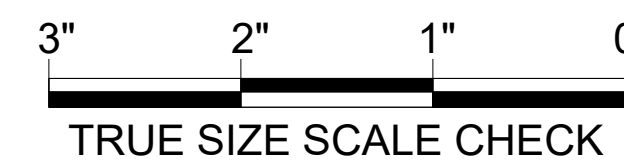
9/18/2015



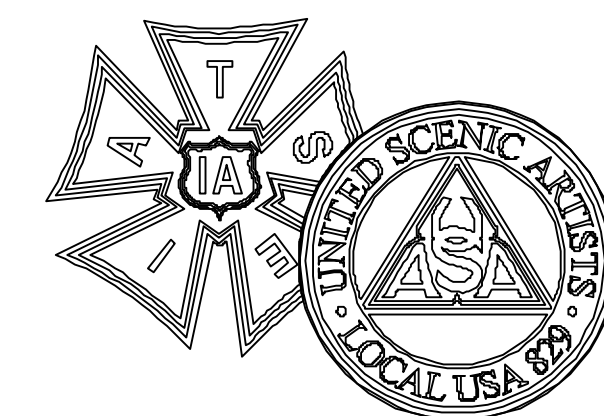
THE CODE		DIRECTOR: JAMES DEMOLIACO		SET NAME: WASHINGTON BROWNSTONE DEN	
ASSASSINUS PRODUCTIONS 275 WEST LANTICK ROAD SUITE 400 WARWICK, RI 02886 ART DEPARTMENT 401.721.5475		PRODUCTION DESIGNER: SHARON LOMCOFSKY		LOCATION: PRODUCTION STAGE	
ART		ART DIRECTOR: DAVID BLANKENSHIP		SHEET#	
DESCRIPTION: ELEVATIONS 3RD FLOOR DEN		DRAWN BY: M. FAHRER		6 OF	
SET #: 112B		SCALE: AS NOTED			
DATE: 9/17/2015		ART		CAMERA	
2	3	1	2	1	1
ART	CONST	SCENIC	SET DEC	PROPS	ELEC
1	1	1	1	1	1
GRIP	LOC	CAMERA			



RC REFLECTED CEILING PLAN 3RD FLOOR DEN
Scale: 1/2" = 1'-0"



9/18/2015



		DIRECTOR: JAMES DEMOLIACO PRODUCTION DESIGNER: SHARON LOMOSKY ART DIRECTOR: DAVID BLANKENSHIP		SET NAME: WASHINGTON BROWNSTONE DEN LOCATION: PRODUCTION STAGE					
		DESCRIPTION: REFLECTED CEILING PLAN 3RD FLOOR DEN		SHEET#					
SET#: 1112B		DRAWN BY: M. FAHRER		7 OF					
DATE: 9/17 /2015		SCALE: 1/2" = 1'-0"							
2	3	1	2	1	2	1	1	1	1
ART	CONST	SCENIC	SET DEC	PROPS	PROP	ELEC	GRIP	LOC	CAMERA