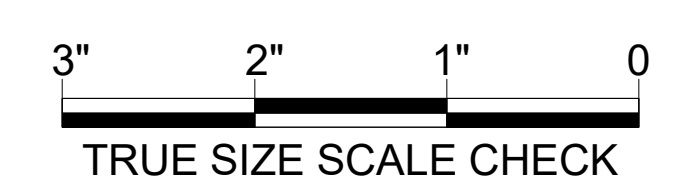


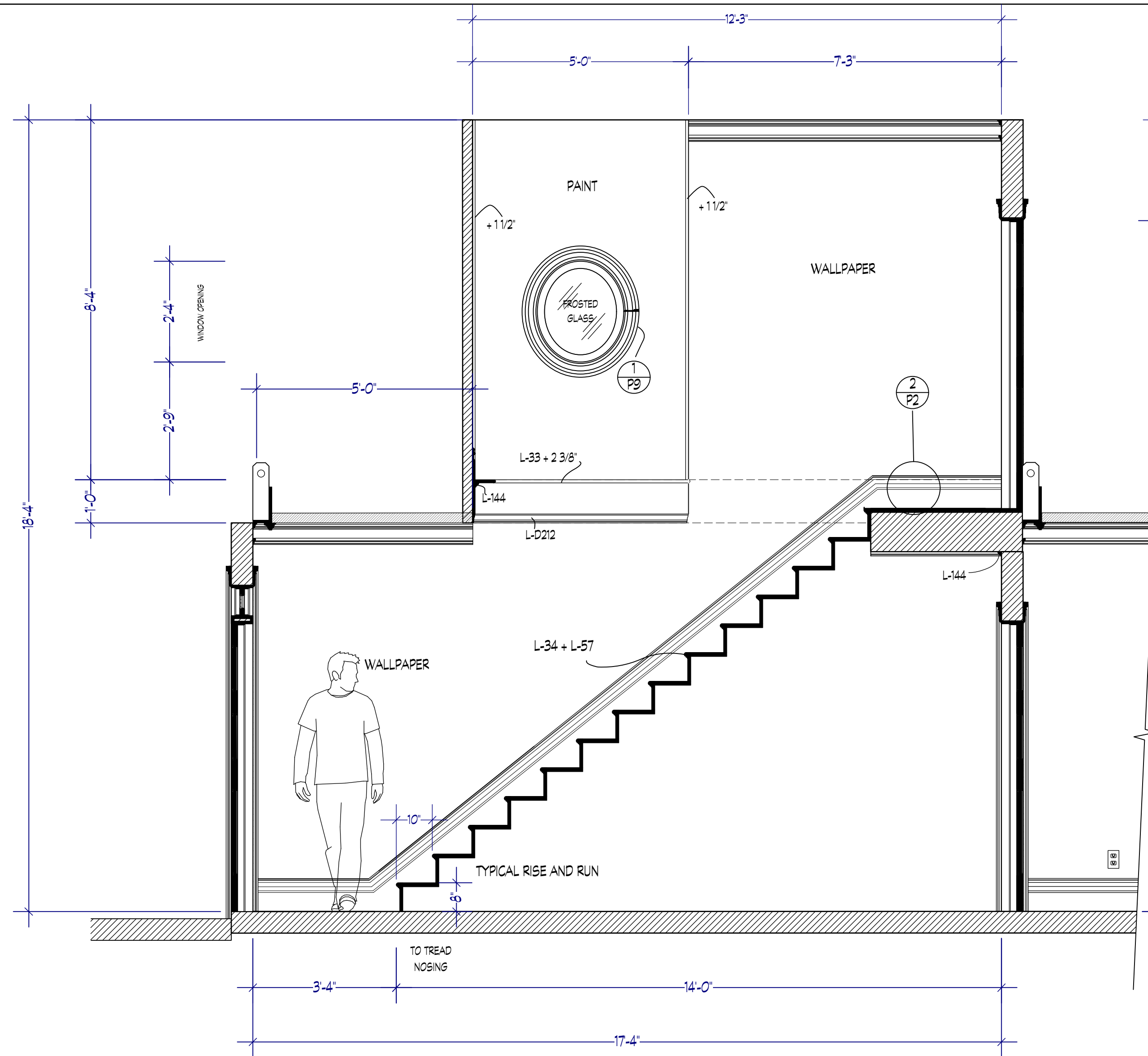
FARM HOUSE PLAN  
Scale: 3/8" = 1'-0"



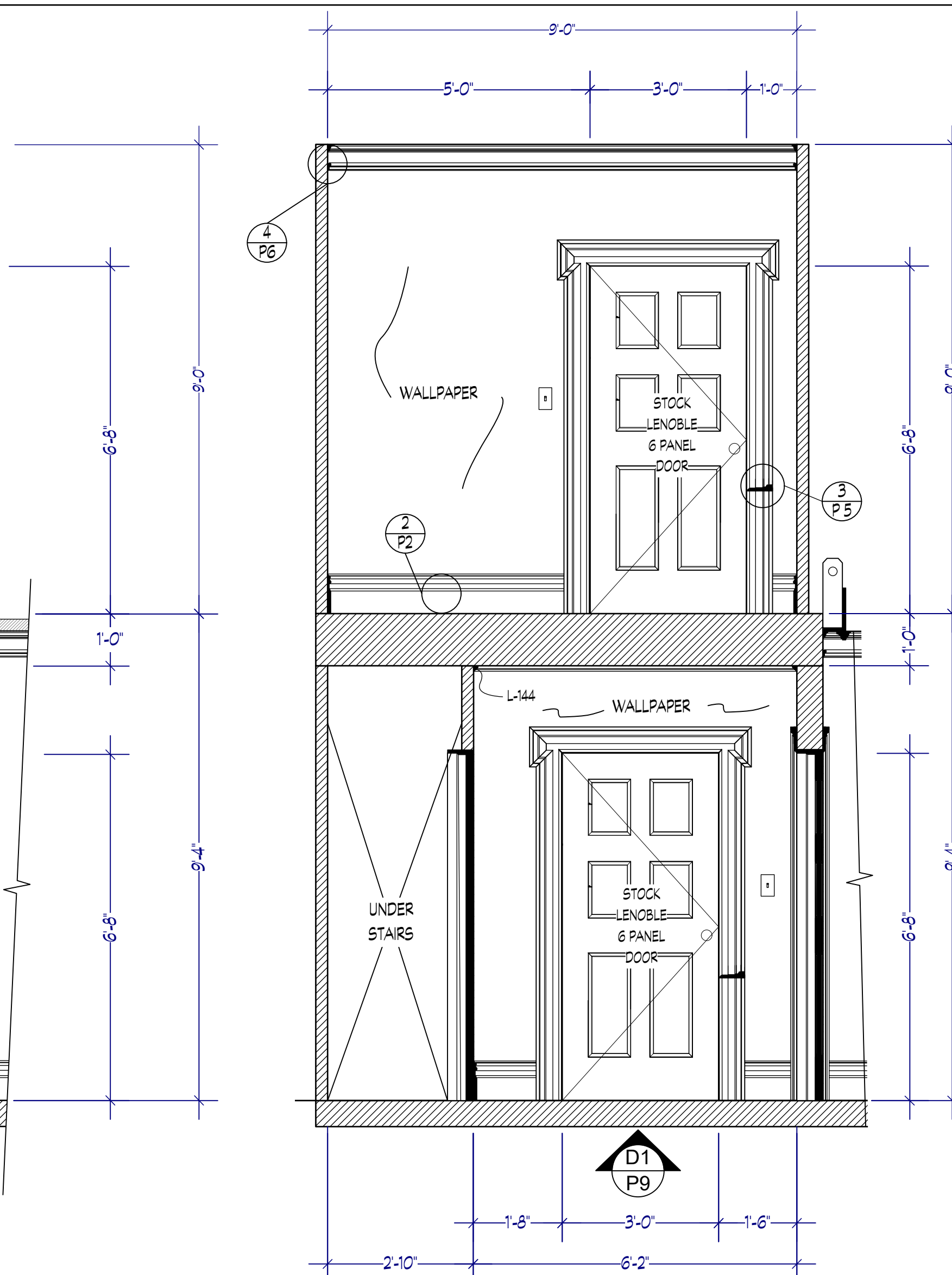
**NOTE SCALE IS: 3/8"=1'-0"**  
**RELEASED 1/12/2016**

**sneaky pete**

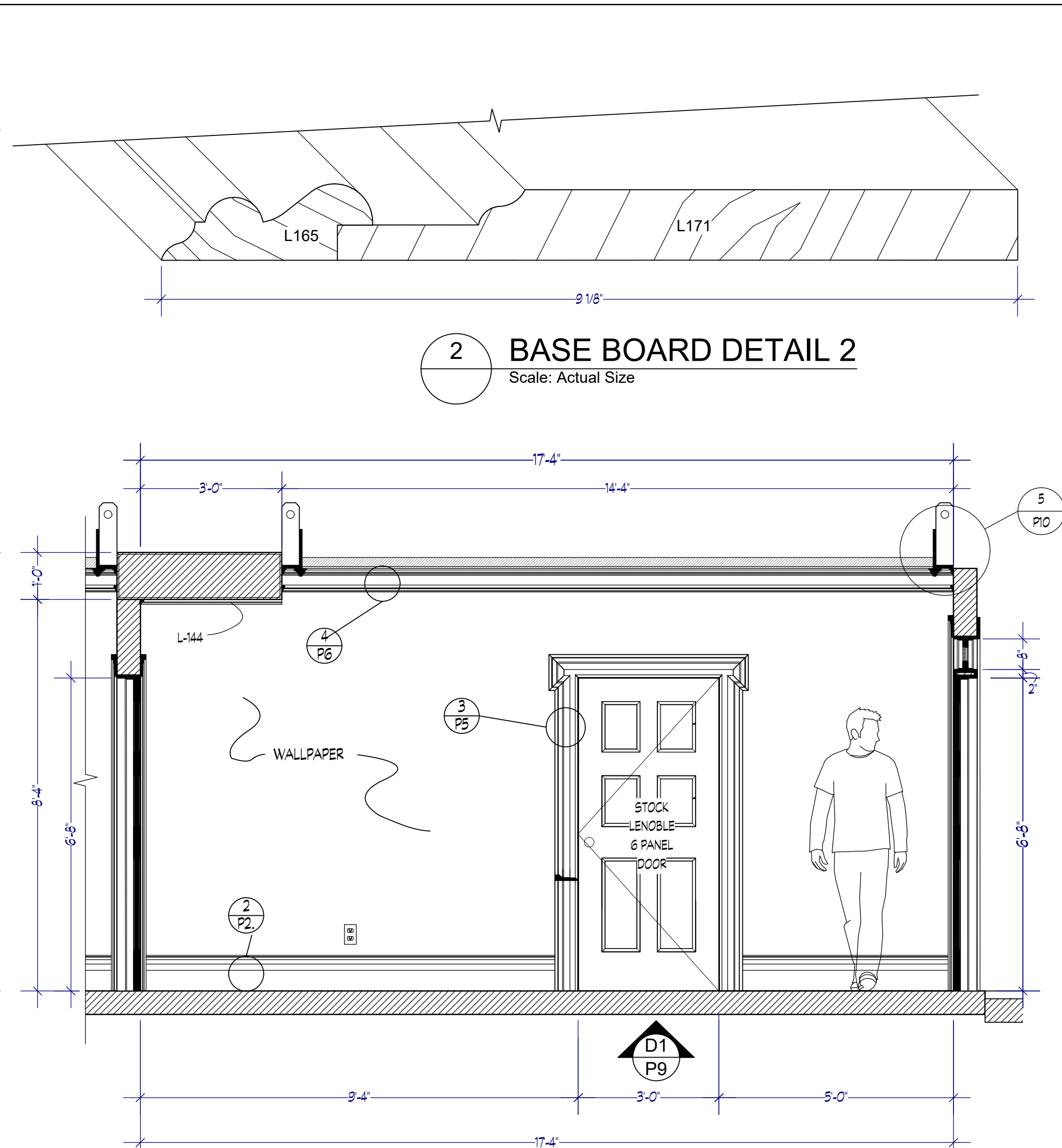
EPISODE: AMRT SCALE: 3/8"=1'-0"	DRAWING DATE: 12-12-16 REVISIONS: 
SET NO. & DESCRIPTION: 101 AMORT INT. FARMHOUSE LOCATION: STAGE 24, BROADWAY STAGES	
PRODUCTION DESIGNER: JONATHAN A. CARLSON ART DIRECTOR: Rick Dennis DRAWING BY: MDF	
FARM HOUSE	
EP NO. AMRT SET NO. 101 DWG NO. 1 of 11	



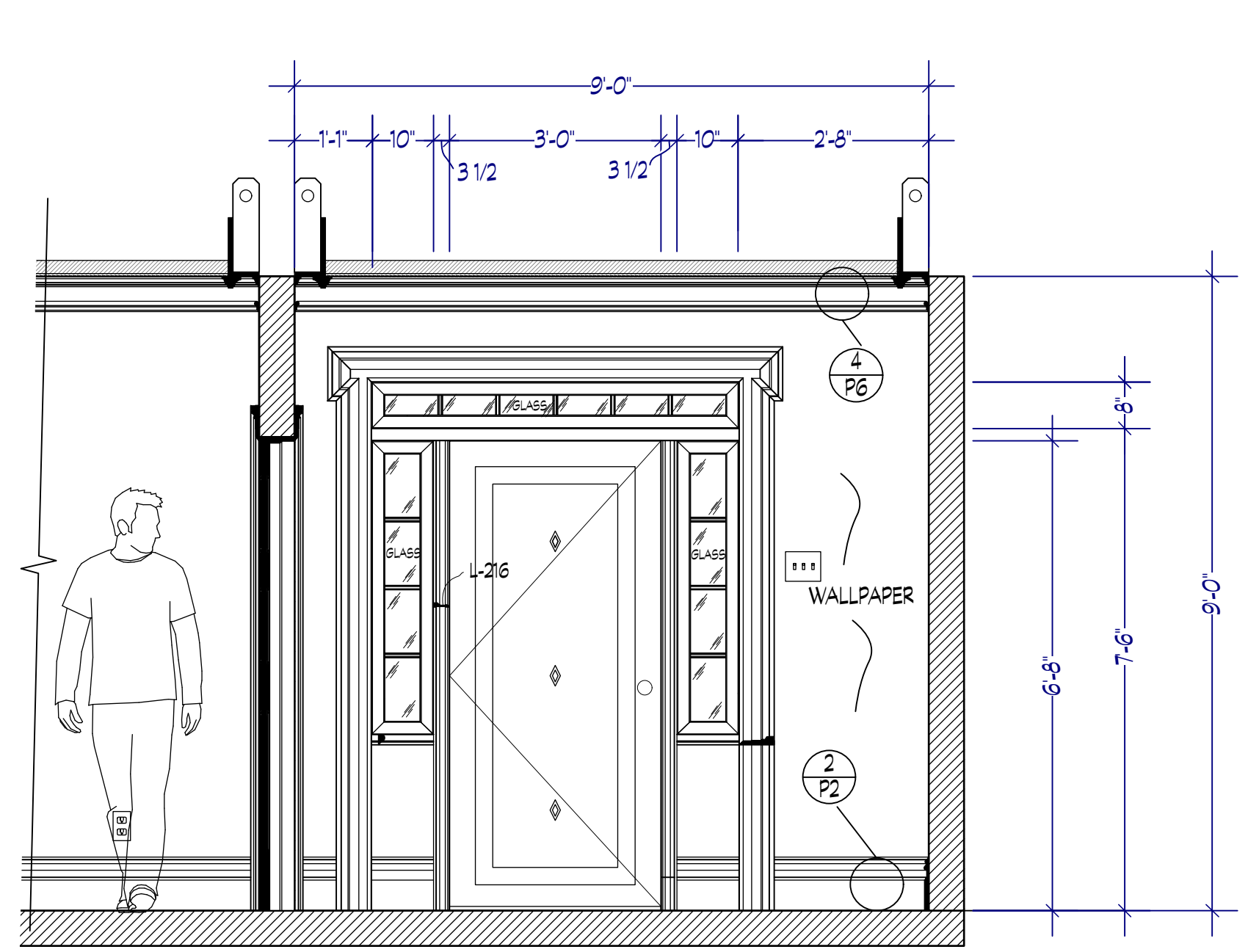
**A**  
2  
FOYER SECTION THROUGH STAIR ELEVATION  
Scale: 1/2" = 1'-0"



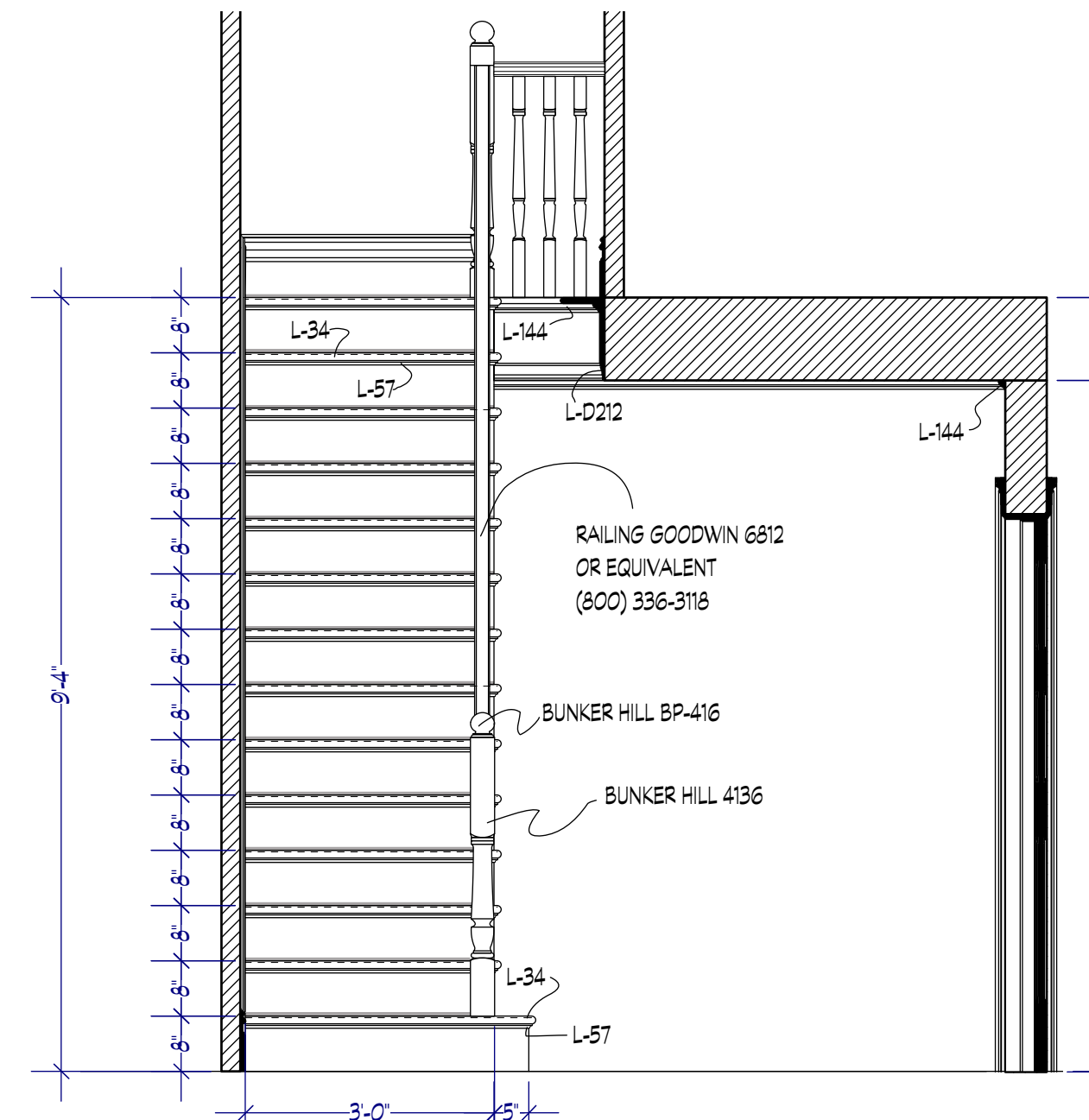
**B**  
2  
FOYER TO OFFICE ELEVATION  
Scale: 1/2" = 1'-0"



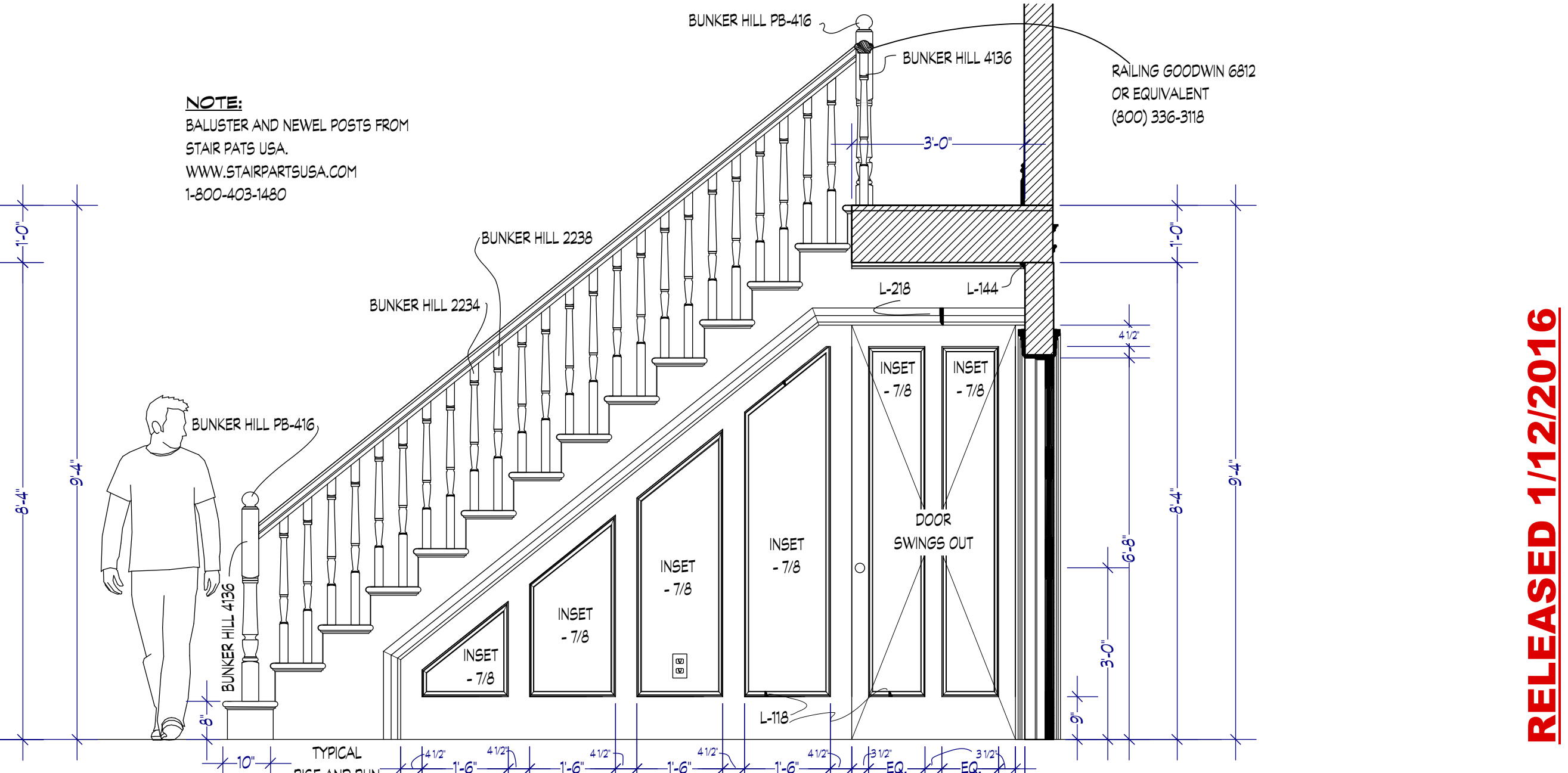
**C**  
2  
FOYER TO LIVINGROOM ELEVATION  
Scale: 1/2" = 1'-0"



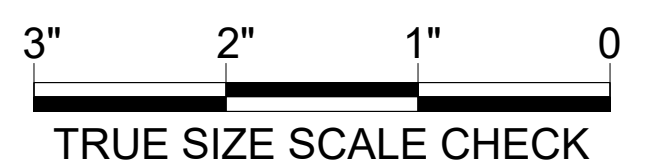
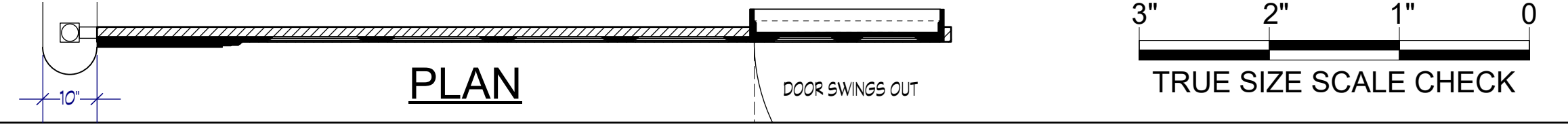
**D**  
2  
FOYER TO LIVINGROOM ELEVATION  
Scale: 1/2" = 1'-0"



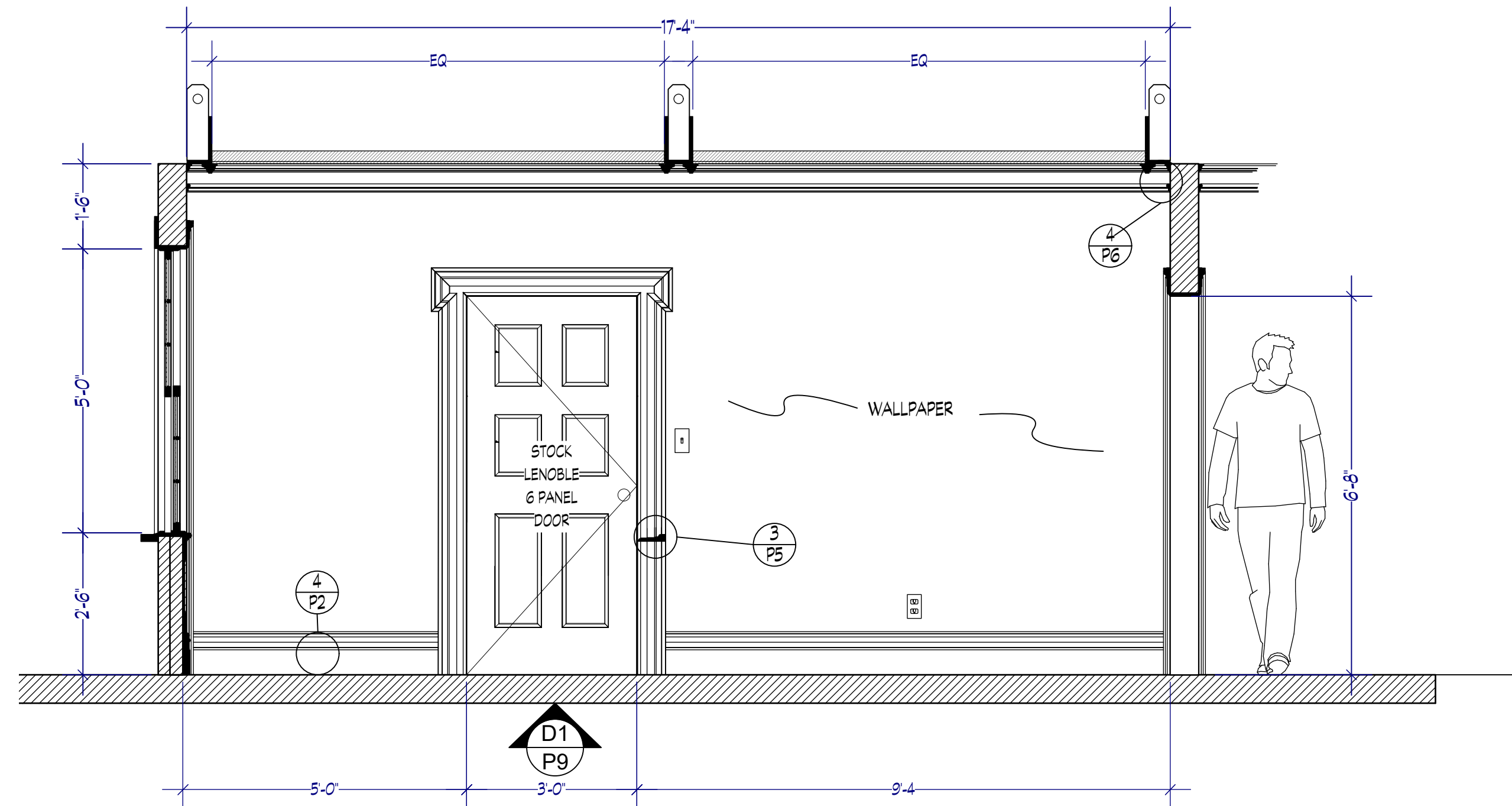
STAIR CASE FRONT ELEVATION



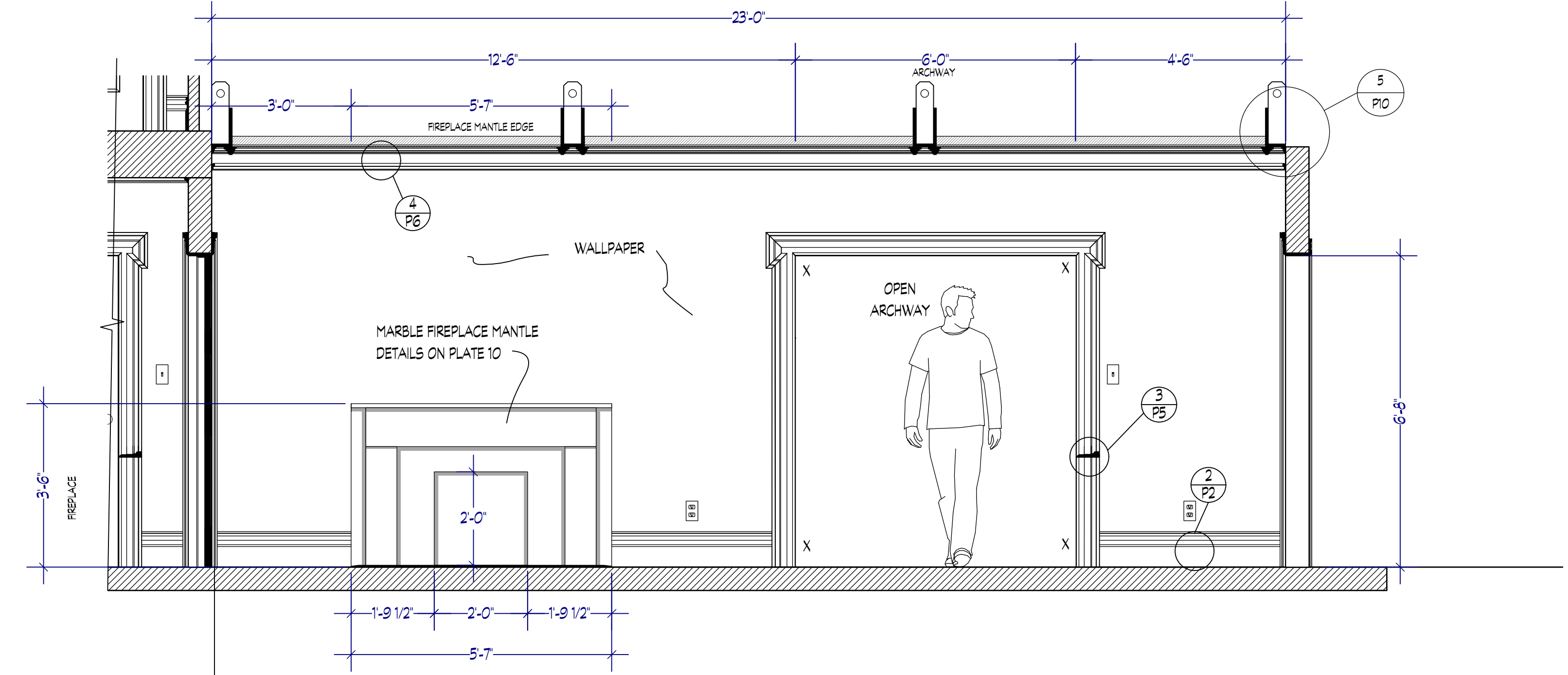
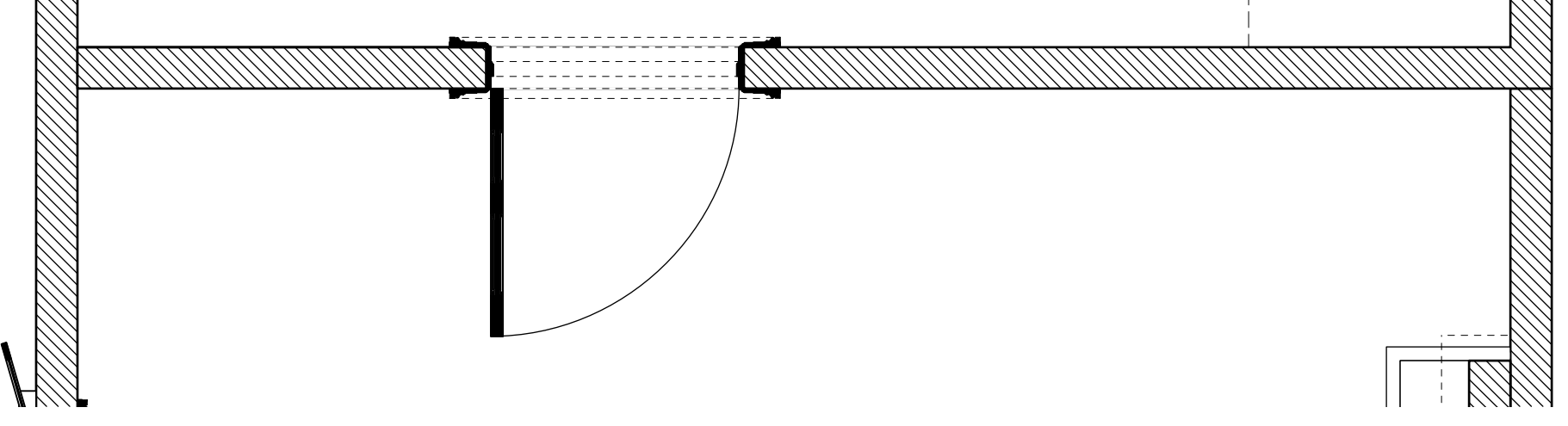
**A1**  
2  
FOYER STAIR CASE ELEVATION  
Scale: 1/2" = 1'-0"



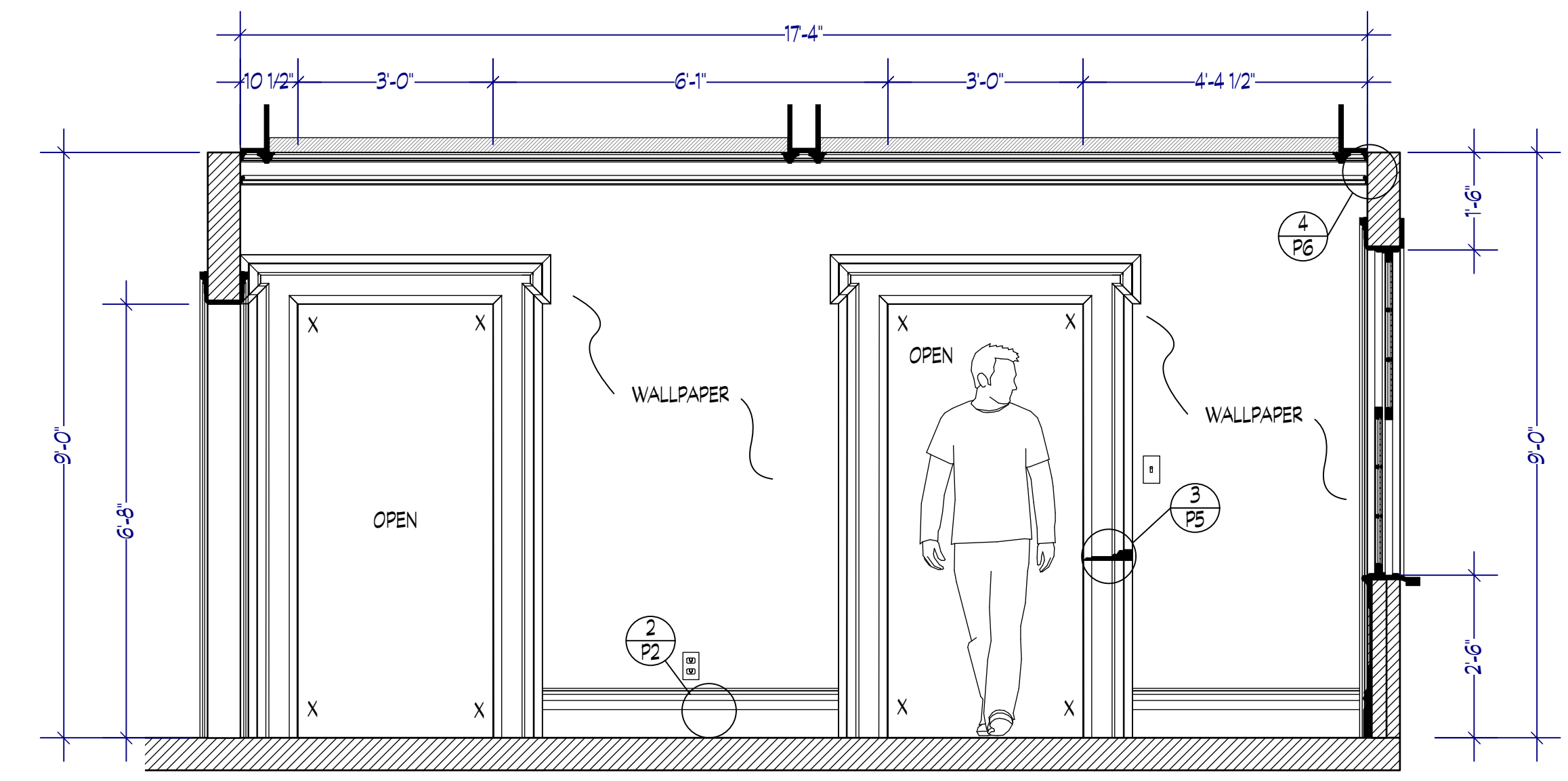
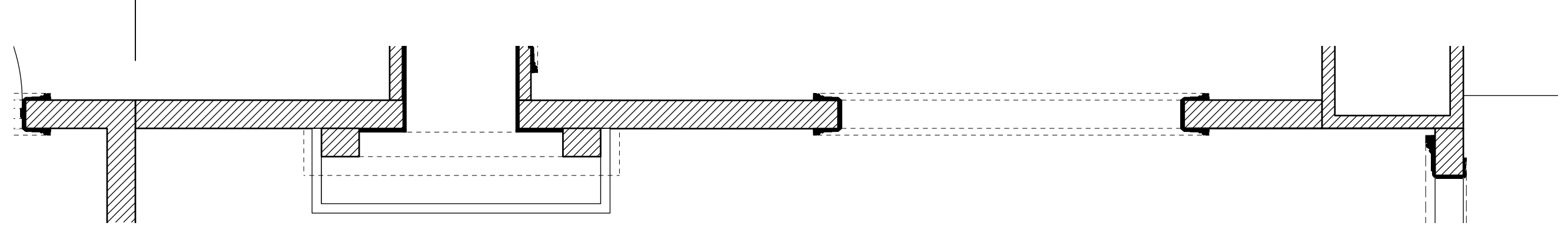
RELEASED 1/12/2016  
**FARM HOUSE**  
 sneaky pete  
 EP NO. AMRT SET NO. 101 DWG NO. 2 of 11  
 DRAWING DATE: 12-12-16  
 REVISIONS: ...  
 EPISODE: AMDRT SCALE: 1/2"=1'-0"  
 SET NO. & DESCRIPTION: 101 AMDRT. INT. FARMHOUSE  
 LOCATION: STAGE 24, BROADWAY STAGES  
 PRODUCTION DESIGNER: JONATHAN A. CARLSON  
 ART DIRECTOR: Rick Dennis  
 DRAWING BY: MDF



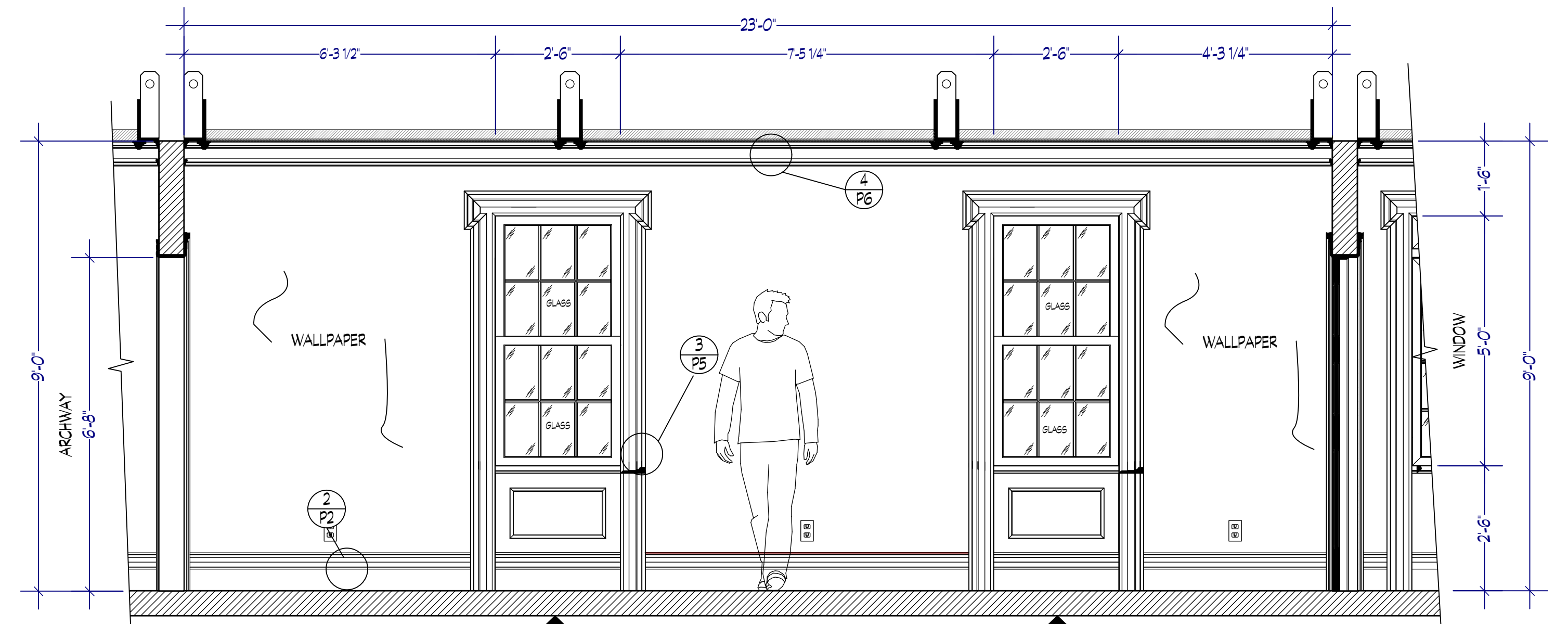
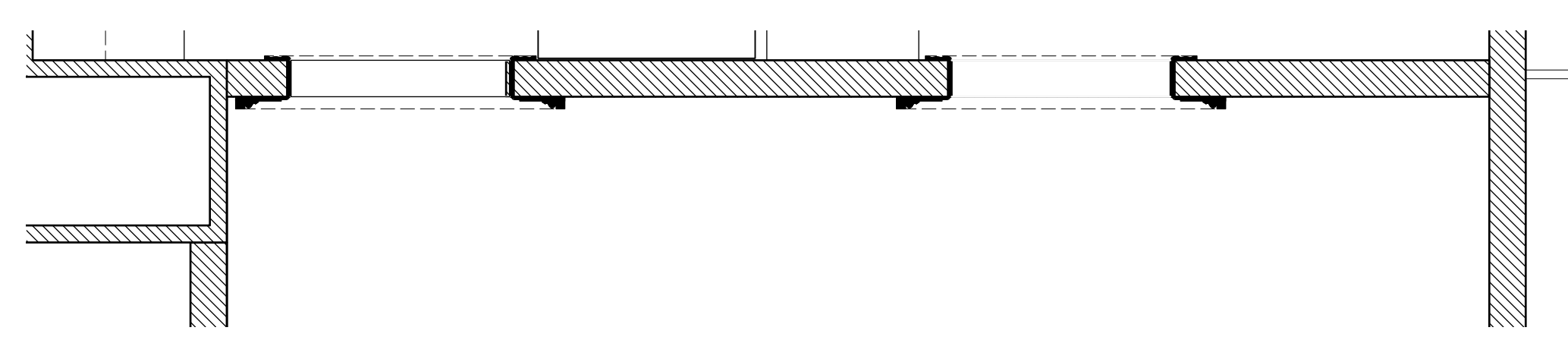
**E DINNING RM ENTRANCE ELEVATION**  
 Scale: 1/2" = 1'-0"



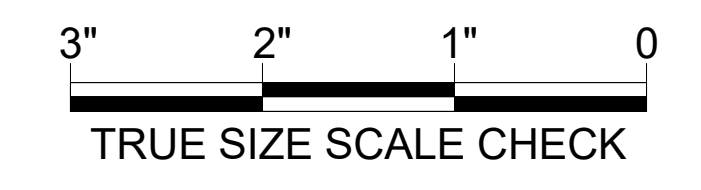
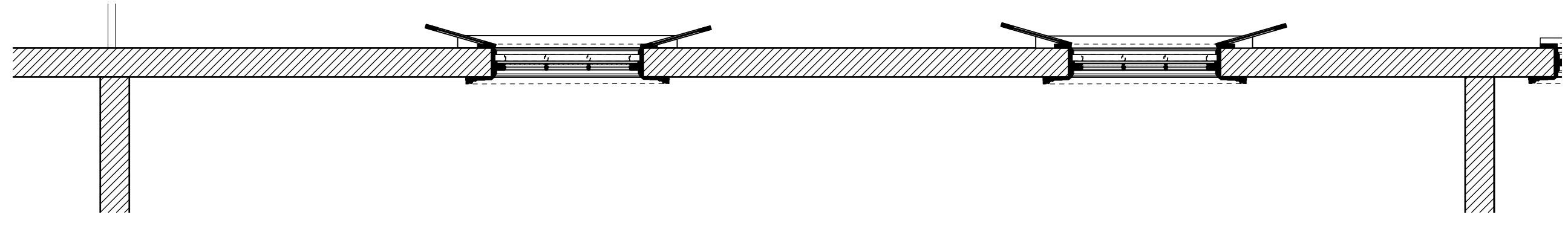
**F DINNING RM FIREPLACE ELEVATION**  
 Scale: 1/2" = 1'-0"



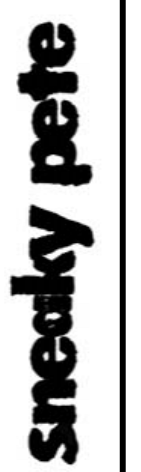
**G TO KITCHEN ELEVATION**  
 Scale: 1/2" = 1'-0"

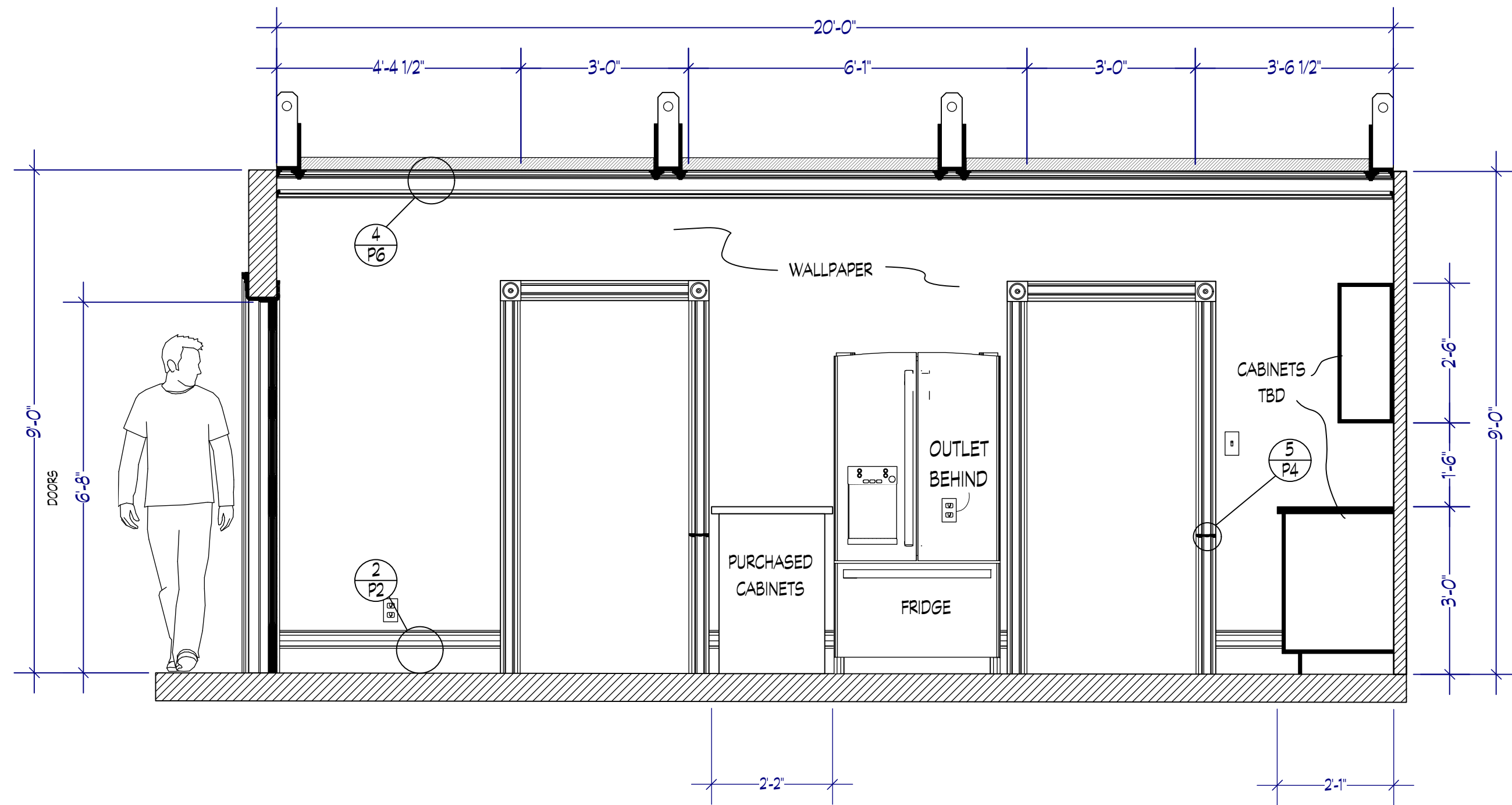


**H DINNING RM WINDOWS ELEVATION**  
 Scale: 1/2" = 1'-0"

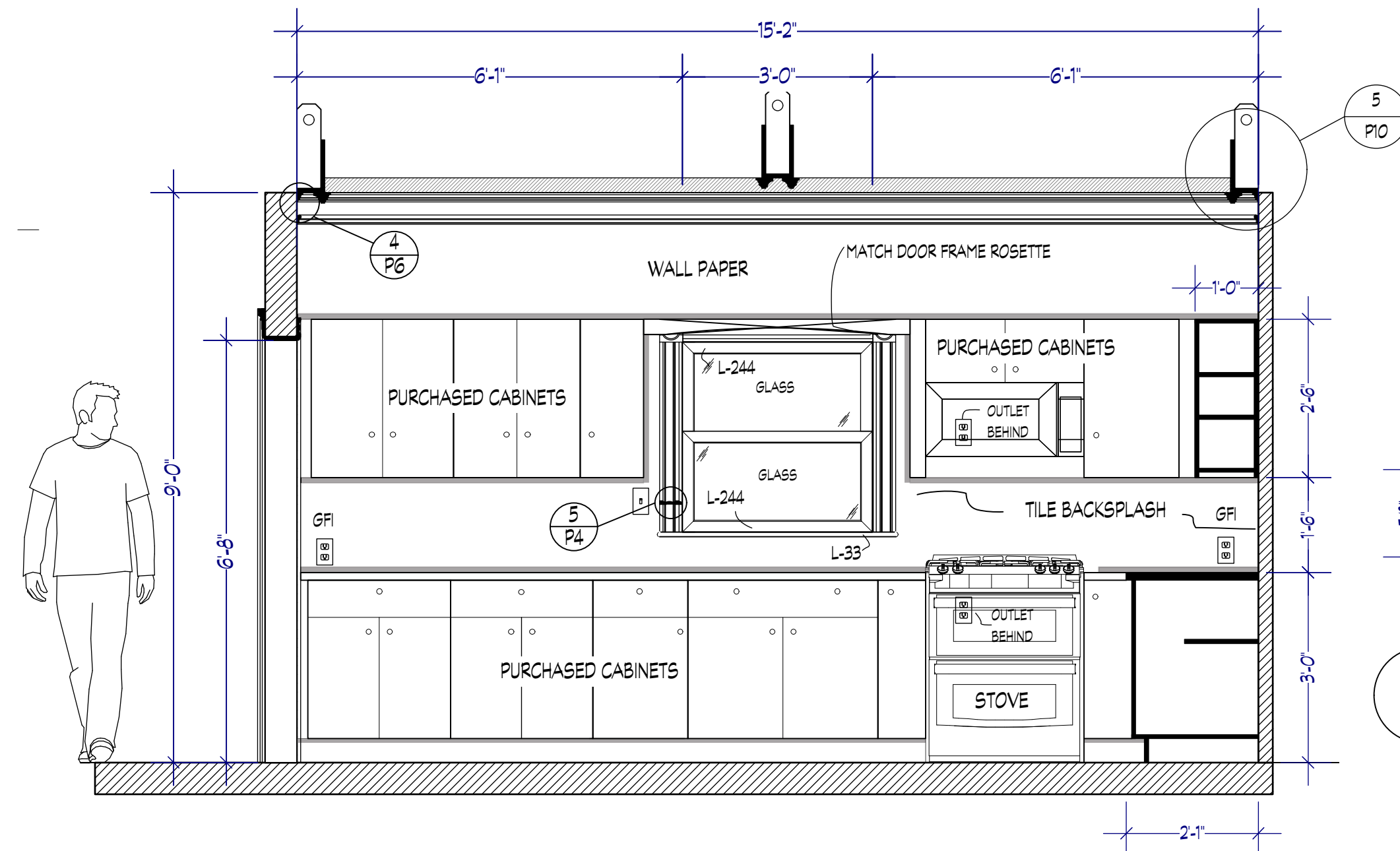
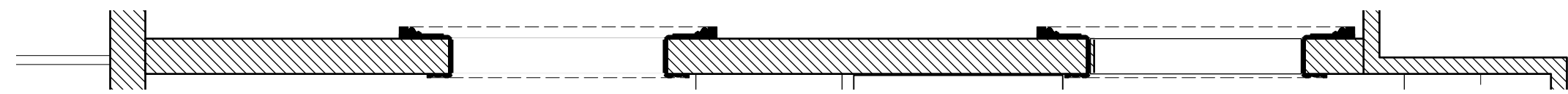


**RELEASED 1/12/2016**

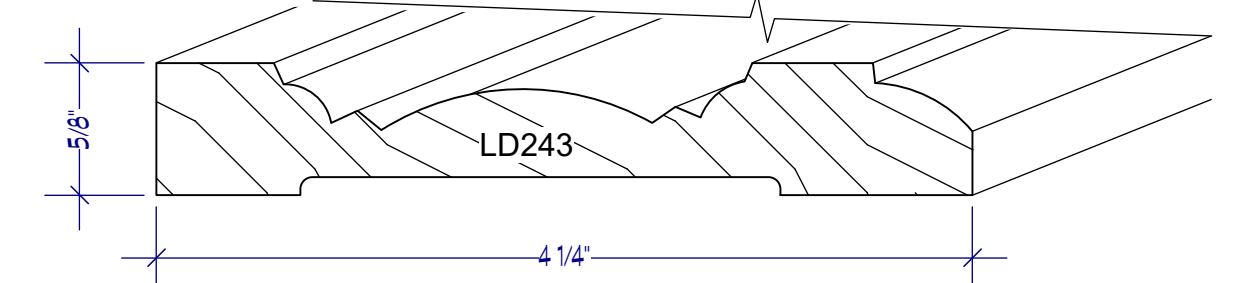
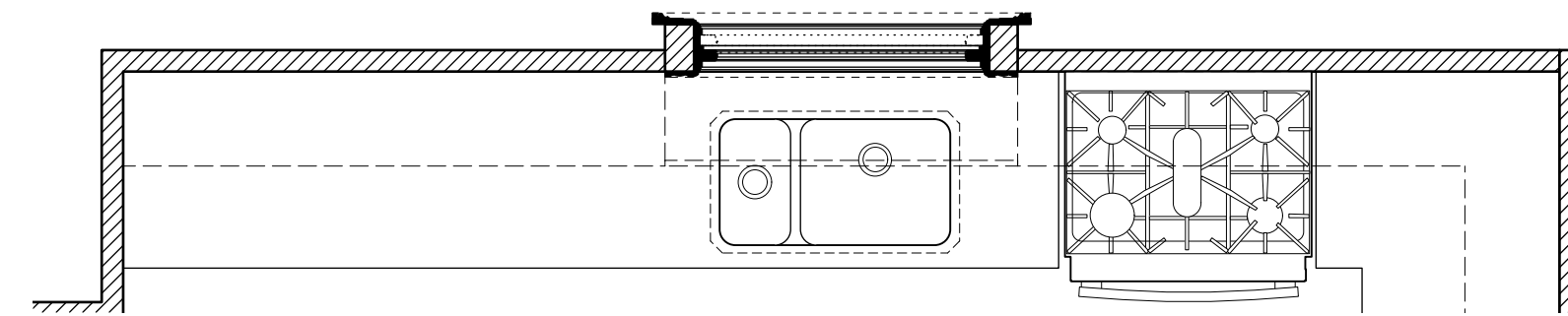

<b>FARM HOUSE</b>
EP NO. AMRT SET NO. <b>101</b> DWG NO. <b>3</b> of 11
SET NO. & DESCRIPTION: 101 AMORT. INT. FARMHOUSE LOCATION: STAGE 24, BROADWAY STAGES
PRODUCTION DESIGNER: JONATHAN A. CARLSON ART DIRECTOR: Rick Dennis DRAWING BY: MDF
EPISODE: AMRT SCALE: 1/2"=1'-0"
DRAWING DATE: 12-12-15 REVISIONS: ---



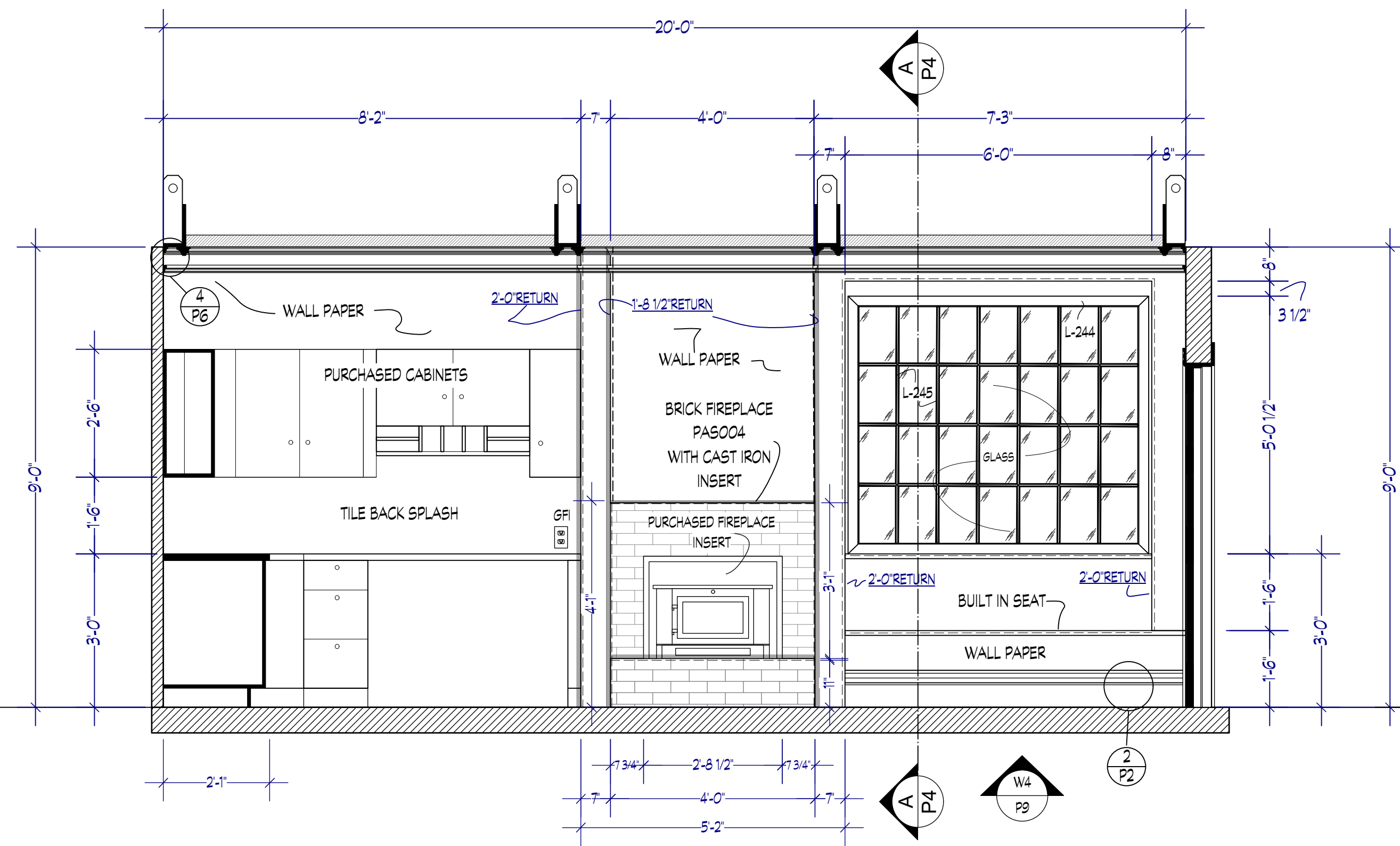
**1**  
**4** KITCHEN ENTRANCE ELEVATION  
Scale: 1/2" = 1'-0"



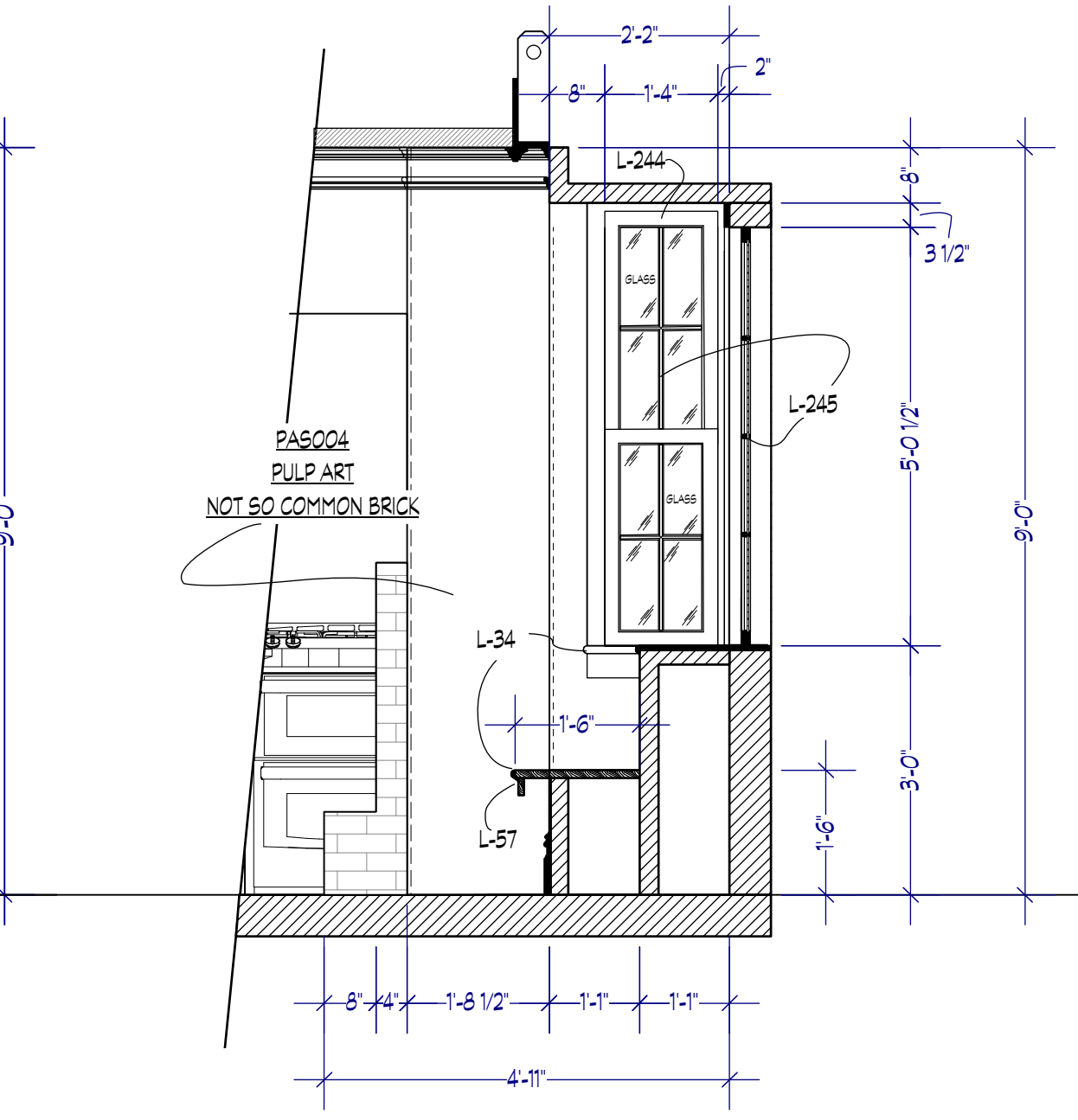
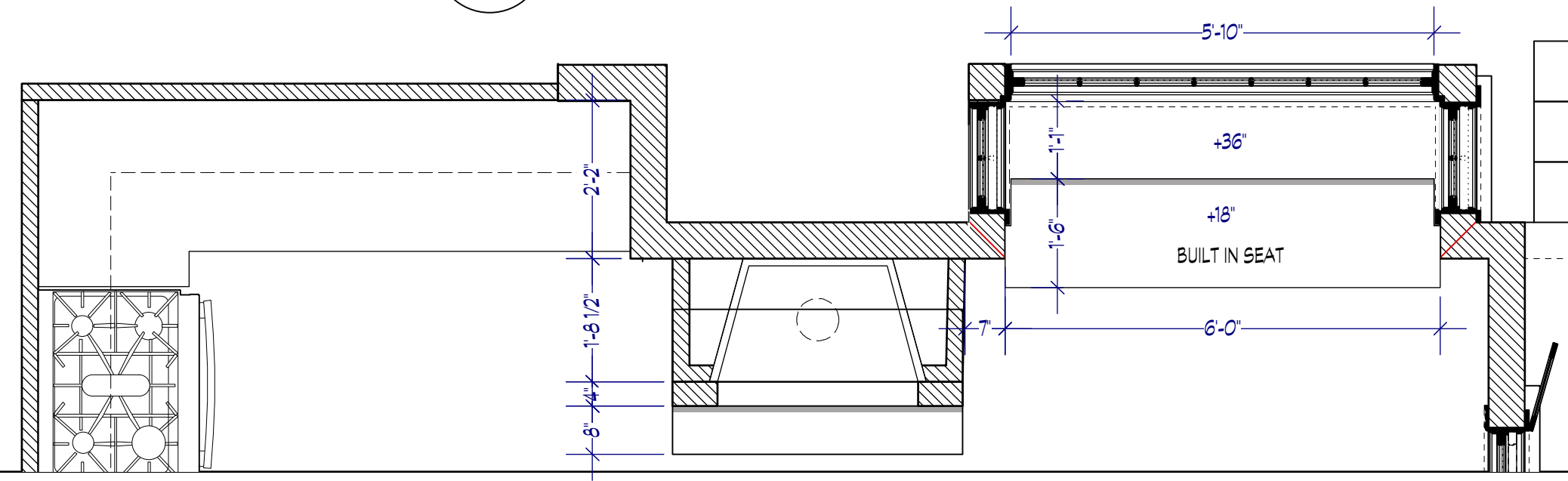
**4**  
**4** KITCHEN CABINET ELEVATION  
Scale: 1/2" = 1'-0"



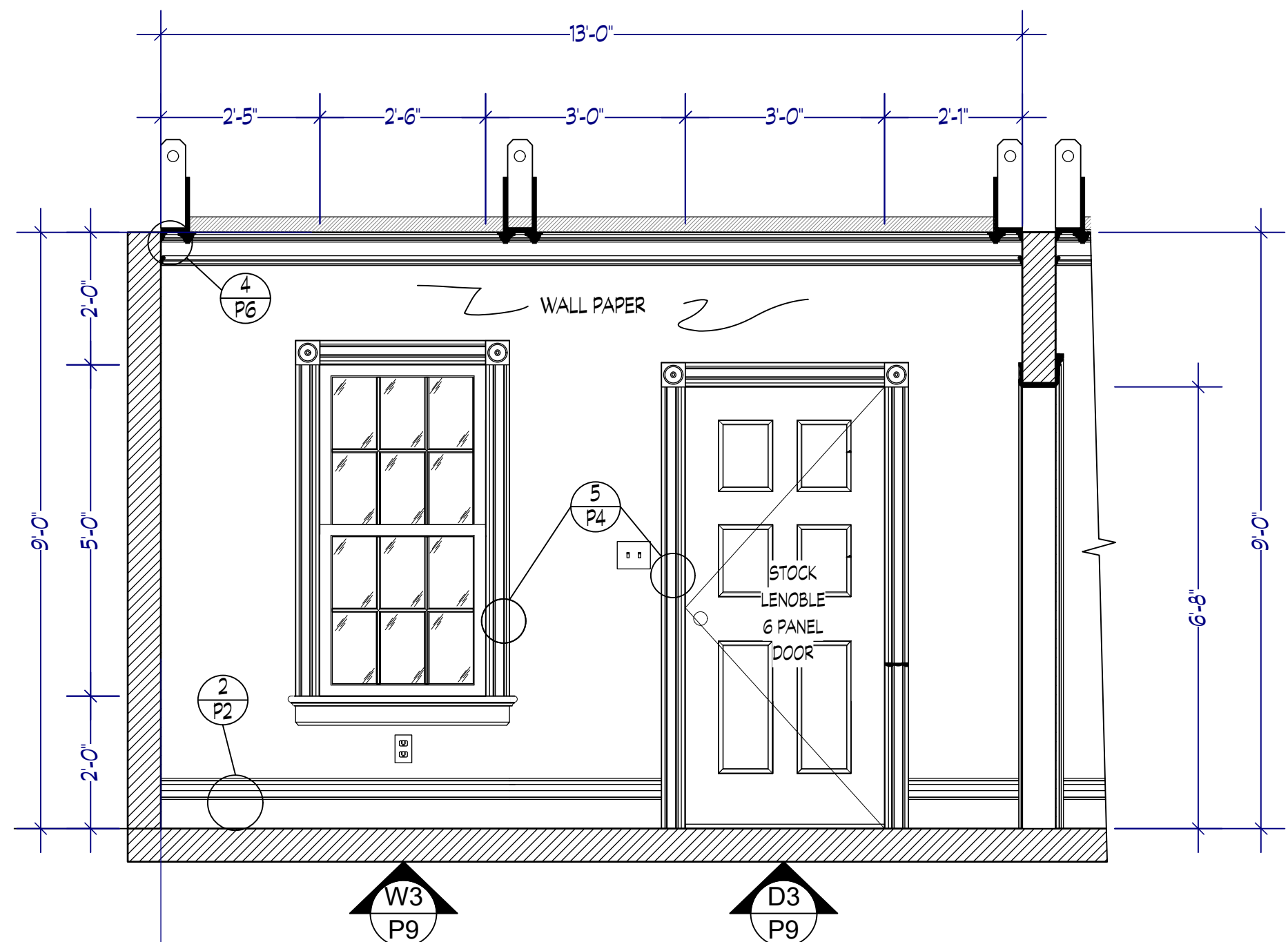
**5** KITCHEN MOLDING DETAIL  
Scale: Actual Size



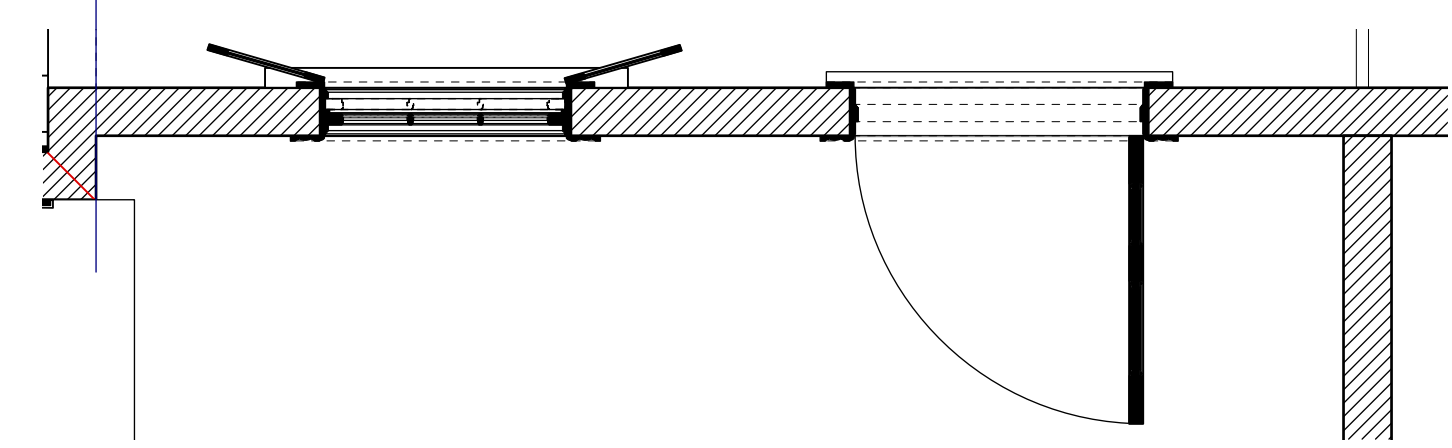
**K**  
**4** KITCHEN FIREPLACE ELEVATION  
Scale: 1/2" = 1'-0"



**A-A**  
**4** WINDOW SEAT SECTION A-A  
Scale: 1/2" = 1'-0"



**L**  
**4** KITCHEN ENTRANCE ELEVATION  
Scale: 1/2" = 1'-0"



3" 2" 1" 0"  
TRUE SIZE SCALE CHECK

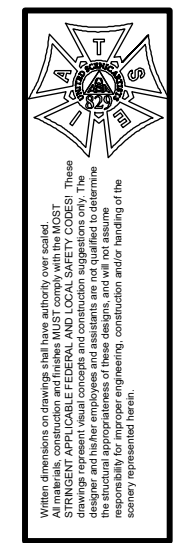
**RELEASED 1/12/2016**

**sneaky pete**

**FARM HOUSE**

DRAWING DATE: 12-12-15	EPISODE: AMRT	SET NO. & DESCRIPTION: 101 AMORT. INT. FARMHOUSE	PRODUCTION DESIGNER: JONATHAN A. CARLSON
REVISIONS: -	SCALE: 1/2"=1'-0"	LOCATION: STAGE 24, BROADWAY STAGES	ART DIRECTOR: Rick Dennis
DRAWING BY: MDF			

EP NO. AMRT	SET NO. 101	DWG NO. 4
of 11		



DRAWING DATE:  
12-12-15  
REVISIONS:  
1

EPISODE:  
AMRT  
SCALE:  
1/2"=1'-0"

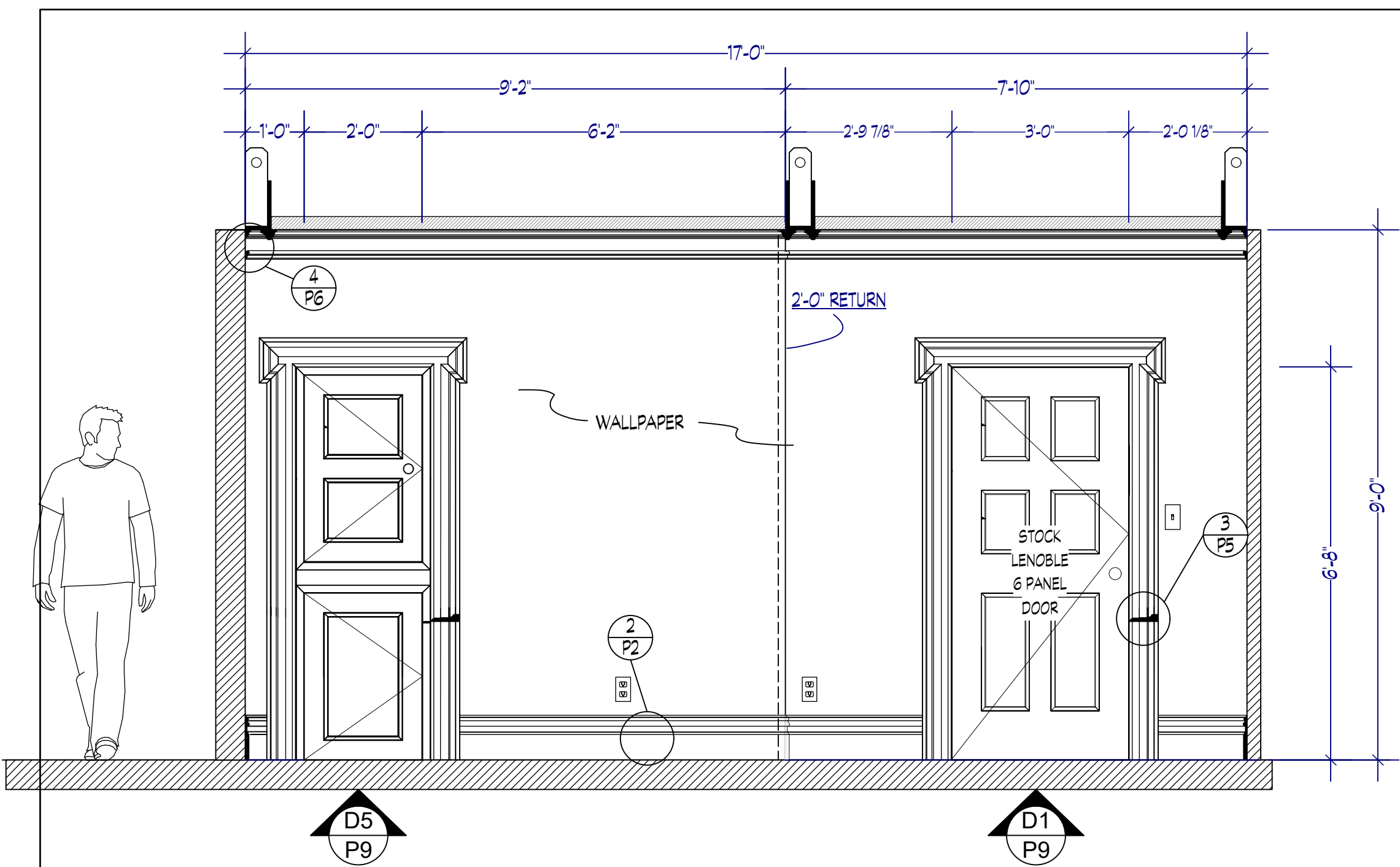
SET NO. & DESCRIPTION:  
101 AMORT. INT. FARMHOUSE  
LOCATION:  
STAGE 24, BROADWAY STAGES

PRODUCTION DESIGNER: JONATHAN A. CARLSON  
ART DIRECTOR: Rick Dennis  
DRAWING BY: MDF

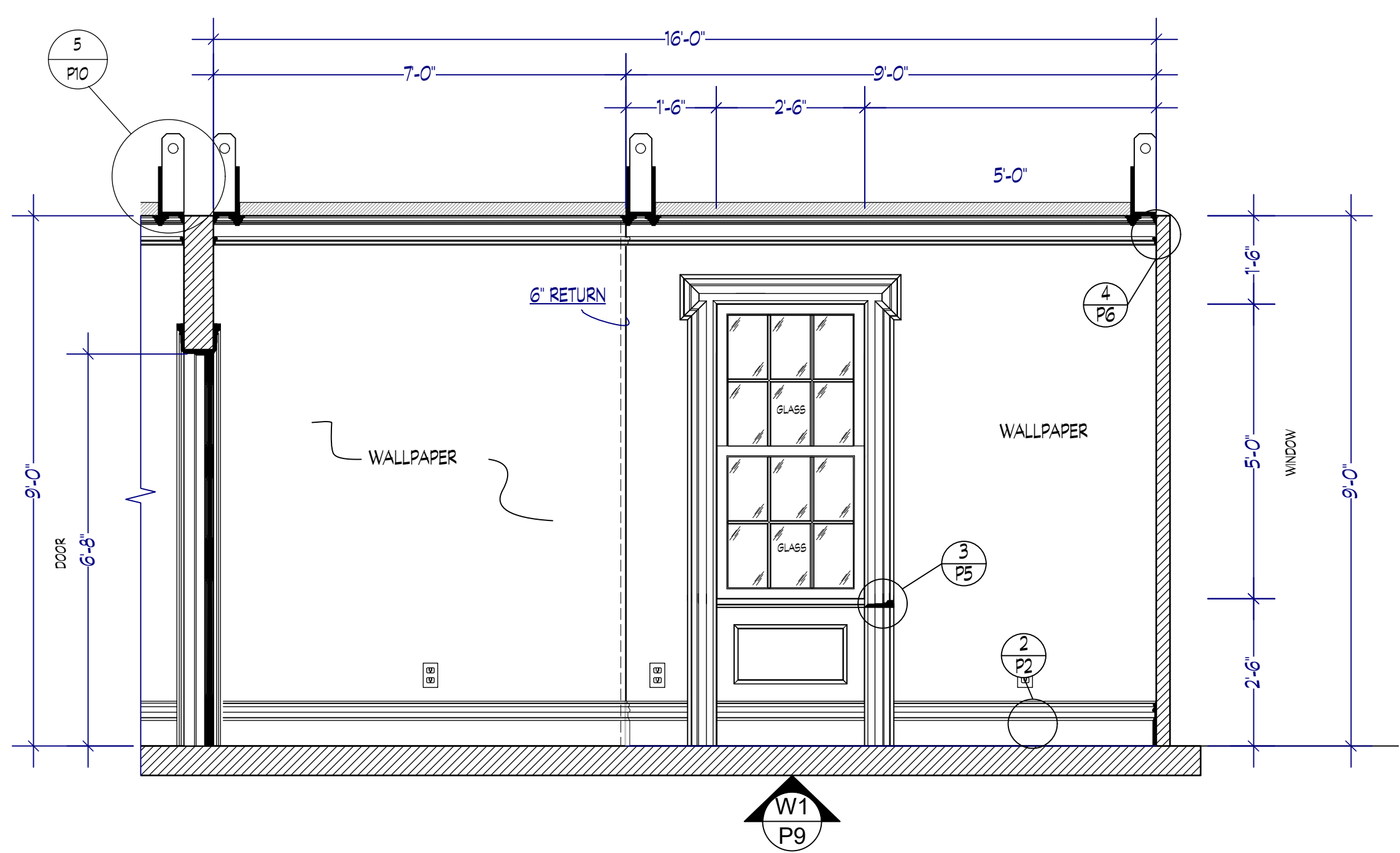
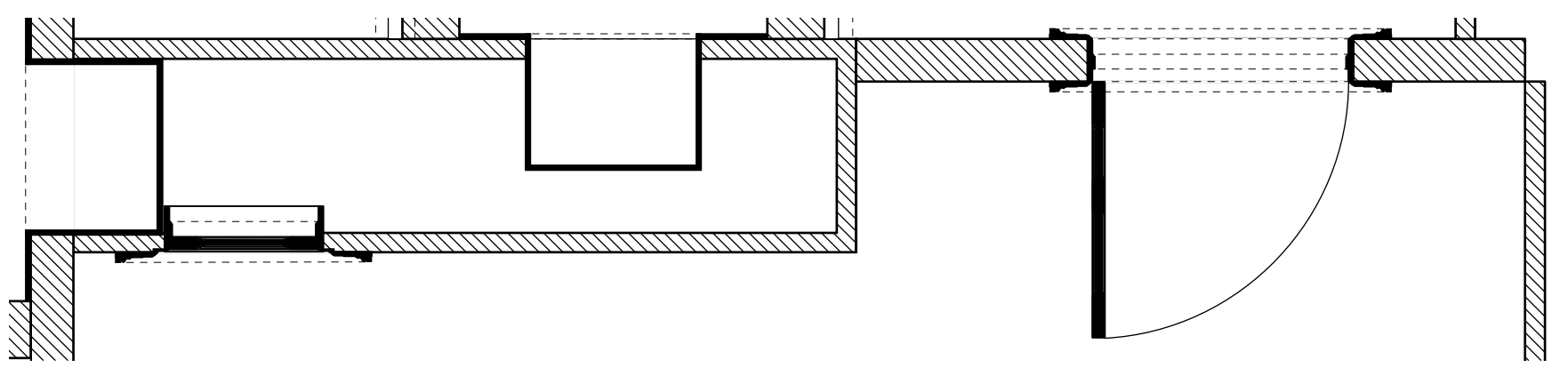
**FARM HOUSE**

**sneaky pete**

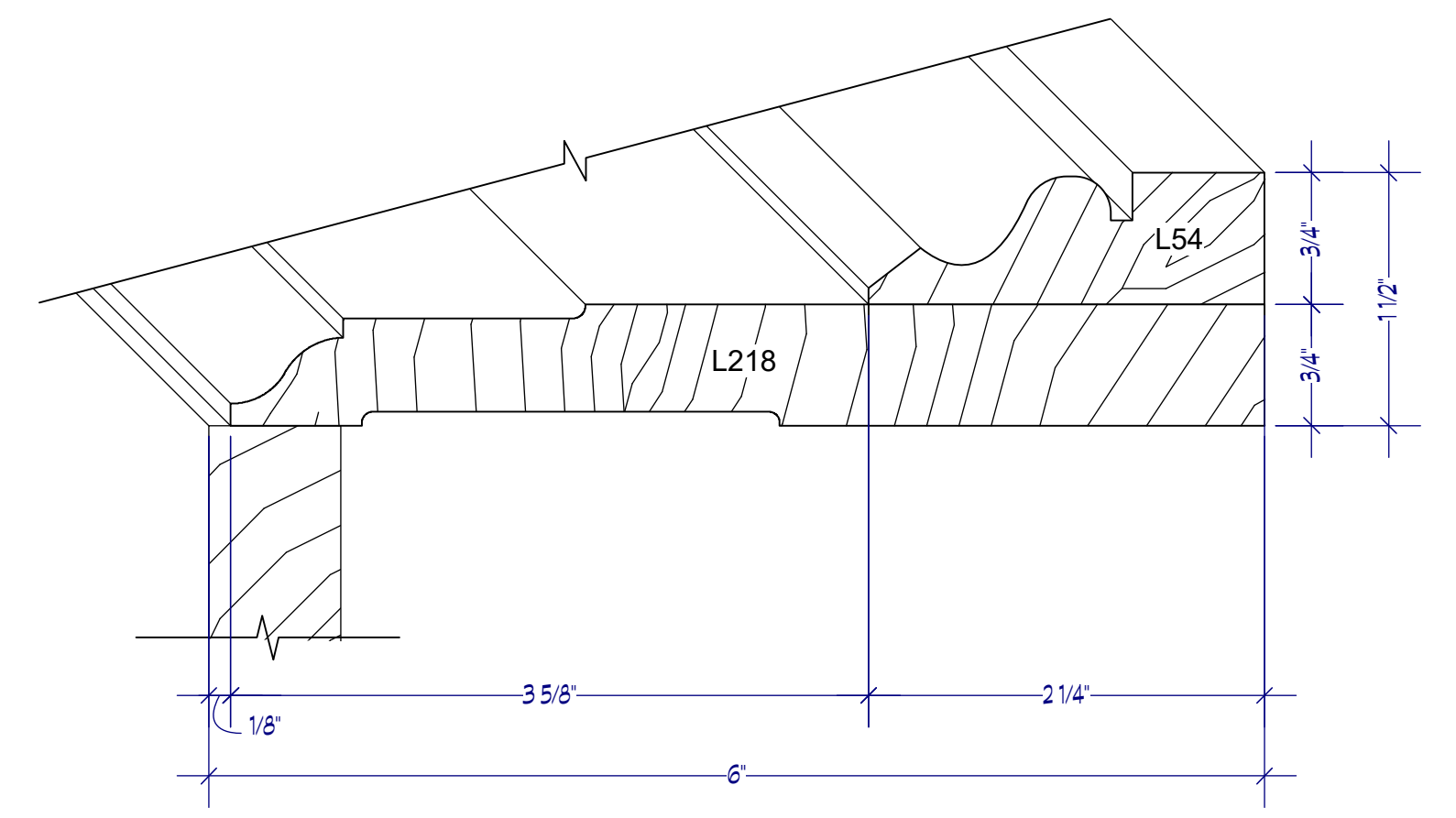
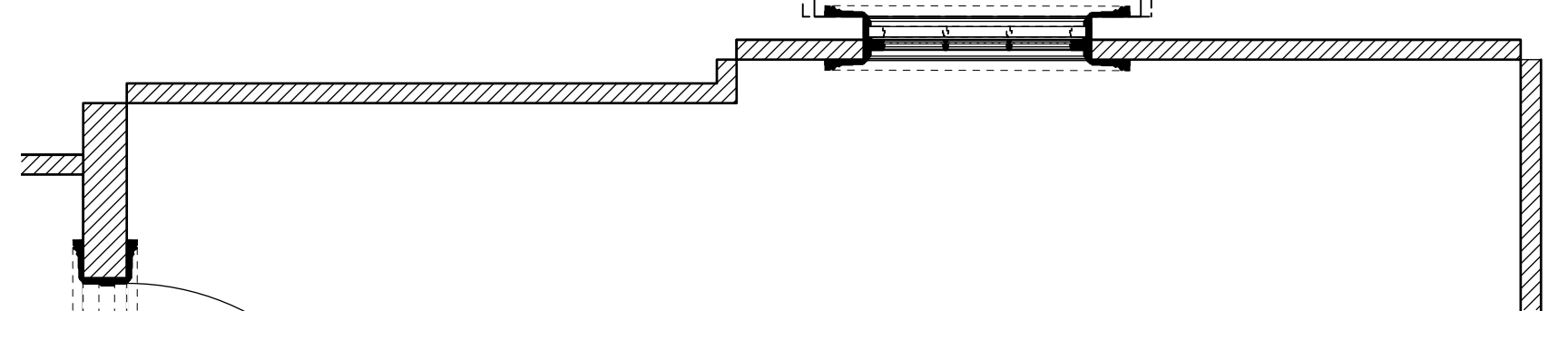
EP NO.  
AMRT  
SET NO.  
101  
DWG NO.  
5  
of 11



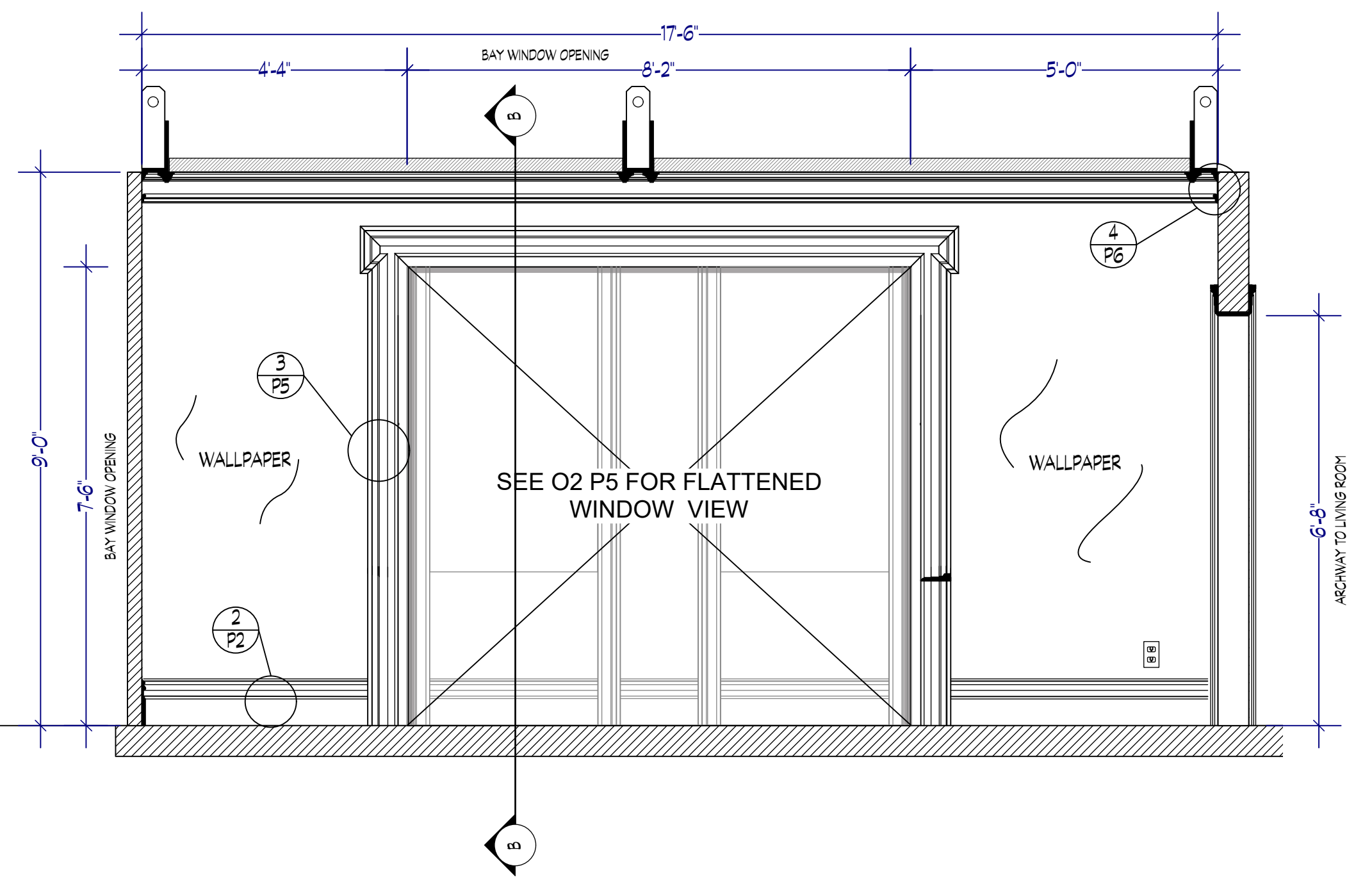
**M** LIVING RM CLOSET ELEVATION  
Scale: 1/2" = 1'-0"



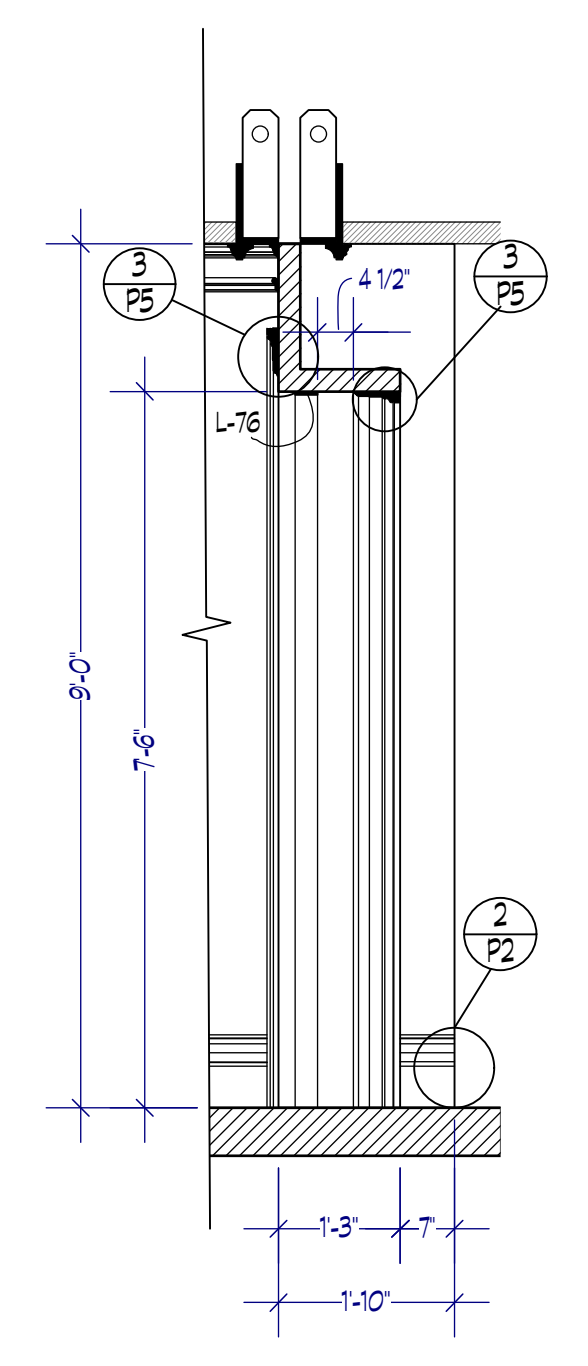
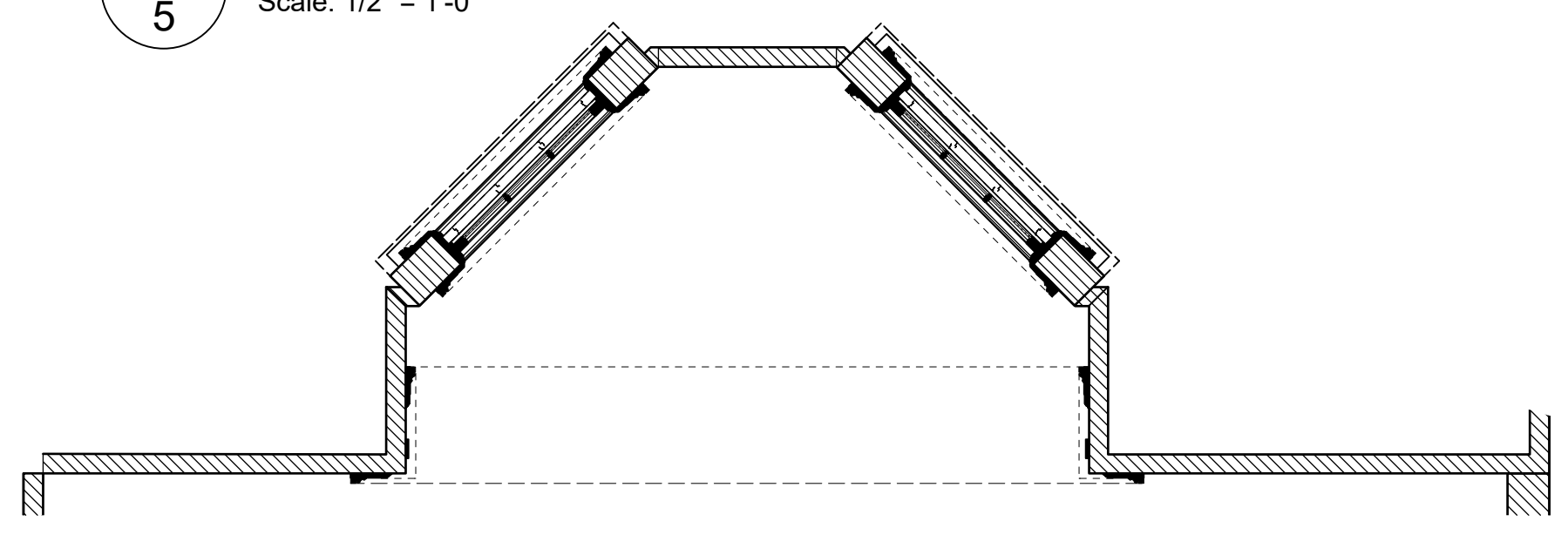
**N** LIVING RM WINDOW ELEVATION  
Scale: 1/2" = 1'-0"



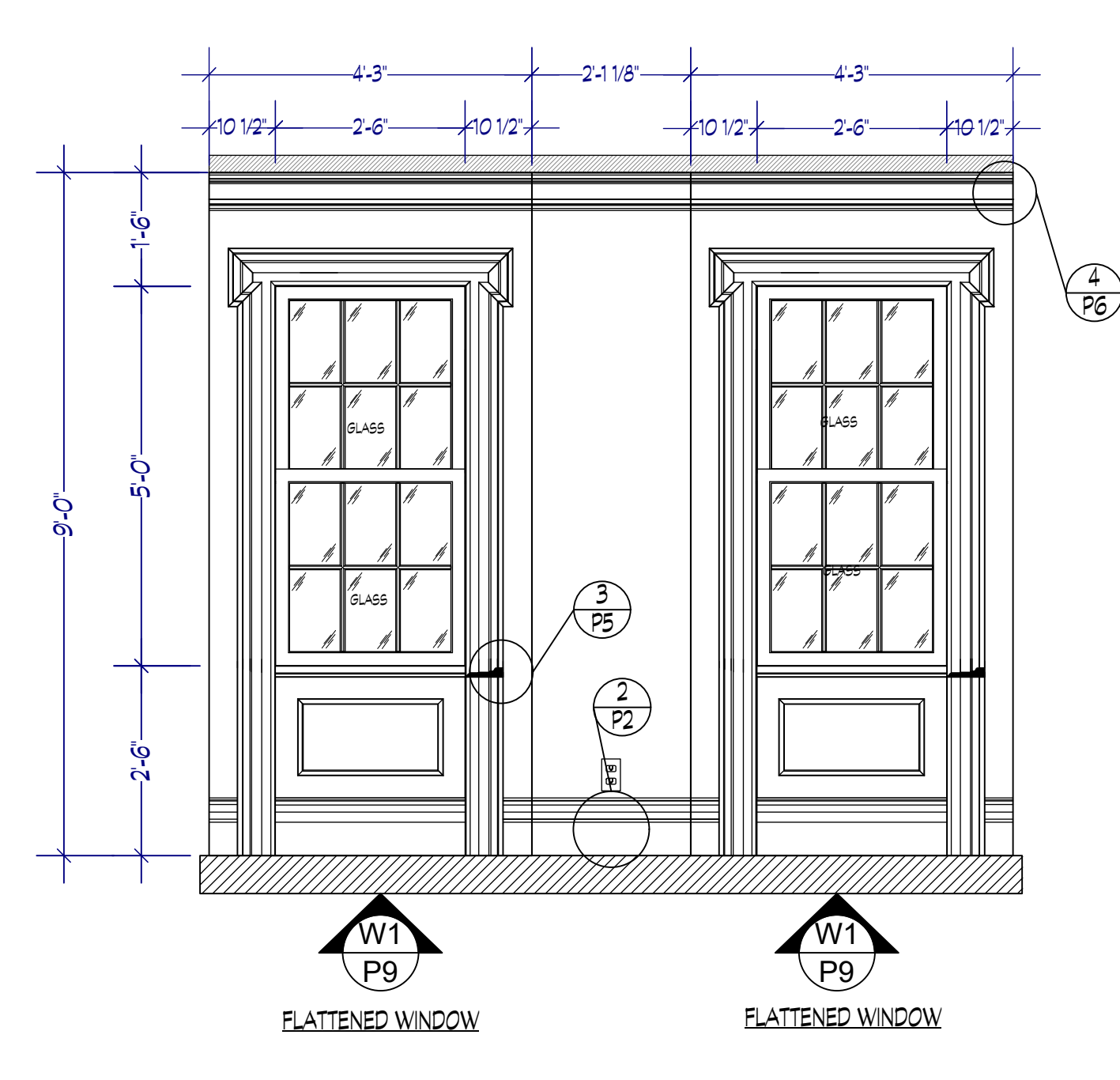
**3** CASING DETAIL 3  
Scale: Actual Size



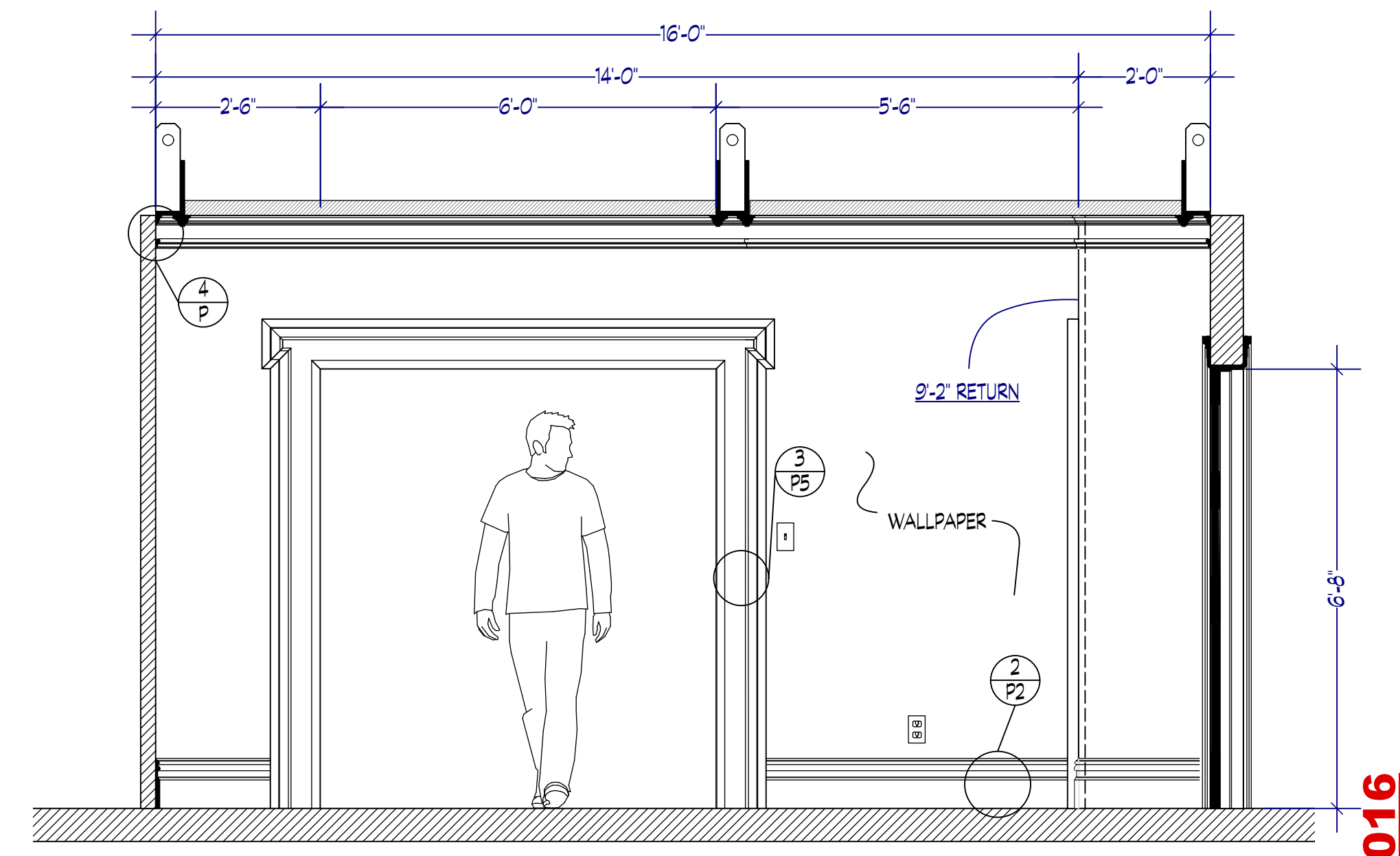
**O1** LIVING RM BAY WINDOW ARCH ELEVATION  
Scale: 1/2" = 1'-0"



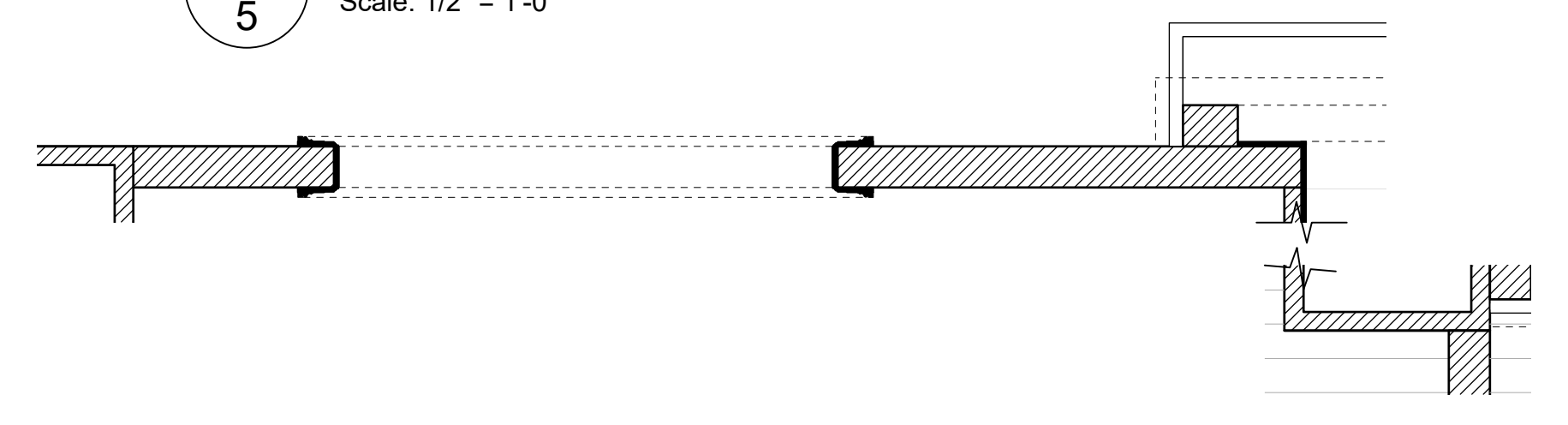
**B-B** SECTION B-B  
Scale: 1/2" = 1'-0"



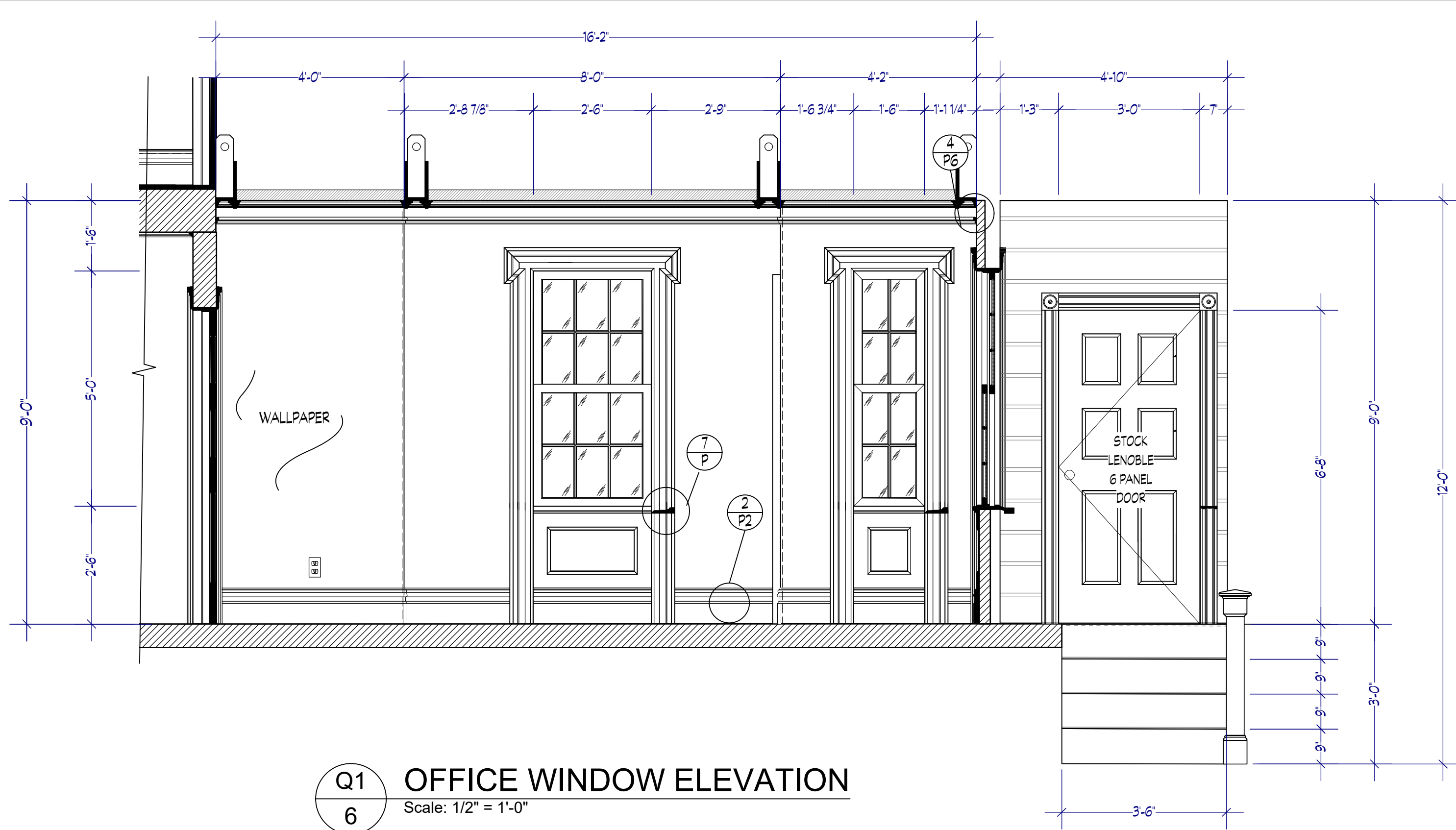
**O2** FLATTENED BAY WINDOW ELEVATION  
Scale: 1/2" = 1'-0"



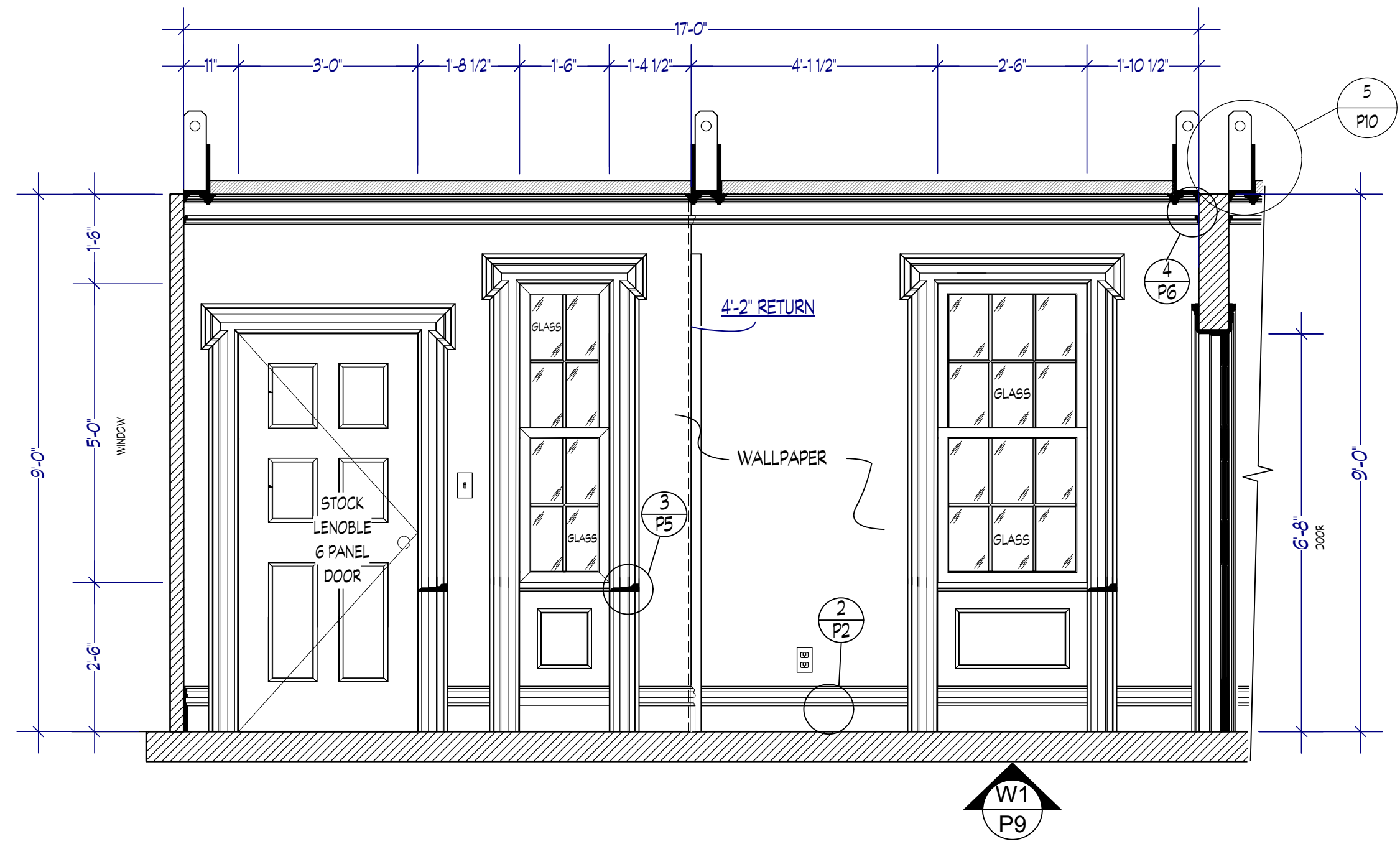
**P** ARCHWAY TO DINING RM ELEVATION  
Scale: 1/2" = 1'-0"



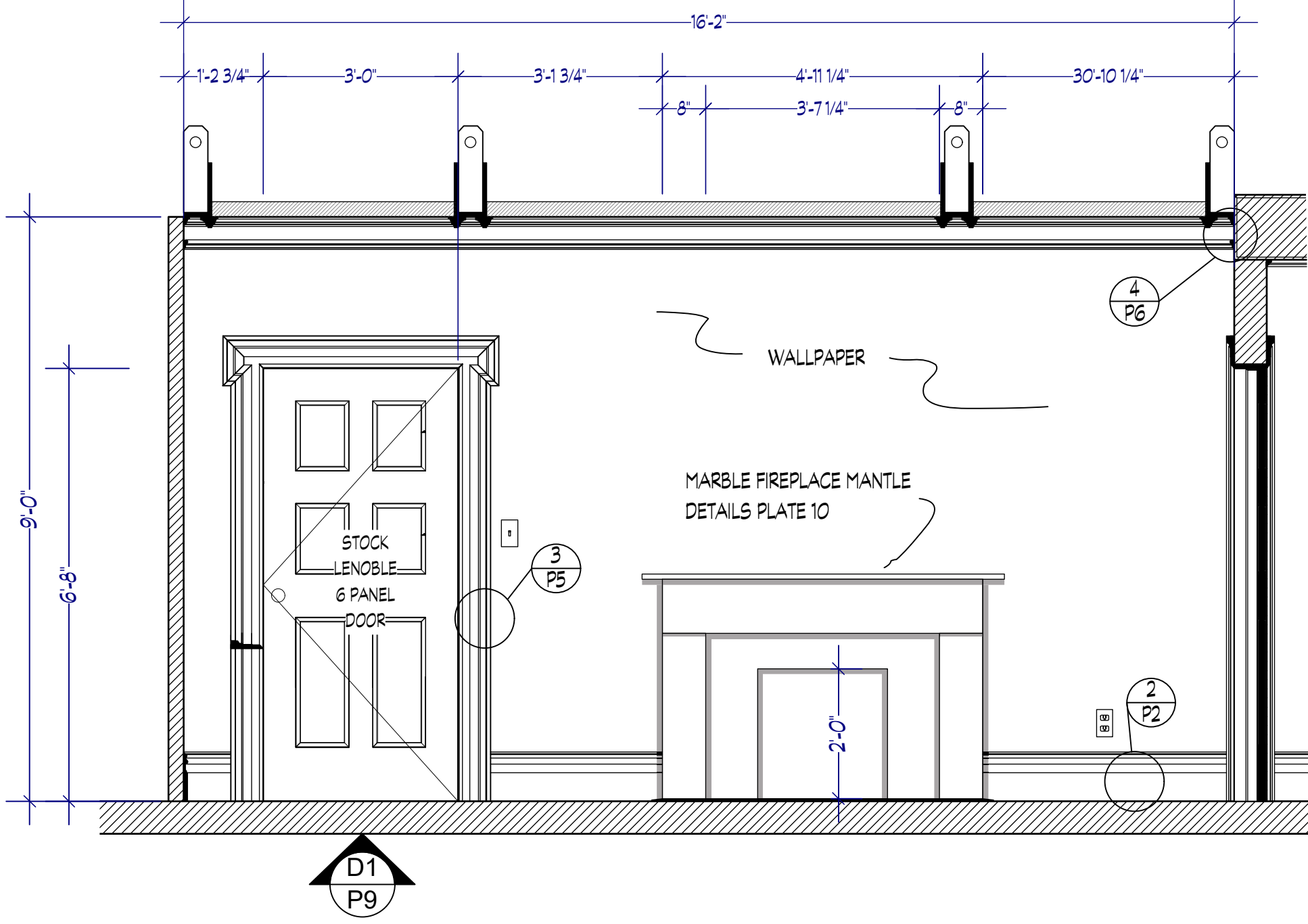
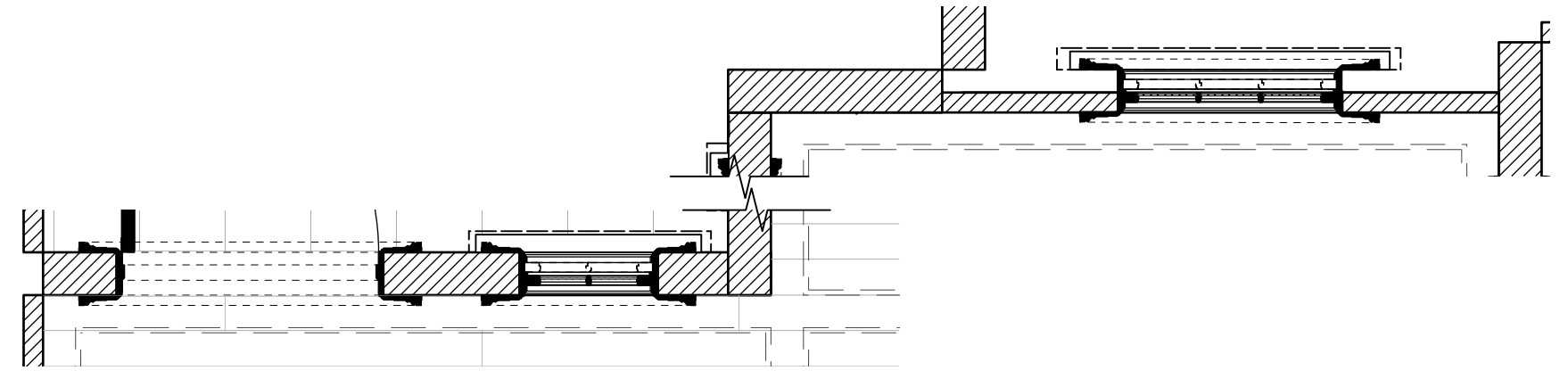
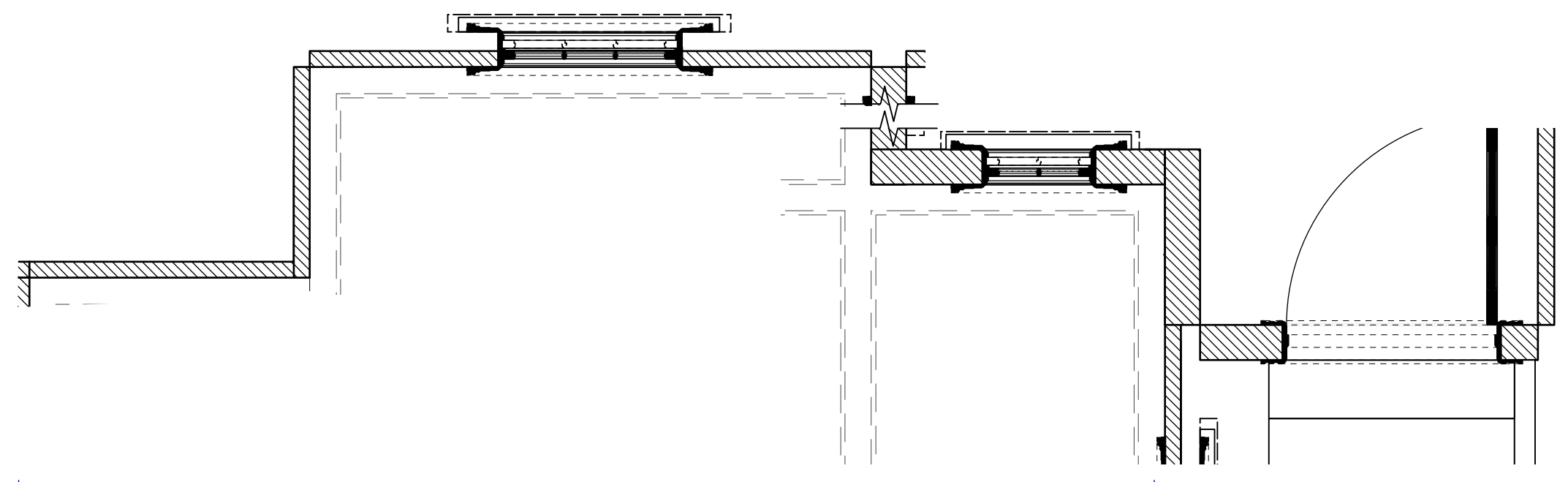
RELEASED 1/12/2016



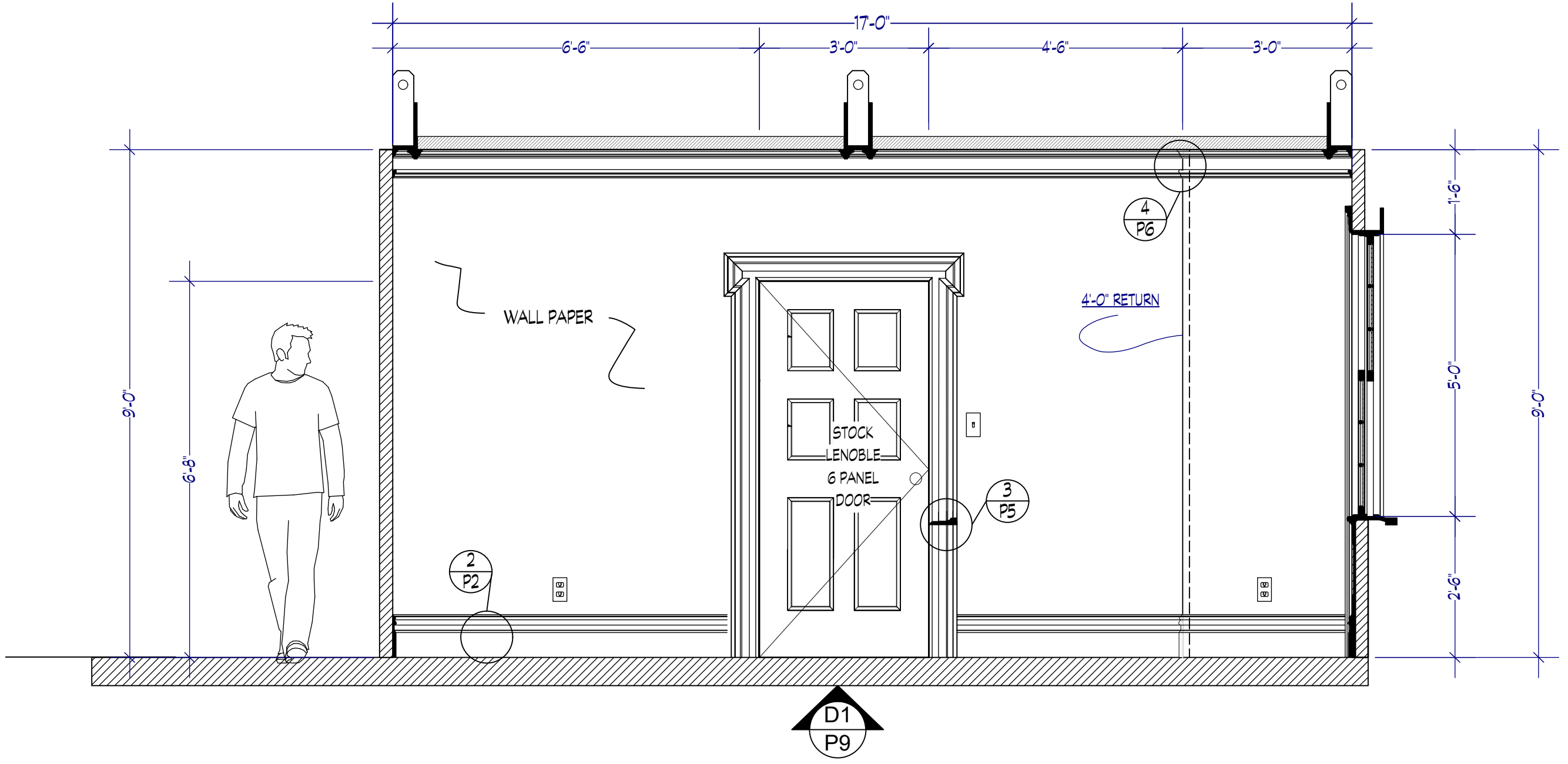
**Q1 OFFICE WINDOW ELEVATION**  
 Scale: 1/2" = 1'-0"



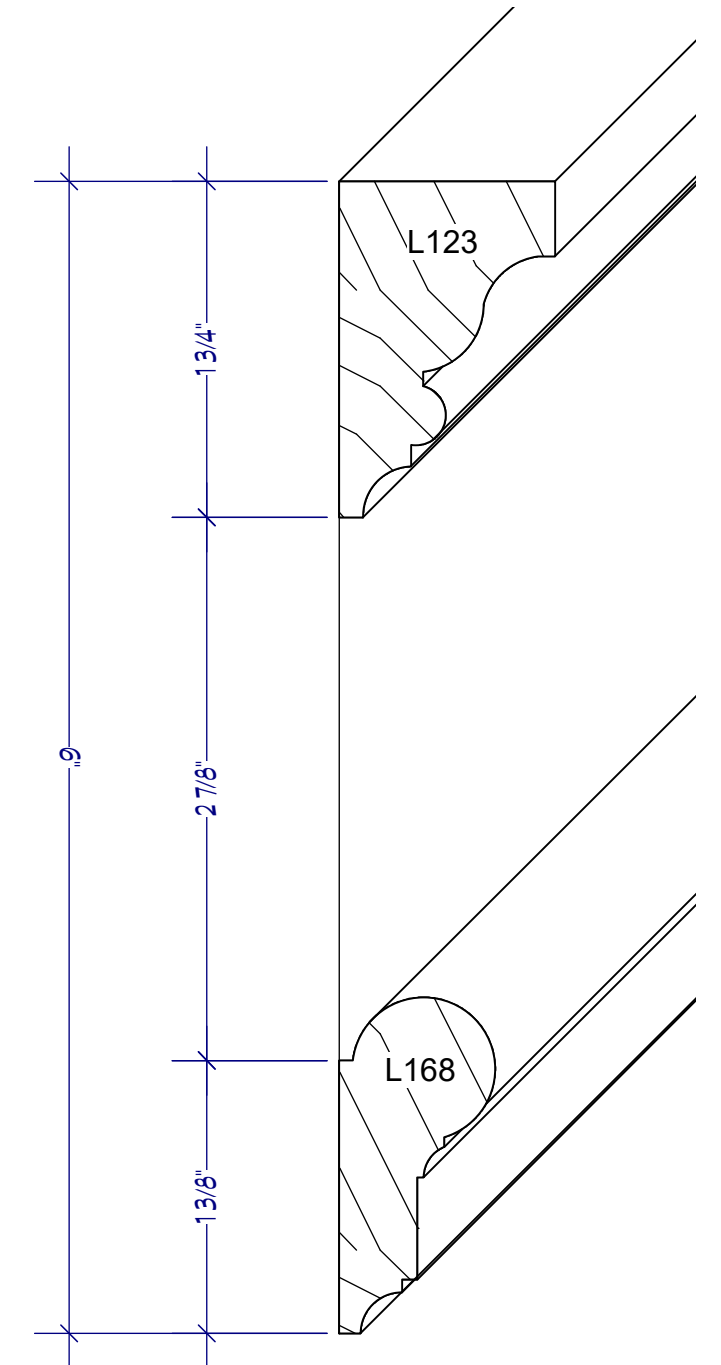
**R OFFICE BACK WINDOW ELEVATION**  
 Scale: 1/2" = 1'-0"



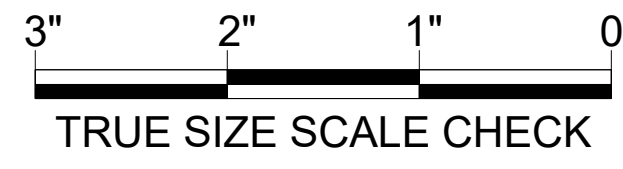
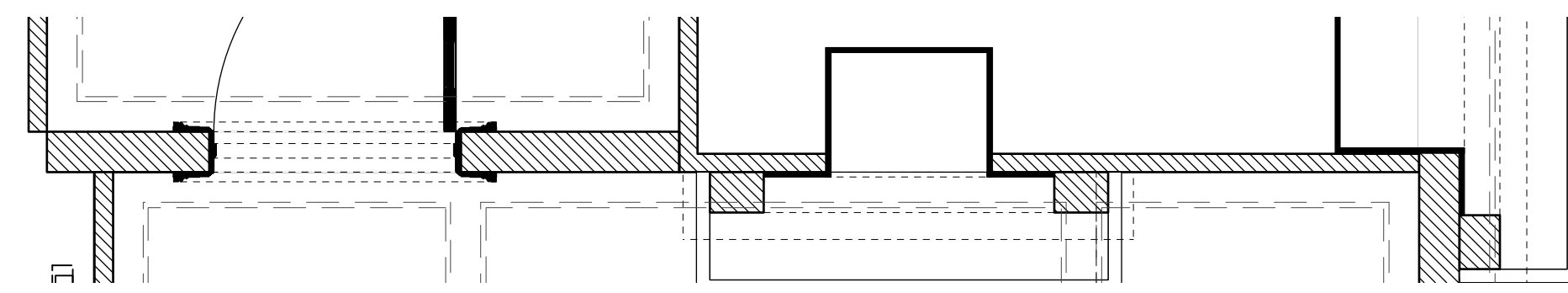
**S OFFICE FIREPLACE WALL ELEVATION**  
 Scale: 1/2" = 1'-0"



**T OFFICE ENTRANCE ELEVATION**  
 Scale: 1/2" = 1'-0"



**4 CORNICE DETAIL**  
 Scale: Actual Size

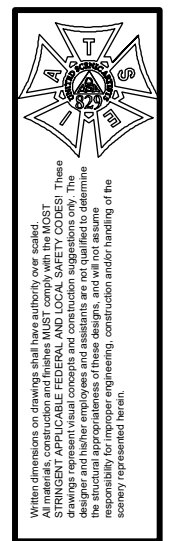


**RELEASED 1/12/2016**

**sneaky pete**

**FARM HOUSE**

DRAWING DATE: 12-12-15	REVISIONS: 1
EPISODE: AMRT	SCALE: 1/2"=1'-0"
SET NO. & DESCRIPTION: 101 AMORT. INT. FARMHOUSE	
LOCATION: STAGE 24, BROADWAY STAGES	
PRODUCTION DESIGNER: JONATHAN A. CARLSON	ART DIRECTOR: Rick Dennis
DRAWING BY: MDF	
EP NO. AMRT	SET NO. 101
DWG NO. 6	of 11



DRAWING DATE:  
12-12-18  
REVISIONS:  
---

EPISODE:  
AMRT  
SCALE:  
1/2"=1'-0"

SET NO. & DESCRIPTION:  
101 AMORT. INT. FARMHOUSE  
LOCATION:  
STAGE 24, BROADWAY STAGES

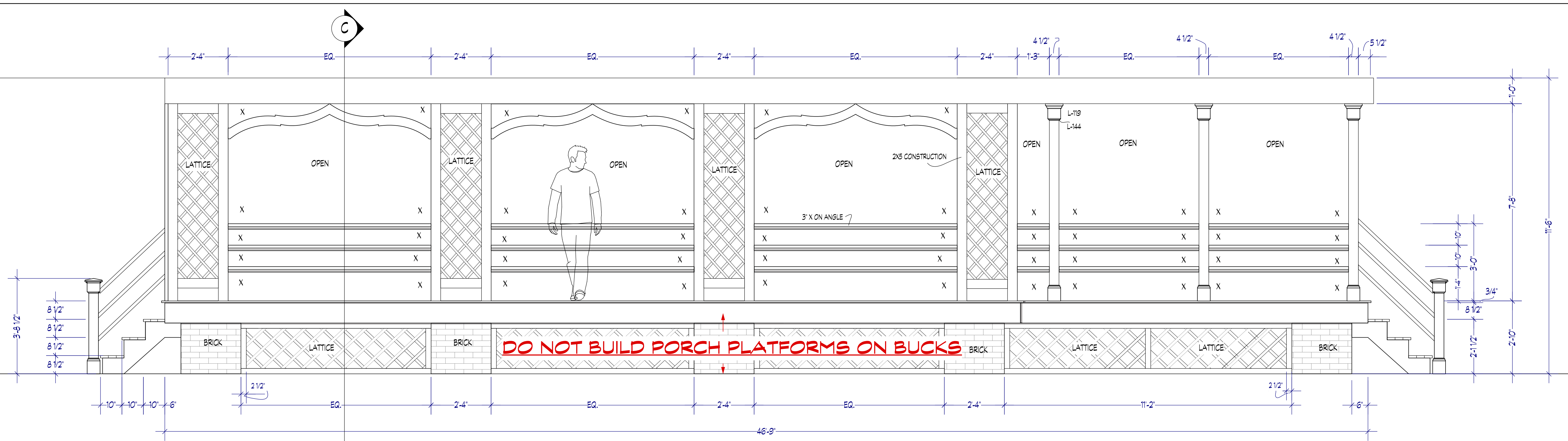
PRODUCTION DESIGNER: JONATHAN A. CARLSON  
ART DIRECTOR: Rick Dennis  
DRAWING BY: MDF

**FARM HOUSE**

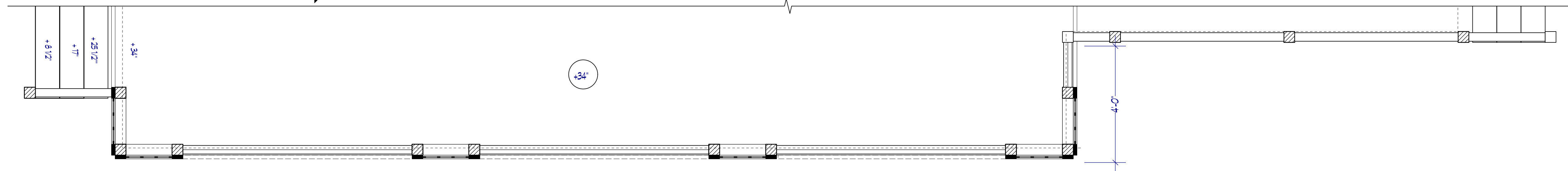
**sneaky pete**

EP NO.  
AMRT  
SET NO.  
101  
DWG NO.

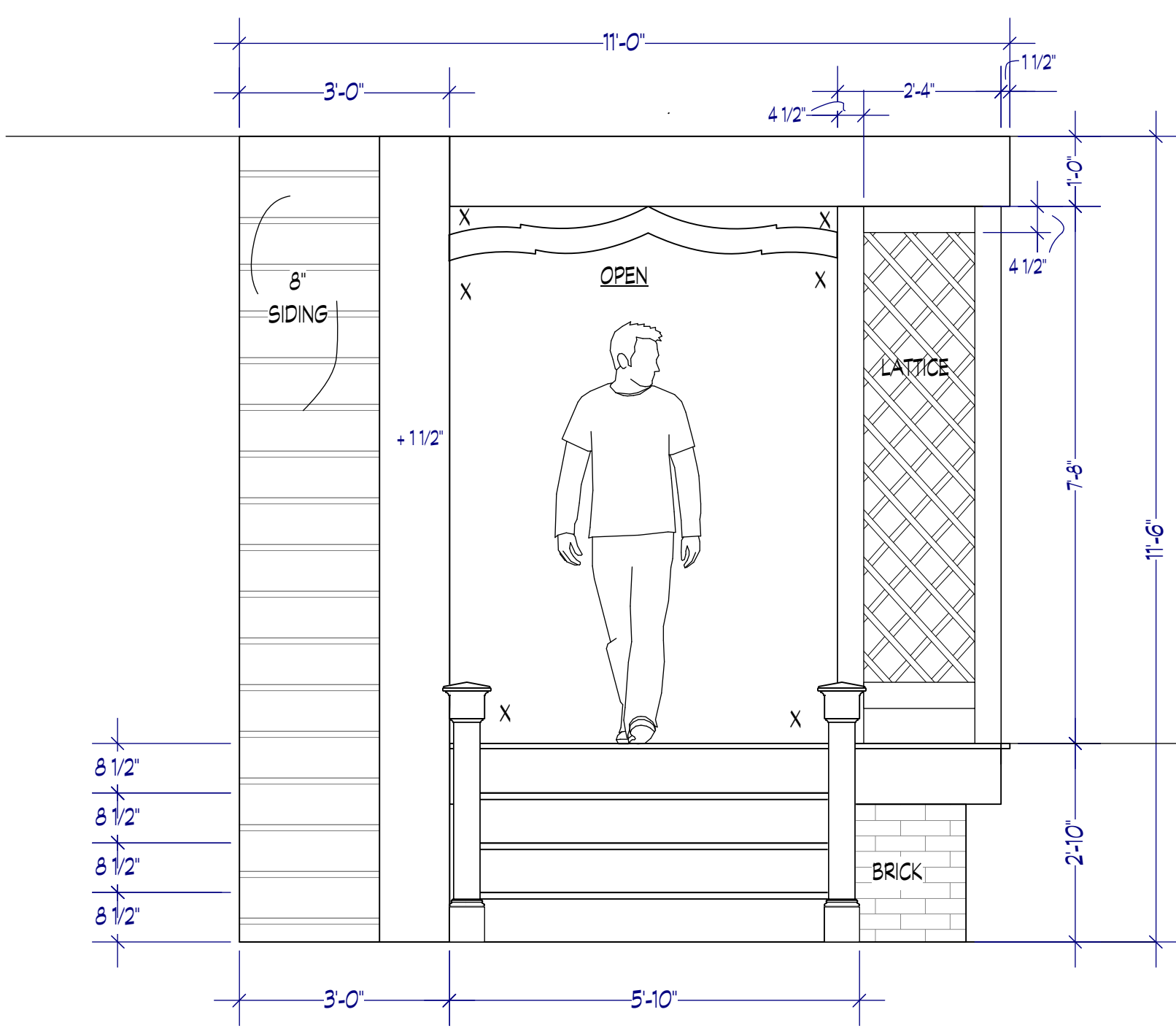
7  
of 11



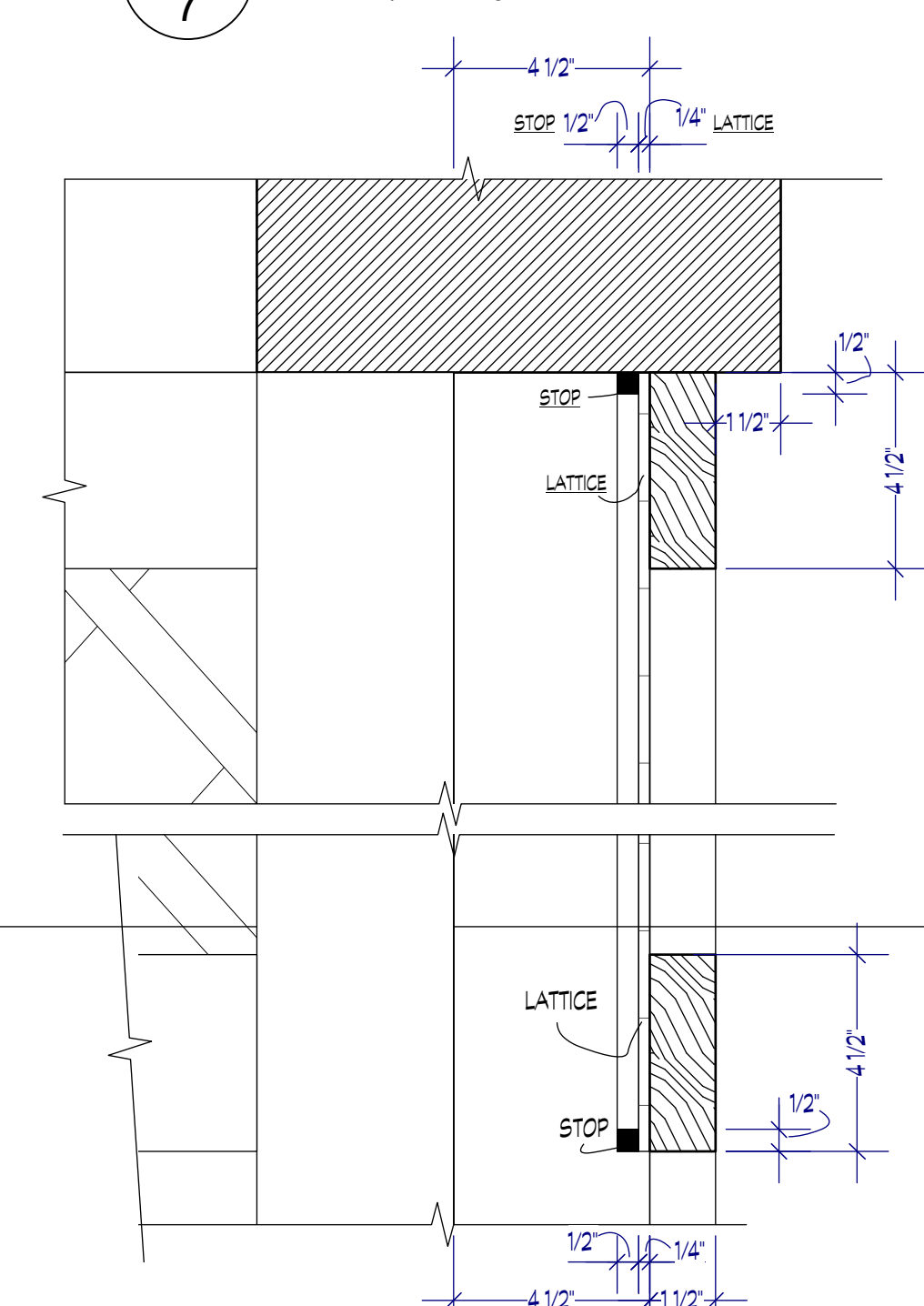
**U**  
7  
FRONT PORCH FRONT ELEVATION  
Scale: 1/2" = 1'-0"



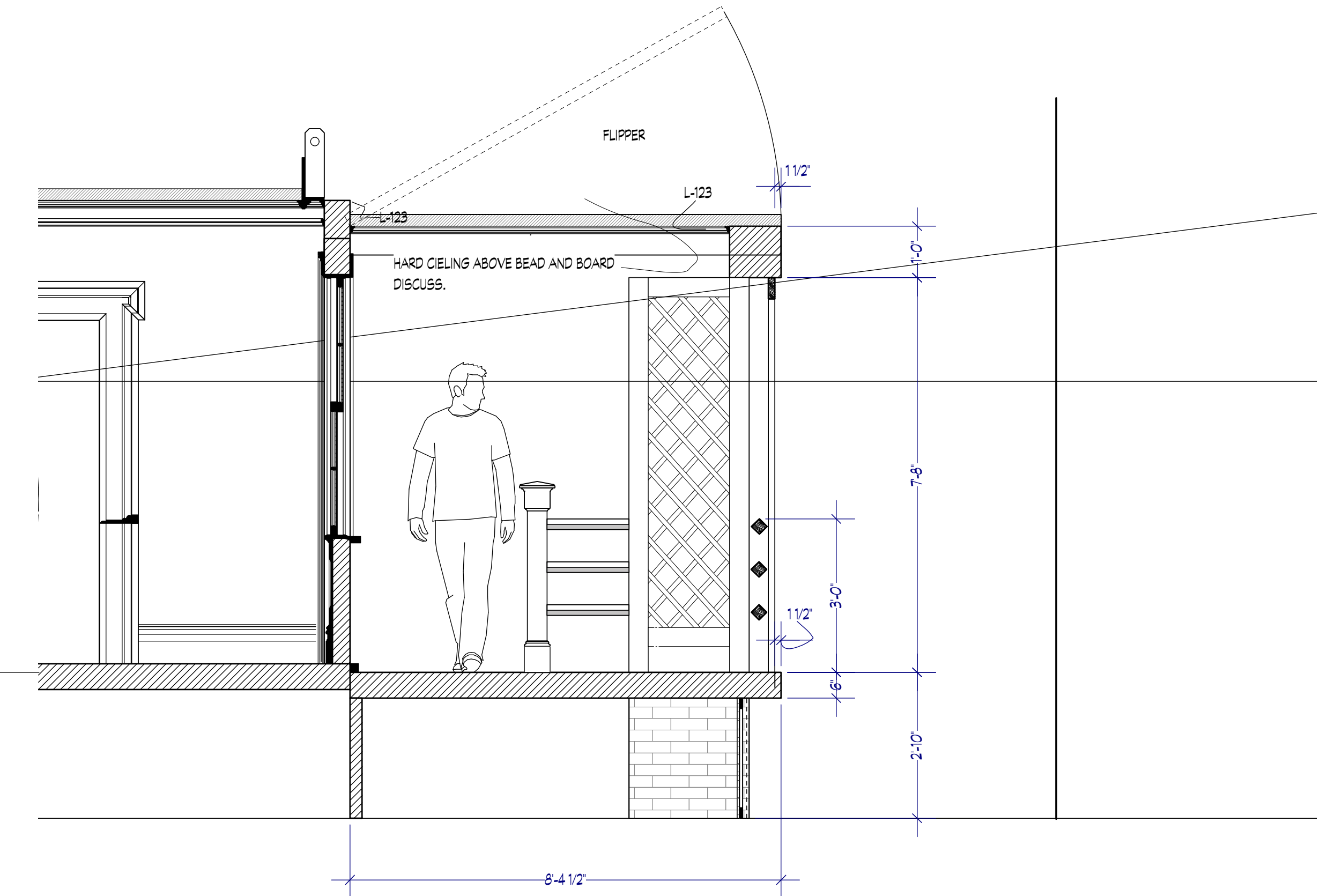
**U**  
7  
FRONT PORCH PLAN  
Scale: 1/2" = 1'-0"



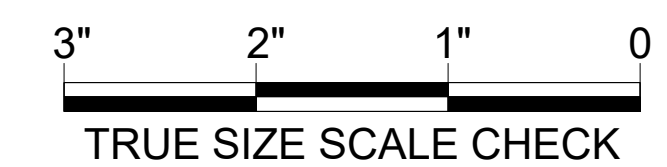
**X**  
7  
FRONT PORCH SIDE ELEVATION  
Scale: 1/2" = 1'-0"



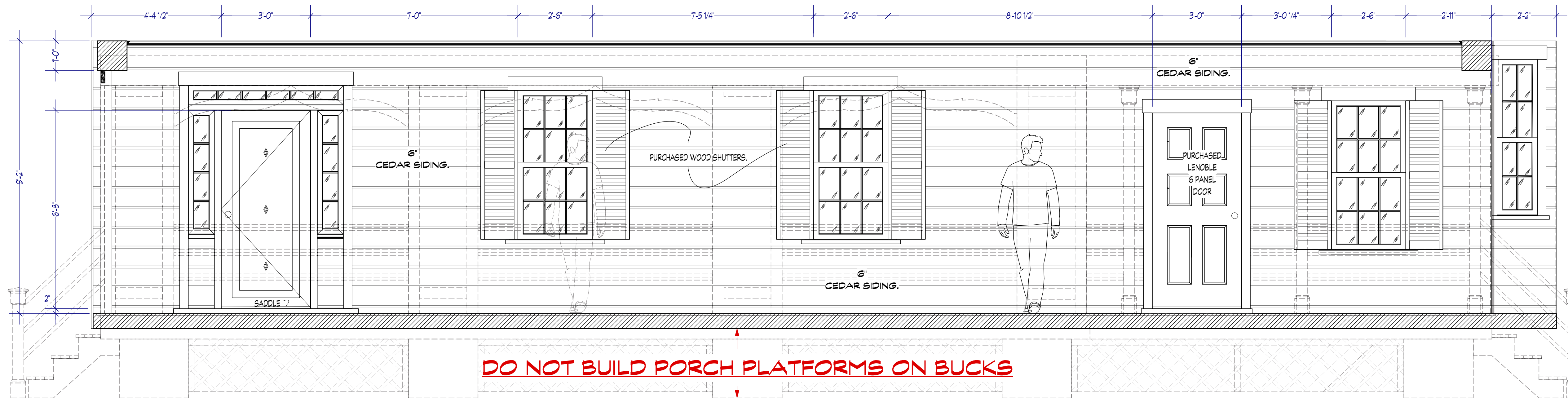
**○**  
LATTICE DETAIL  
Scale: 3" = 1'-0"



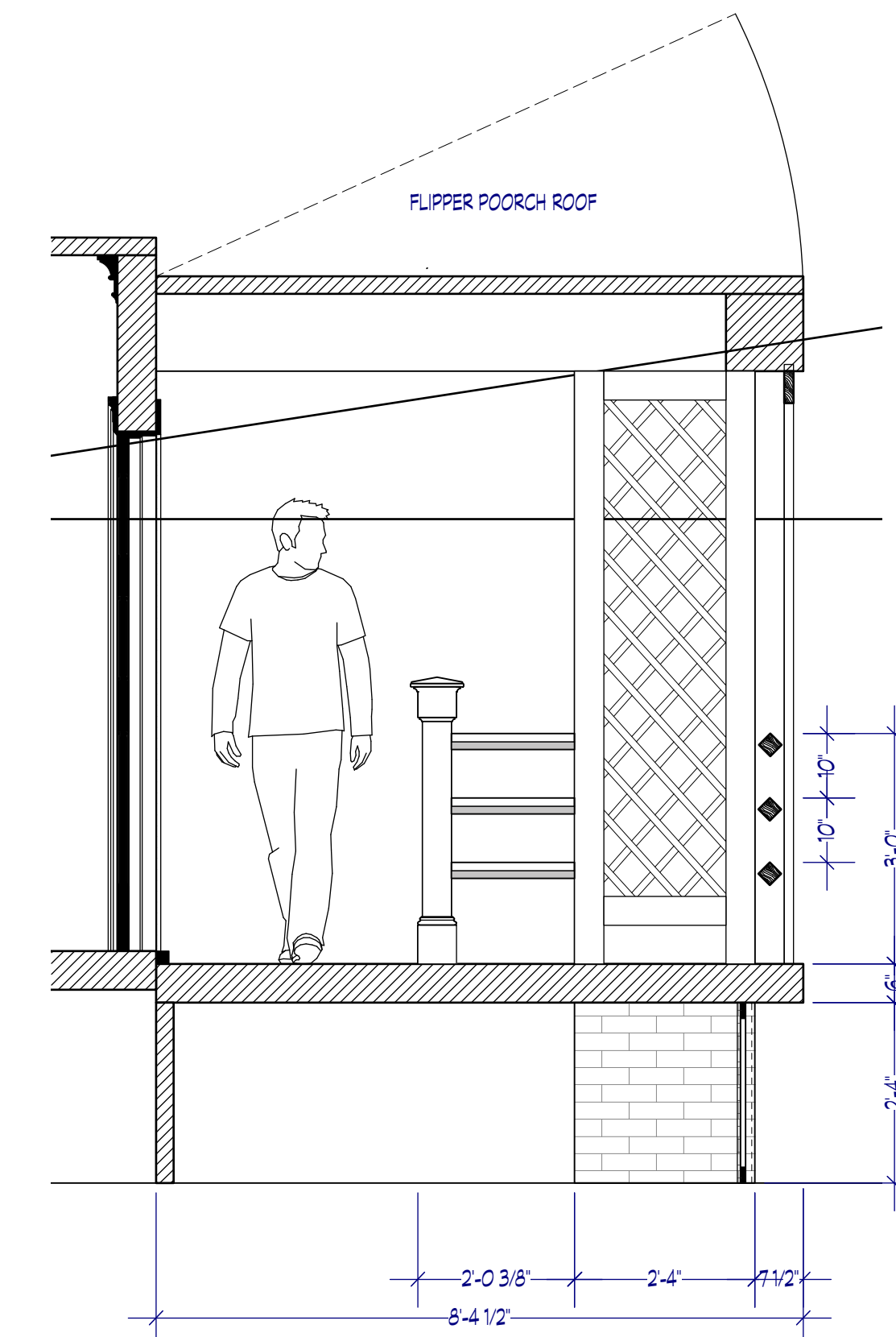
**C-C**  
FRONT PORCH SECTION C-C  
Scale: 1/2" = 1'-0"



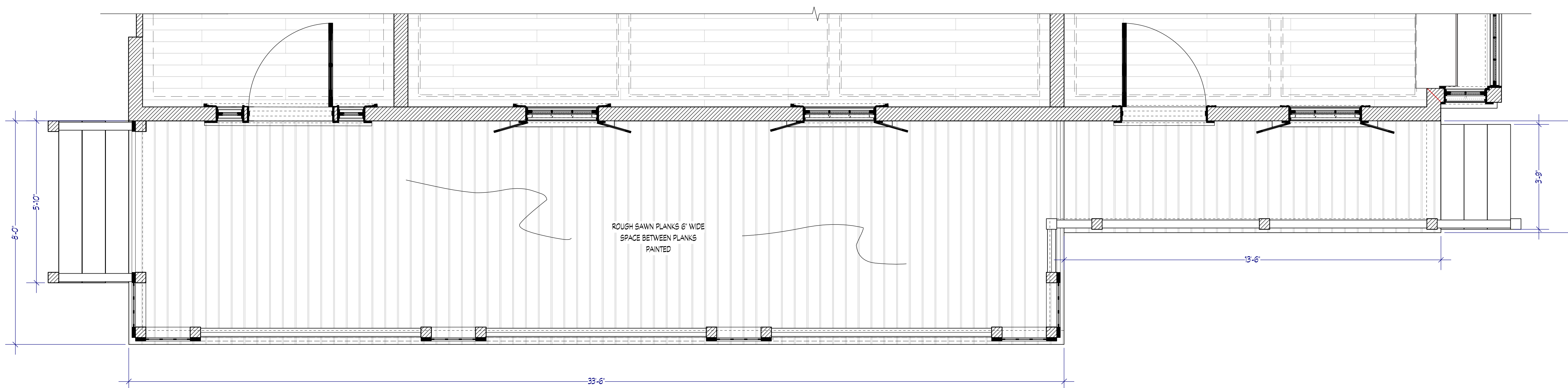
RELEASED 1/12/2016



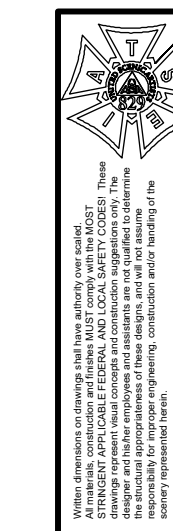
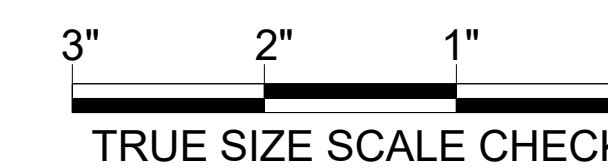
V FRONT HOUSE ELEVATION  
7A Scale: 1/2" = 1'-0"



W SECTION THROUGH DOOR  
7A Scale: 1/2" = 1'-0"



U FRONT PORCH PLAN  
7A Scale: 1/2" = 1'-0"



DRAWING DATE:  
12-12-15  
REVISIONS:

EPISODE:  
AMRT  
SCALE:  
1/2" = 1'-0"

SET NO. & DESCRIPTION:  
101 AMORT INT. FARMHOUSE  
LOCATION:  
STAGE 24, BROADWAY STAGES

PRODUCTION DESIGNER: JONATHAN A. CARLSON  
ART DIRECTOR: Rick Dennis  
DRAWING BY: MDF

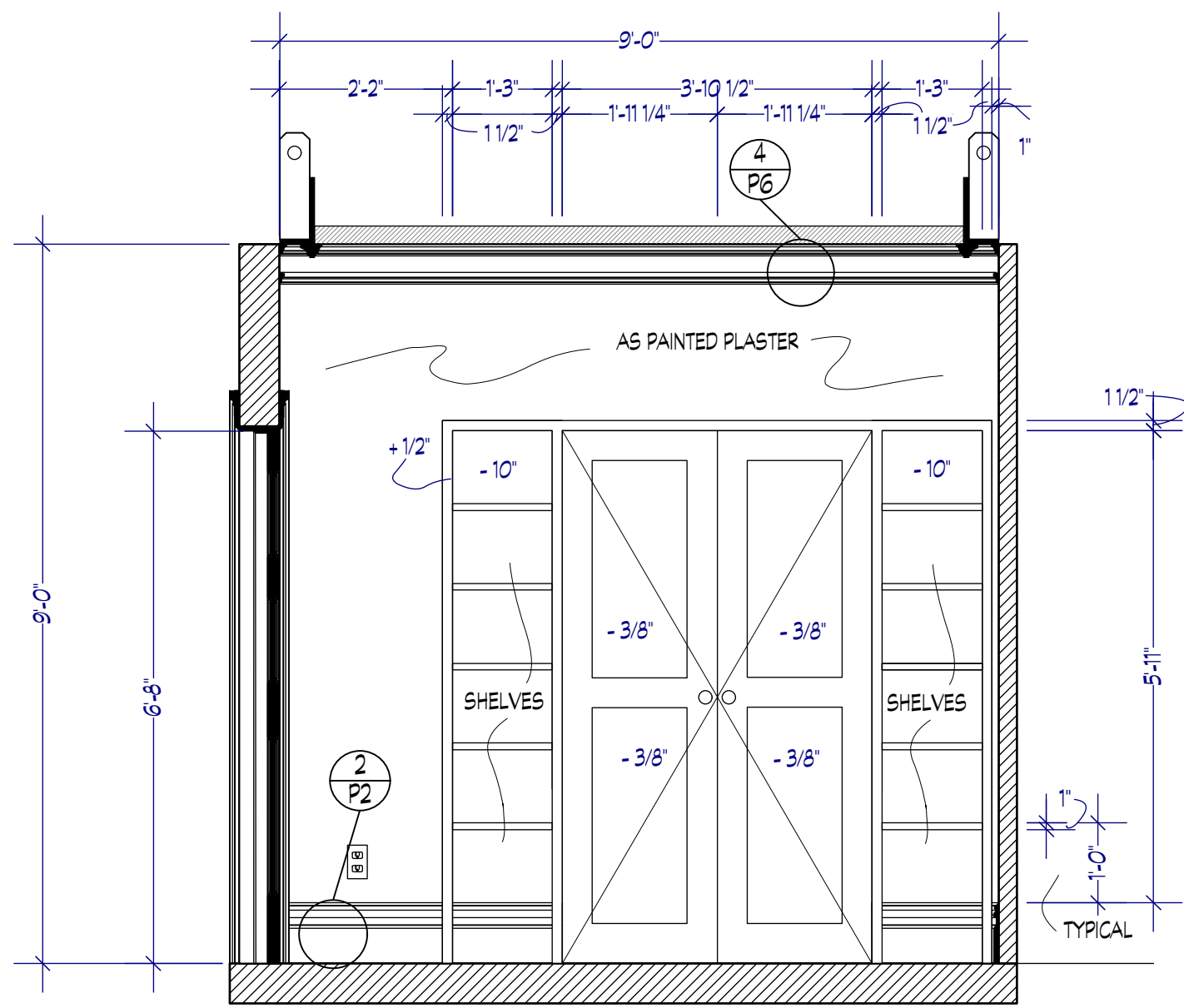
**FARM HOUSE**

**sneaky pefe**

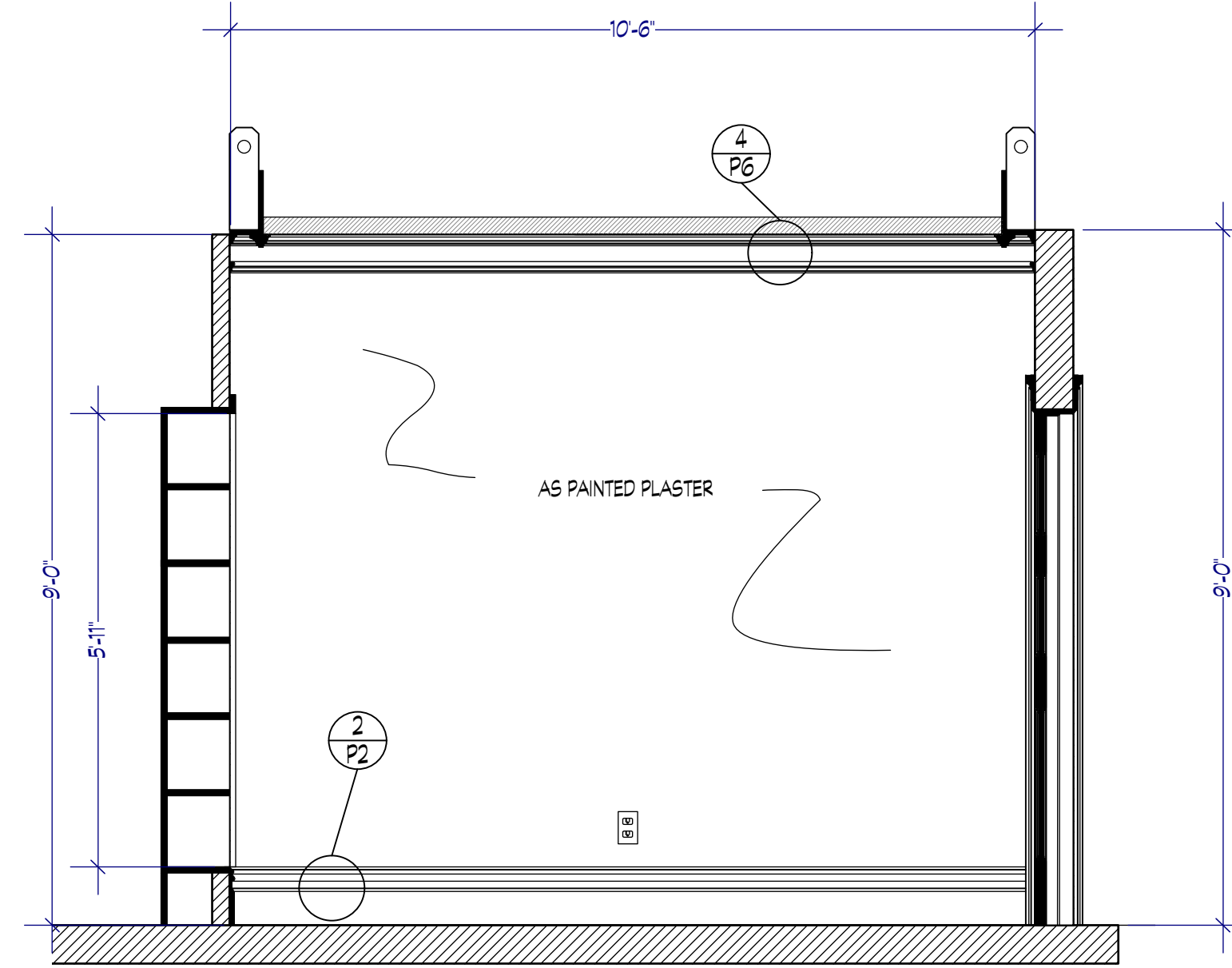
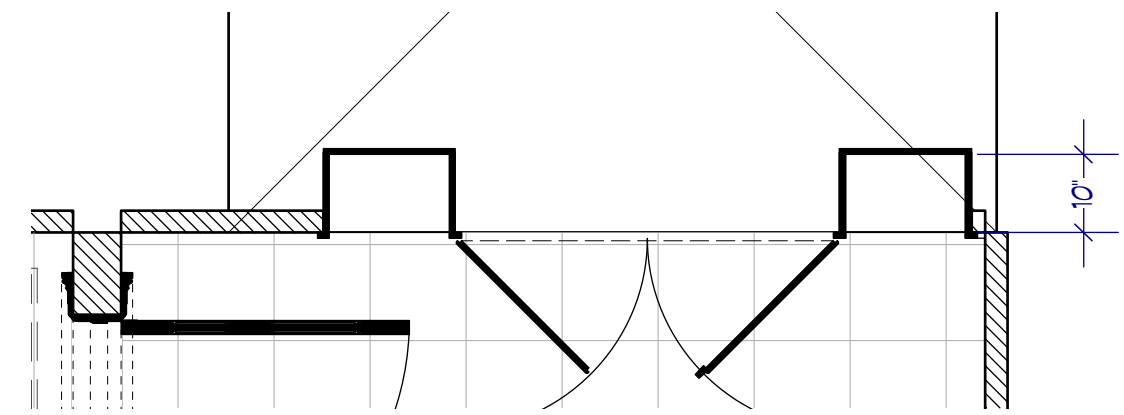
EP NO.  
AMRT  
SET NO.  
302  
DWG NO.  
7A  
of 11

RELEASED 1/12/2016

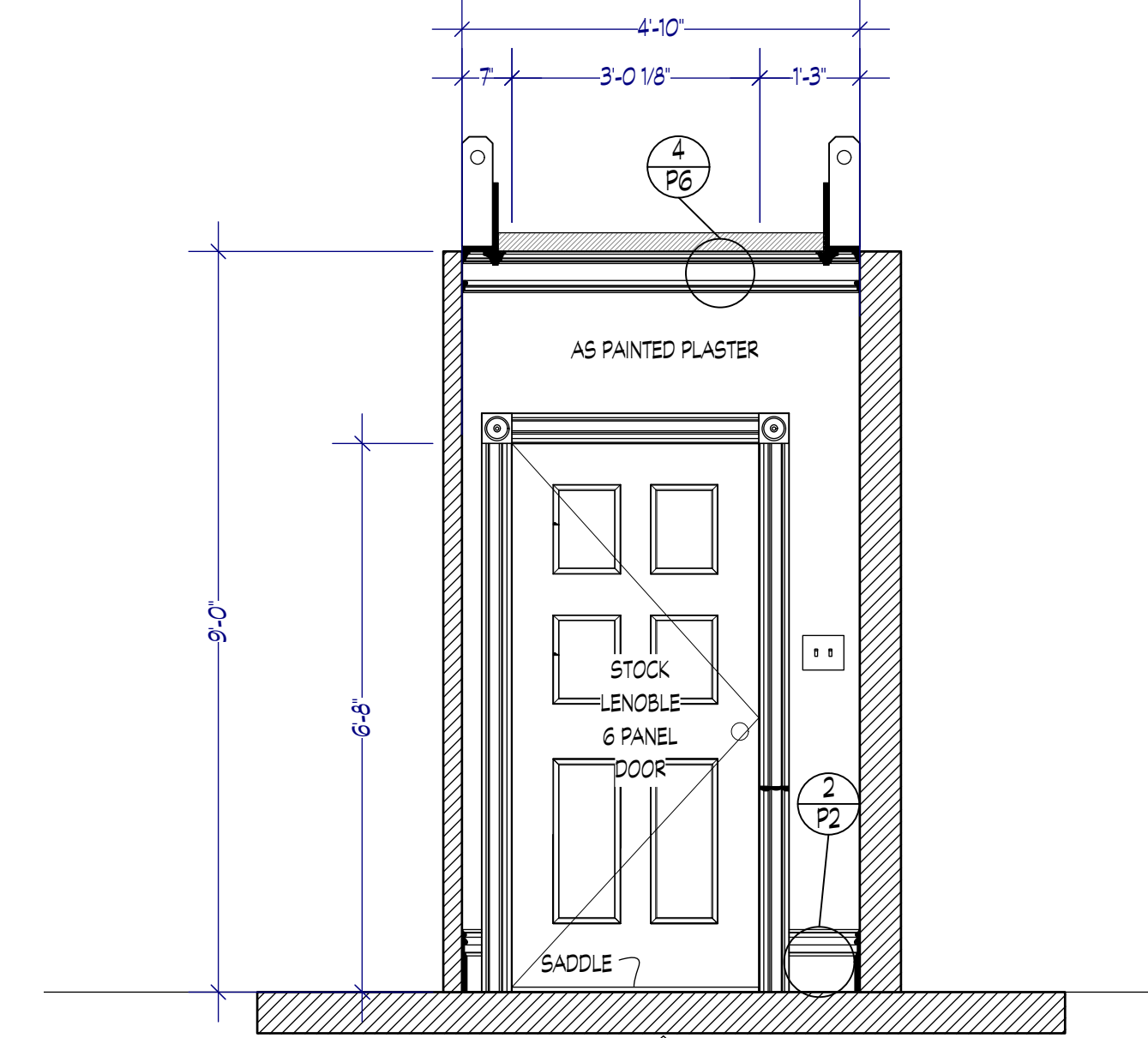
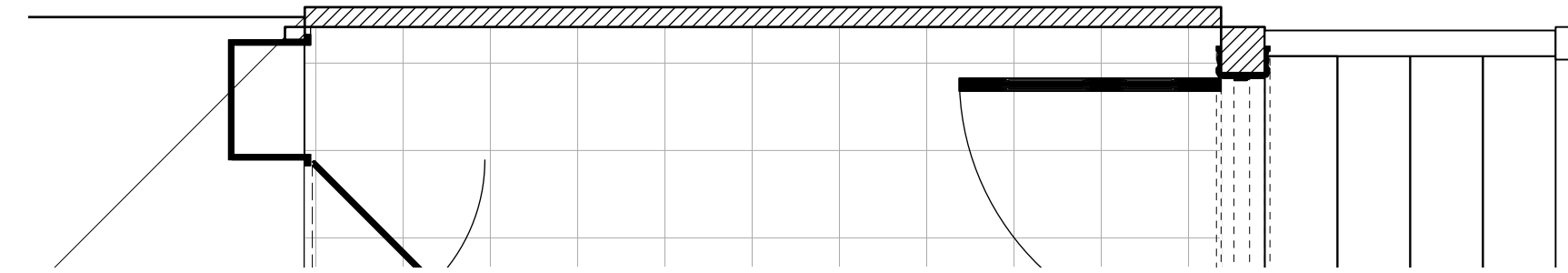




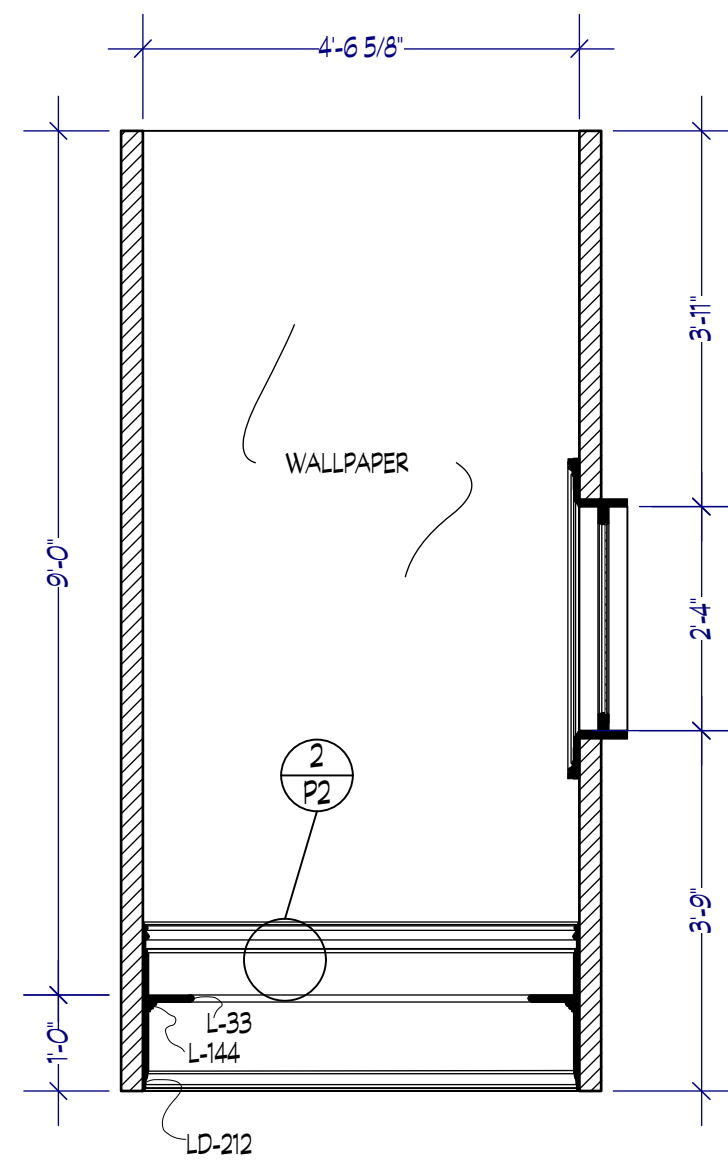
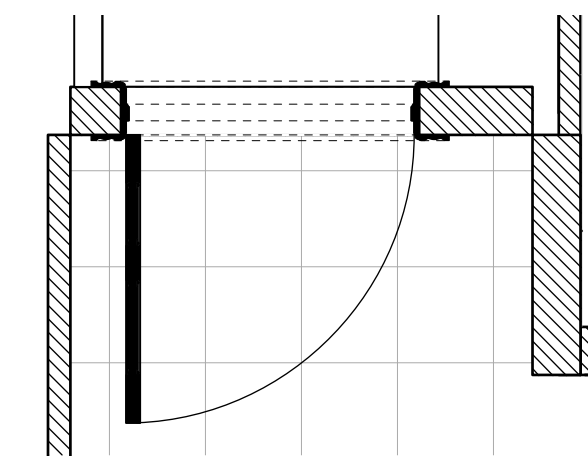
**1A MUD ROOM CABINET ELEVATION**  
 Scale: 1/2" = 1'-0"



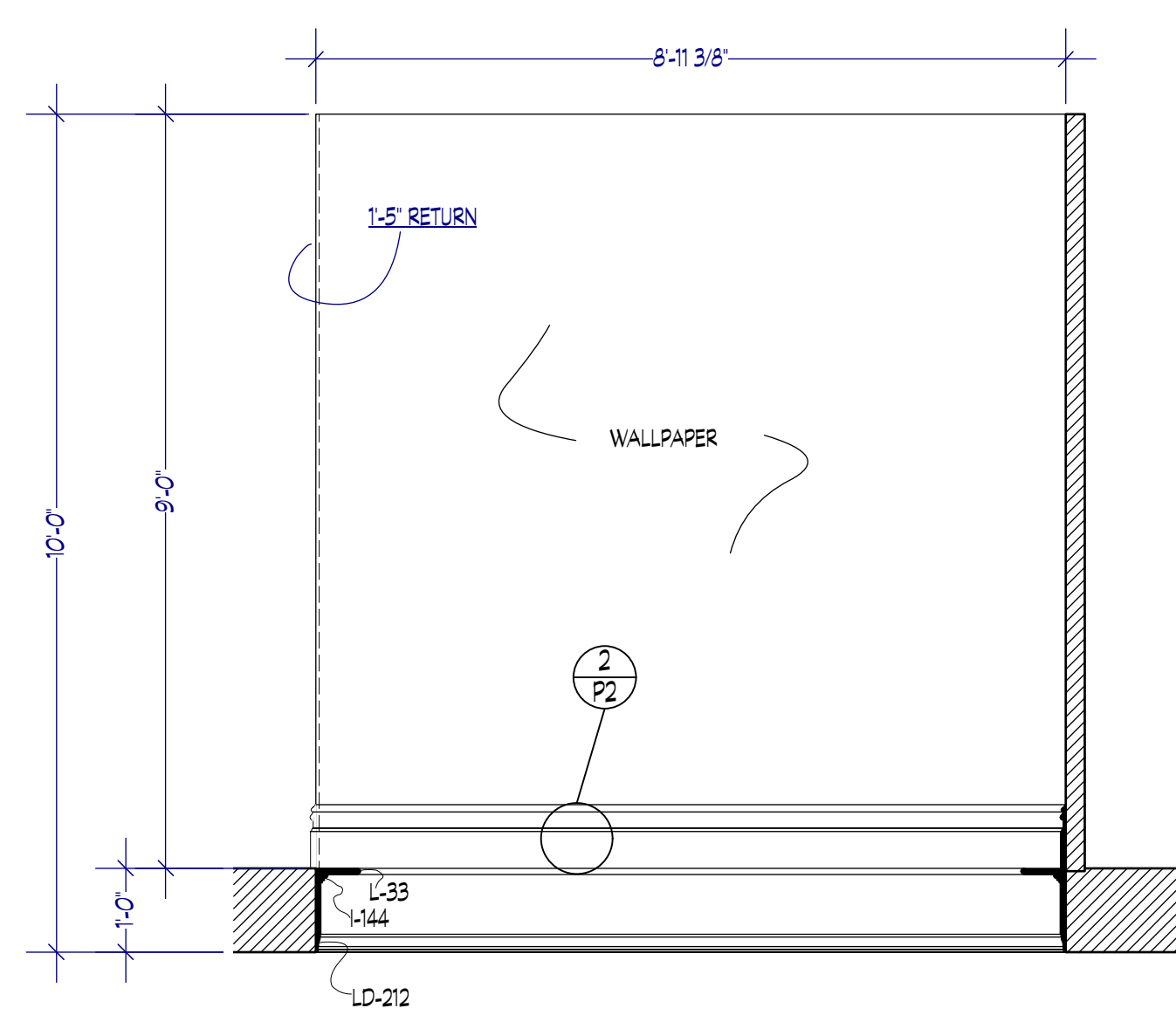
**2A MUD ROOM WALL ELEVATION**  
 Scale: 1/2" = 1'-0"



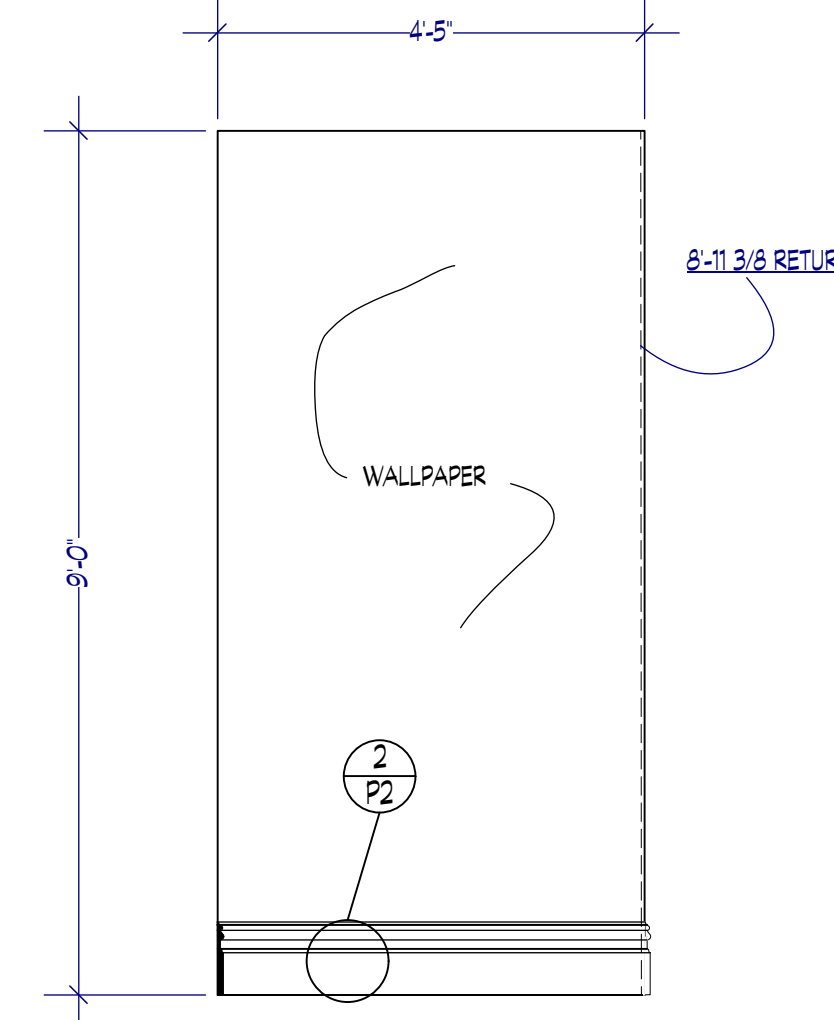
**3A MUD ROOM DOOR ELEVATION**  
 Scale: 1/2" = 1'-0"



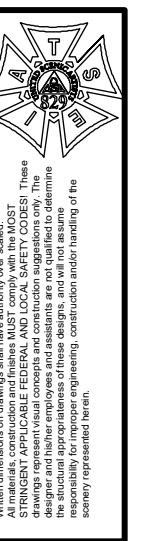
**STAIRS ABOVE FRONT DOOR**  
 Scale: 1/2" = 1'-0"



**STAIRS ABOVE LIVING RM DOOR ELEVATION**  
 Scale: 1/2" = 1'-0"



**RETURN WALL ELEVATION**  
 Scale: 1/2" = 1'-0"



DRAWING DATE:  
12-12-16

REVISIONS:  
---

EPISODE:  
AMRT

SCALE:  
1/2"=1'-0"

SET NO. & DESCRIPTION:  
101 AMRRT. INT. FARMHOUSE

LOCATION:  
STAGE 24, BROADWAY STAGES

PRODUCTION DESIGNER: JONATHAN A. CARLSON

ART DIRECTOR: Rick Dennis

DRAWING BY: MDF

**FARM HOUSE**

**sneaky pete**

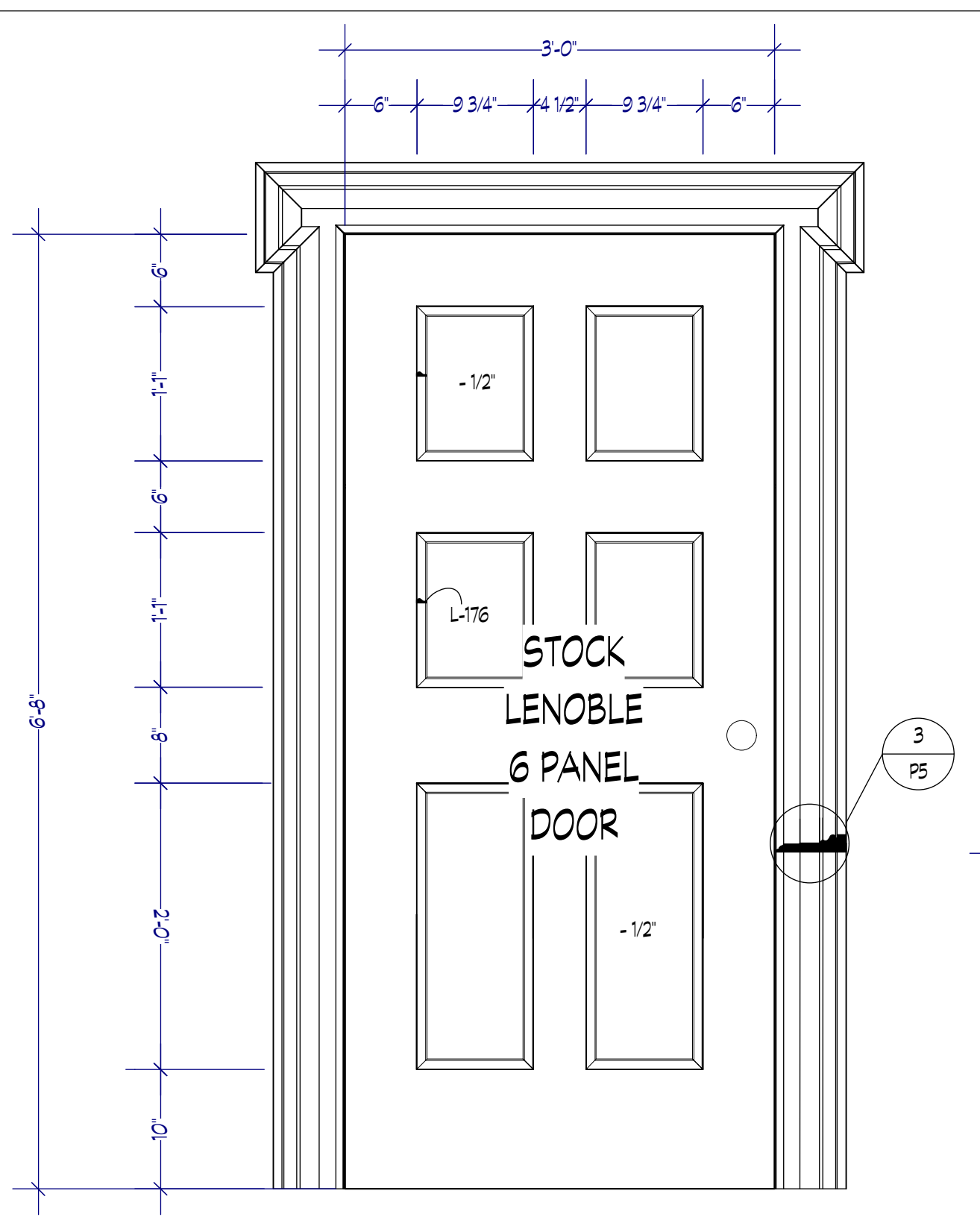
EP NO.  
AMRT

SET NO.  
101

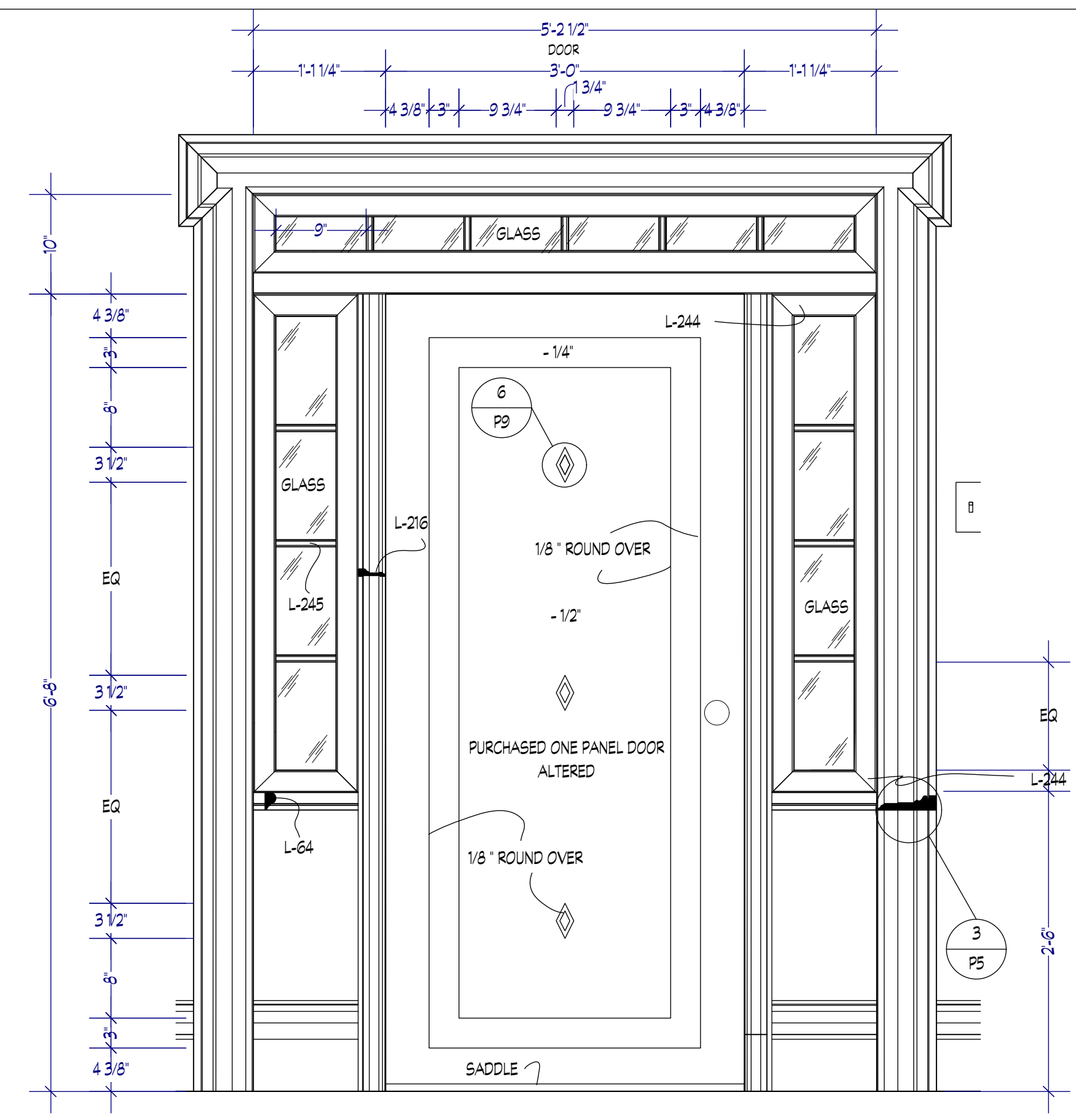
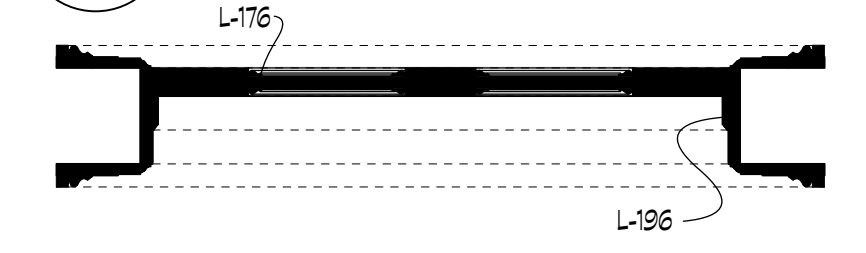
DWG NO.  
8

of 11

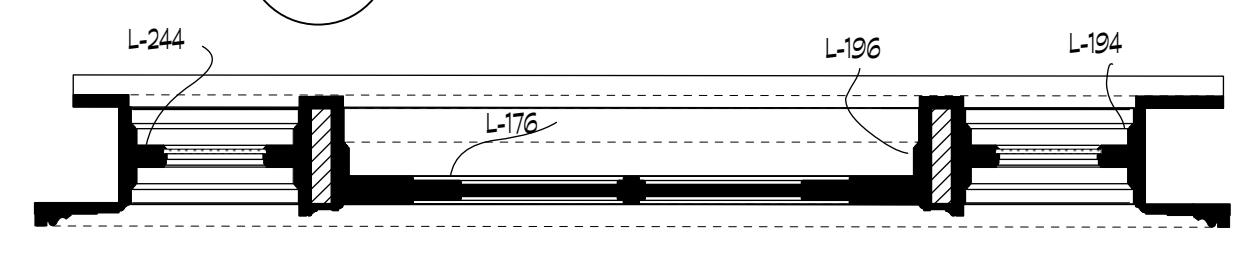
RELEASED 1/12/2016



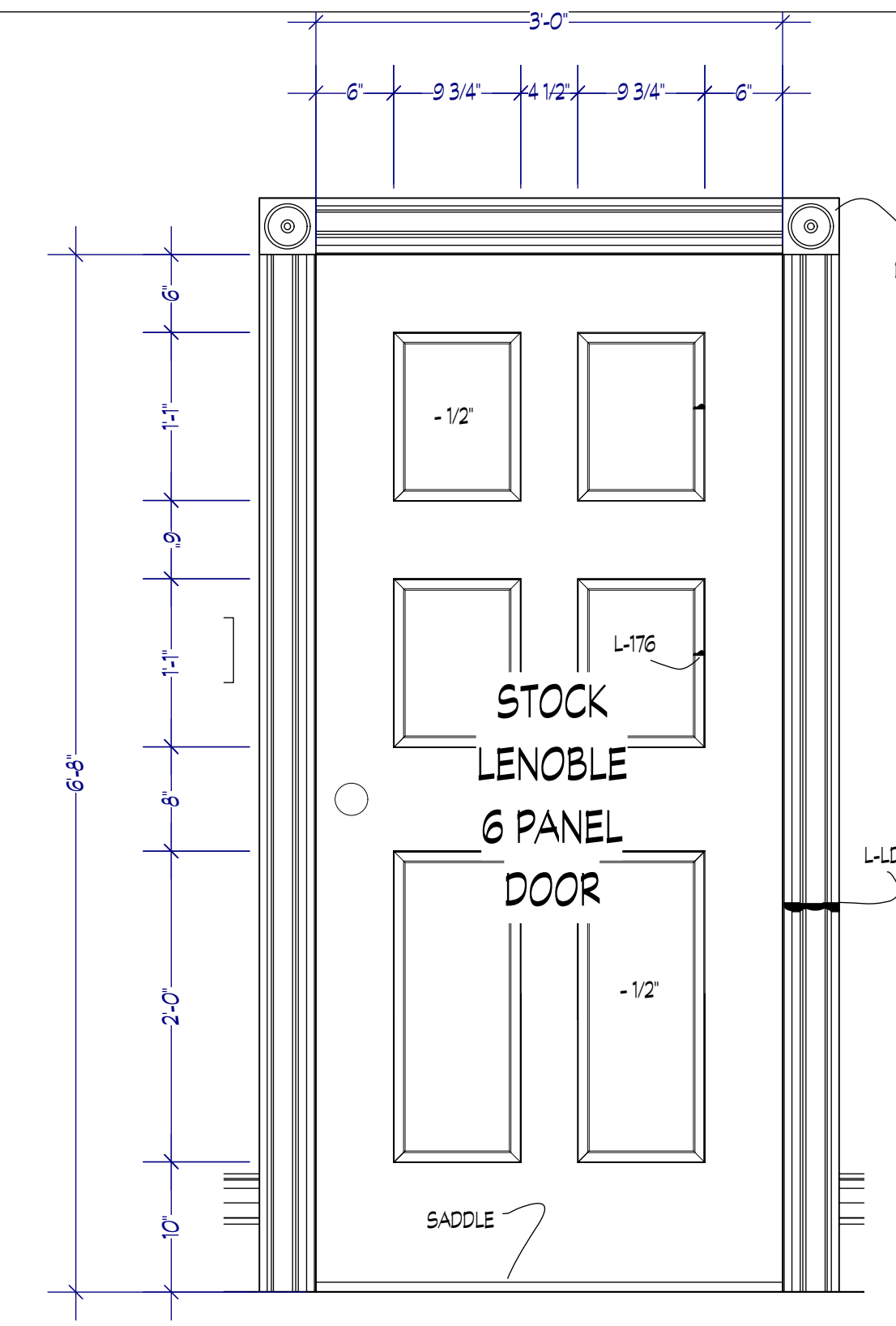
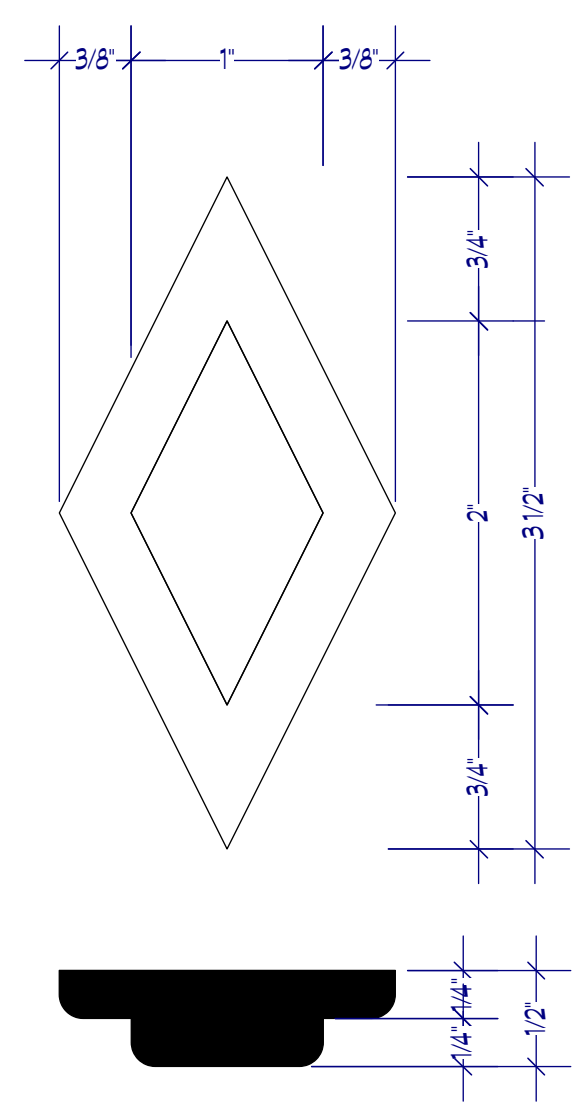
**D1 DOOR 1 DETAIL**  
Scale: 1" = 1'-0"



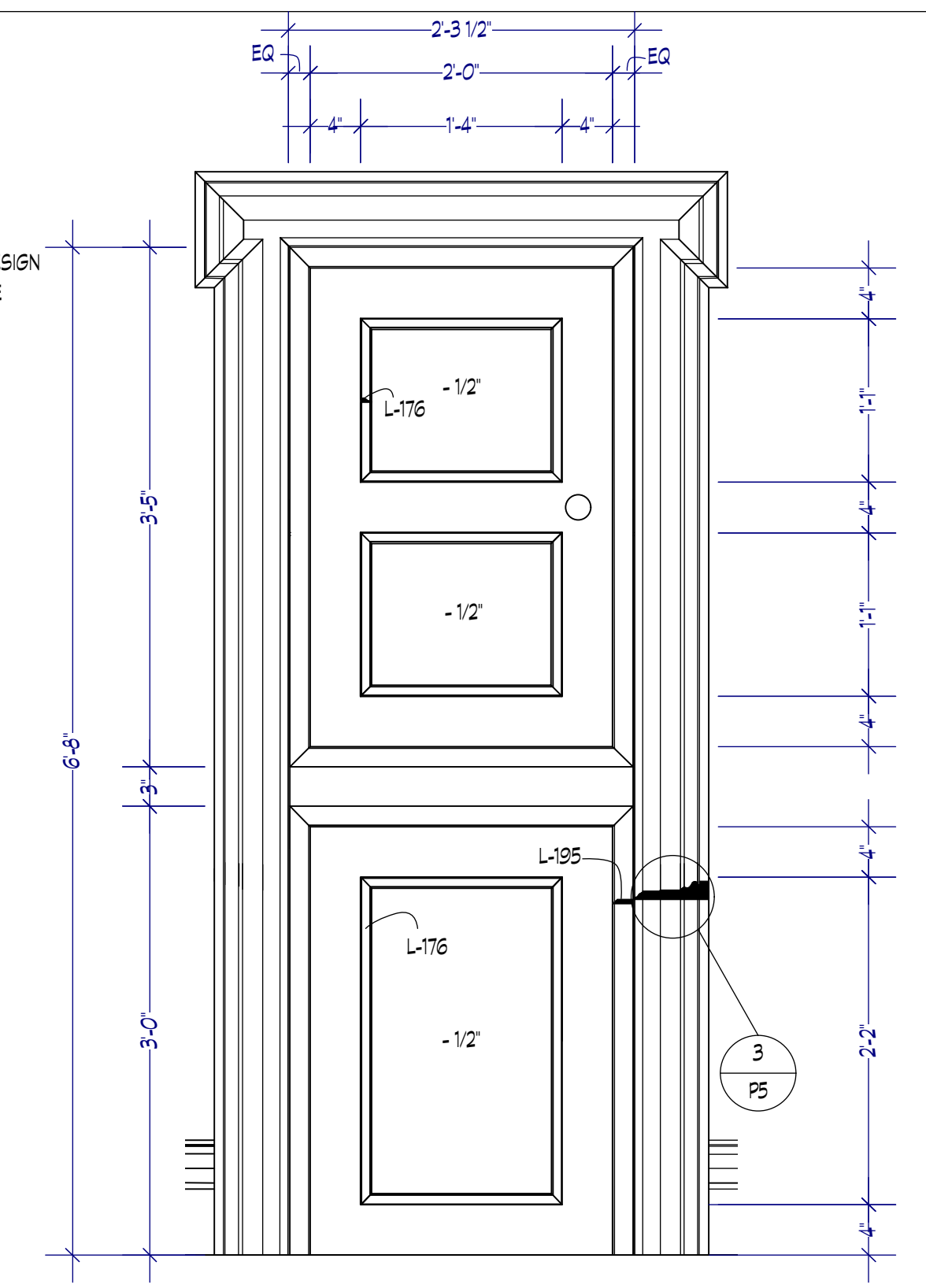
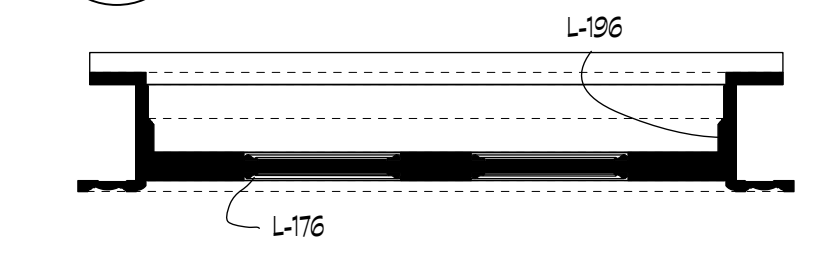
**D2 DOOR 2 DETAIL**  
Scale: 1" = 1'-0"



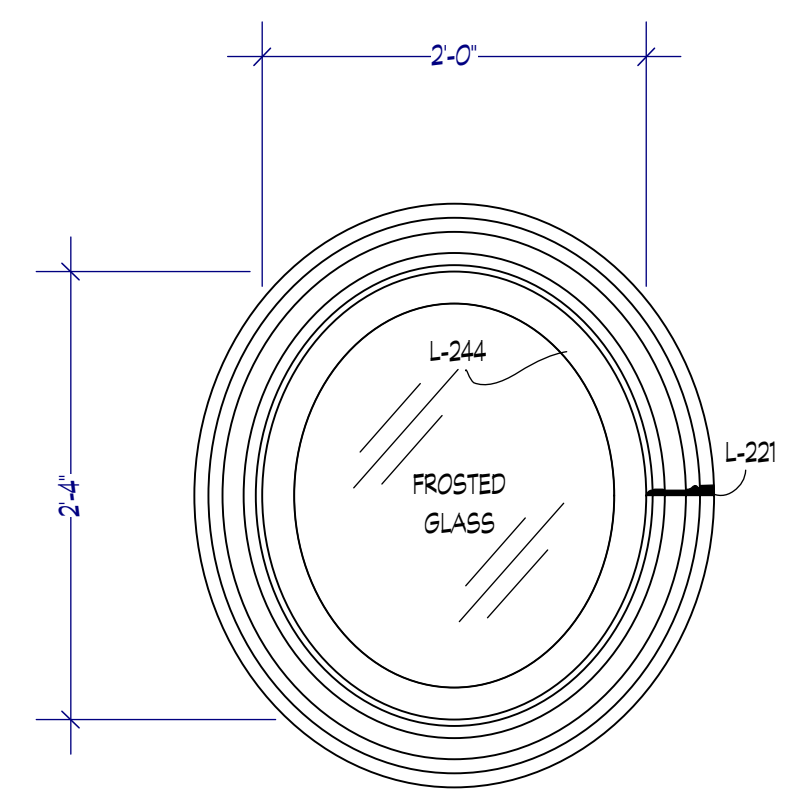
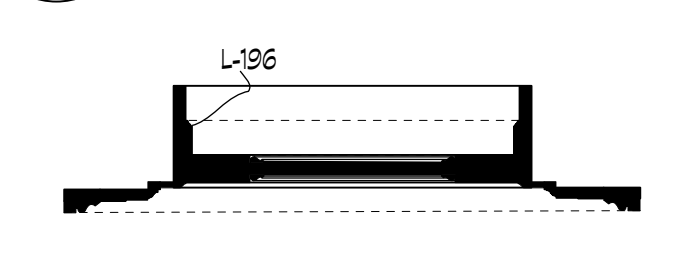
**6 DIAMOND DETAIL**  
Scale: Actual Size



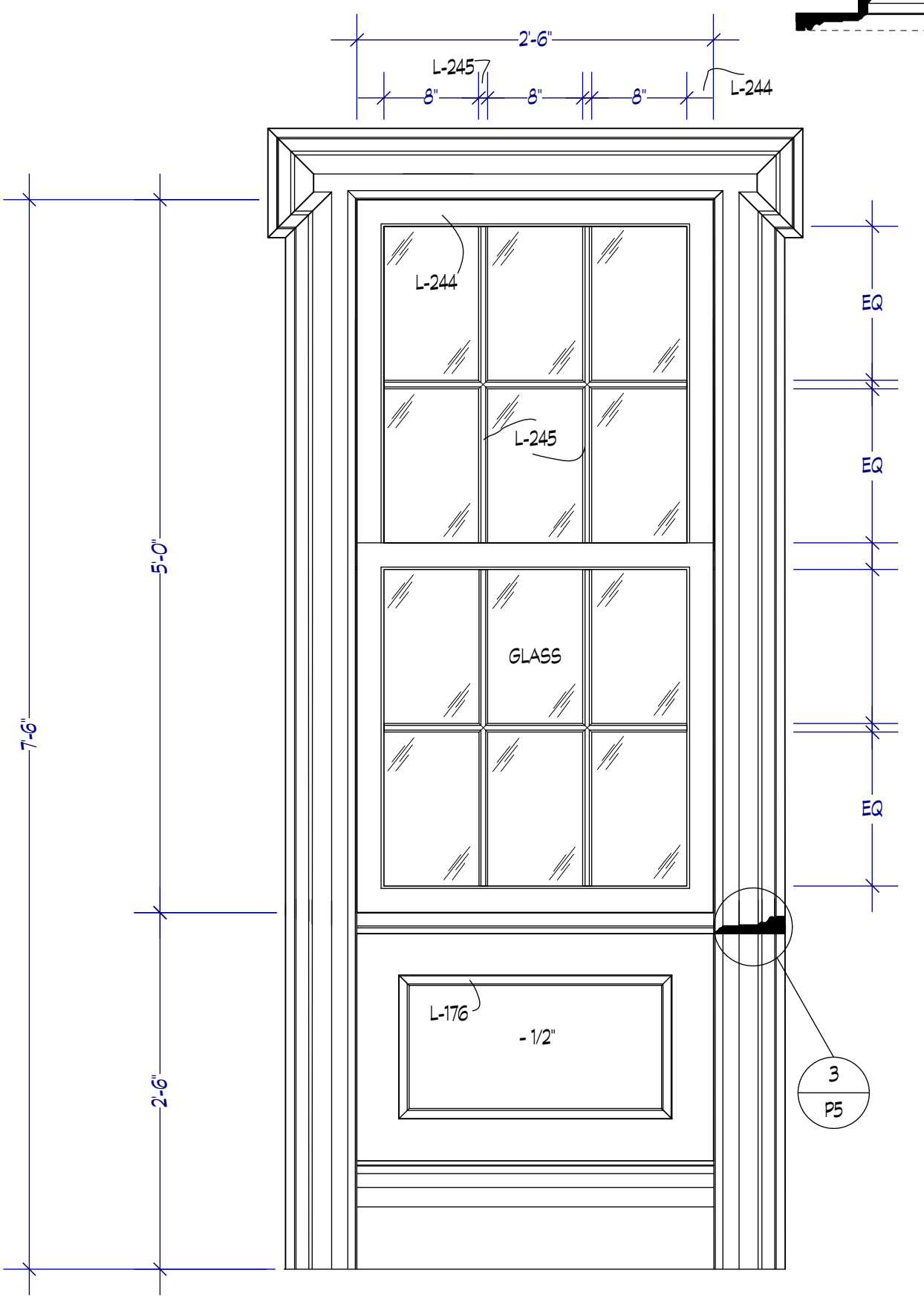
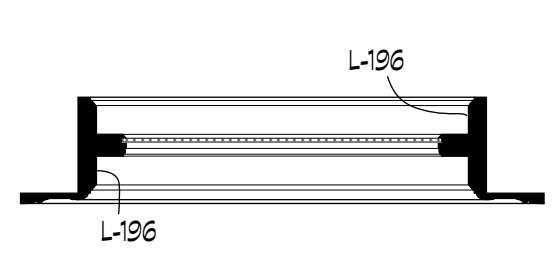
**D3 DOOR 3 DETAIL**  
Scale: 1" = 1'-0"



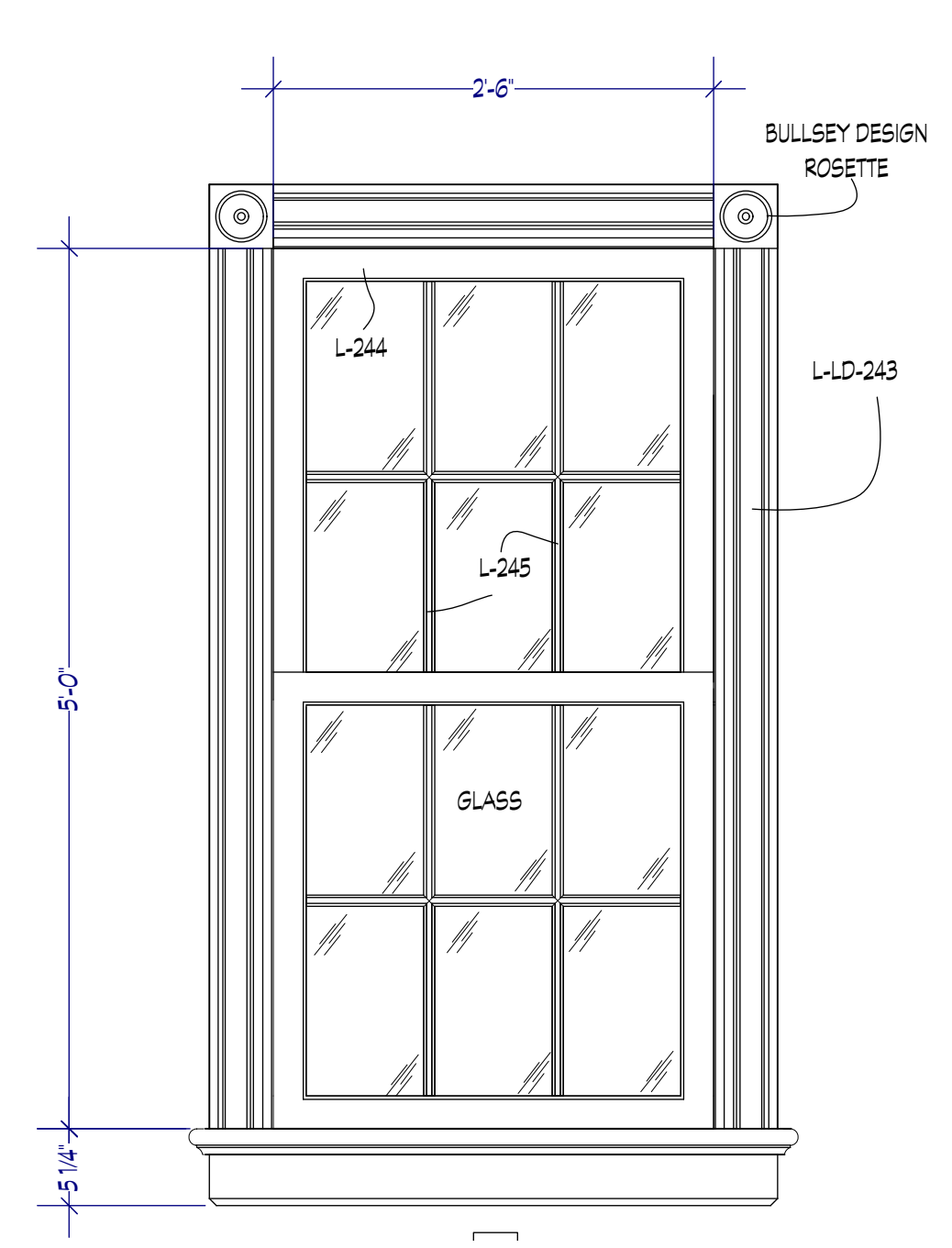
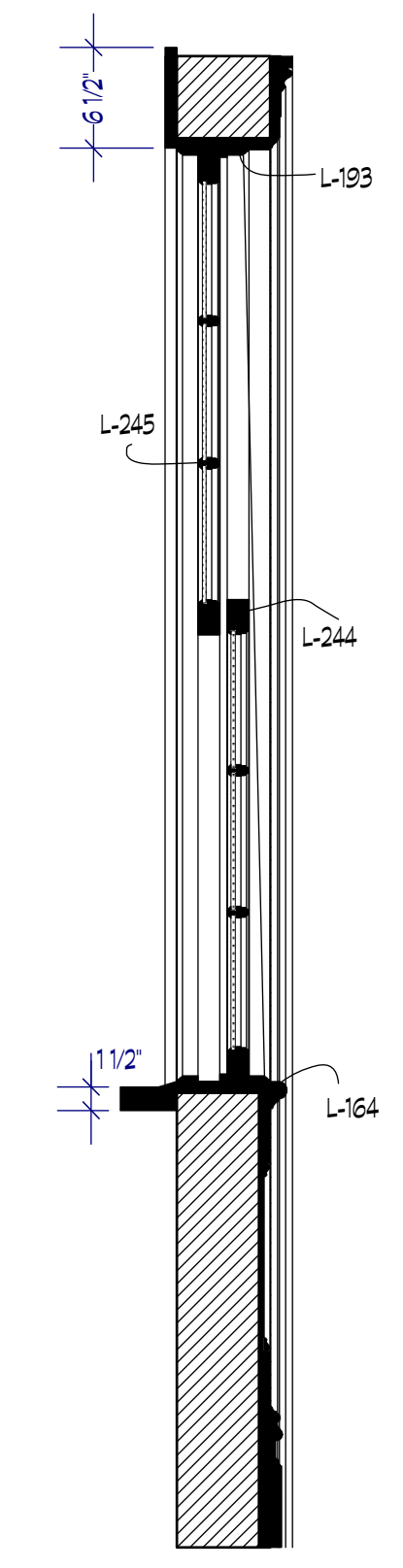
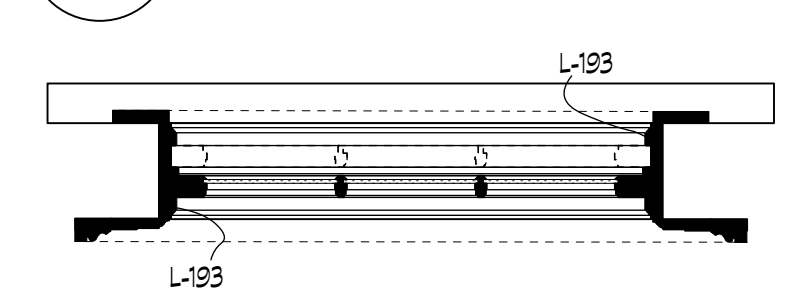
**D4 DOOR 4 DETAIL**  
Scale: 1" = 1'-0"



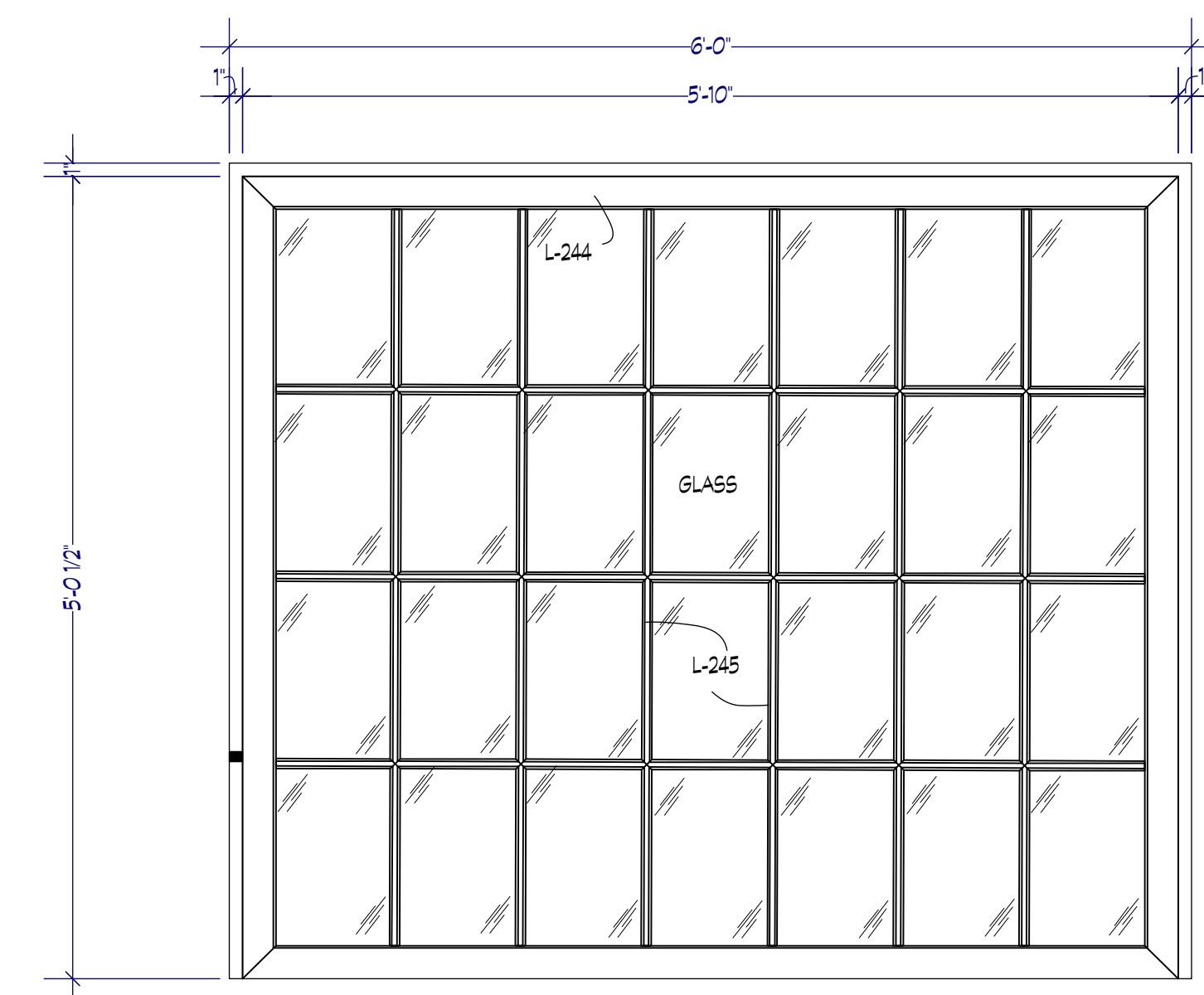
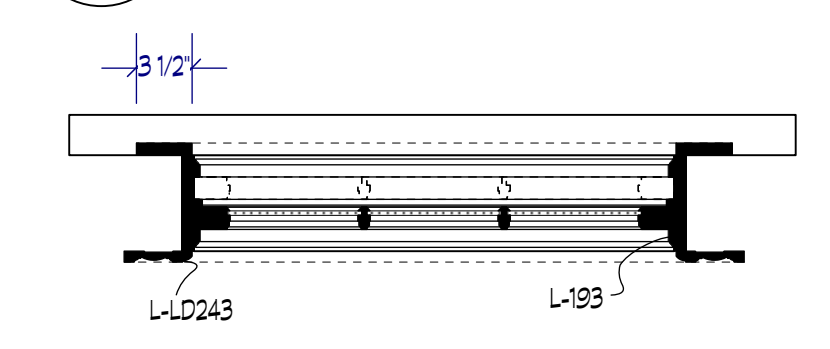
**W1 WINDOW 1 DETAIL**  
Scale: 1" = 1'-0"



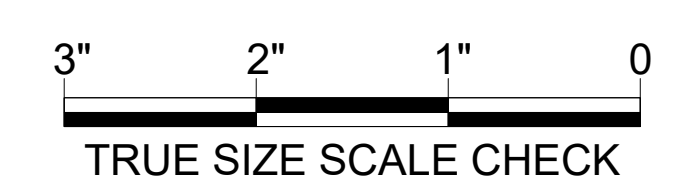
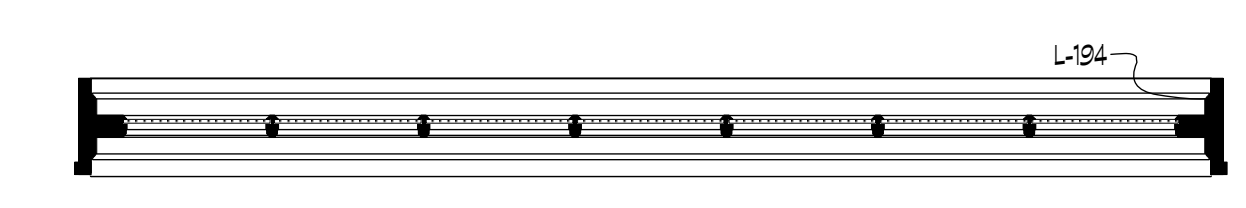
**W2 WINDOW 2 DETAIL**  
Scale: 1" = 1'-0"



**W3 WINDOW 3 DETAIL**  
Scale: 1" = 1'-0"



**W4 WINDOW 4 DETAIL**  
Scale: 1" = 1'-0"



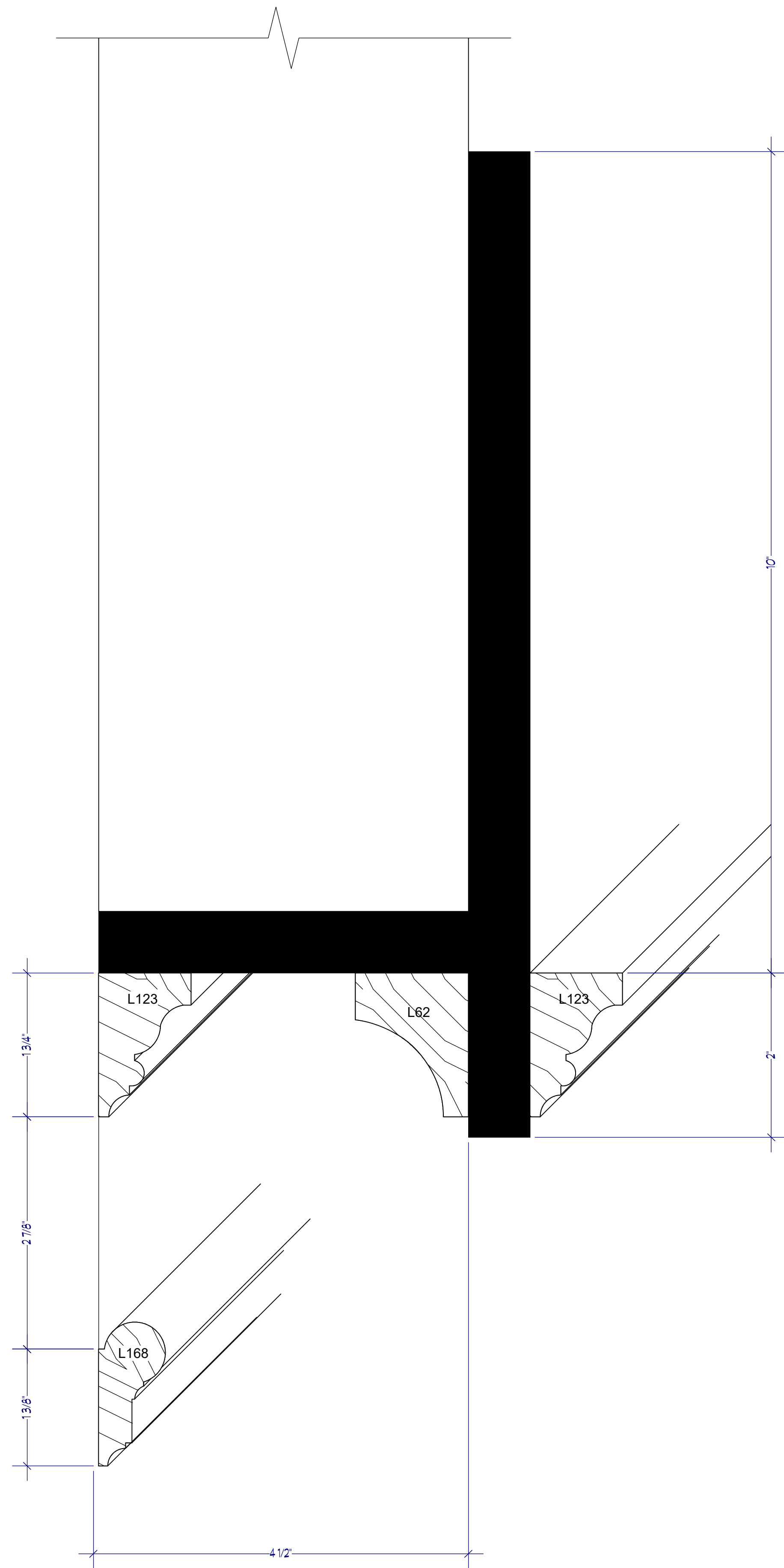
EPISODE: AMORT  
 SET NO. 101  
 DWG NO. 9  
 of 11

DRAWING DATE: 12-12-15  
 REVISIONS:

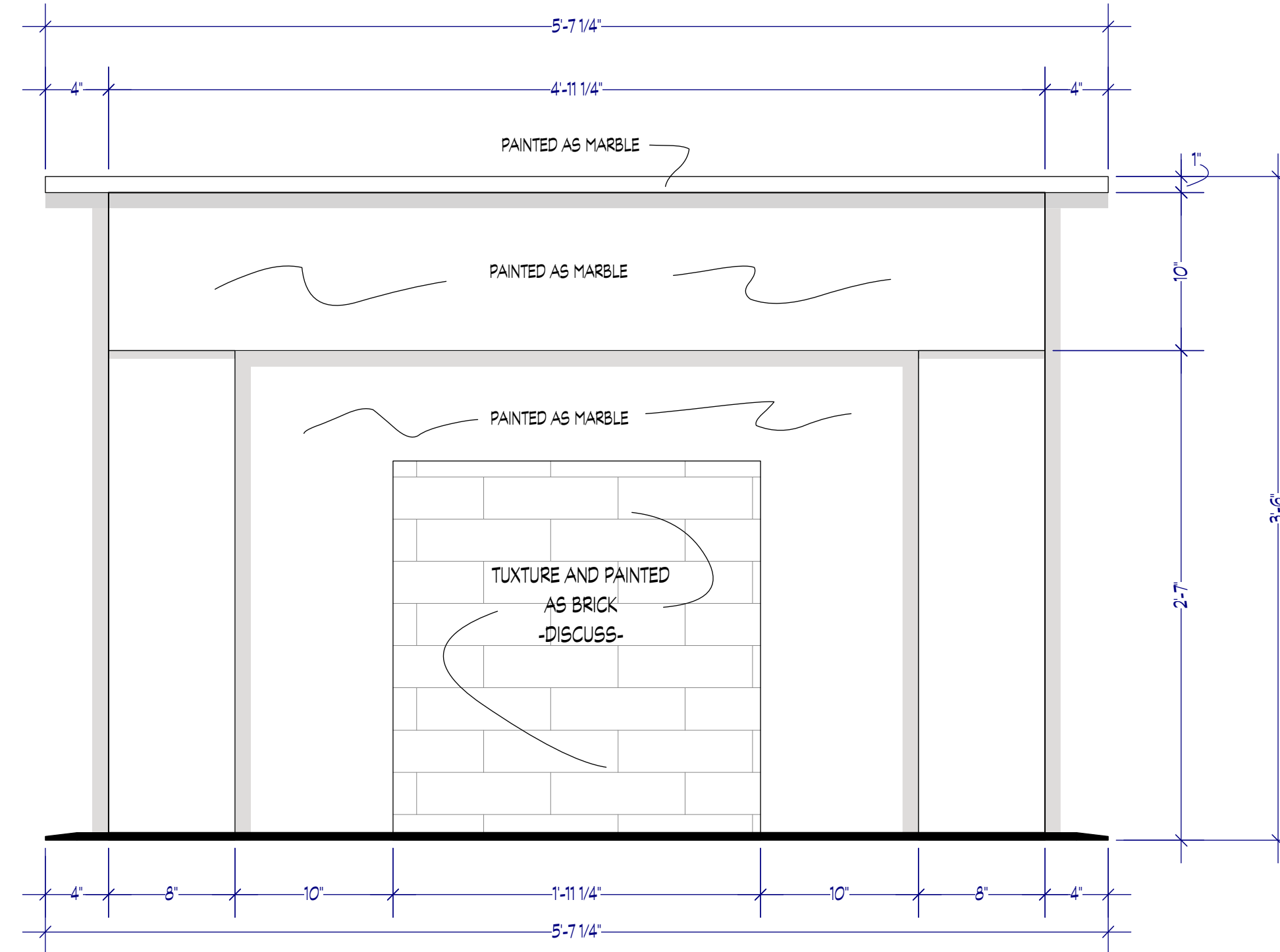
SET NO. & DESCRIPTION: 101 AMORT. INT. FARMHOUSE  
 LOCATION: STAGE 24, BROADWAY STAGES

PRODUCTION DESIGNER: JONATHAN A. CARLSON  
 ART DIRECTOR: Rick Dennis  
 DRAWING BY: MDF

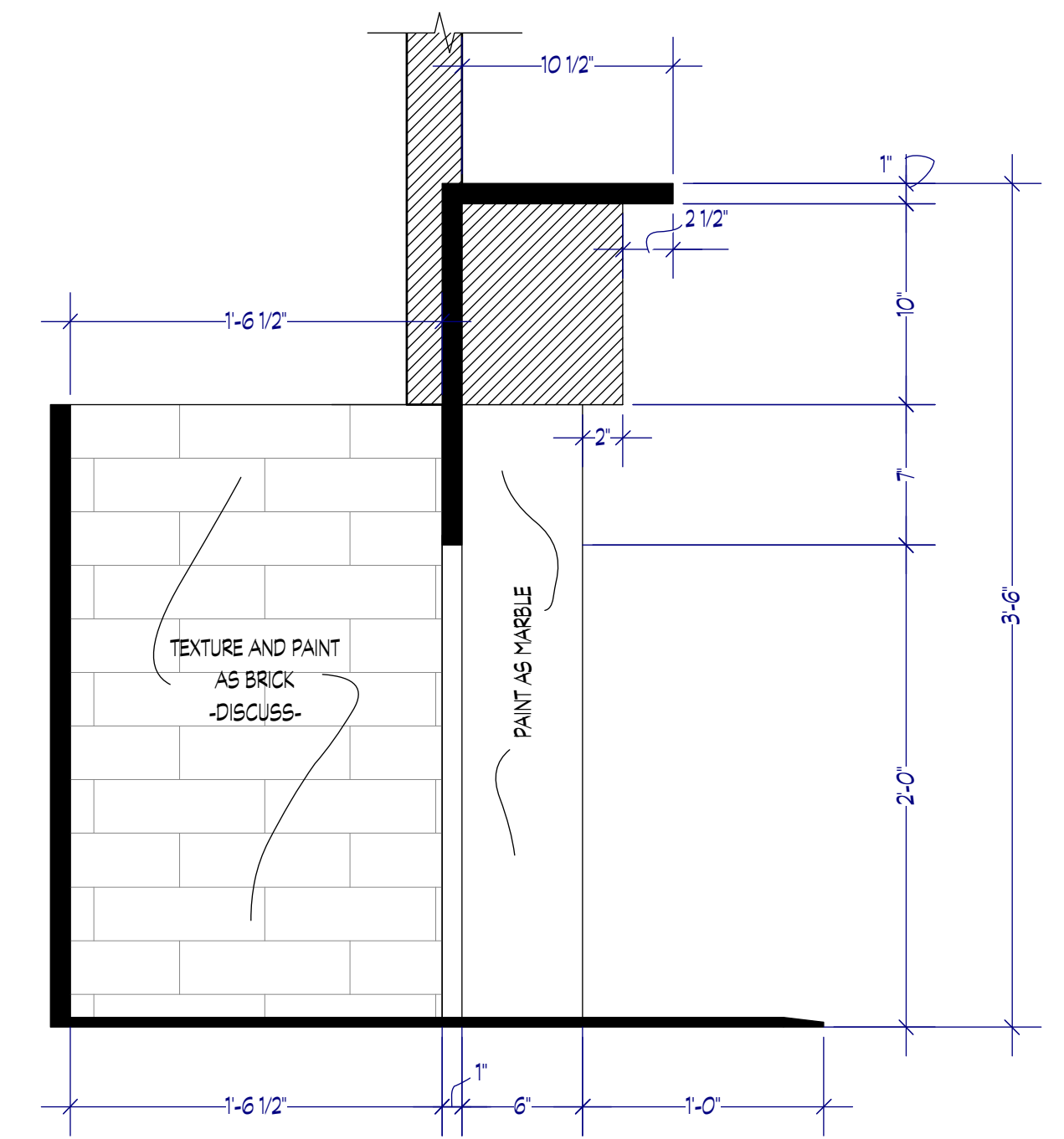
**RELEASED 1/12/2016**  
**sneaky pete**  
**FARM HOUSE**



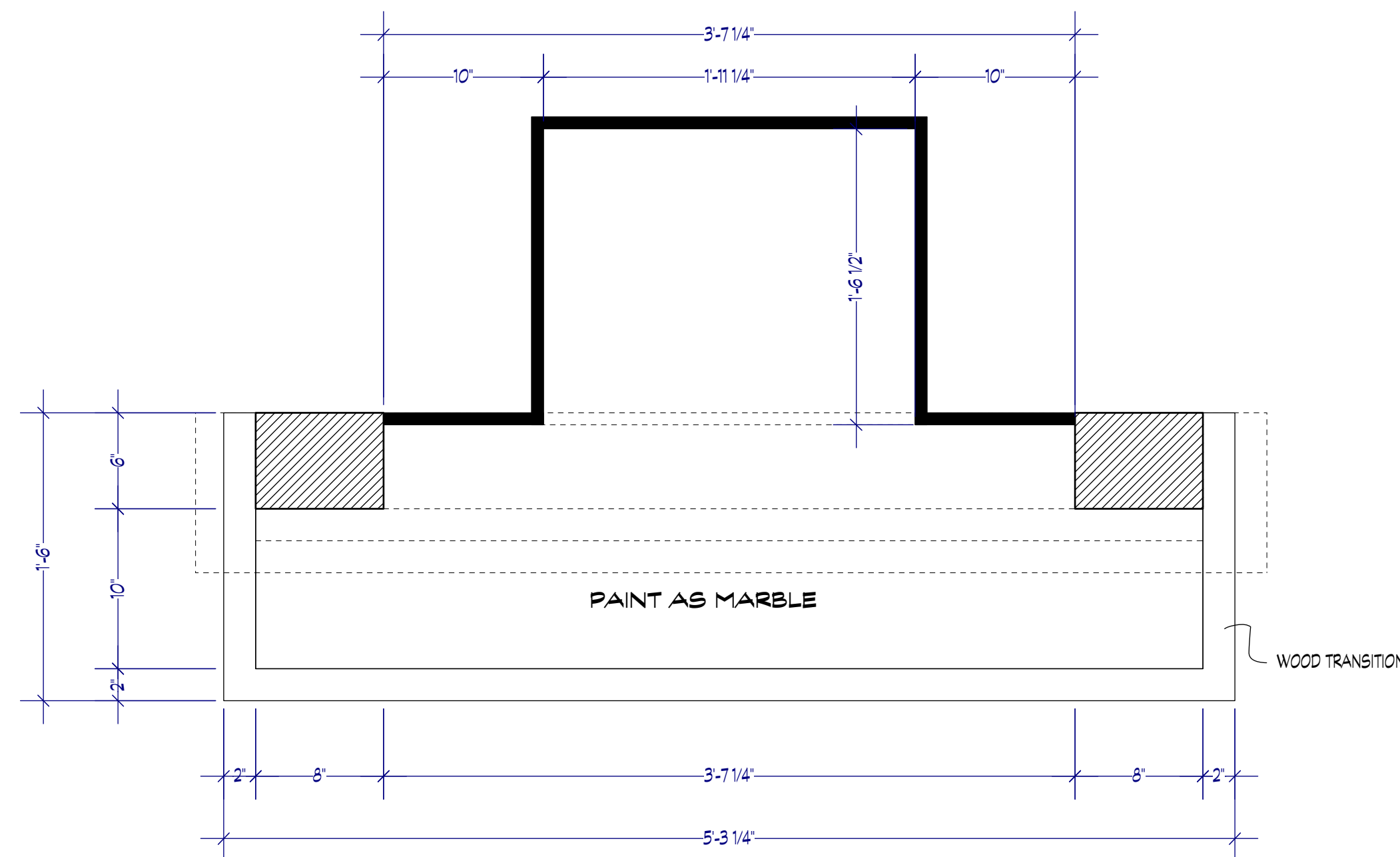
**5 BEAM DETAIL**  
Scale: Actual Size



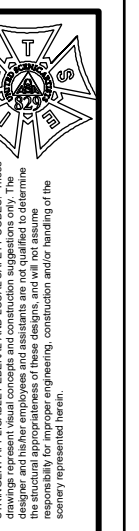
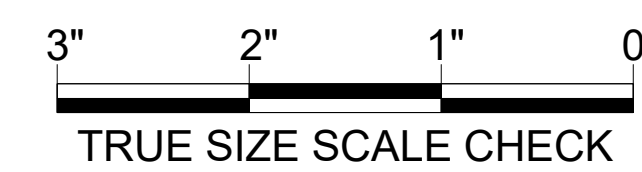
**FIREPLACE FRONT DETAIL**  
Scale: 1 1/2" = 1'-0"



**FIREPLACE CENTER SECTION DETAIL**  
Scale: 1 1/2" = 1'-0"



**FIREPLACE PLAN DETAIL**  
Scale: 1 1/2" = 1'-0"



DRAWING DATE:  
12-12-15  
REVISIONS:

EPISODE:  
AMORT  
SCALE:  
1/2"=1'-0"

SET NO. & DESCRIPTION:  
101 AMORT INT. FARMHOUSE  
LOCATION:  
STAGE 24, BROADWAY STAGES

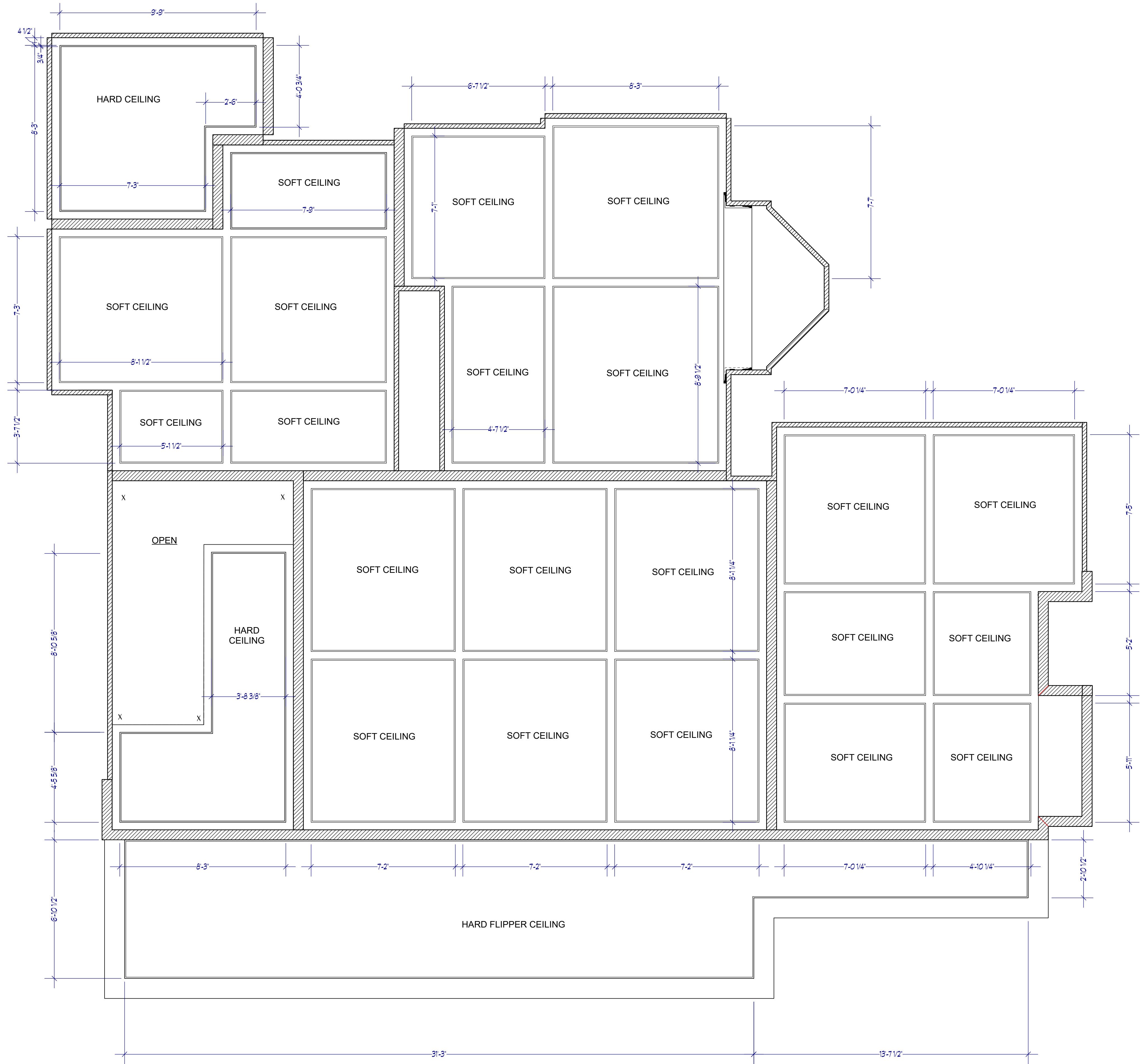
PRODUCTION DESIGNER: JONATHAN A. CARLSON  
ART DIRECTOR: RICK DENNIS  
DRAWING BY: MDF

**FARM HOUSE**

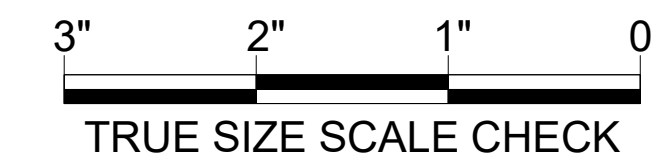
**sneaky pefe**

EP NO.  
AMRT  
SET NO.  
101  
DWG NO.  
10  
of 11

RELEASED 1/12/2016



**REFLECTED CEILING VIEW**  
Scale: 3/8" = 1'-0"



**NOTE SCALE IS 3/8"=1'-0"**

**RELEASED 1/12/2016**

**sneaky pete**

**FARM HOUSE**

PRODUCTION DESIGNER: JONATHAN A. CARLSON  
ART DIRECTOR: Rick Dennis  
DRAWING BY: MDF

SET NO. & DESCRIPTION:  
101 AMORT. INT. FARMHOUSE  
LOCATION:  
STAGE 24, BROADWAY STAGES

EPISODE:  
AMORT  
SCALE:  
3/8"=1'-0"

DRAWING DATE:  
12-12-15  
REVISIONS:  
1

EP NO.  
AMRT  
SET NO.  
101  
DWG NO.  
11  
of 11