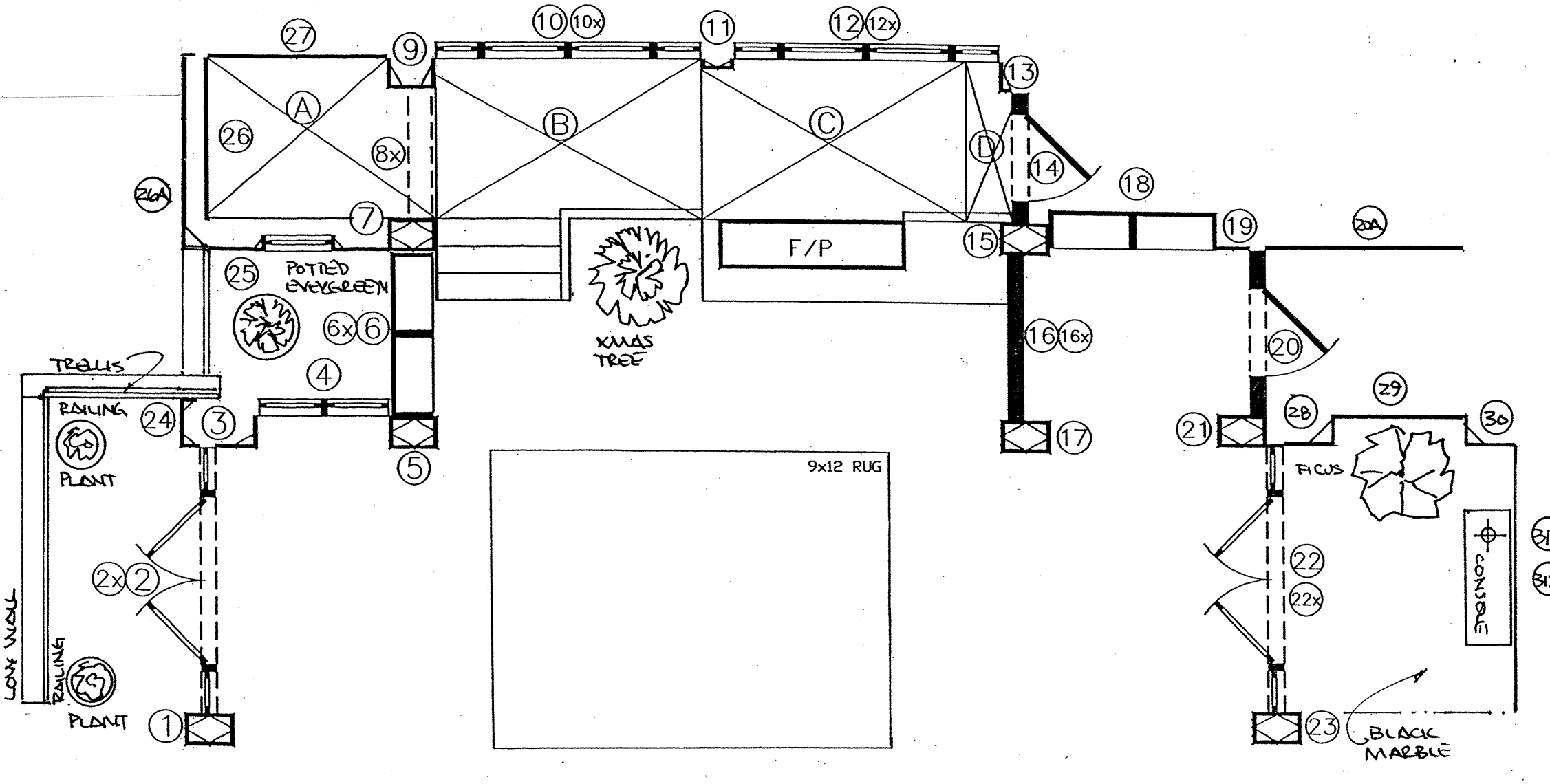
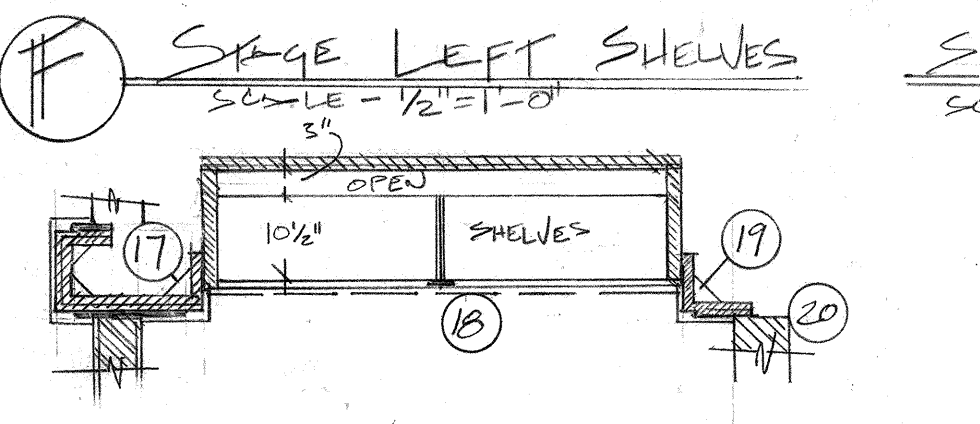
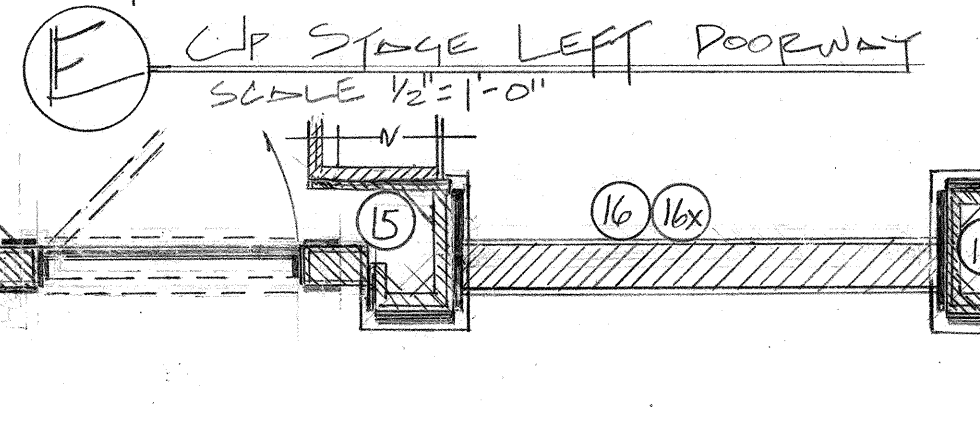


**D1 PILASTER DETAIL**  
SCALE 1/2"=1'-0"  
TYPICAL PILASTER DETAIL



**RYAN'S PENTHOUSE**

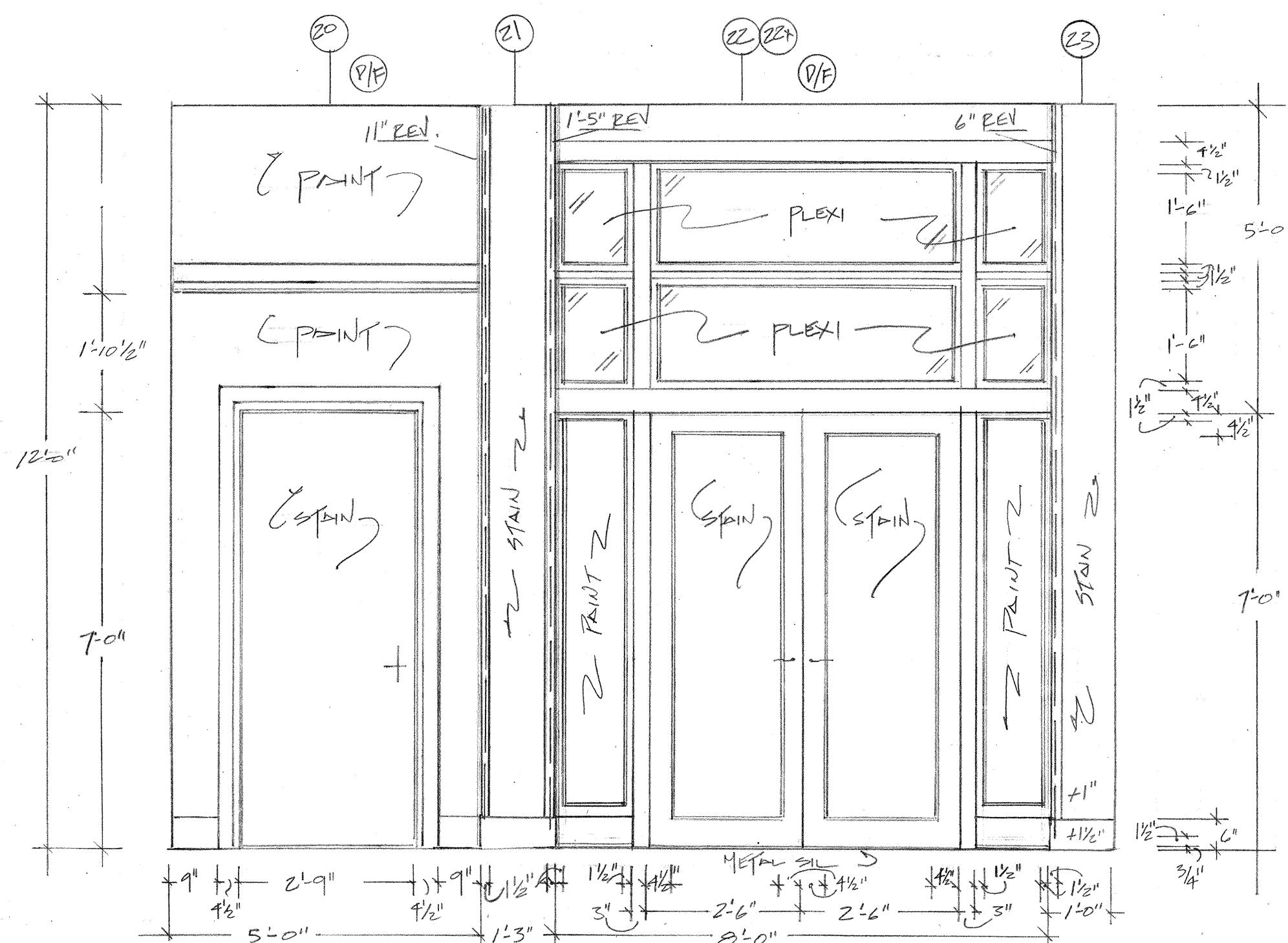


SECTION  
SCALE 1/2"  
@ 3/9/07  
Ryan's Penthouse Hardware  
Georgian Knob 5020-030  
2-Dummy Sets  
2-Lock Sets  
2-Passage Sets  
Slide Bolt 0322102  
4 Slide Bolts

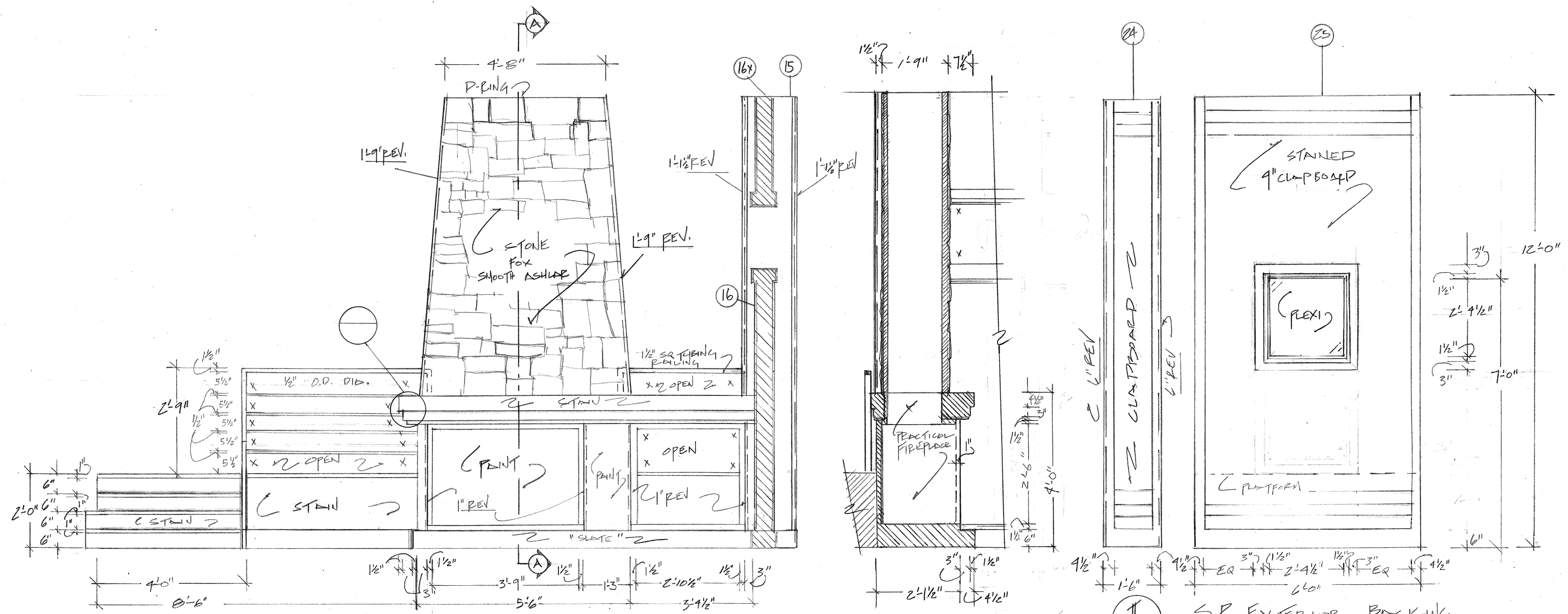
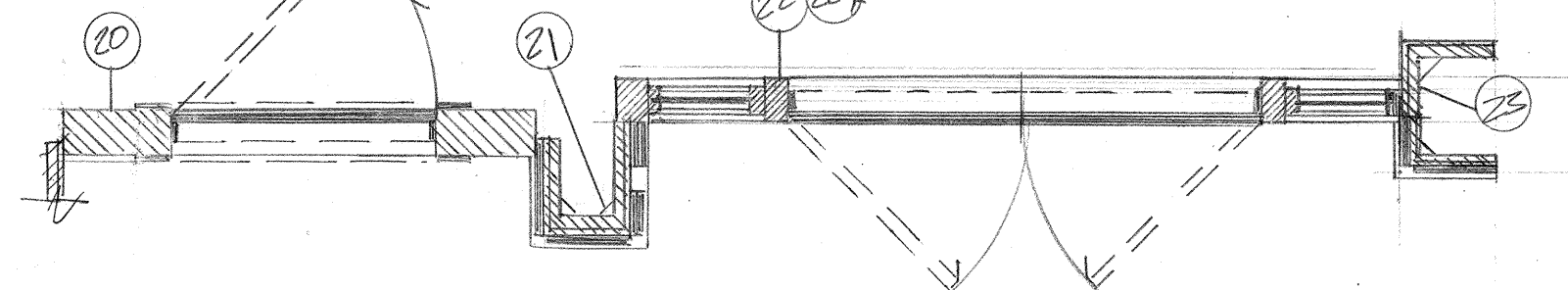
WALLPAPER REFERENCE:  
SCHUMACHER #527073 "FLAMEN STRIPE IVY"  
REVISED 10/20/03

UNION STAMP	AMERICAN BROADCASTING COMPANIES <b>abc</b>		DRAWING NO.
	PROD.: <i>DL MY CHILDREN</i>	STUDIO TV <i>23</i>	
	SET: <b>Ryan's Penthouse</b>		
	SCALE: 1/2"=1'-0"	DEL. DATE: 11/13/03	
	DRAWN: 8/18/03	PROD. DATE: 11/14/03	OF 1
	DESIGNER: <i>P. MAONEY</i>	DRAFTSMAN: <i>M. FRISER</i>	





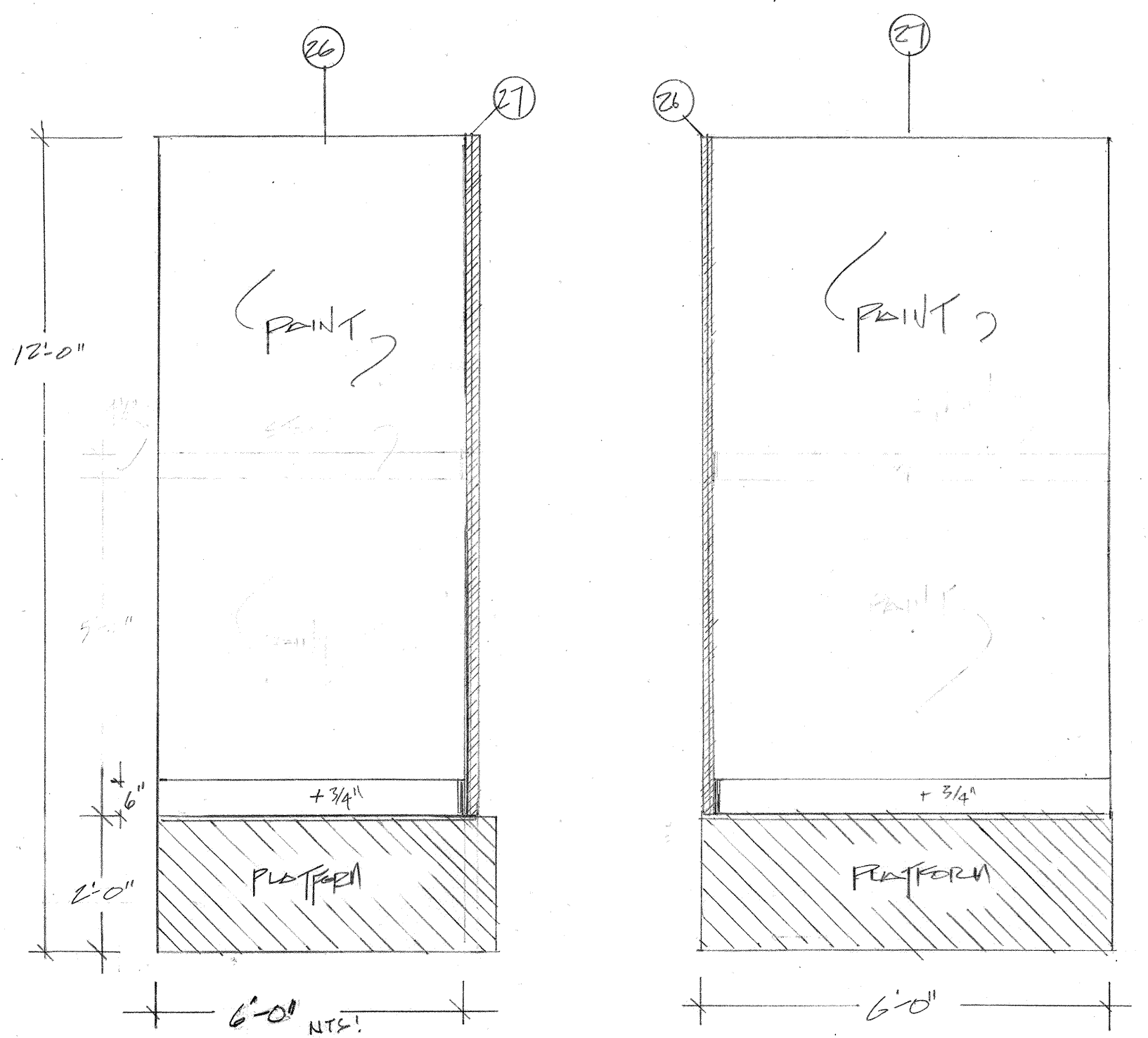
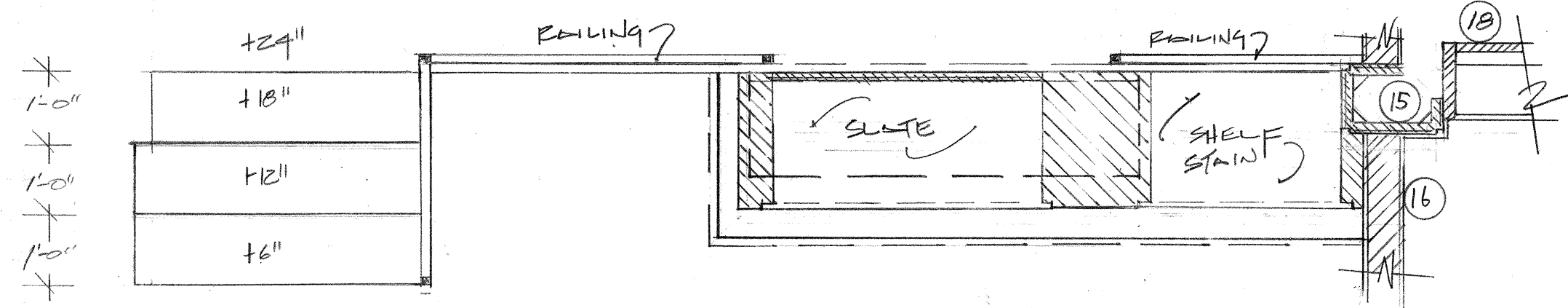
41. STAGE LEFT DOOR  
SCALE 1/2" = 1'-0"



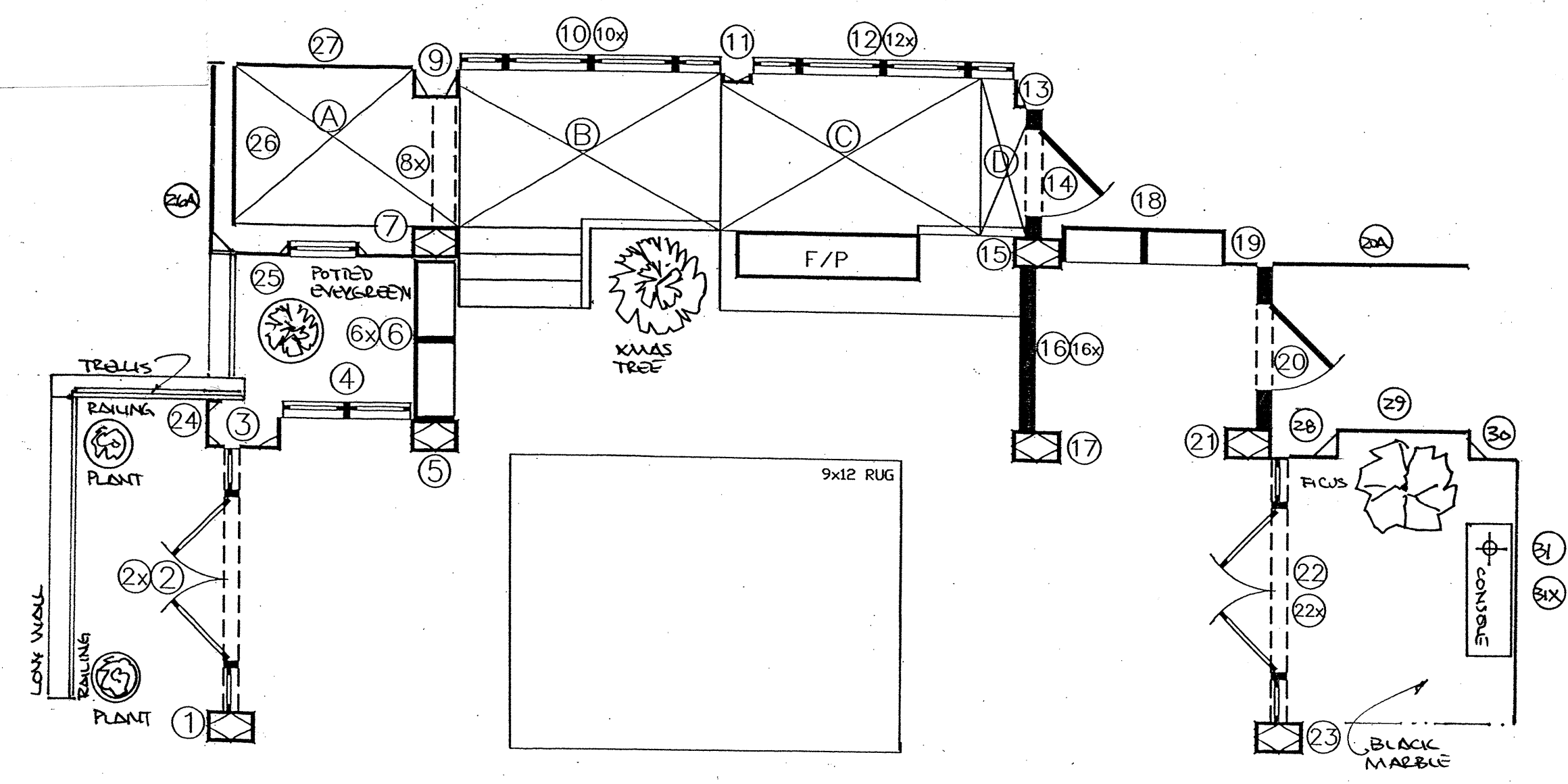
H. FIREPLACE & RAILING  
SCALE 1/2" = 1'-0"

A.A. SECTION A-A  
SCALE 1/2" = 1'-0"

I. SR EXTERIOR BACKING  
SCALE 1/2" = 1'-0"

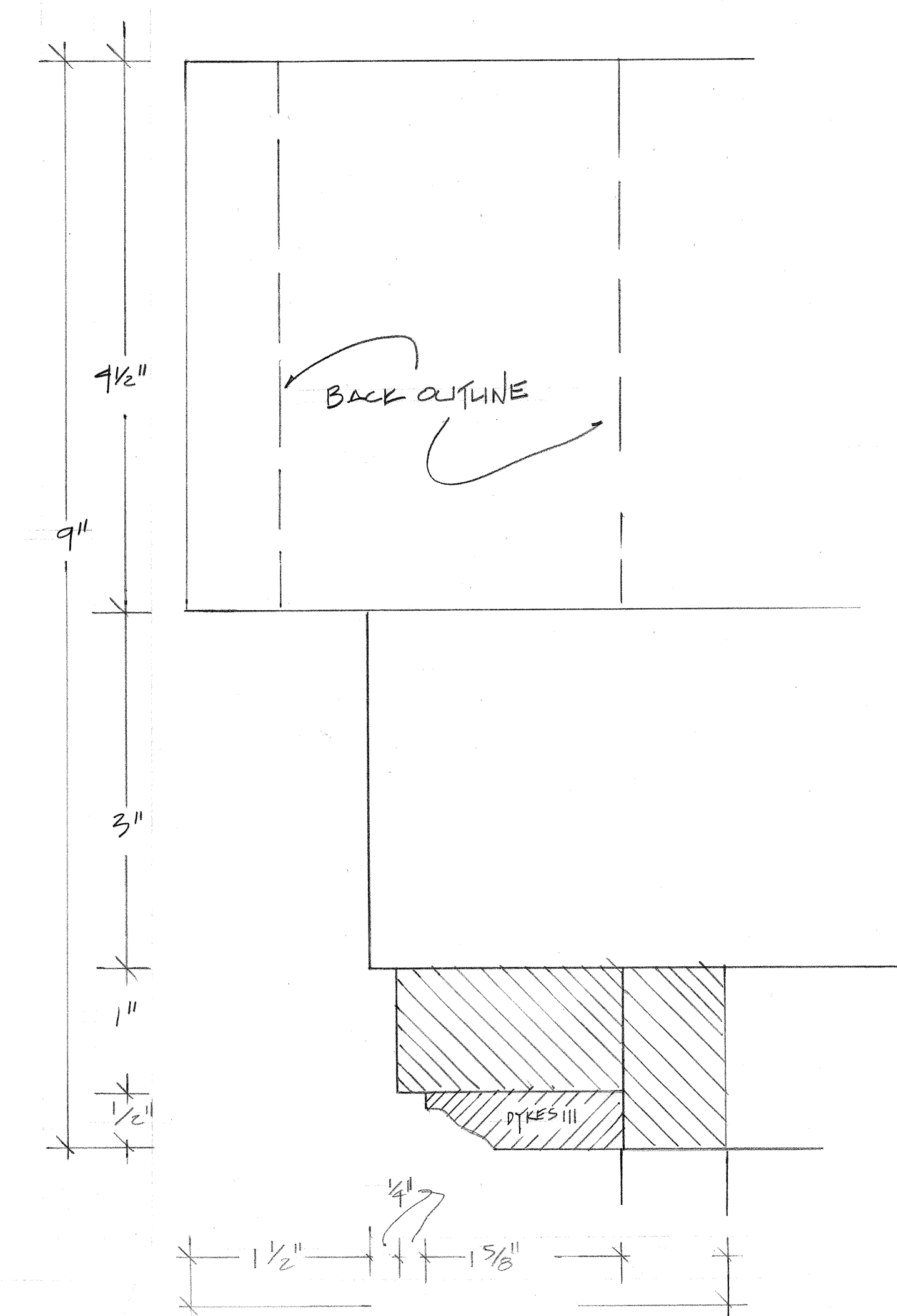
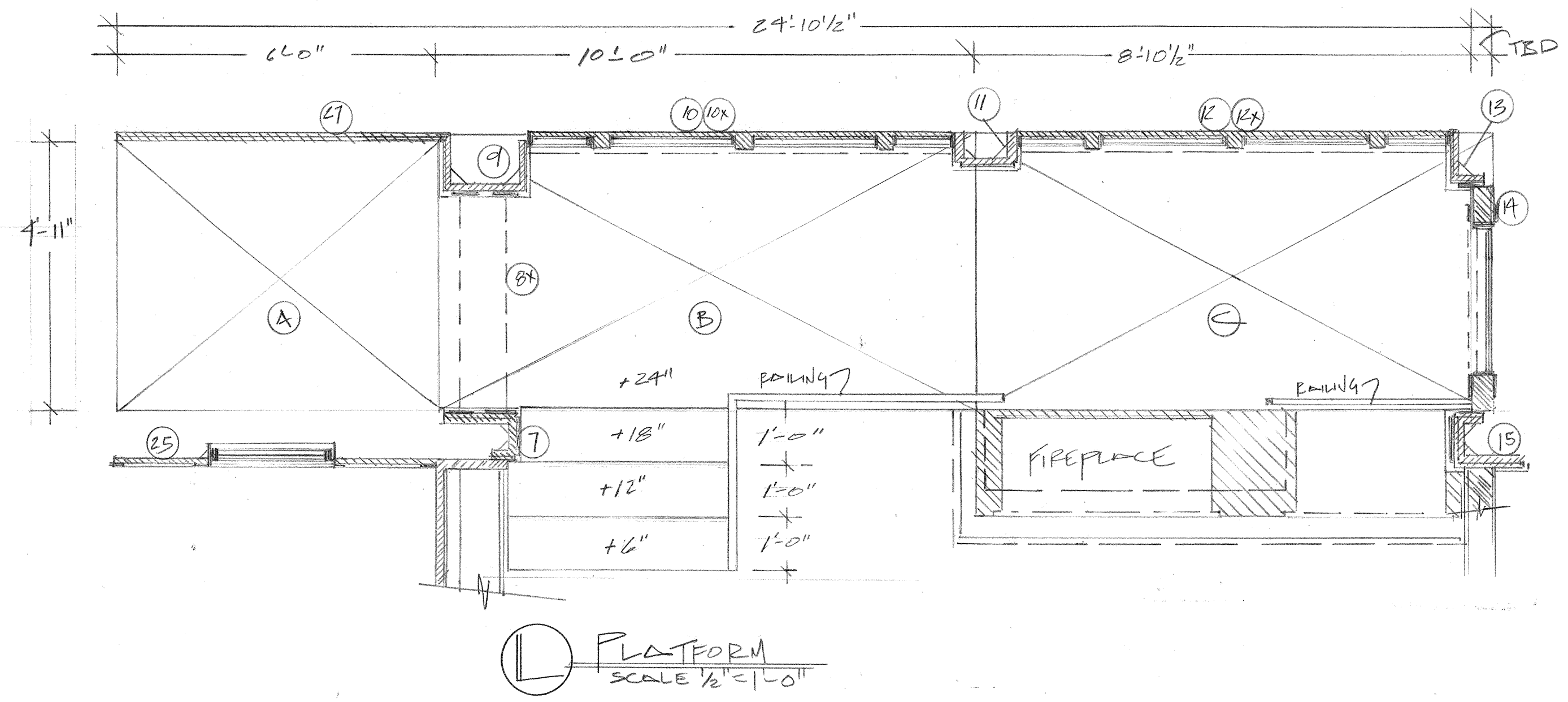


J. SR Backing

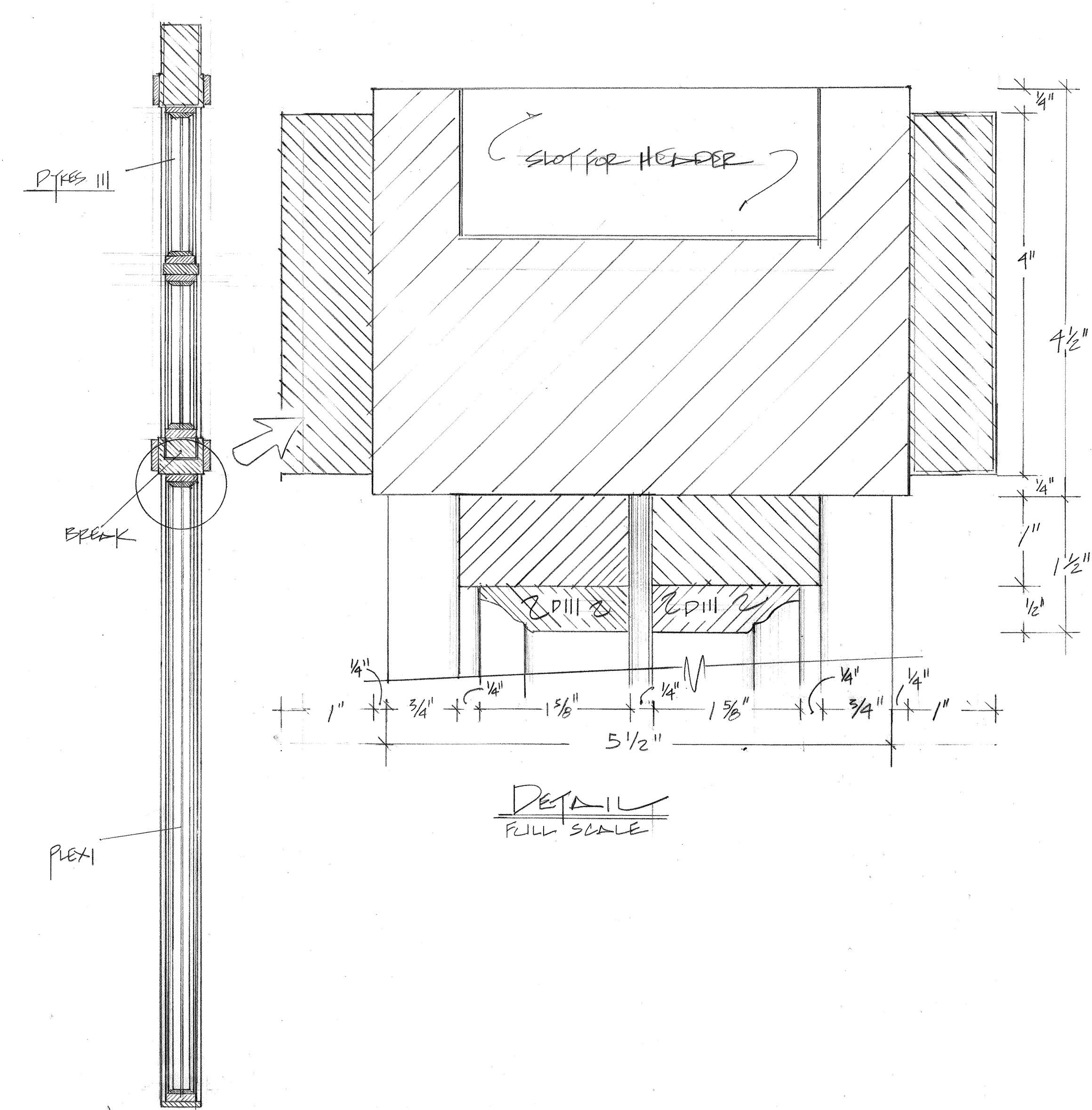
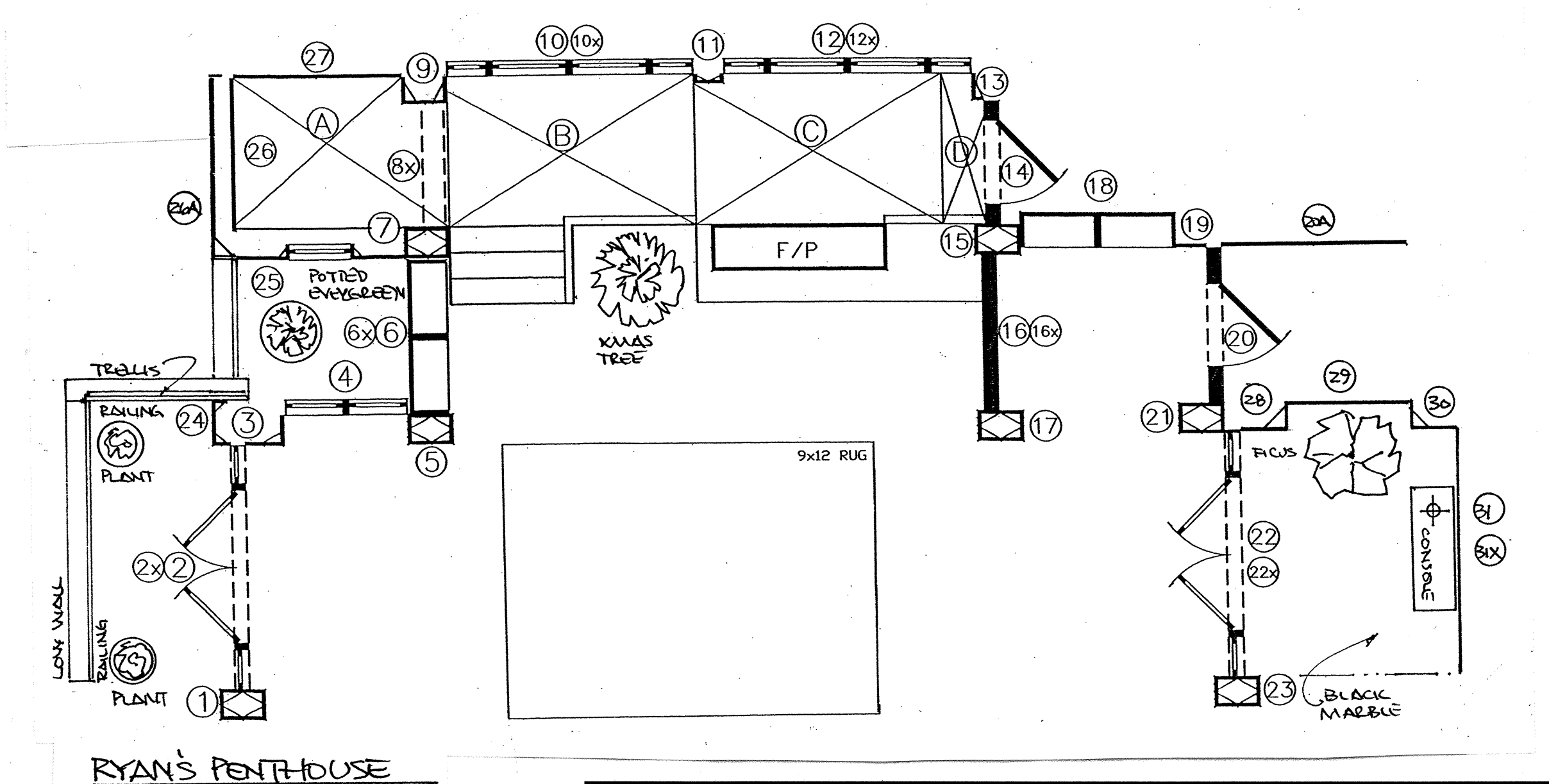


RYAN'S PENTHOUSE

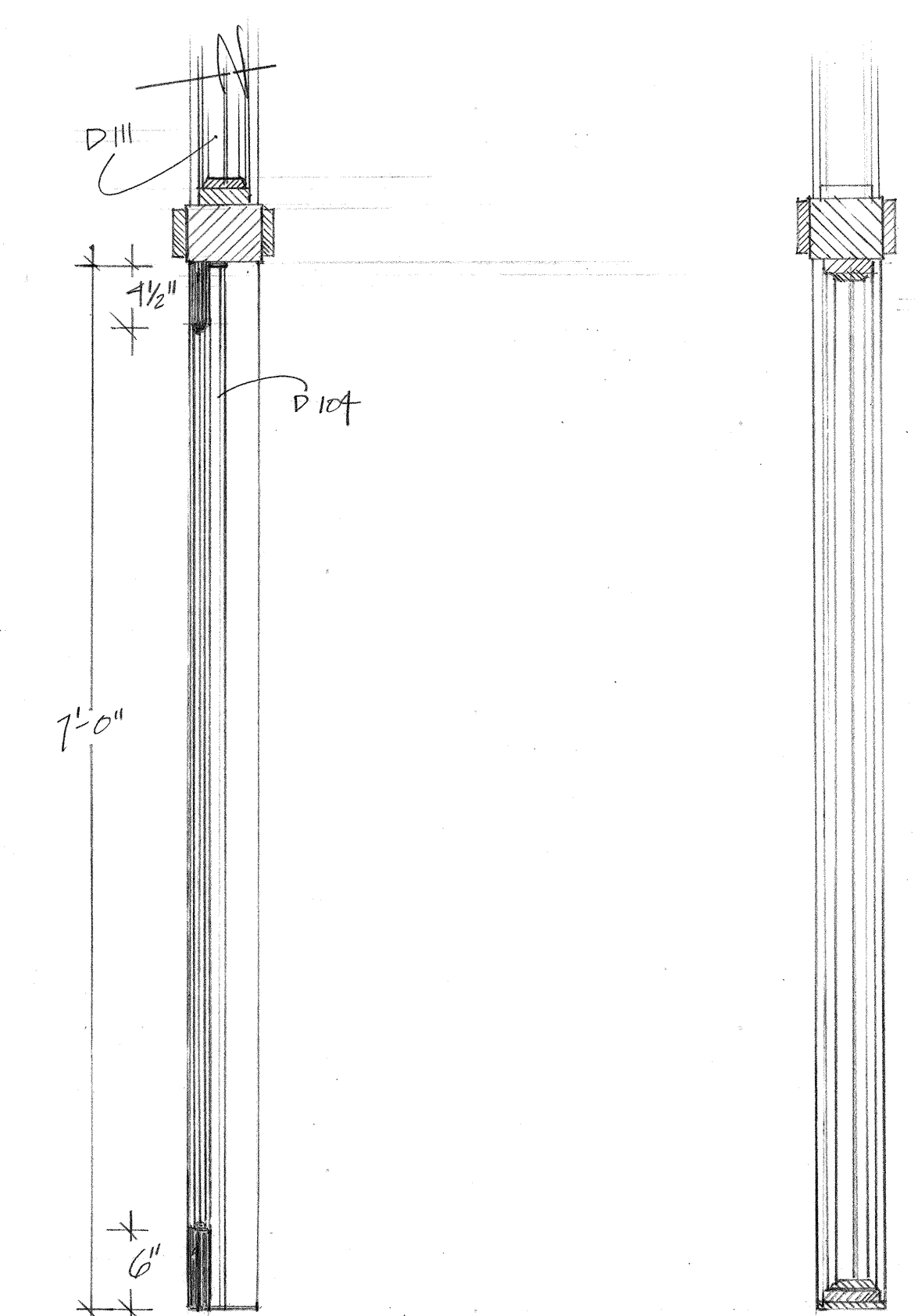
<p>S.D. 1104 SCENIC DESIGNER E. HOOLEY</p>	<b>AMERICAN BROADCASTING COMPANIES</b>		DRAWING NO.
	PROD.: <i>Du My Children</i>	STUDIO TV	<p>OF 4</p>
	SET: <b>Ryan's Penthouse</b>		
	SCALE: 1/2" = 1'-0"	DEL. DATE: 11/13/03	
	DRAWN: 8-8-03	PROD. DATE: 11/14/03	
DESIGNER: E. HOOLEY		DRAFTSMAN: <i>V. FALCIP</i>	



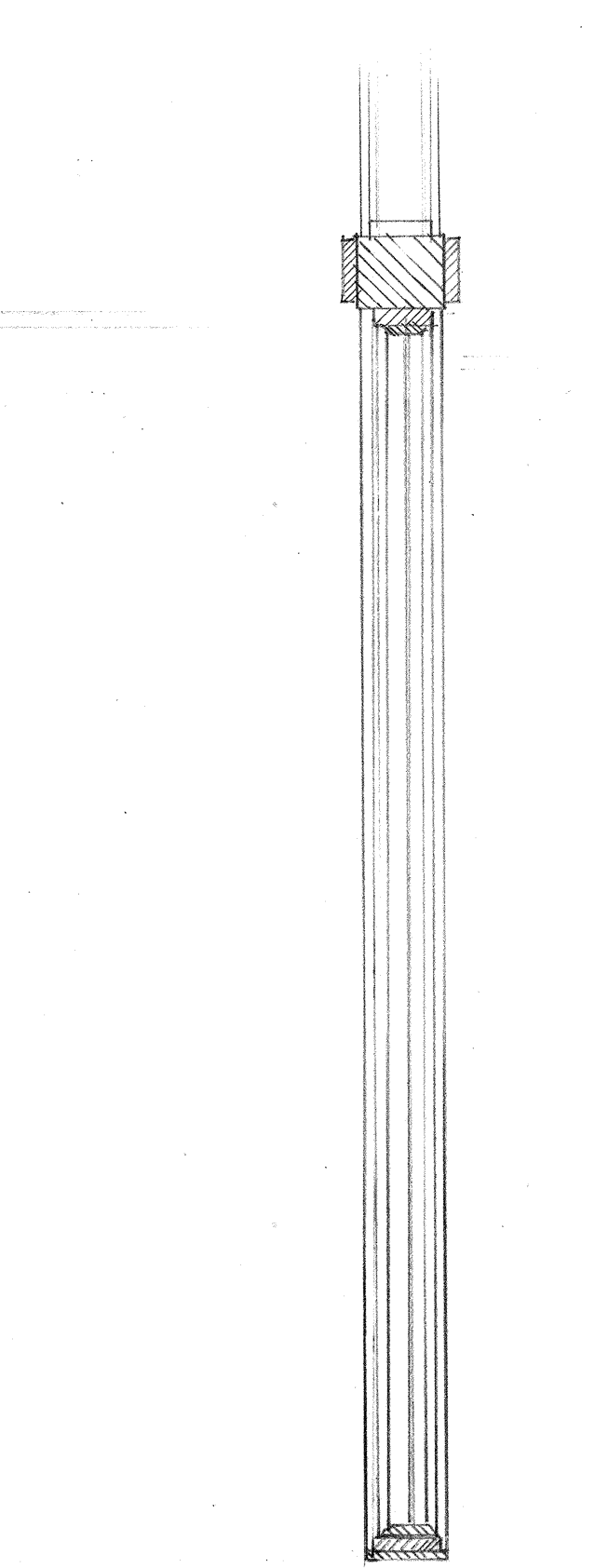
D2 FIRE PLACE DETAIL  
FULL SCALE



D3 WINDOW SECTION  
SCALE: 1" = 1'-0"



D4 DOOR SECTION  
SCALE: 1" = 1'-0"



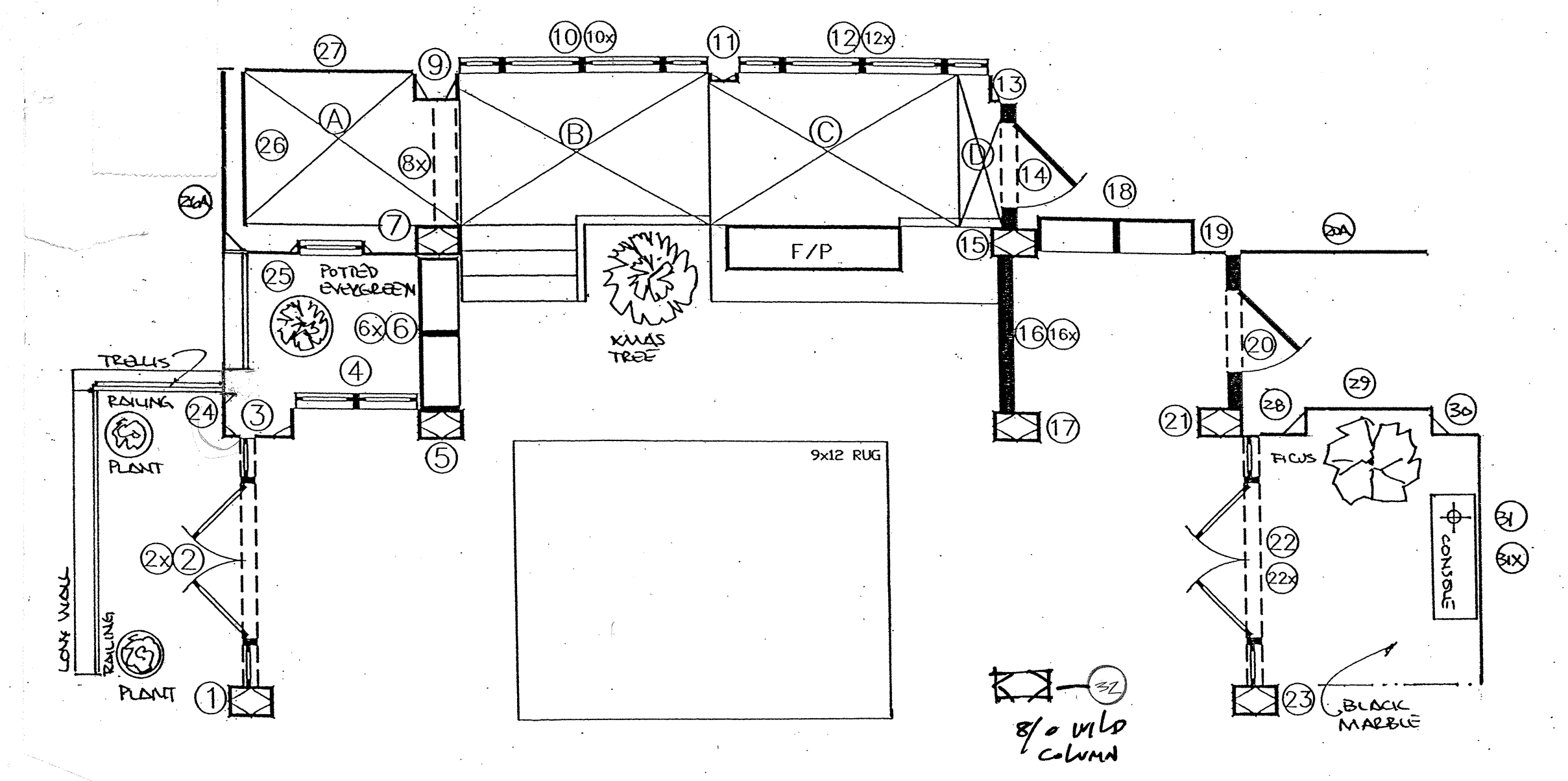
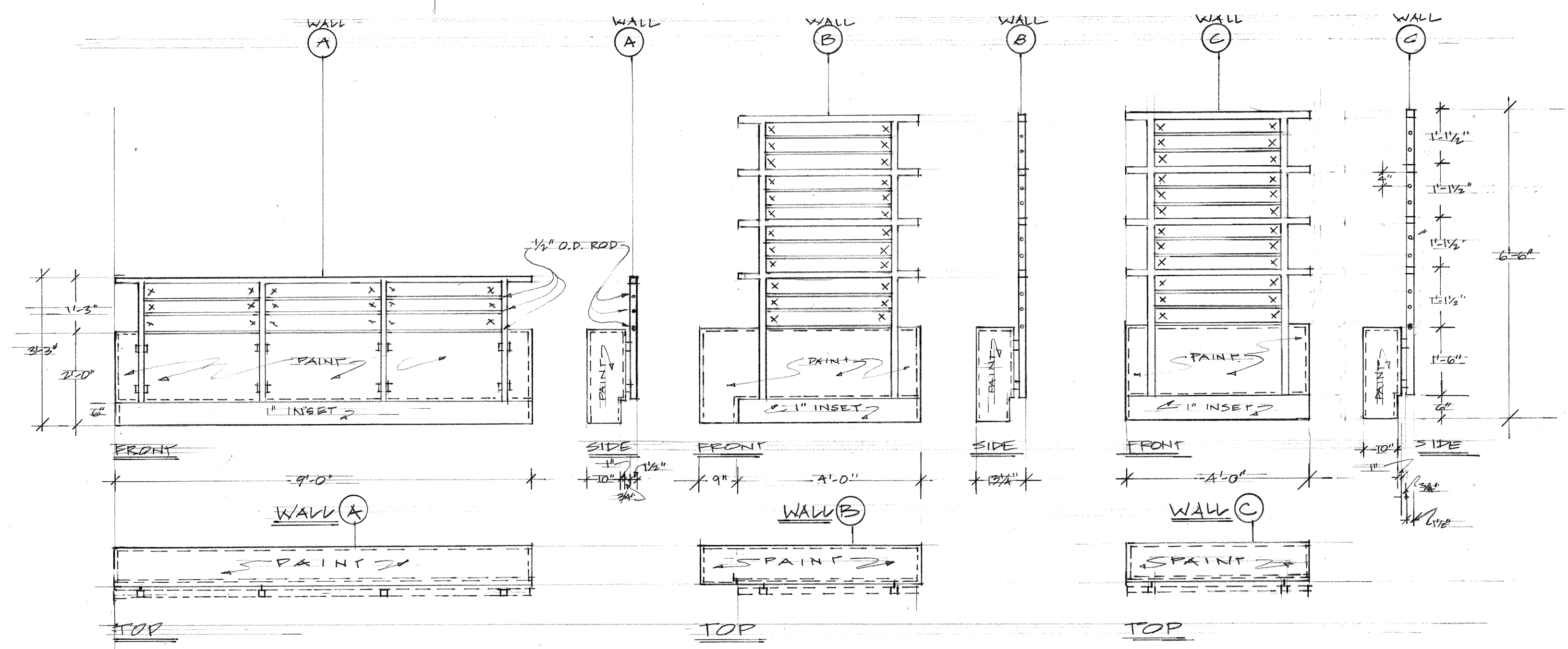
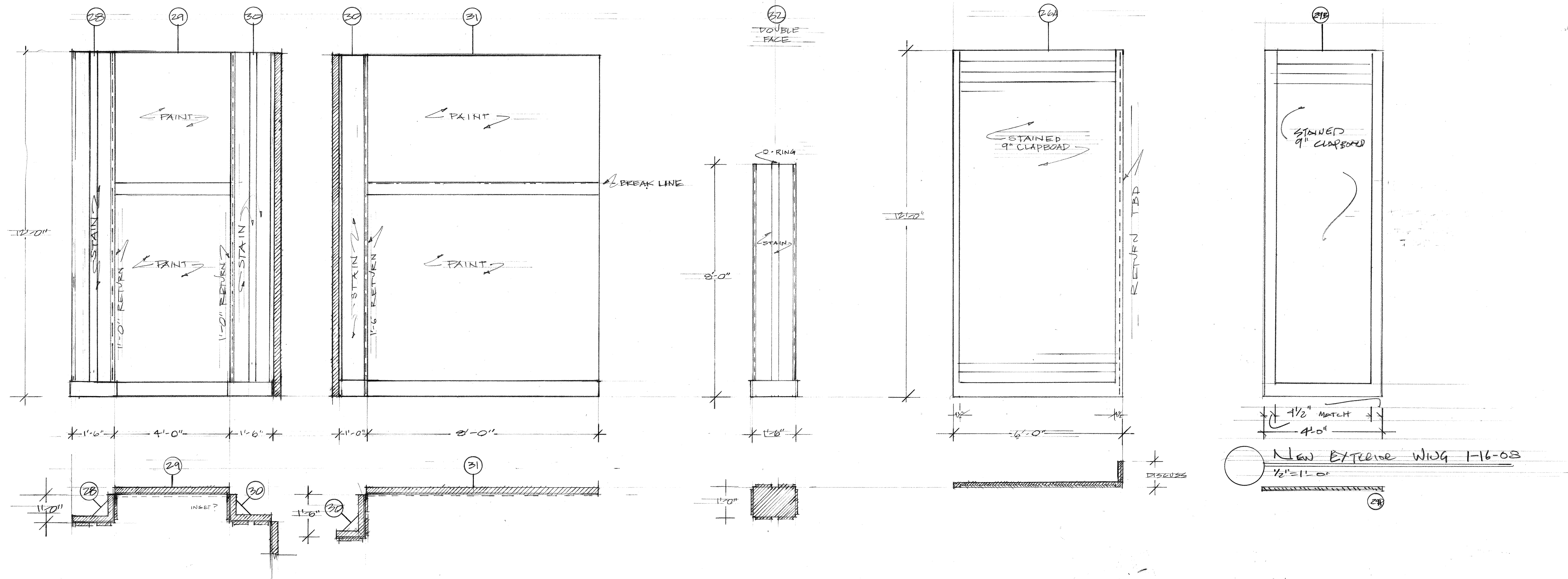
D5 WALL SECTION  
SCALE: 1" = 1'-0"

REVISED  
10-28-03

S13 309-4591

UNION STAMP  S.D. 1104 SCENIC DESIGNER M.D.L.	AMERICAN BROADCASTING COMPANIES <b>abc</b>		DRAWING NO.	
	PROD: ALL MY CHILDREN		STUDIO 23	
	SET: Ryan's Penthouse			
	SCALE: NOTED	DEL. DATE: 11/13/02		
	DRAWN:	PROD. DATE: 11/14/03		
DATE:	DESIGNER: P. MOWEY		DRAFTSMAN: V. F. HEER	





RYAN'S PENTHOUSE

<p>S.D. 2298 SCENIC DESIGNER SIGNATURE: <i>Chastain</i></p>	<b>AMERICAN BROADCASTING COMPANIES</b>		DRAWING NO.
	PROD.: <b>ALL MY CHILDREN</b>	STUDIO TV <b>23</b>	REVISIONS <b>4</b>
	SET: <b>"RYAN'S PENTHOUSE"</b>		OF <b>1</b>
	SCALE: 1/2" = 1'-0" DRAWN: <b>10/29/03</b> DATE:	DEL. DATE: <b>11/13/03</b> PROD. DATE: <b>11/14/03</b>	
	DESIGNER: <b>R. MOONEY</b>		DRAFTSMAN: <b>445 PLUMMER</b>