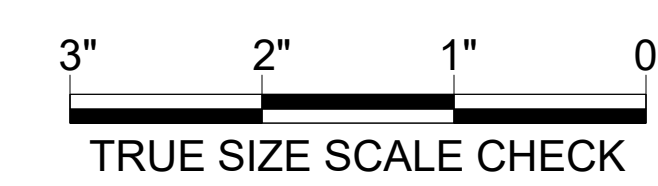


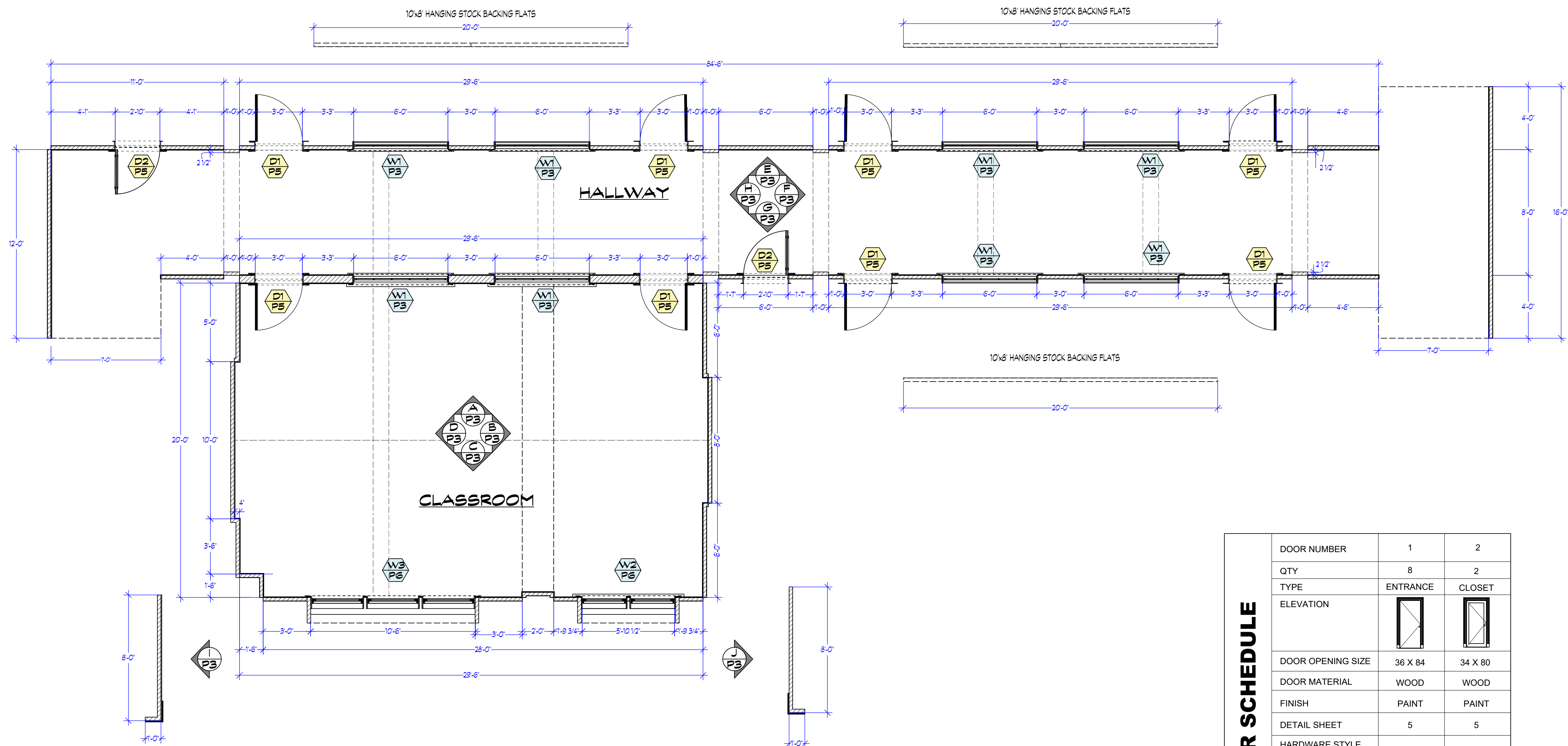
SONG YI SCHOOL SPOTTING PLAN STAGE 1
 Scale: 1/4" = 1'-0"



REVISED 09/06/2017

| | | | |
|---------------------------------|---------------------|-----------|--|
| SET: 112/ 113 SONG YI CLASSROOM | | SHEET NO. | |
| SUBJECT: SPOTTING PLAN | | 1 | |
| LOCATION: GLENDALE STAGE 1 | | OF: 8 | |
| PREP: XX.XX.XXXX | SHOOT: 10.09.2017 | | |
| DATE: 8.29.2017 | SCALE: 1/4"=1'-0" | | |
| REVISED: 09.06.2017 | DRAWN BY: MARTIN F. | | |
| PRODUCTION DESIGNER: LI MIAO | | | |
| ART DIRECTOR: PATRICK HOWE | | | |

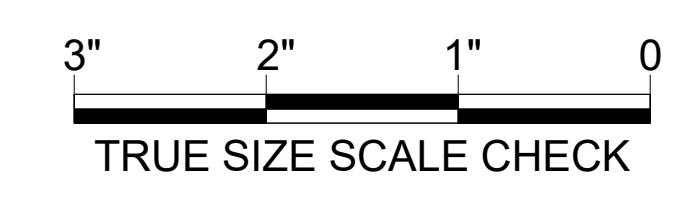
唐人街探案 2
 DETECTIVE CHINATOWN



DOOR SCHEDULE

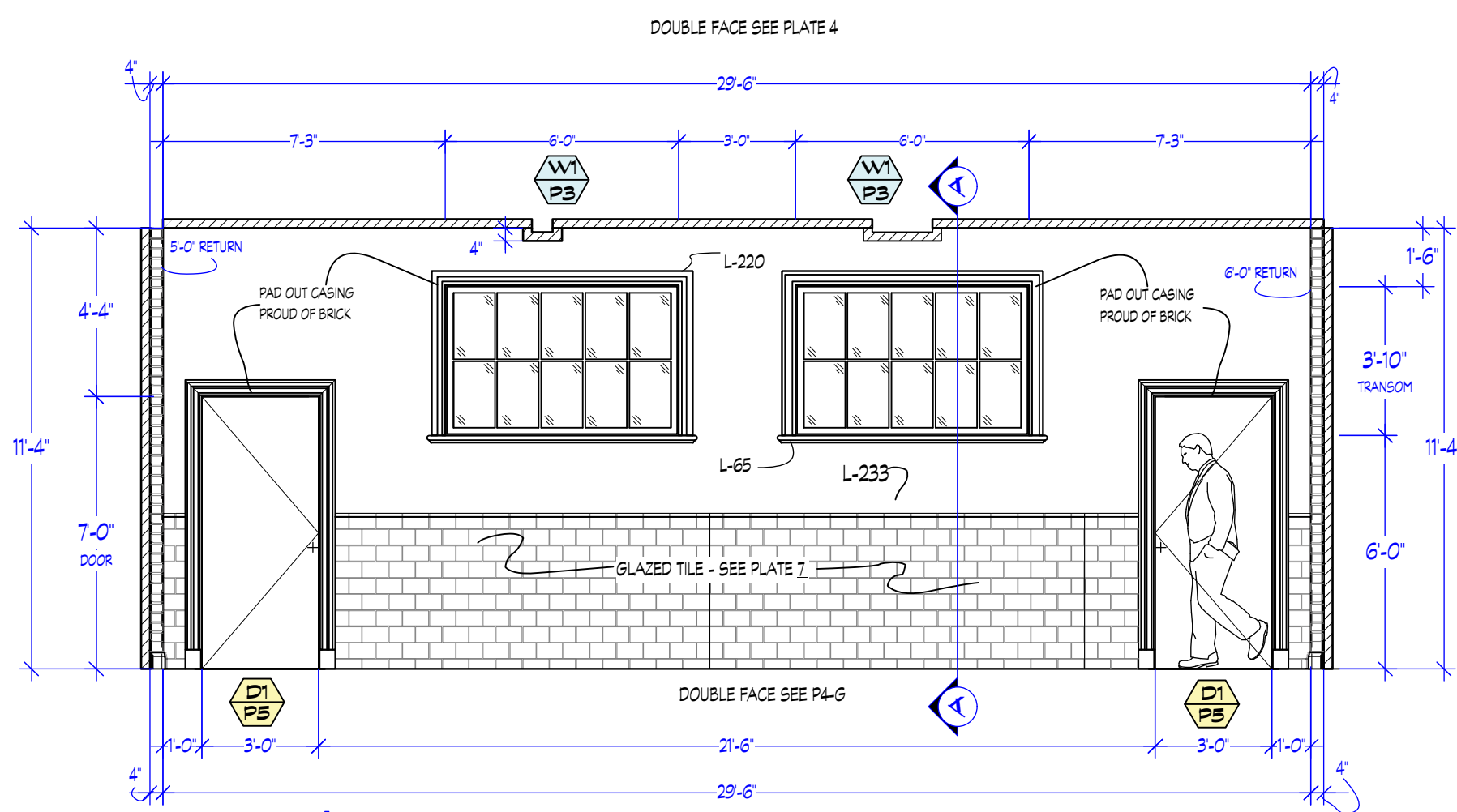
| DOOR NUMBER | 1 | 2 |
|-------------------|-------------|-------------|
| QTY | 8 | 2 |
| TYPE | ENTRANCE | CLOSET |
| ELEVATION | | |
| DOOR OPENING SIZE | 36 X 84 | 34 X 80 |
| DOOR MATERIAL | WOOD | WOOD |
| FINISH | PAINT | PAINT |
| DETAIL SHEET | 5 | 5 |
| HARDWARE STYLE | | |
| ENTRY | X | X |
| ESCUTCHEON PLATE | 16 | 4 |
| LOCK | 8 | 2 |
| KNOBS | | |
| HARDWARE FINISH | PER SET DEC | PER SET DEC |
| HINGE QTY | 3 PER | 3 PER |
| THRESHOLD | | |

SONG YI SCHOOL PLAN STAGE 1
Scale: 1/4" = 1'-0"

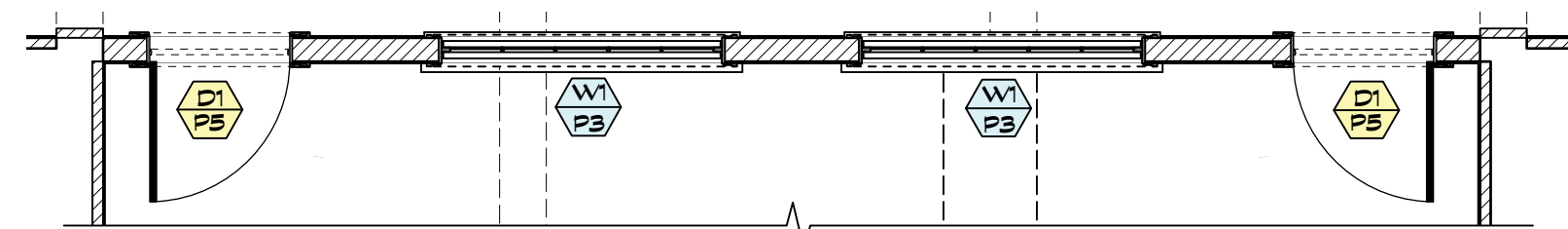


REVISED 09/06/2017

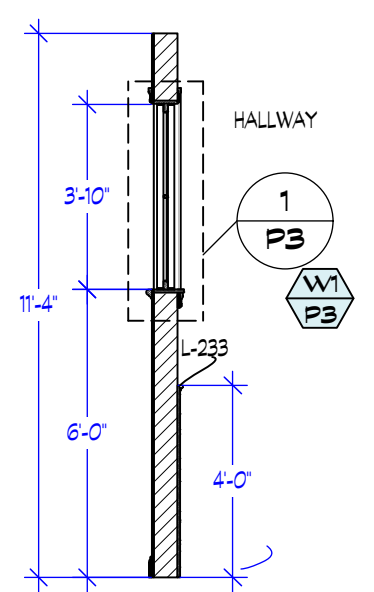
| | | | |
|------------------------------|---------------------------------|---------------------|-----------|
| | SET: 112/ 113 SONG YI CLASSROOM | | |
| | SUBJECT: TECHNICAL PLAN | | |
| | LOCATION: GLENDALE STAGE 1 | | |
| | PREP: XX.XX.XXXX | SHOOT: 10.09.2017 | SHEET NO. |
| PRODUCTION DESIGNER: LI MIAO | DATE: 8.30.2017 | SCALE: 1/4"=1'-0" | 2 |
| ART DIRECTOR: PATRICK HOWE | REVISED: 09.06.2017 | DRAWN BY: MARTIN F. | |



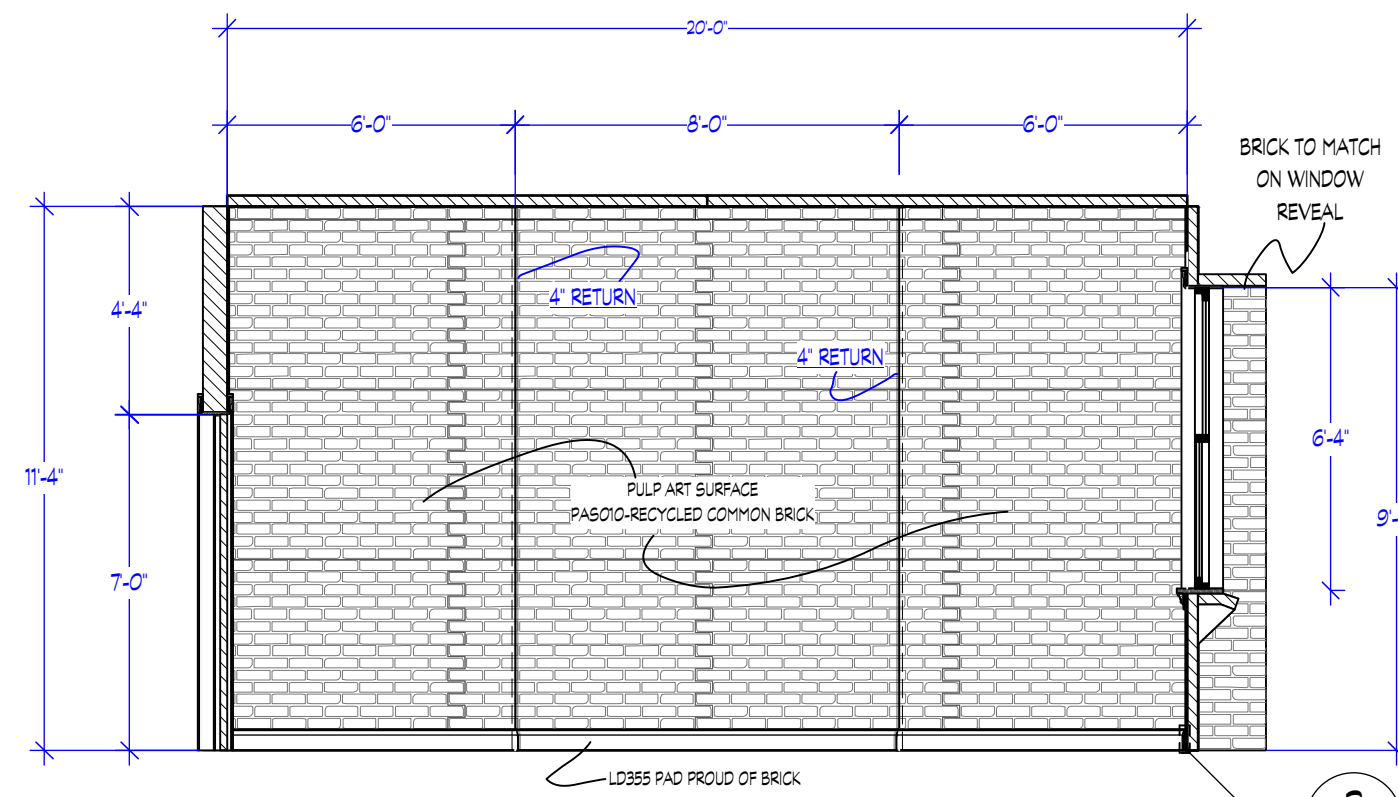
A ENTRANCE WALL WALL ELEVATION
Scale: 1/4" = 1'-0"



ENTRANCE WALL WALL PLAN
Scale: 1/4" = 1'-0"



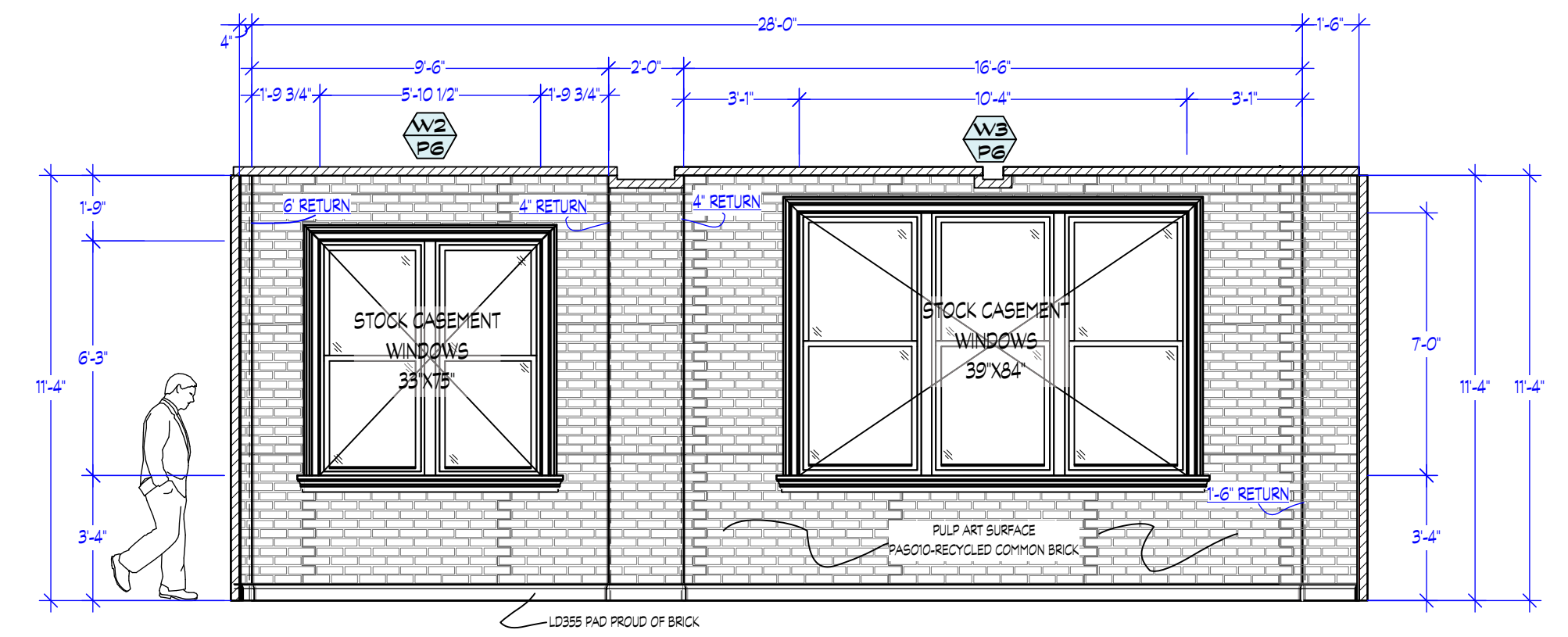
A-A TRANSOM SECTION
Scale: 1/4" = 1'-0"



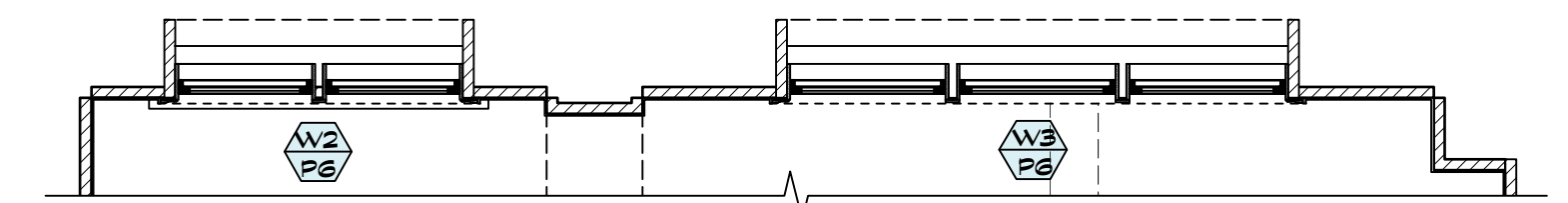
B BACK WALL ELEVATION
Scale: 1/4" = 1'-0"



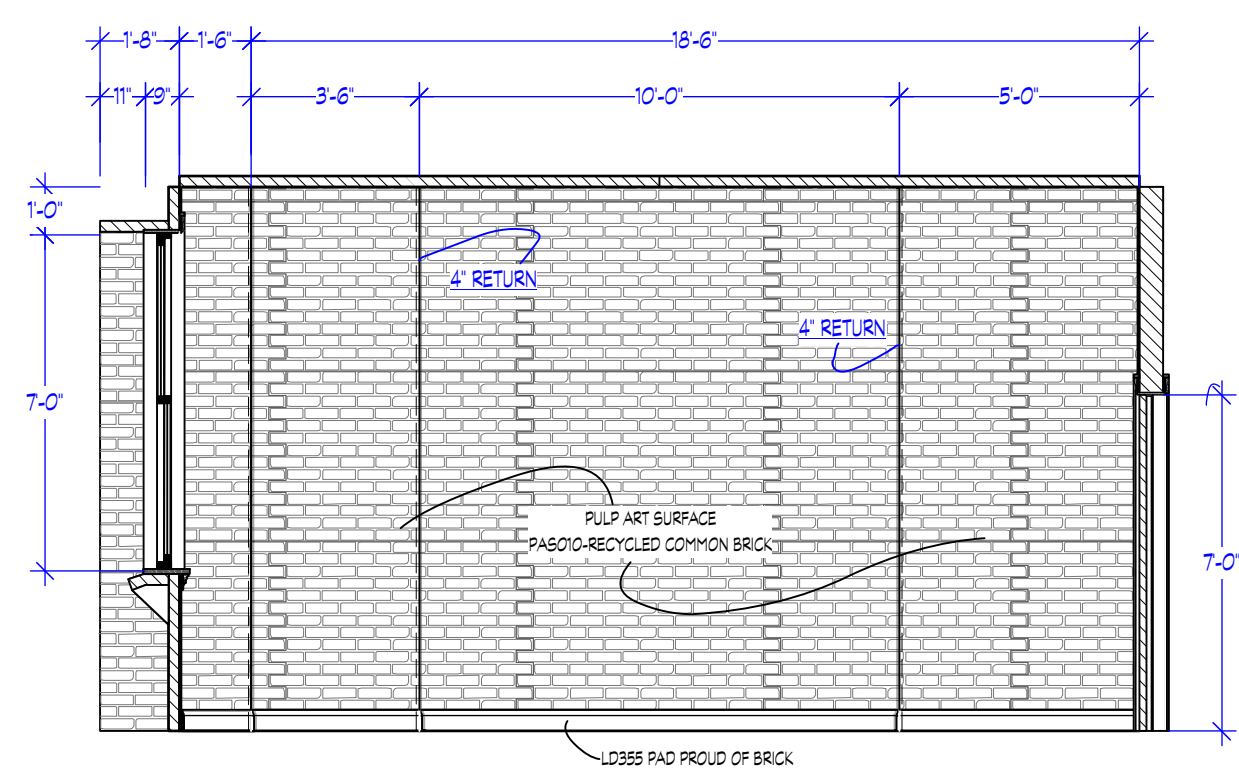
BACK WALL PLAN
Scale: 1/4" = 1'-0"



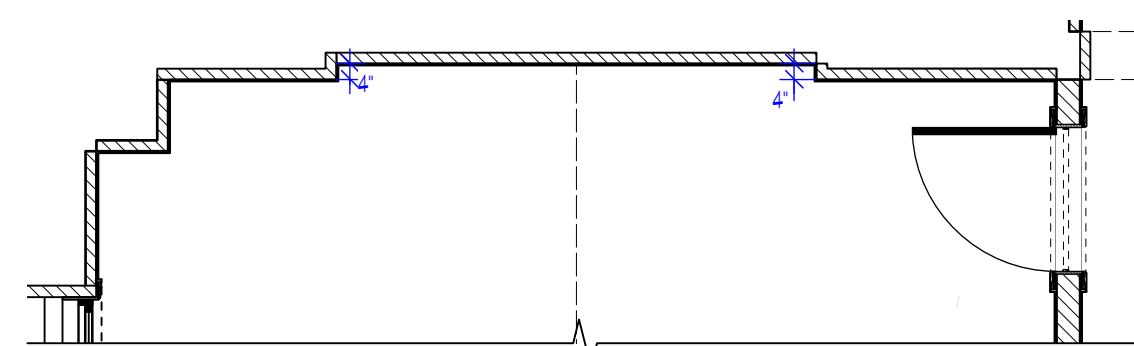
C WINDOW WALL ELEVATION
Scale: 1/4" = 1'-0"



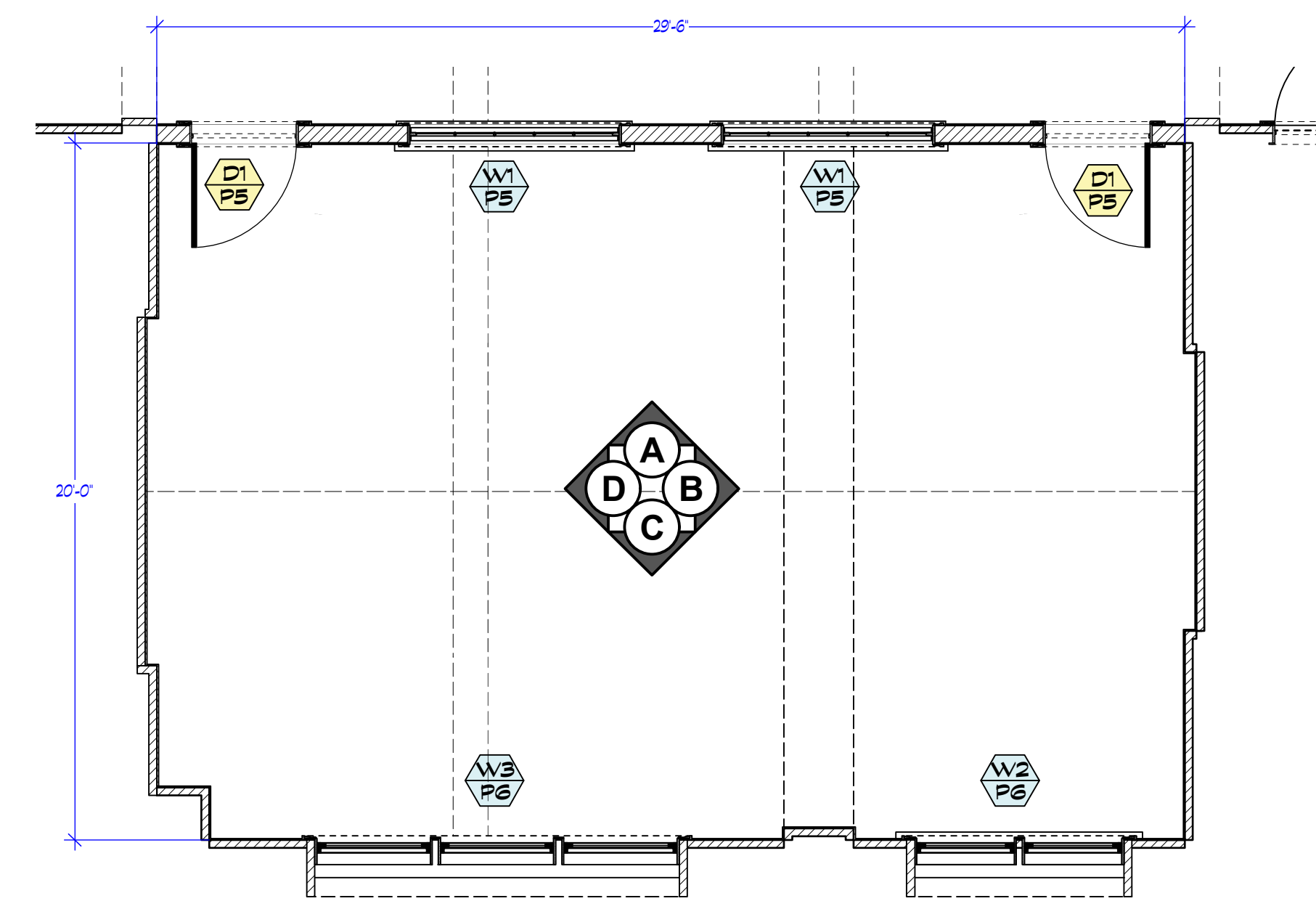
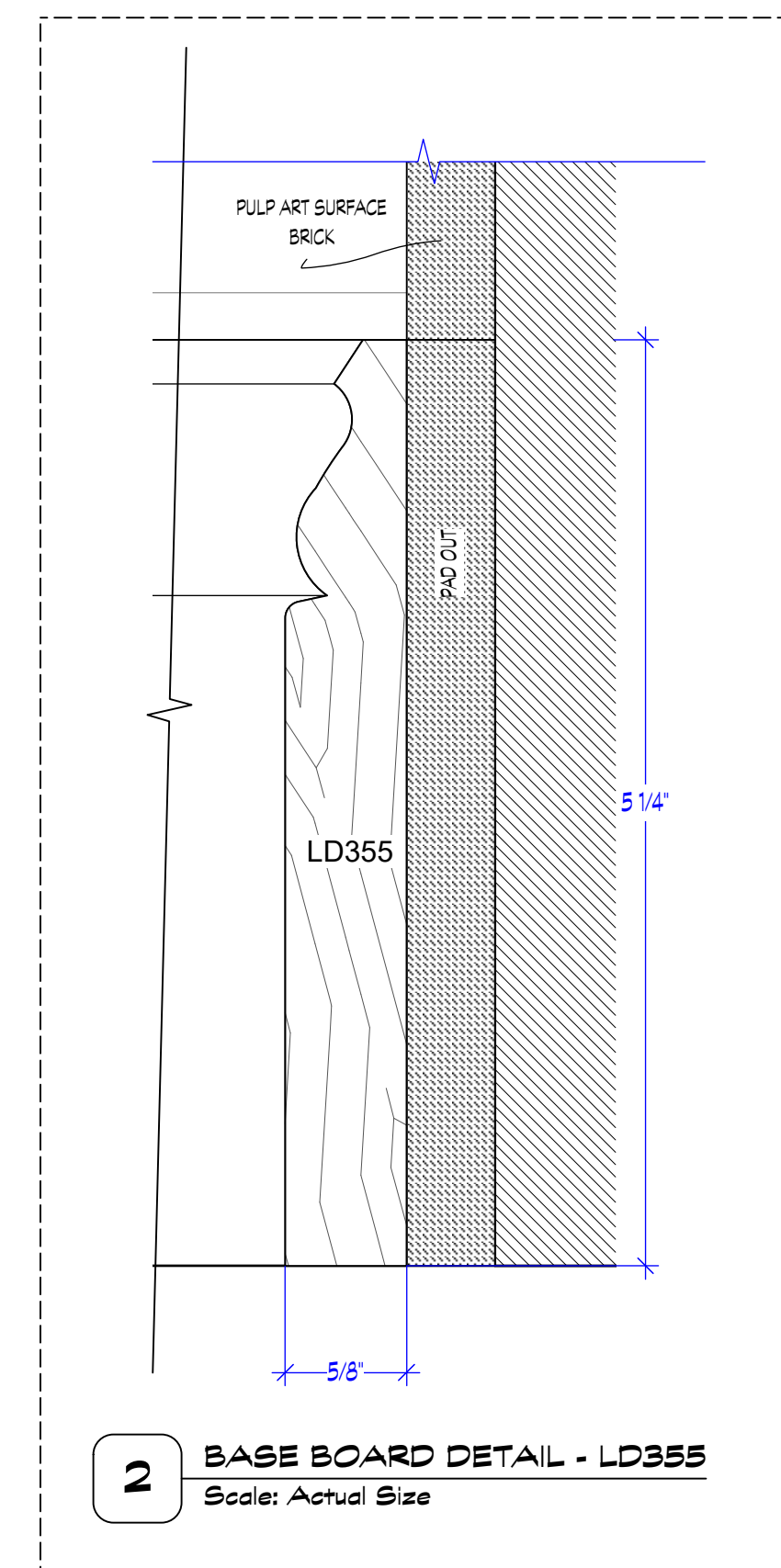
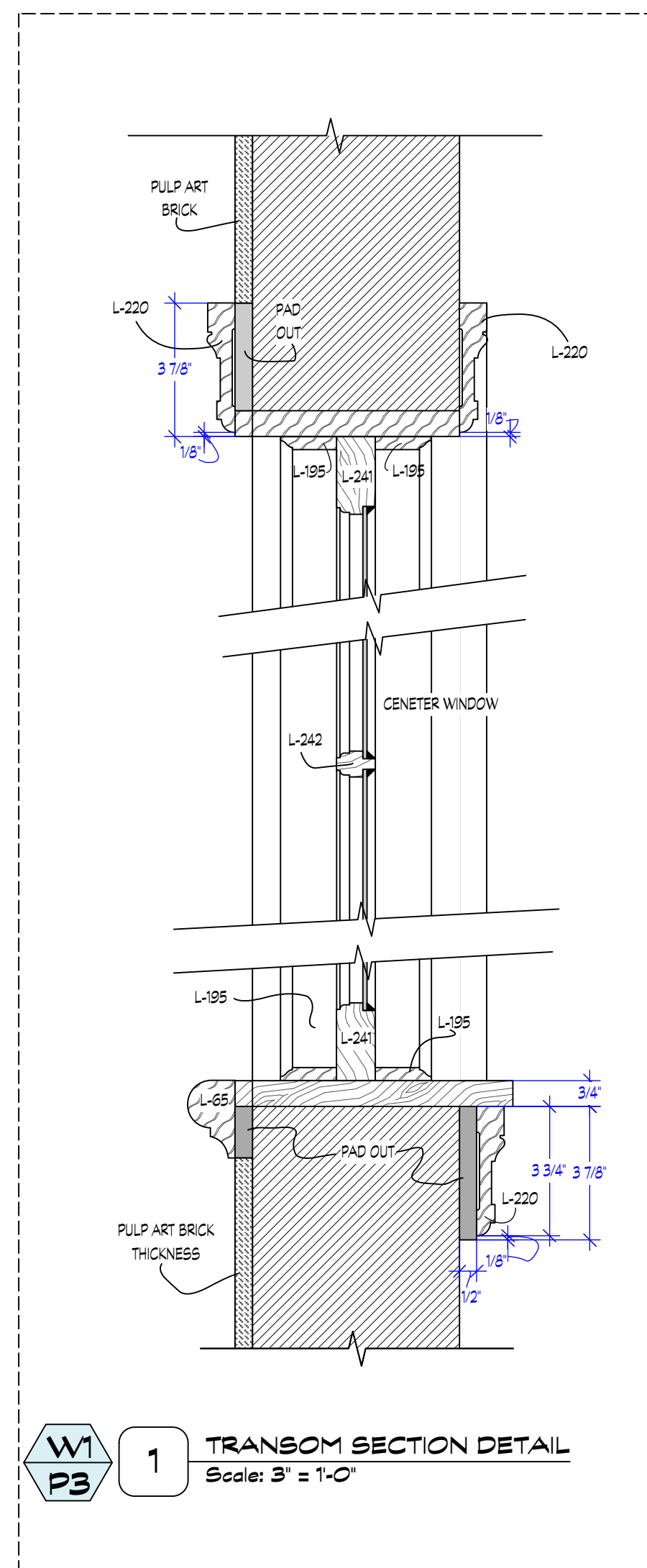
WINDOW WALL PLAN
Scale: 1/4" = 1'-0"



D FRONT WALL ELEVATION
Scale: 1/4" = 1'-0"



FRONT WALL PLAN
Scale: 1/4" = 1'-0"

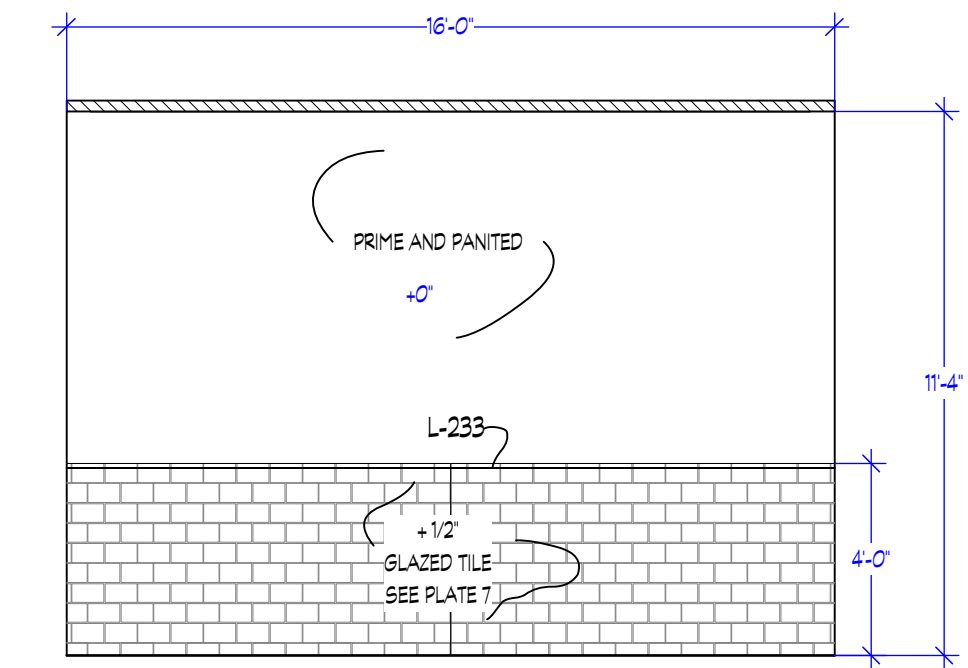
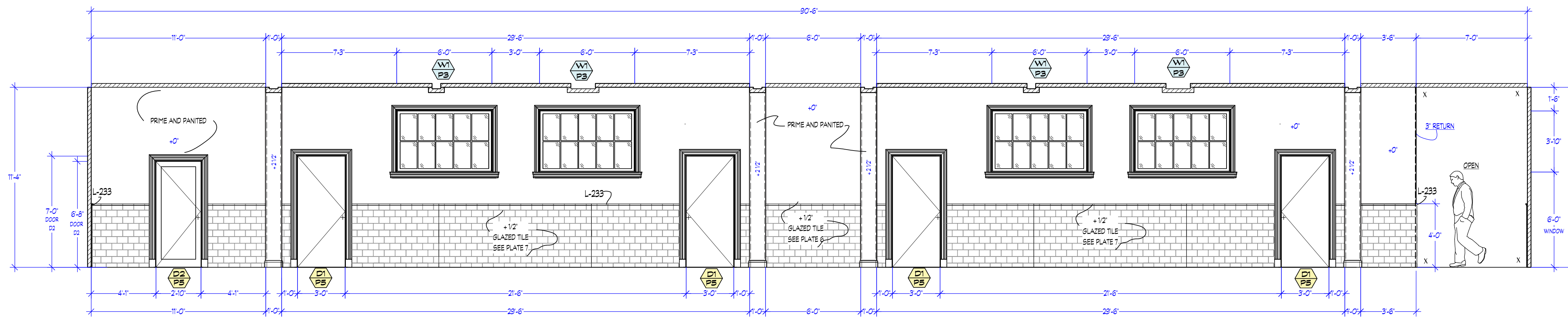


CLASS ROOM PLAN
Scale: 1/4" = 1'-0"



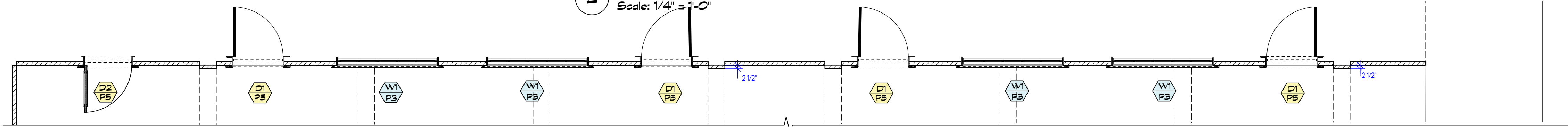
RELEASED 08/30/2017

| | | | |
|--|------------------------------------|---------------------|---------------------------|
| <p>唐人街探案 2 DETECTIVE CHINATOWN</p> | SET: 112/ 113 SONG YI CLASSROOM | | |
| | SUBJECT: CLASSROOM 1/4" ELEVATIONS | | |
| | LOCATION: GLENDALE STAGE 1 | | |
| | PREP: XX.XX.XXXX | SHOOT: XX.XX.XXXX | SHEET NO. |
| PRODUCTION DESIGNER: LI MIAO | DATE: 8.29.2017 | SCALE: 1/4"=1'-0" | <p>3 OF: 8</p> |
| ART DIRECTOR: PATRICK HOWE | REVISED: XX.XX.XXXX | DRAWN BY: MARTIN F. | |

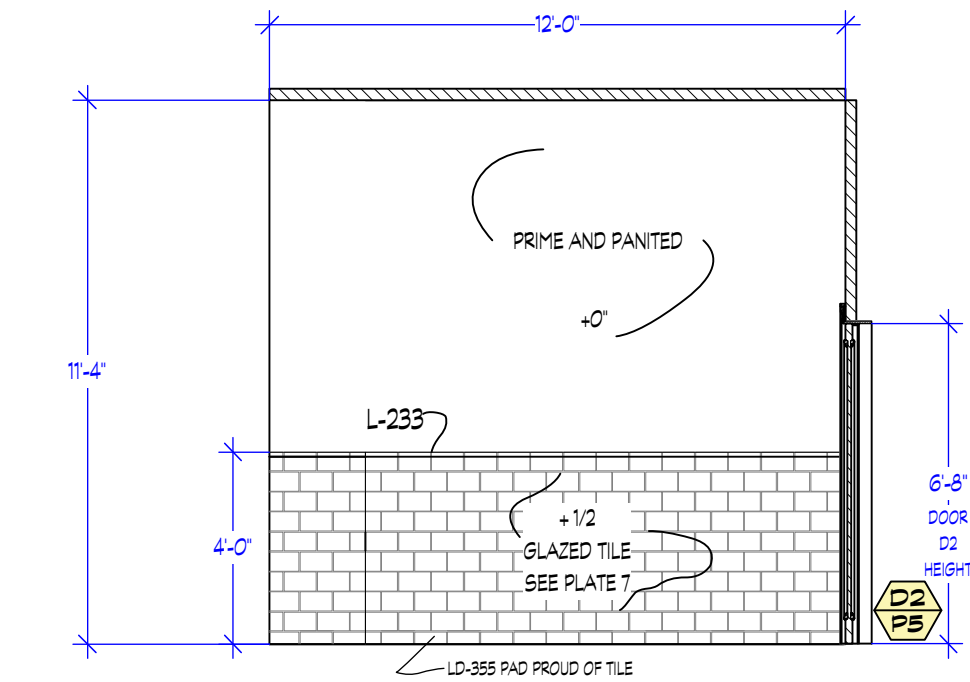
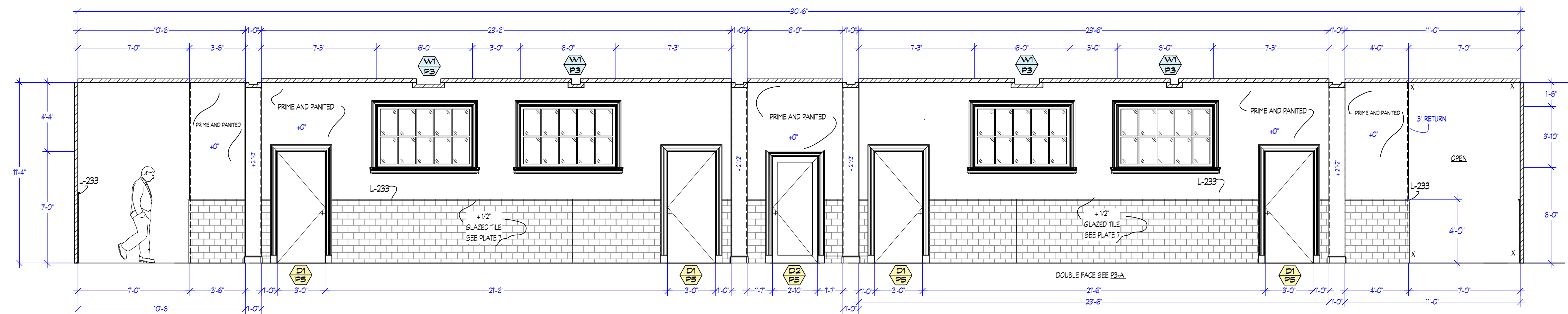


E HALL WEST WALL ELEVATION
Scale: 1/4" = 1'-0"

E HALL NORTH ACROSS FROM CLASSROOM ELEVATION
Scale: 1/4" = 1'-0"

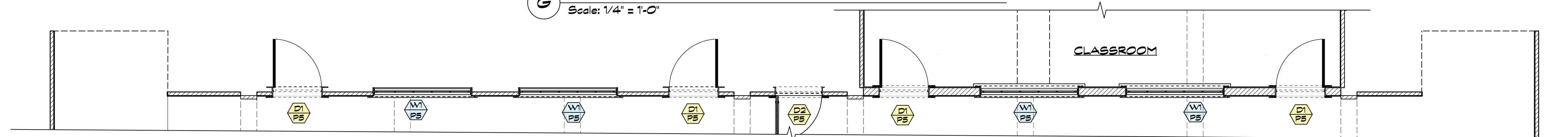


HALL BACKING ACROSS FROM CLASSROOM PLAN
Scale: 1/4" = 1'-0"

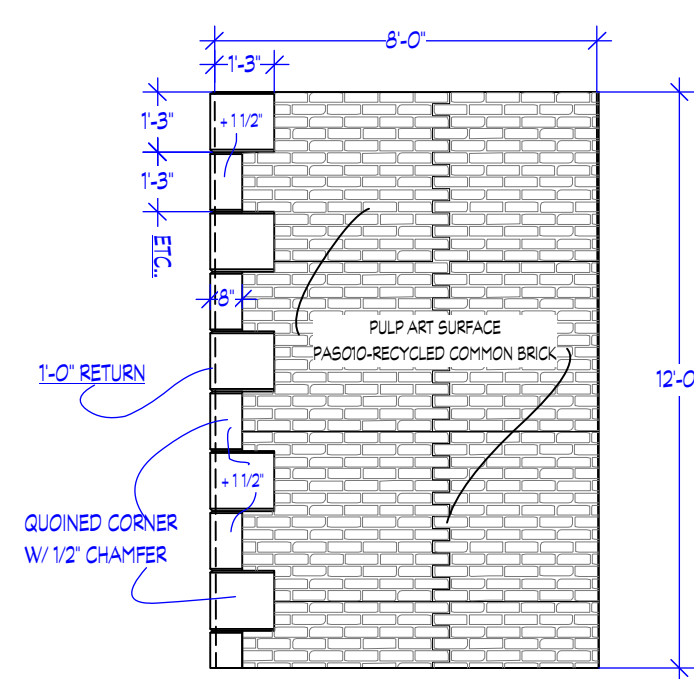


H HALL EAST WALL ELEVATION
Scale: 1/4" = 1'-0"

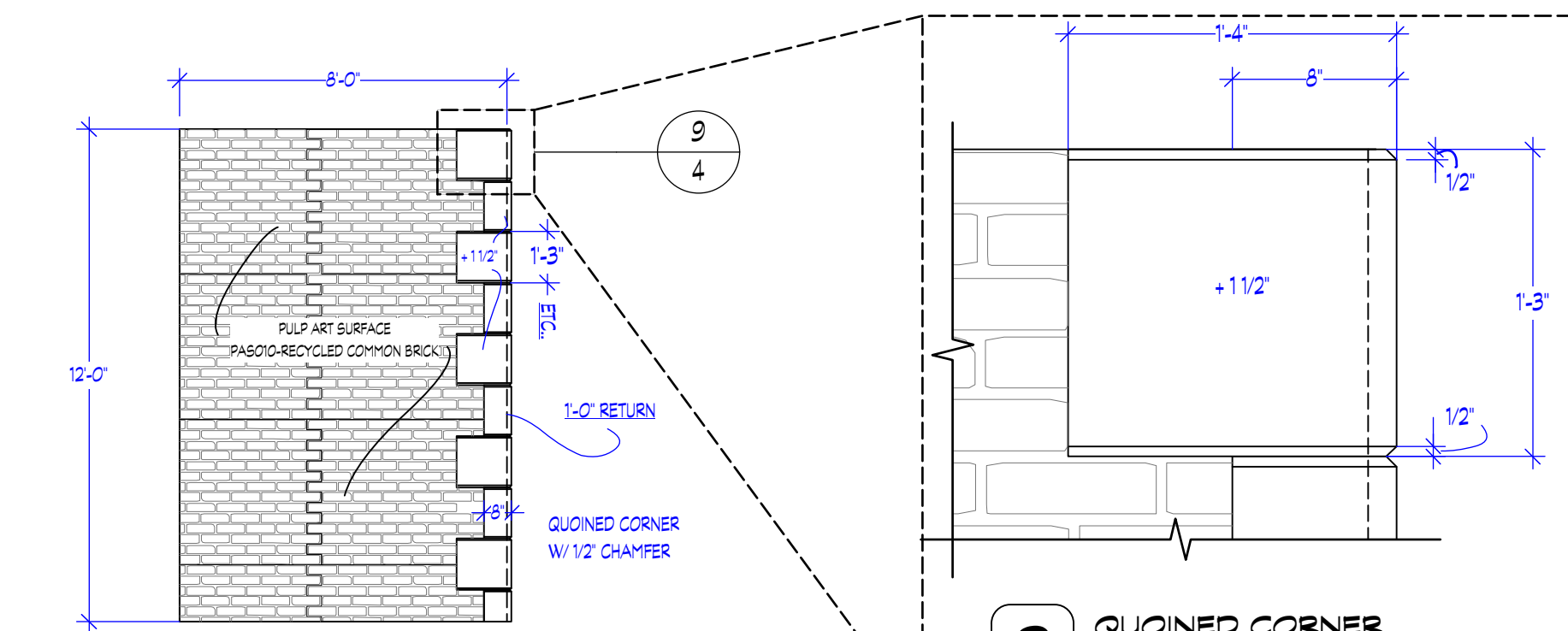
G HALL SOUTH ACROSS FROM CLASSROOM ELEVATION
Scale: 1/4" = 1'-0"



HALL SOUTH CLASSROOM HALL ELEVATION
Scale: 1/4" = 1'-0"



I WINDOW BACKING I
Scale: 1/4" = 1'-0"



J WINDOW BACKING J
Scale: 1/4" = 1'-0"

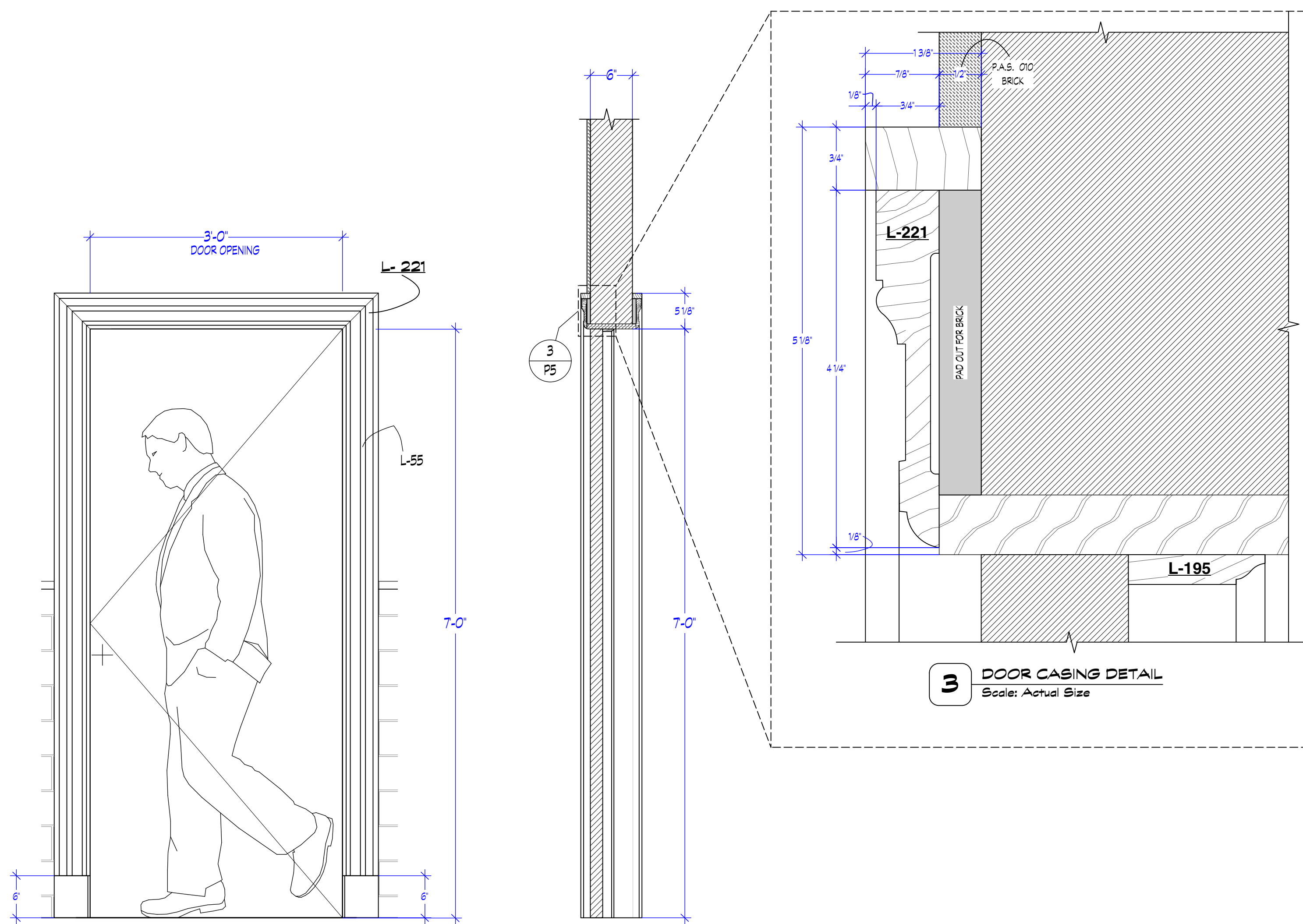
9 QUOINED CORNER
Scale: 1 1/2" = 1'-0"



RELEASED 08/30/2017

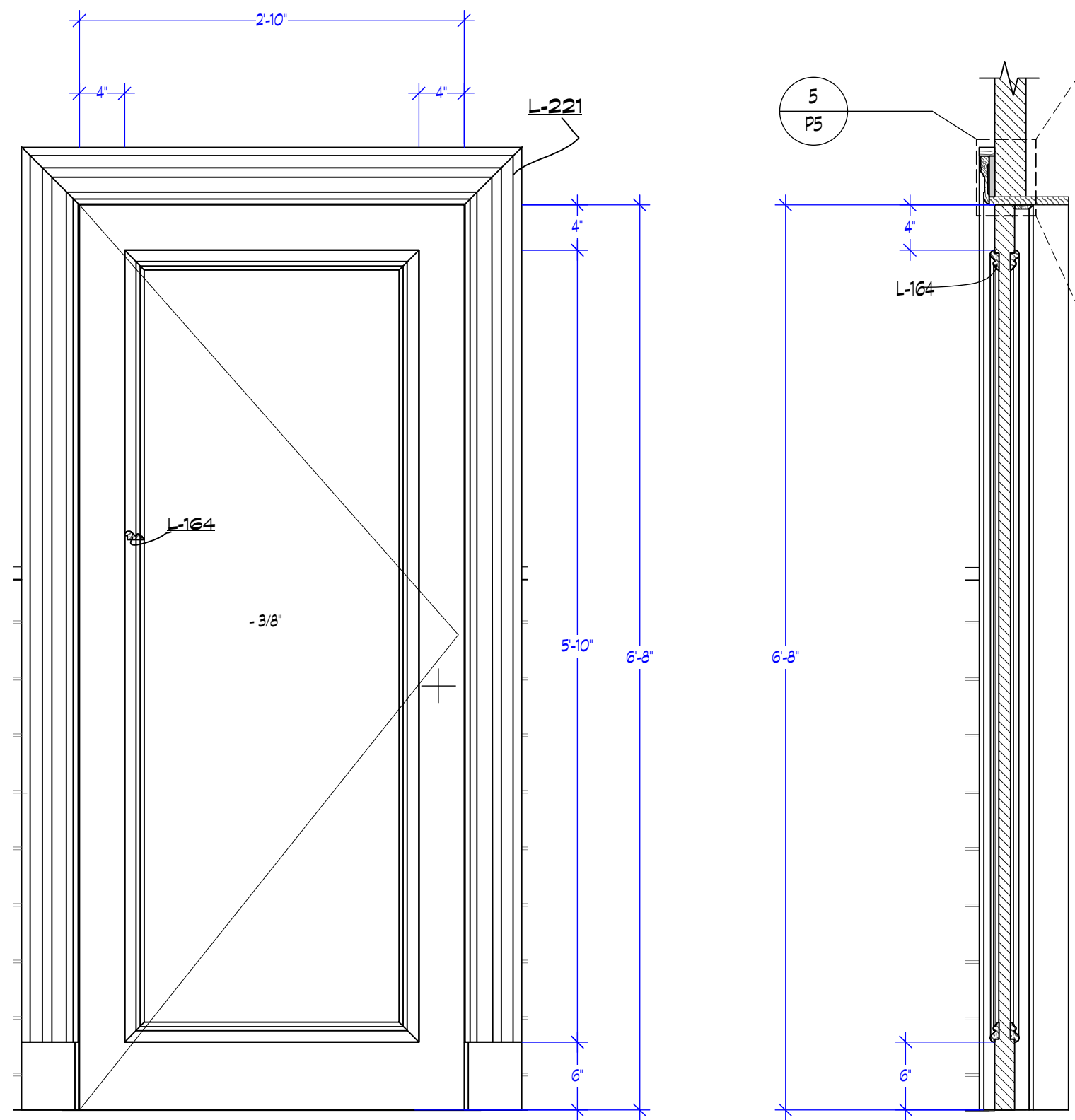
| | | | |
|--|------------------------------------|-------------------|-----------|
| <p>唐人街探案 2 DETECTIVE CHINATOWN</p> | SET: 112/ 113 SONG YI CLASSROOM | | |
| | SUBJECT: CLASSROOM HALL ELEVATIONS | | |
| | LOCATION: GLENDALE STAGE 1 | | |
| | PREP: XX.XX.XXXX | SHOOT: XX.XX.XXXX | SHEET NO. |
| DATE: 8.30.2017 | SCALE: 1/4"=1'-0" | 4 | |
| REVISED: XX.XX.XXXX | DRAWN BY: MARTIN F. | OF: 8 | |

PRODUCTION DESIGNER: LI MIAO
ART DIRECTOR: PATRICK HOWE



D1 DOOR 1 DETAIL
Scale: 1" = 1'-0"

D1 DOOR 1 SECTION VIEW
Scale: 1" = 1'-0"

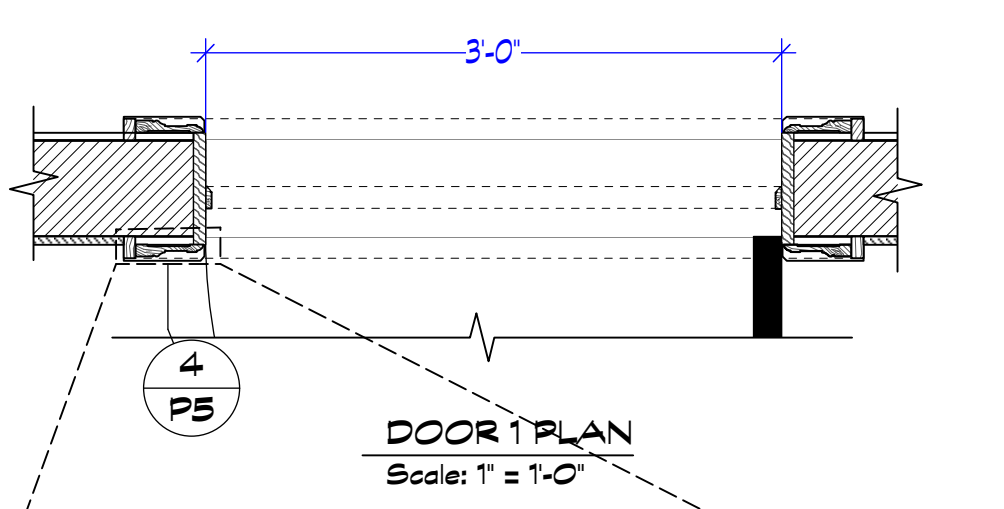


D2 DOOR 2 DETAIL
Scale: 1" = 1'-0"

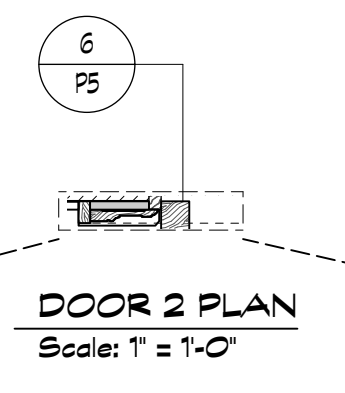
D2 DOOR 2 SECTION
Scale: 1" = 1'-0"

BUILD 8 -
2 - DOUBLE FACED
 1 - HINGED RIGHT
 1 - HINGED LEFT
6 - SINGLE FACED
 3 - HINGED RIGHT
 3 - HINGED LEFT

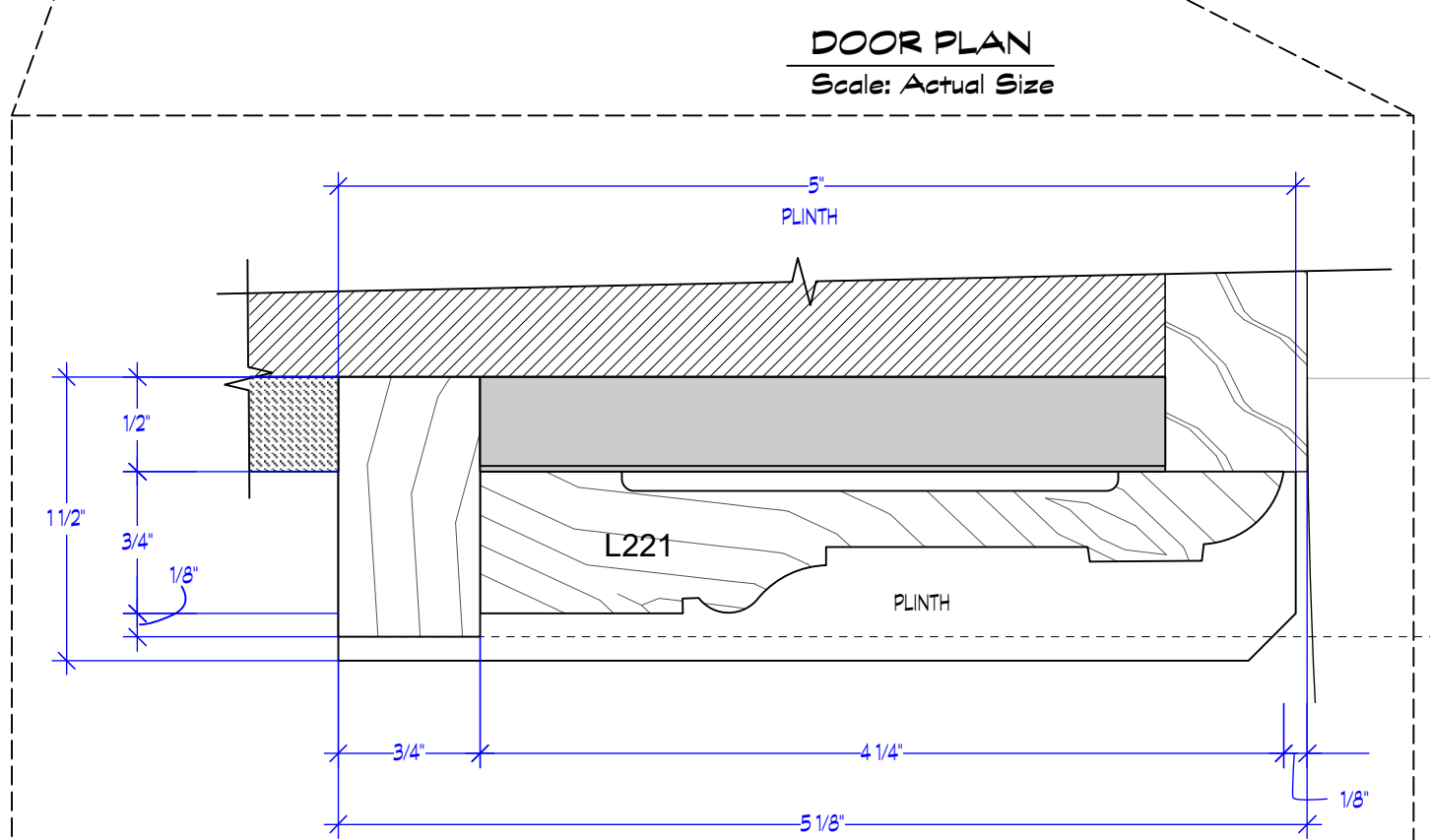
BUILD 2 -
 1 - HINGED RIGHT
 1 - HINGED LEFT



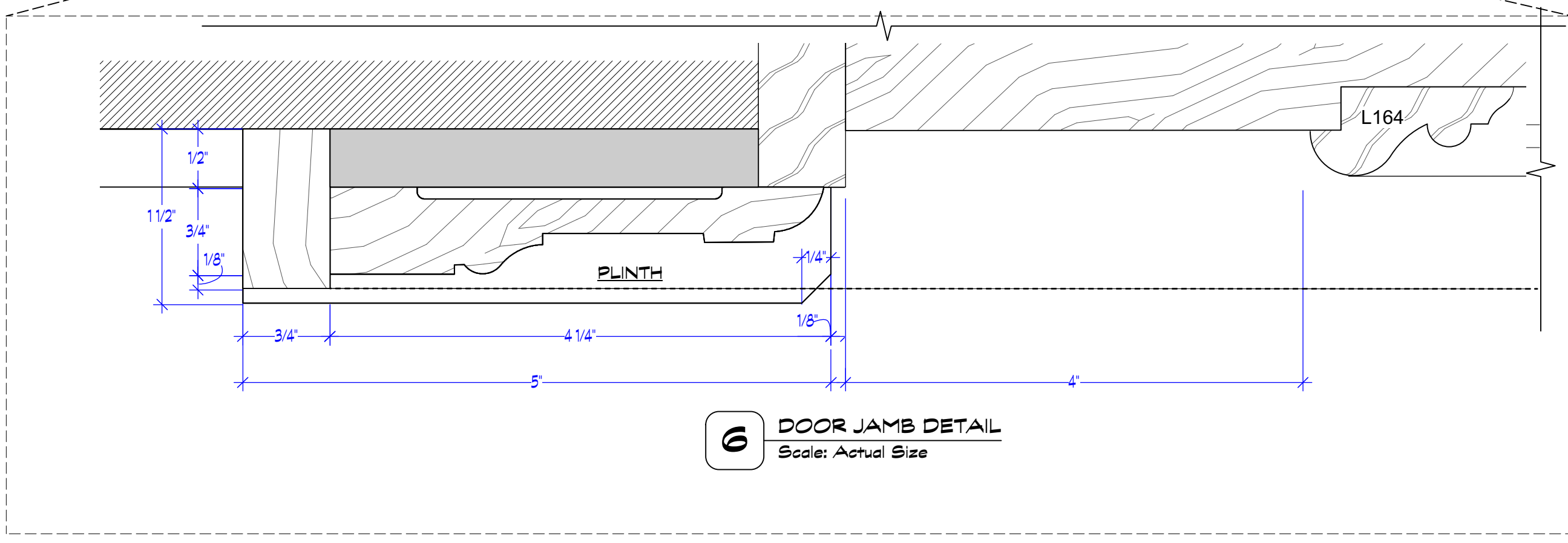
DOOR 1 PLAN
Scale: 1" = 1'-0"



DOOR 2 PLAN
Scale: 1" = 1'-0"



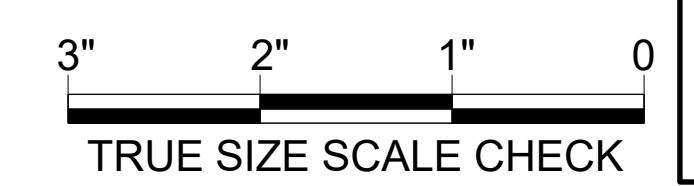
4 DOOR JAMB DETAIL
Scale: Actual Size



6 DOOR JAMB DETAIL
Scale: Actual Size

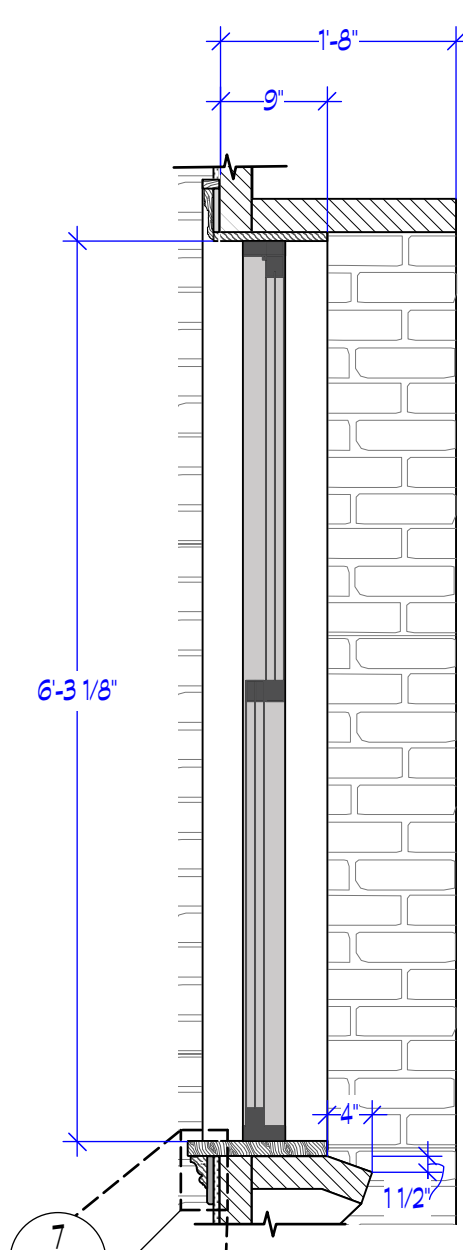
| DOOR SCHEDULE | DOOR NUMBER | 1 | 2 |
|------------------------|-------------|-------------|---|
| | QTY | 8 | 2 |
| TYPE | ENTRANCE | CLOSET | |
| ELEVATION | | | |
| DOOR OPENING SIZE | 36 X 84 | 34 X 80 | |
| DOOR MATERIAL | WOOD | WOOD | |
| FINISH | PAINT | PAINT | |
| DETAIL SHEET | 5 | 5 | |
| HARDWARE STYLE | | | |
| ENTRY ESCUTCHEON PLATE | X | X | |
| KNOB AND LOCK | 16 | 4 | |
| | 8 | 2 | |
| HARDWARE FINISH | PER SET DEC | PER SET DEC | |
| HINGE QTY | 3 PER | 3 PER | |
| THRESHOLD | | | |

RELEASED 09/06/2017

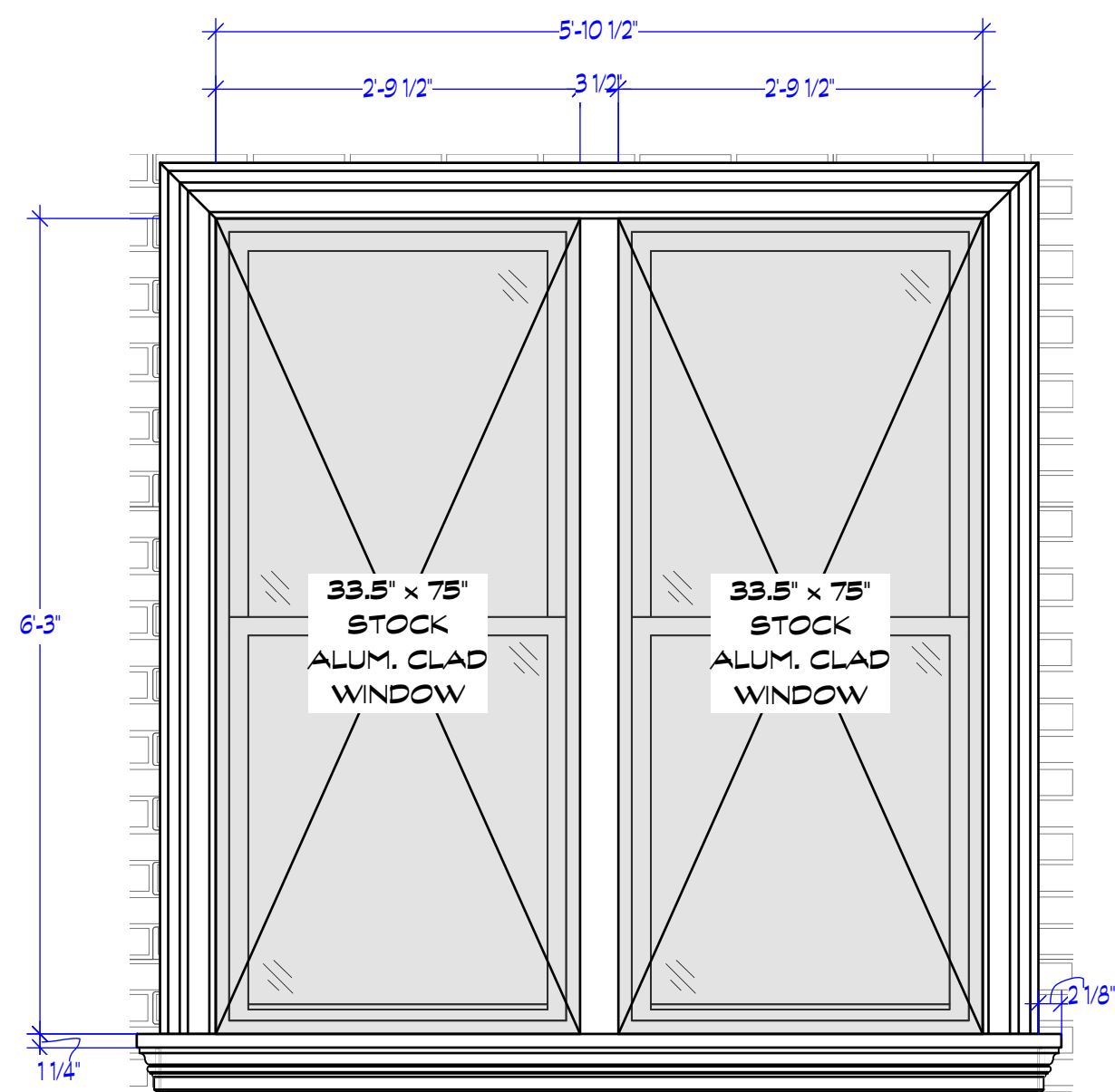


唐人街探案 2
DETECTIVE CHINATOWN

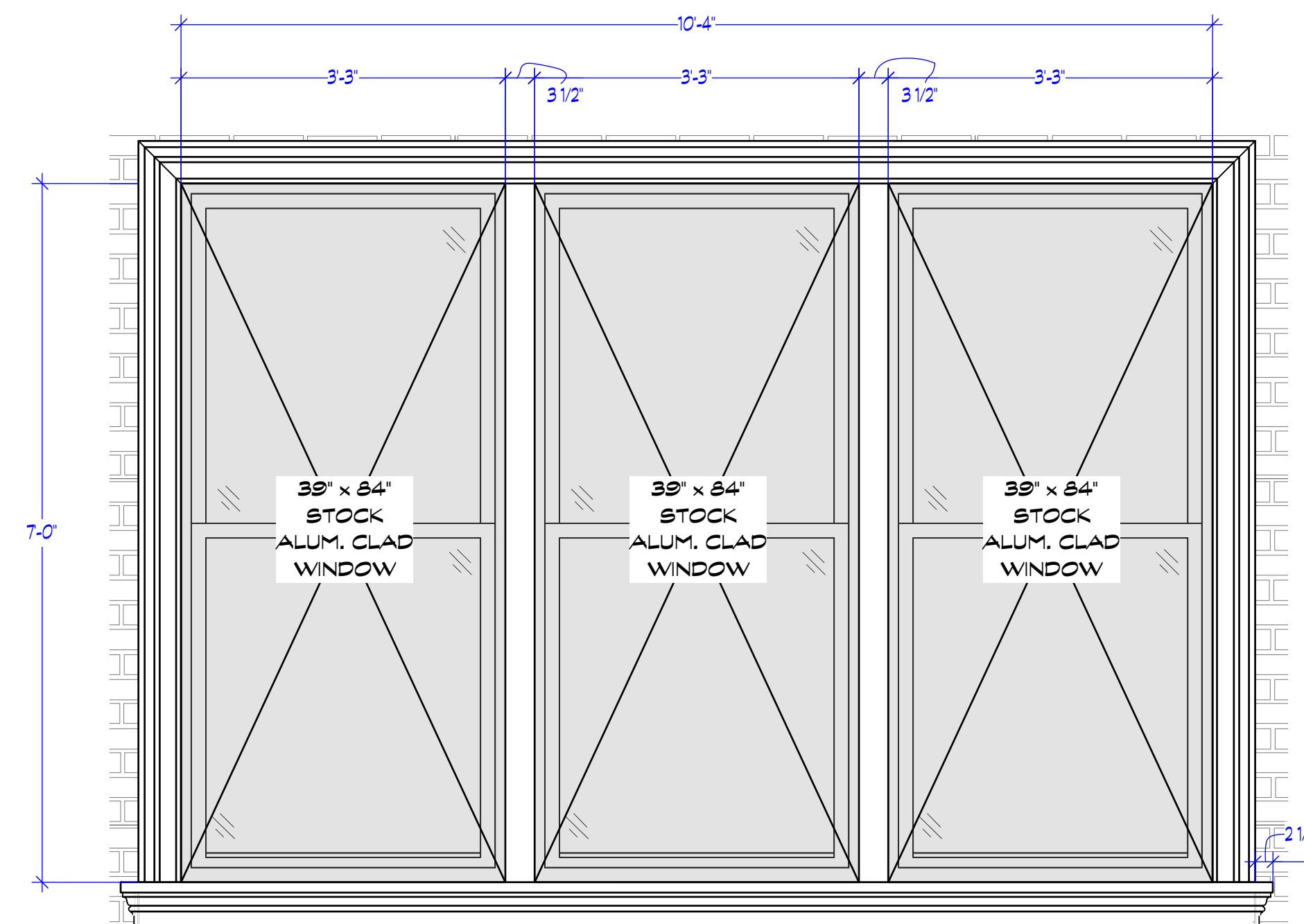
SET: 112/ 113 SONG YI CLASSROOM
 SUBJECT: CLASSROOM DOOR DETAIL
 LOCATION: GLENDALE STAGE 1
 PREP: XX.XX.XXXX SHOOT: 10.09.2017 SHEET NO. **5**
 DATE: 8.29.2017 SCALE: NOTED
 REVISED: 09.06.2017 DRAWN BY: MARTIN F. OF: 8



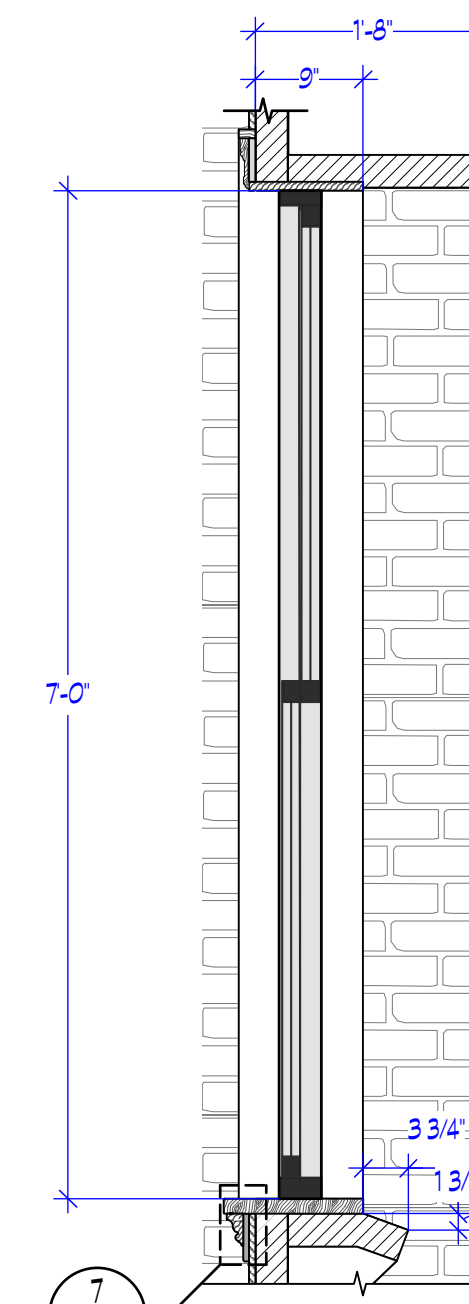
W2 WINDOW 2 SECTION
Scale: 3/4" = 1'-0"



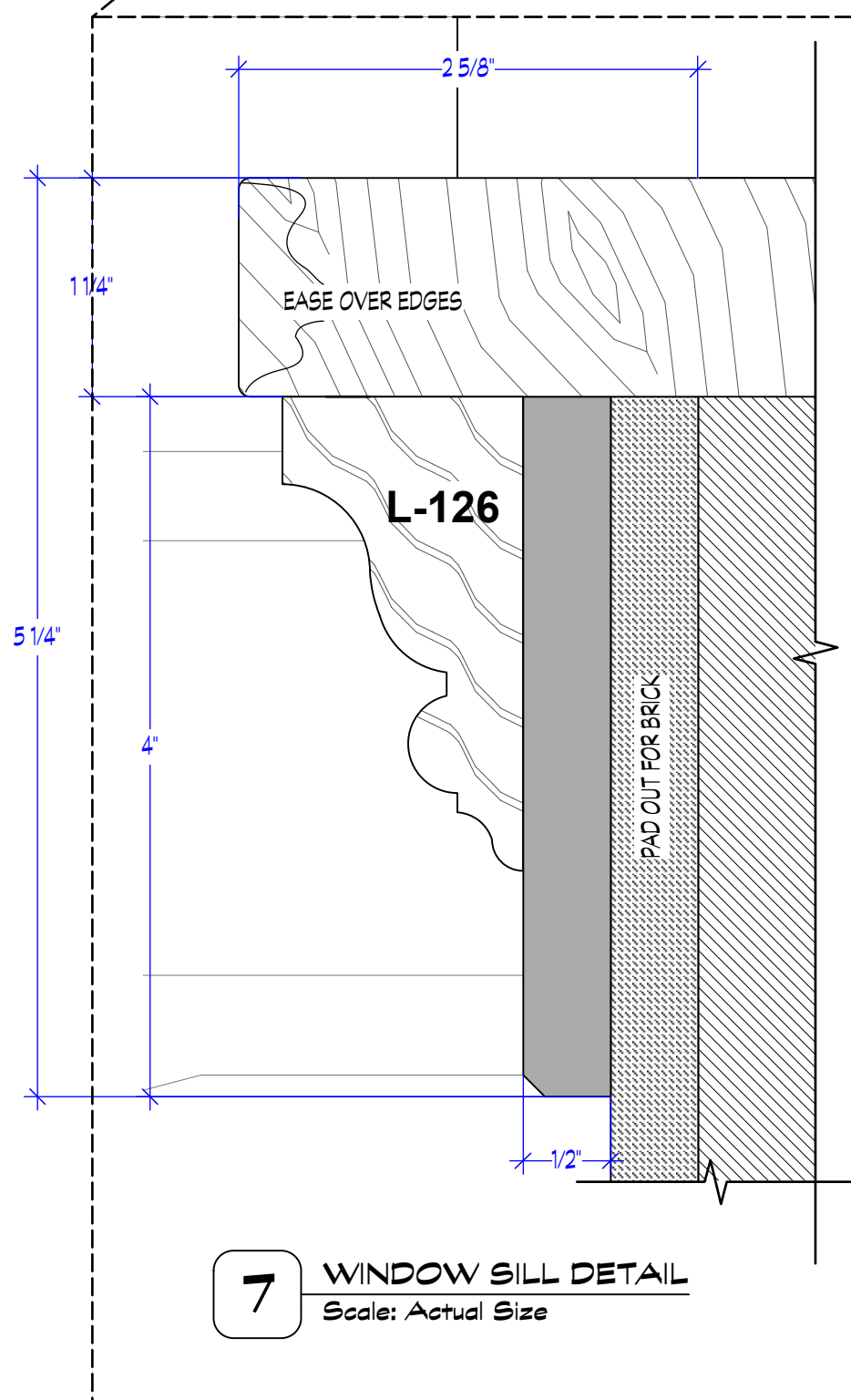
W2 WINDOW 2 DETAIL
Scale: 3/4" = 1'-0"



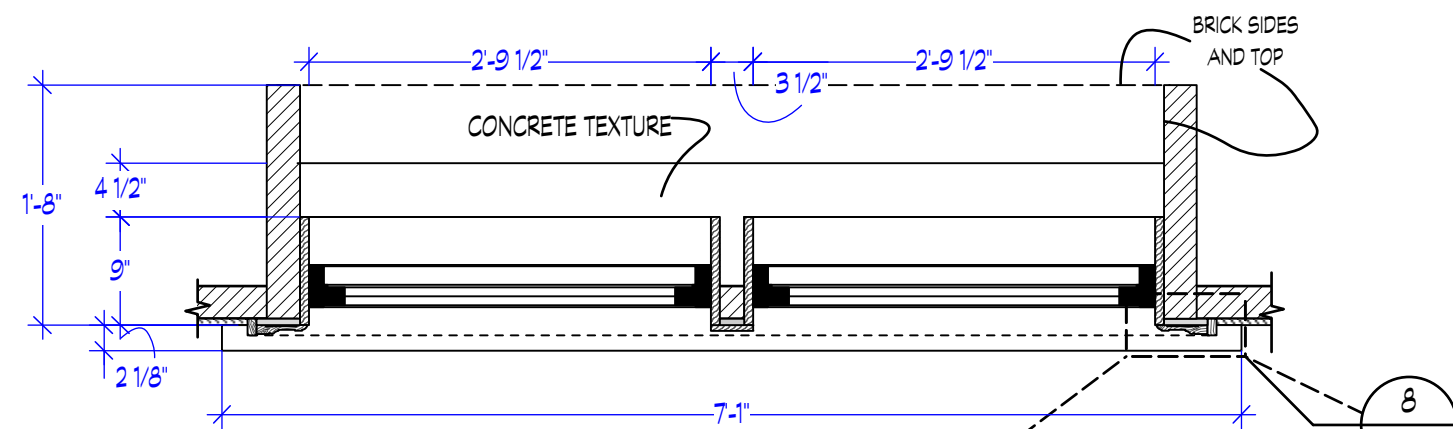
W3 WINDOW 3 DETAIL
Scale: 3/4" = 1'-0"



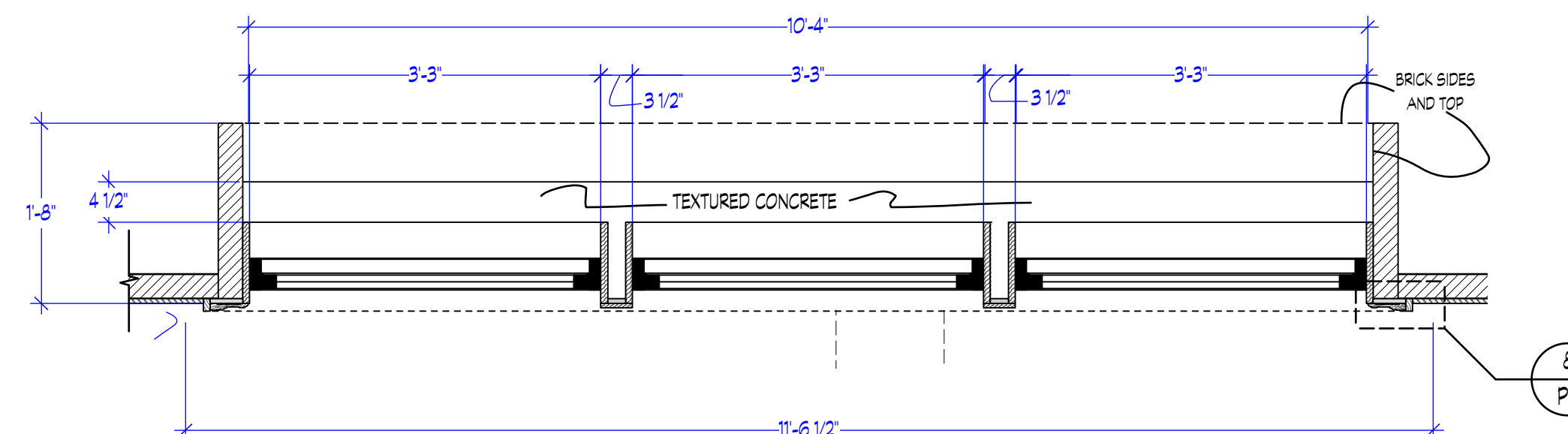
W3 WINDOW 3 SECTION
Scale: 3/4" = 1'-0"



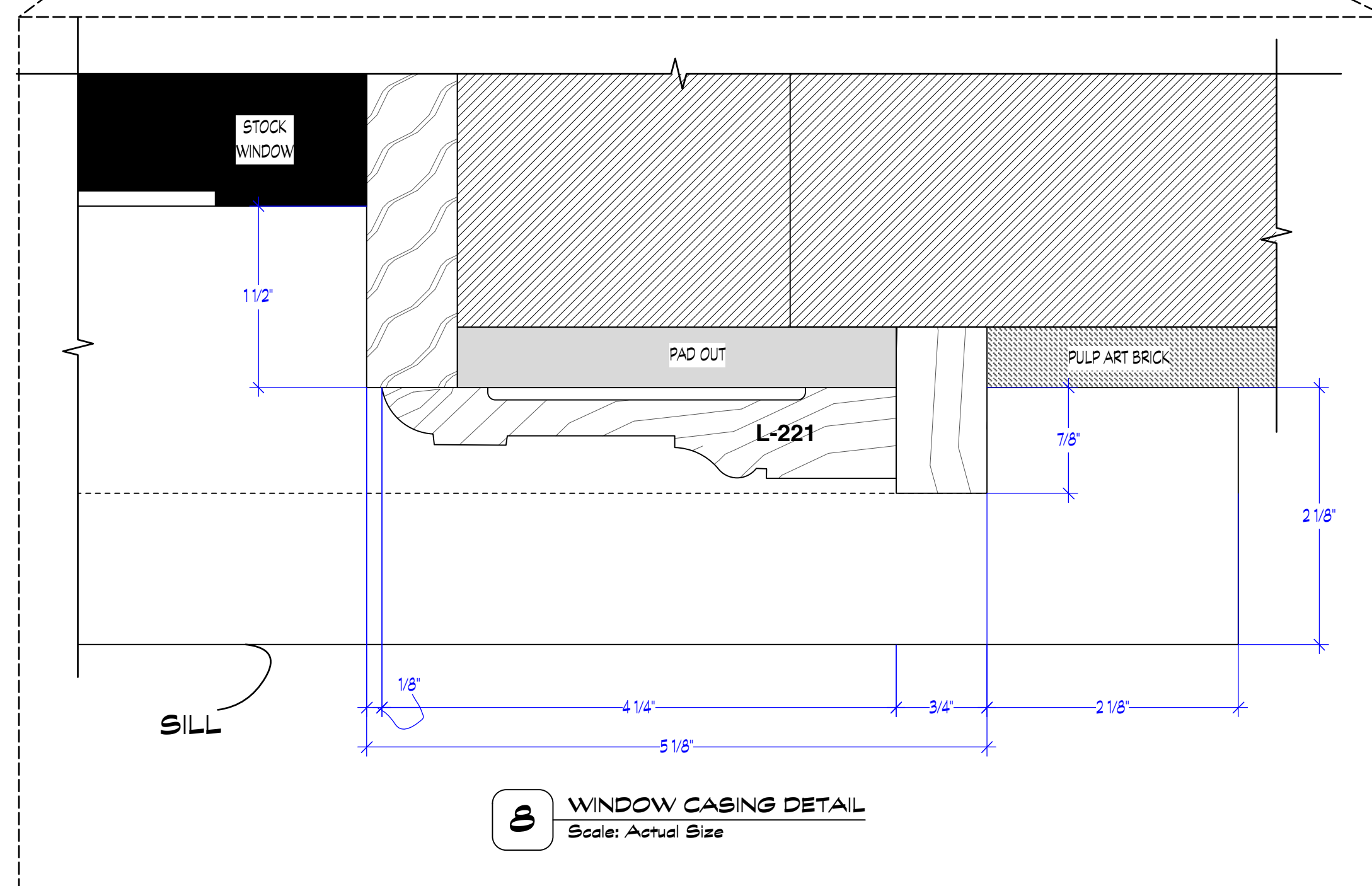
7 WINDOW SILL DETAIL
Scale: Actual Size



W2 WINDOW 2 PLAN
Scale: 3/4" = 1'-0"



W3 WINDOW 3 PLAN
Scale: 3/4" = 1'-0"



8 WINDOW CASING DETAIL
Scale: Actual Size

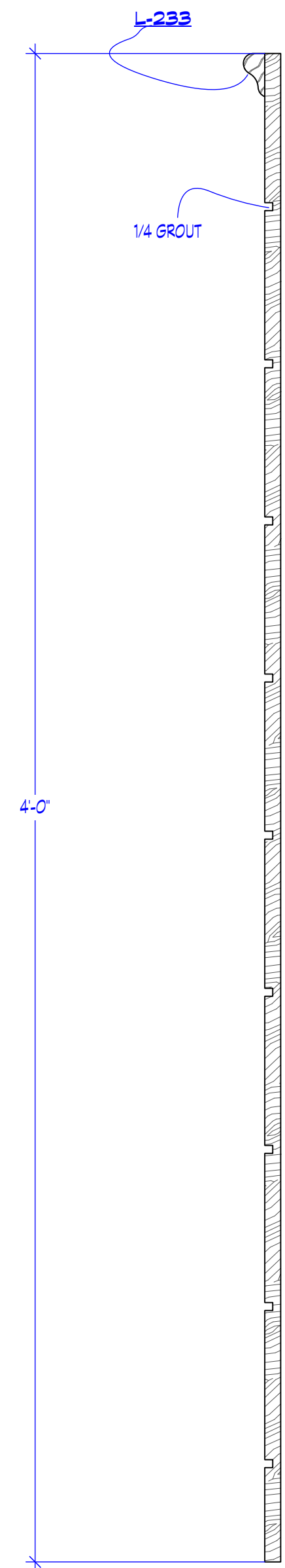


RELEASED 08/30/2017

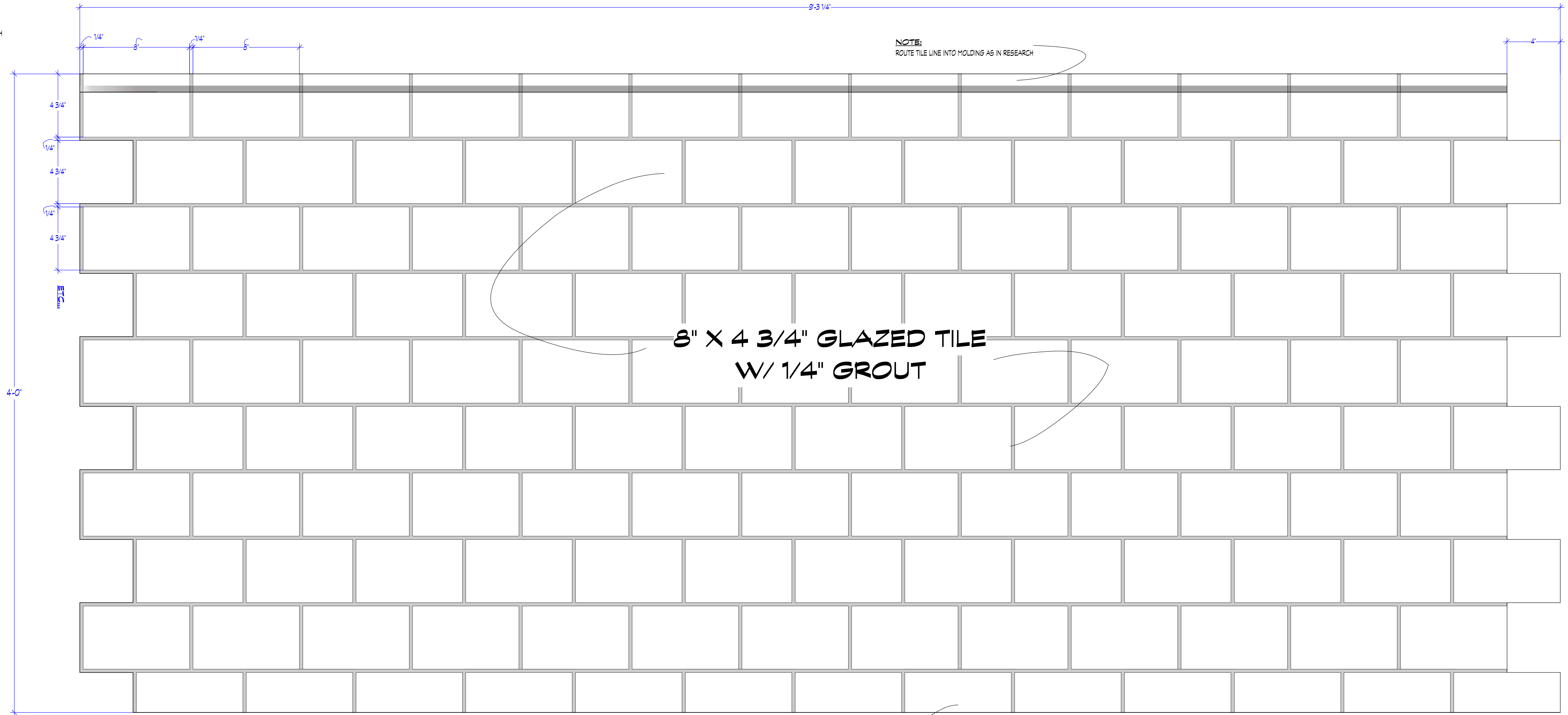
| | | | |
|--|----------------------------------|-------------------|-----------|
| <p>唐人街探案 2 DETECTIVE CHINATOWN</p> | SET: 112/ 113 SONG YI CLASSROOM | | |
| | SUBJECT: CLASSROOM WINDOW DETAIL | | |
| | LOCATION: GLENDALE STAGE 1 | | |
| | PREP: XX.XX.XXXX | SHOOT: XX.XX.XXXX | SHEET NO. |
| DATE: 8.30.2017 | SCALE: NOTED | 6 | |
| REVISED: XX.XX.XXXX | DRAWN BY: MARTIN F. | OF: 8 | |

PRODUCTION DESIGNER: LI MIAO
ART DIRECTOR: PATRICK HOWE

NOTE:
ROUTE TILE LINE INTO MOLDING AS IN RESEARCH



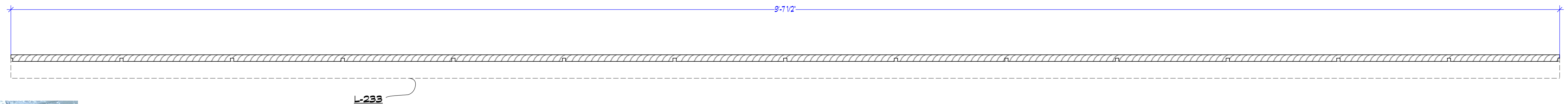
NOTE:
ROUTE TILE LINE INTO MOLDING AS IN RESEARCH



8" X 4 3/4" GLAZED TILE
W/ 1/4" GROUT

TILE SECTION AT CENTER
Scale: 3" = 1'-0"

ROUTED TILE SHEET FRONT VIEW
Scale: 3" = 1'-0"

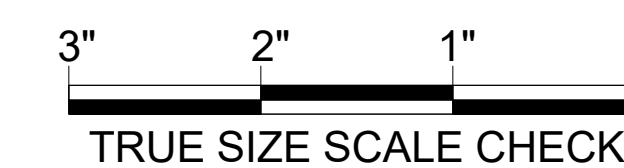


ROUTED TILE PLAN VIEW
Scale: 3" = 1'-0"

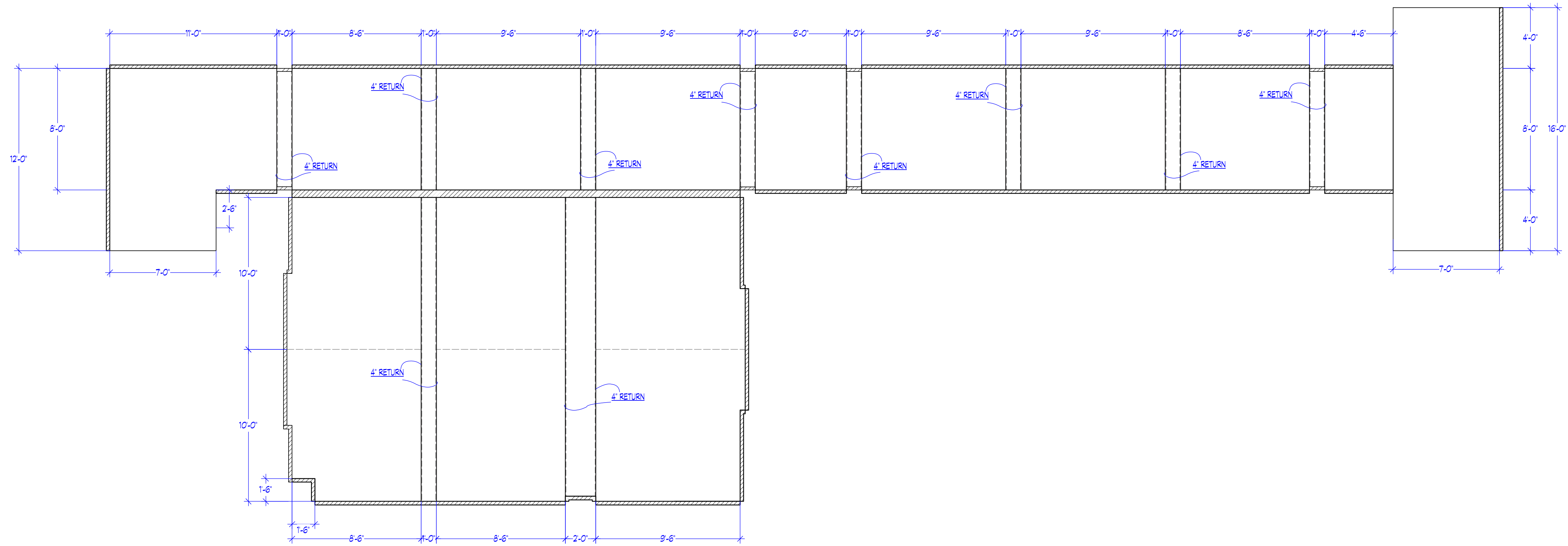


ROUT 22 SHEETS OF 4' X 10' MDF FOR WAINSCOAT TILE

RELEASED 08/29/2017



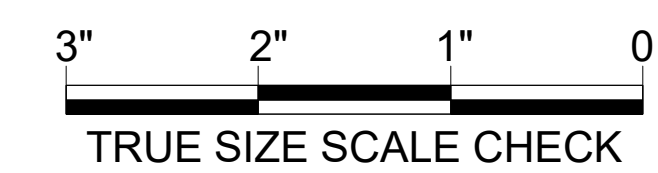
| | | | | |
|--|--|---------------------------------|-------------------|-----------|
| 唐人街探案 2 DETECTIVE CHINATOWN | | SET: 112/ 113 SONG YI CLASSROOM | | |
| | | SUBJECT: TILE DETAIL | | |
| LOCATION: GLENDALE STAGE 1 | | PREP: XX.XX.XXXX | SHOOT: XX.XX.XXXX | SHEET NO. |
| DATE: 8.30.2017 | | SCALE: NOTED | | 7 |
| REVISD: XX.XX.XXXX | | DRAWN BY: MARTIN F. | | |
| PRODUCTION DESIGNER: LI MIAO | | | | OF: 8 |
| ART DIRECTOR: PATRICK HOWE | | | | |



SONG YI SCHOOL REFLECTED CEILING
Scale: 1/4" = 1'-0"



REVISED!!
DO NOT BUILD FOR DISCUSSION ONLY 09/06/2017



| | | | |
|--|---------------------------------|---------------------|---------------------------|
| <p>唐人街探案 2 DETECTIVE CHINATOWN</p> | SET: 112/ 113 SONG YI CLASSROOM | | |
| | SUBJECT: REFLECTED CEILING | | |
| | LOCATION: GLENDALE STAGE 1 | | |
| | PREP: XX.XX.XXXX | SHOOT: 10.09.2017 | SHEET NO. |
| PRODUCTION DESIGNER: LI MIAO | DATE: 8.30.2017 | SCALE: 1/4"=1'-0" | <p>8 OF: 8</p> |
| ART DIRECTOR: PATRICK HOWE | REVISED: 09.06.2017 | DRAWN BY: MARTIN F. | |