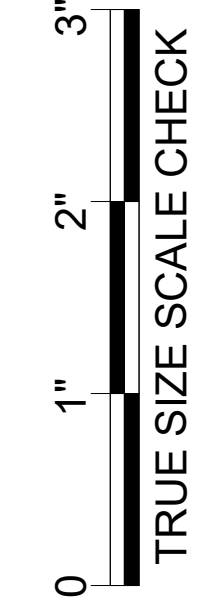


TECHNICAL PLAN INTERROGATION ROOM
Scale: 1/2" = 1'-0"

NUMBER	D1	D2	W2
QTY	3	1	5
TYPE	ENTRANCE	ENTRANCE	PRISON
ELEVATION			
DOOR OPENING SIZE	36 X 84	36 X 84	35.5 X 47.5
DOOR MATERIAL	WOOD	WOOD	WOOD
FINISH	PAINT	PAINT	PAINT
DETAIL SHEET	3	2	3
HARDWARE STYLE	INSTITUTIONAL	INSTITUTIONAL	
ENTRY	1	1	X
ESCUTCHEON PLATE	X	X	X
KNOB AND LOCK	1	1	X
HARDWARE FINISH	PER SET DEC	PER SET DEC	PER SET DEC
HINGE QTY	3 PER	3 PER	X
NOTES			MCMMASTER CARR # 6420T370

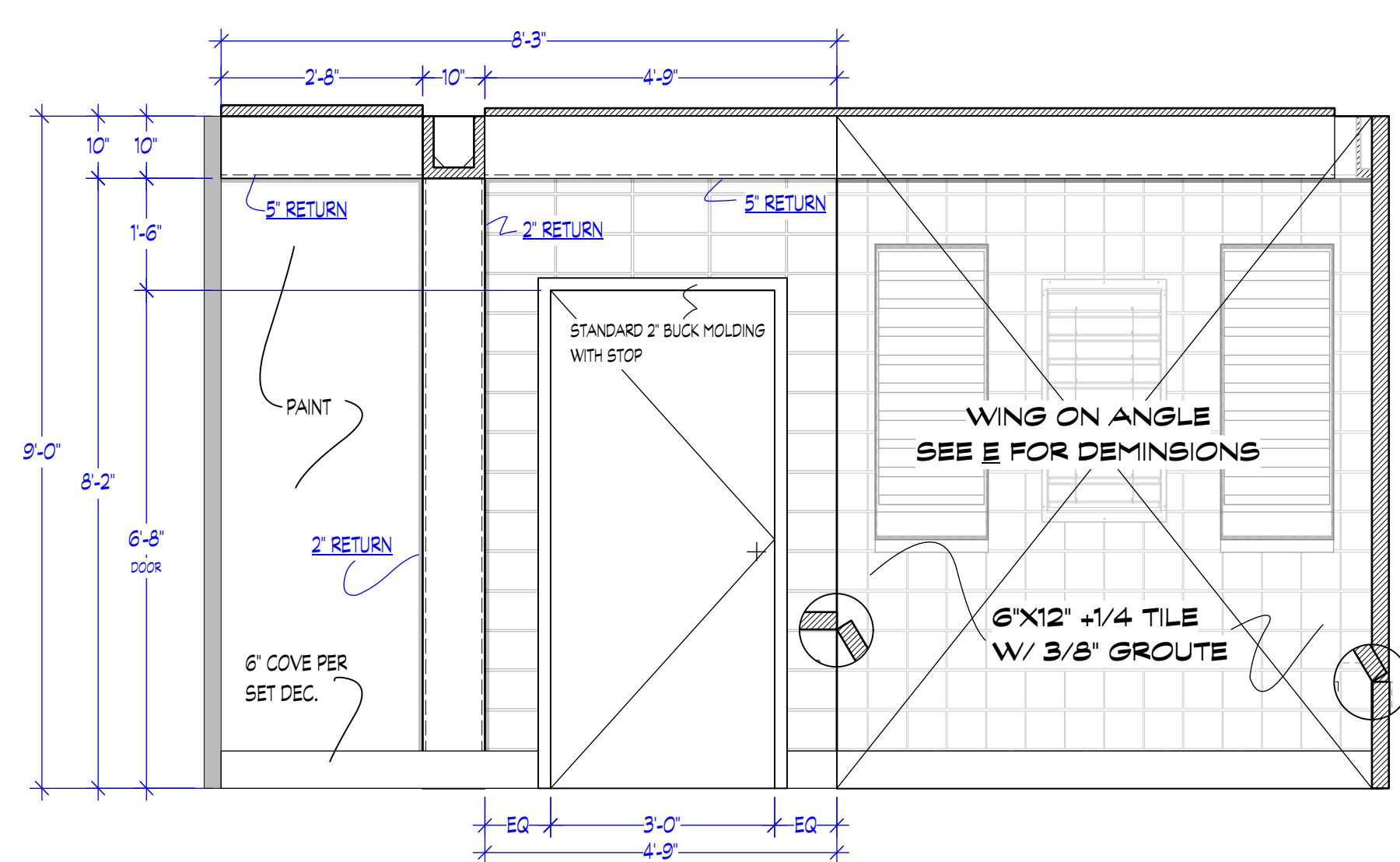


RELEASED 2/13/2018

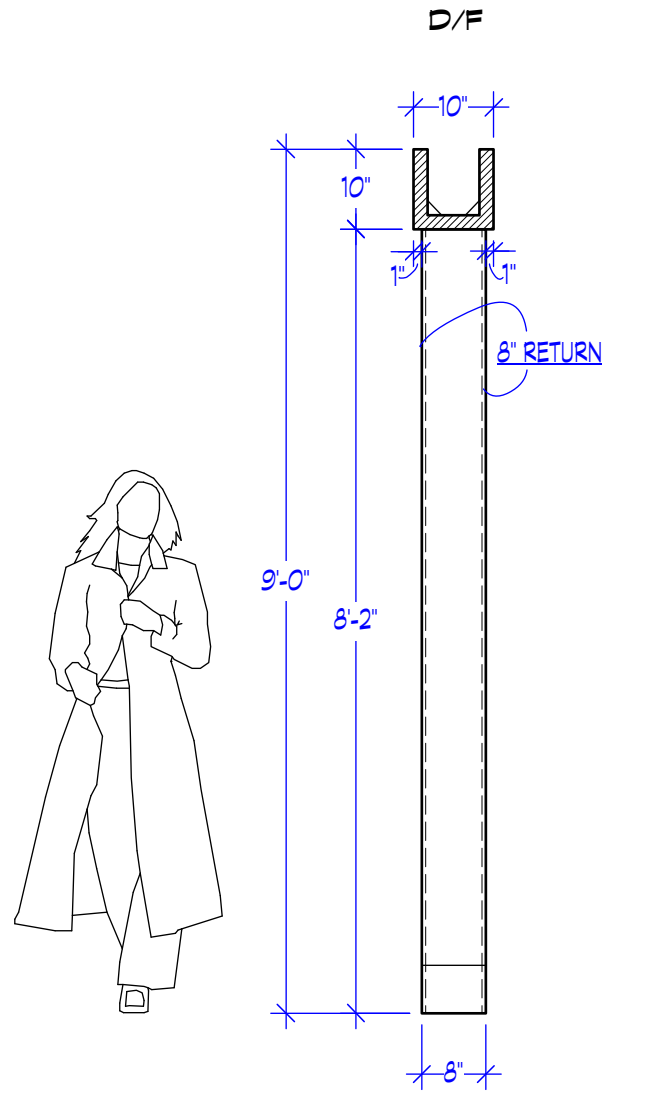
QUANTICO S3 INTERROGATION ROOM- TECHNICAL PLAN	Episode: 310	Drawing Date: 2/13/18	Drawn by: MDF
	Set # 231	Sheet Date:	Sheet No: 1B
Director: KEN FINK	NOTED		
Location: SILVERCUP STAGE 10			

Exc. Producer: MICHAEL SEITZMAN Exc. Producer: RUSSELL FINE
 Line Producer: MOE BARDACH UPM: RANDOL TAYLOR
 ABC Studios Silvercup Studios 42-22 22nd St 3rd Floor South LIC, NY 11101
 Prod. Designer: JEREMY CASSELLS Art Director: NATALIE WEINMANN
 Set Decorator: SARAH DENNIS Constr. Coordinator: BRENT HAYWOOD

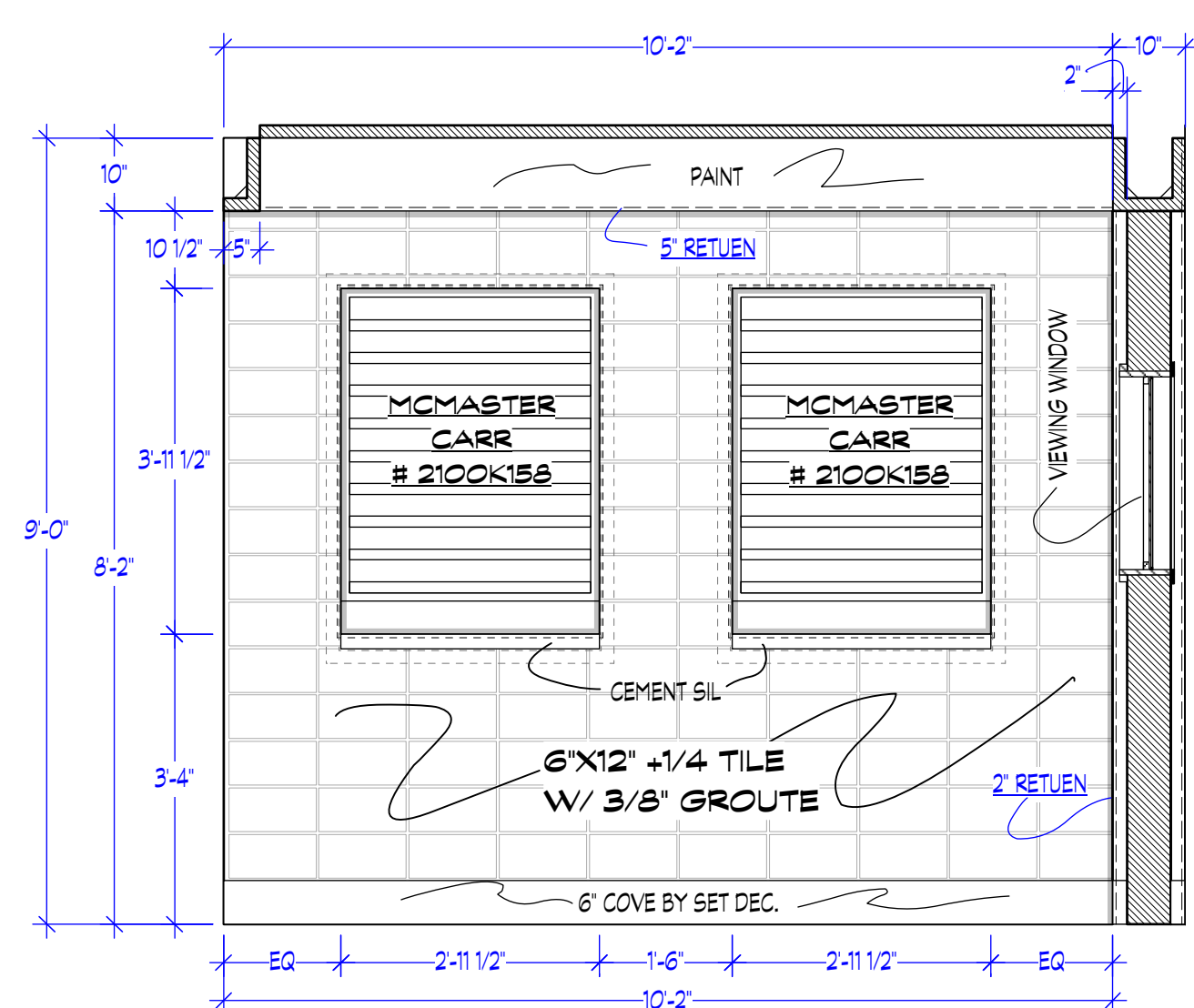
quantico
season three



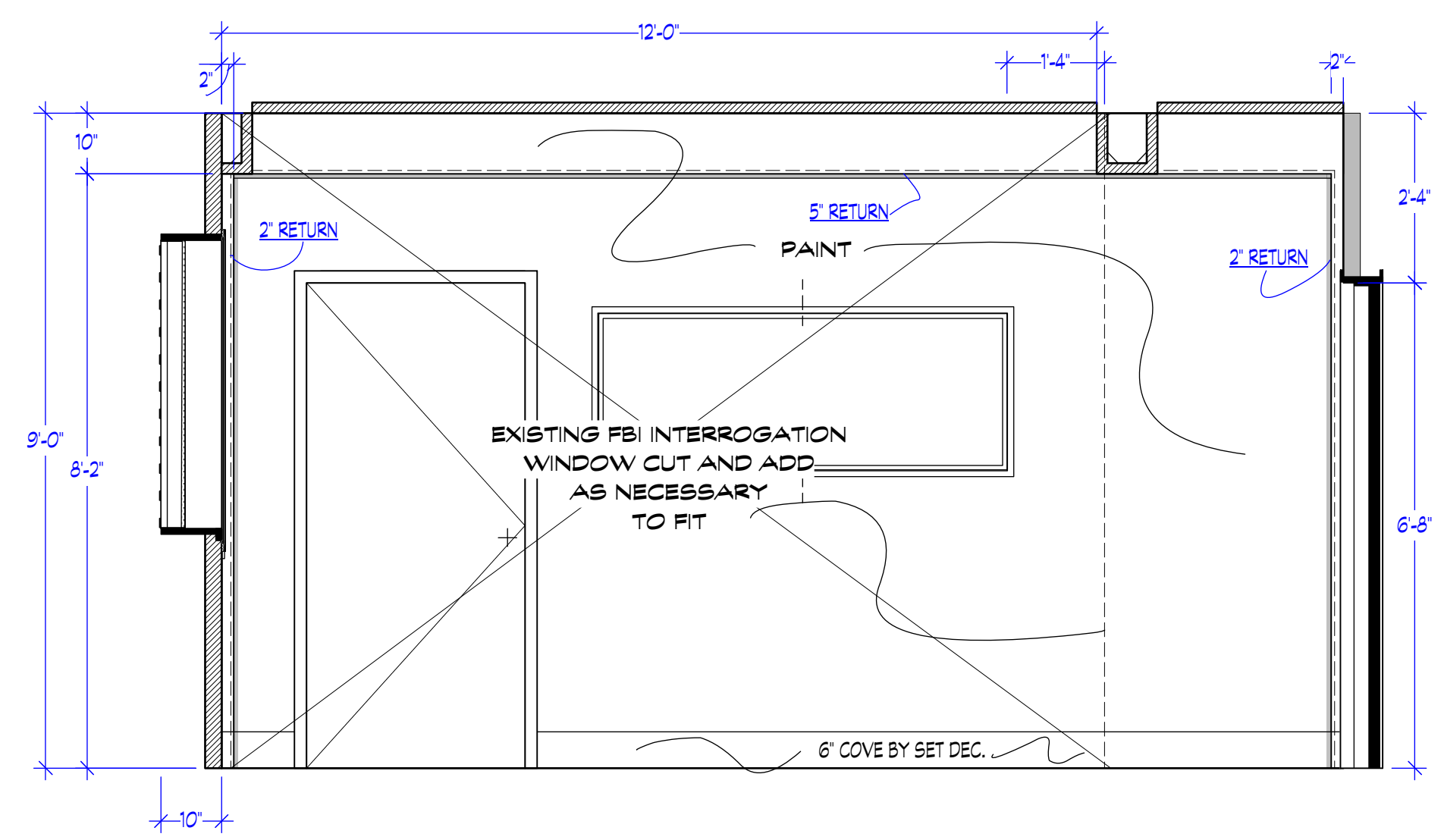
A INTERROGATION RM WALL A ELEVATION
Scale: 1/2" = 1'-0"



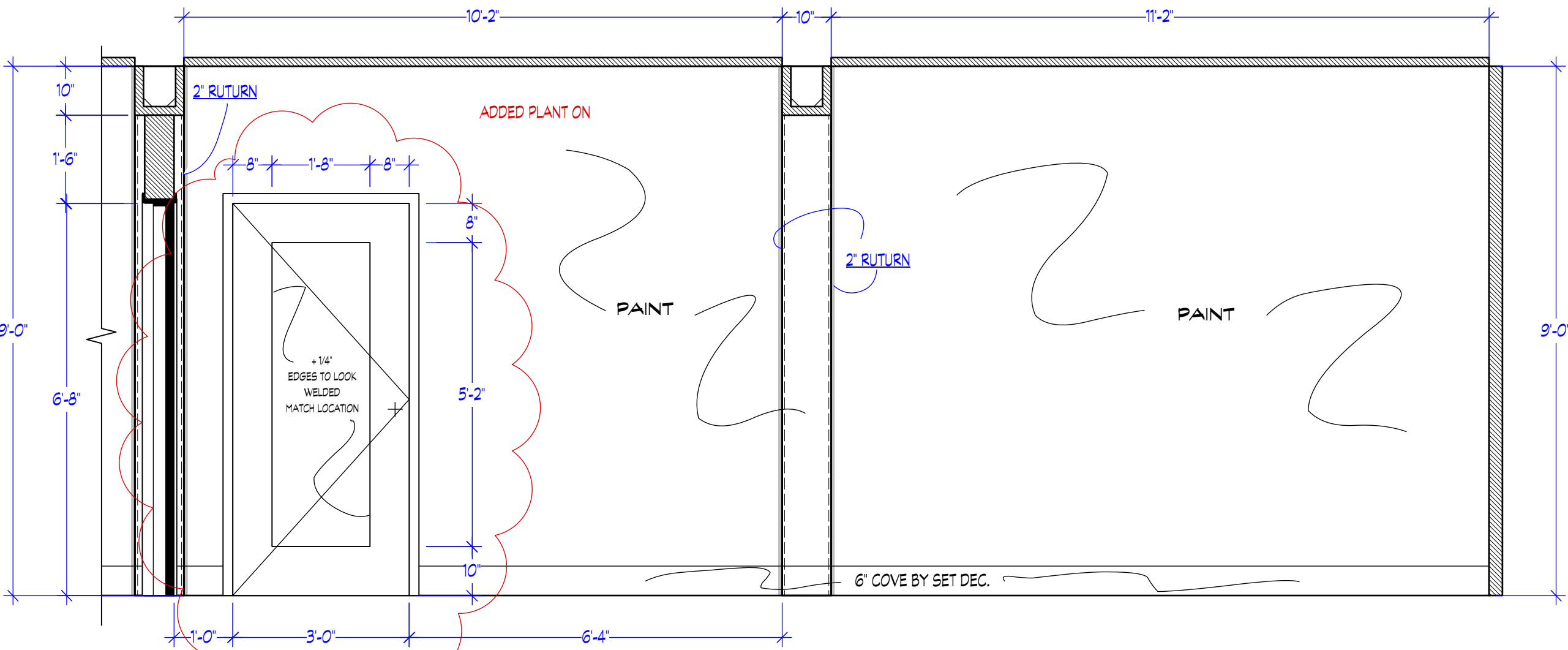
A1 COLUMN A1 ELEVATION
Scale: 1/2" = 1'-0"



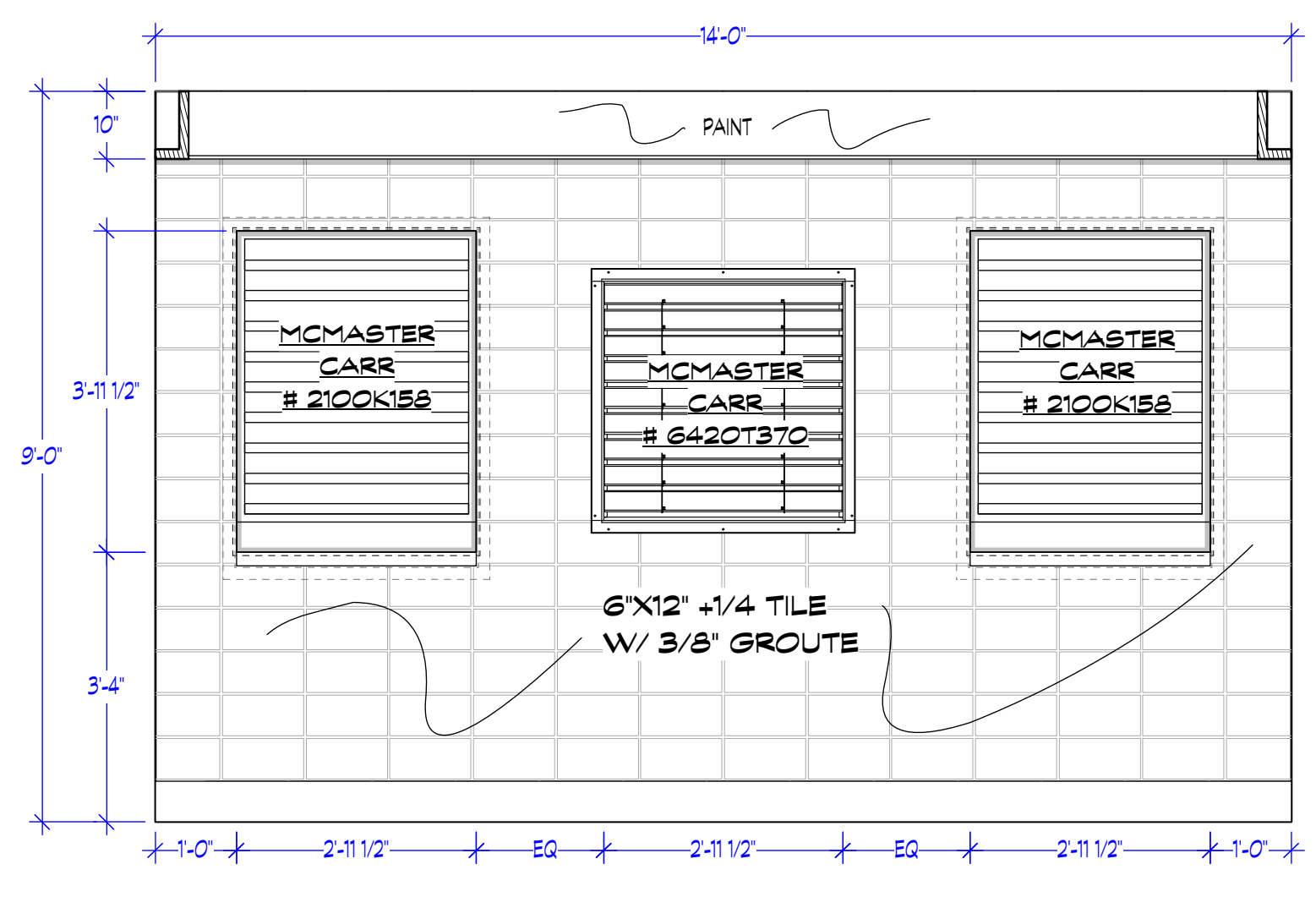
B INTERROGATION RM WALL B ELEVATION
Scale: 1/2" = 1'-0"



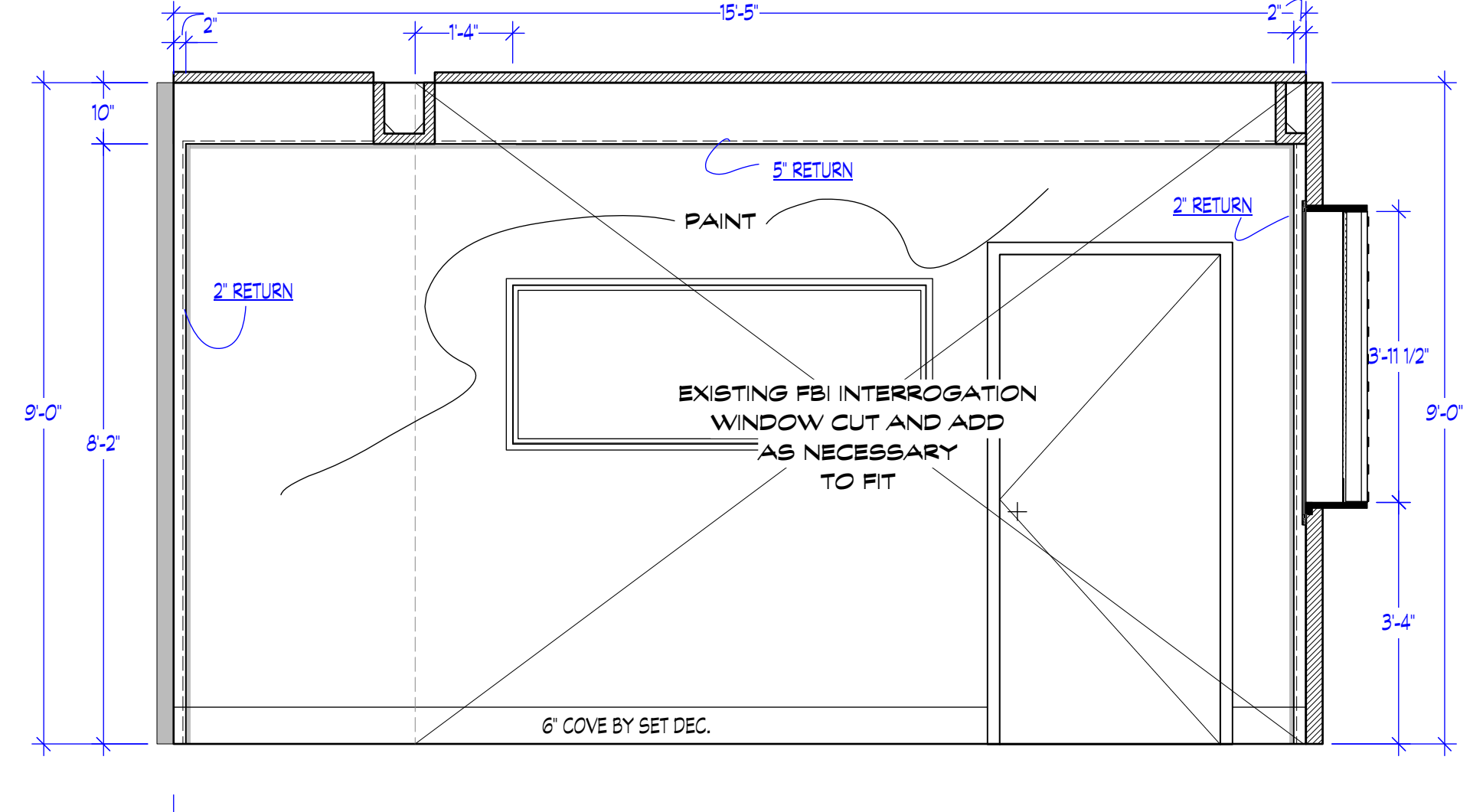
C INTERROGATION RM WALL C ELEVATION
Scale: 1/2" = 1'-0"



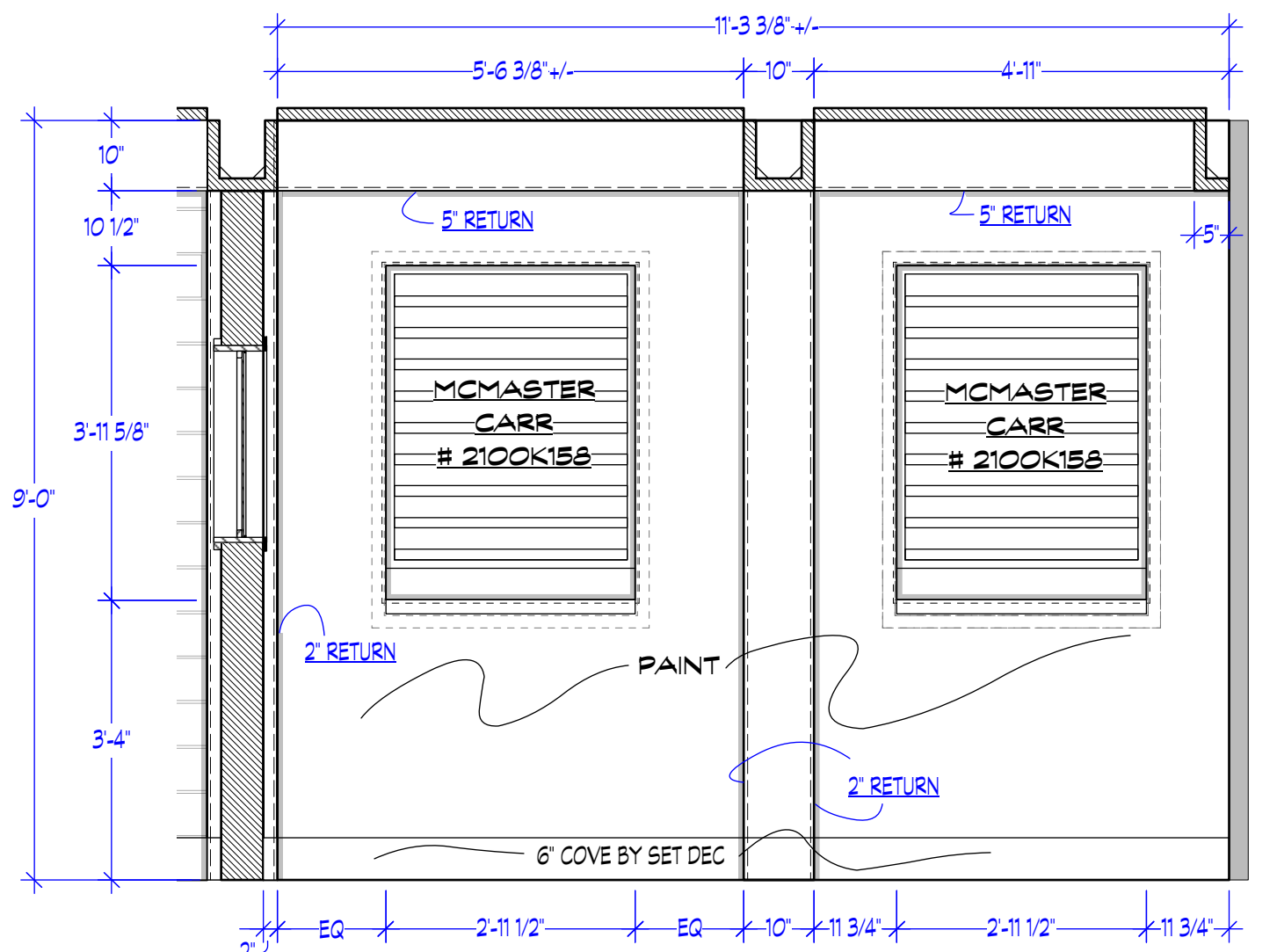
D INTERROGATION RM WALL D ELEVATION
Scale: 1/2" = 1'-0"



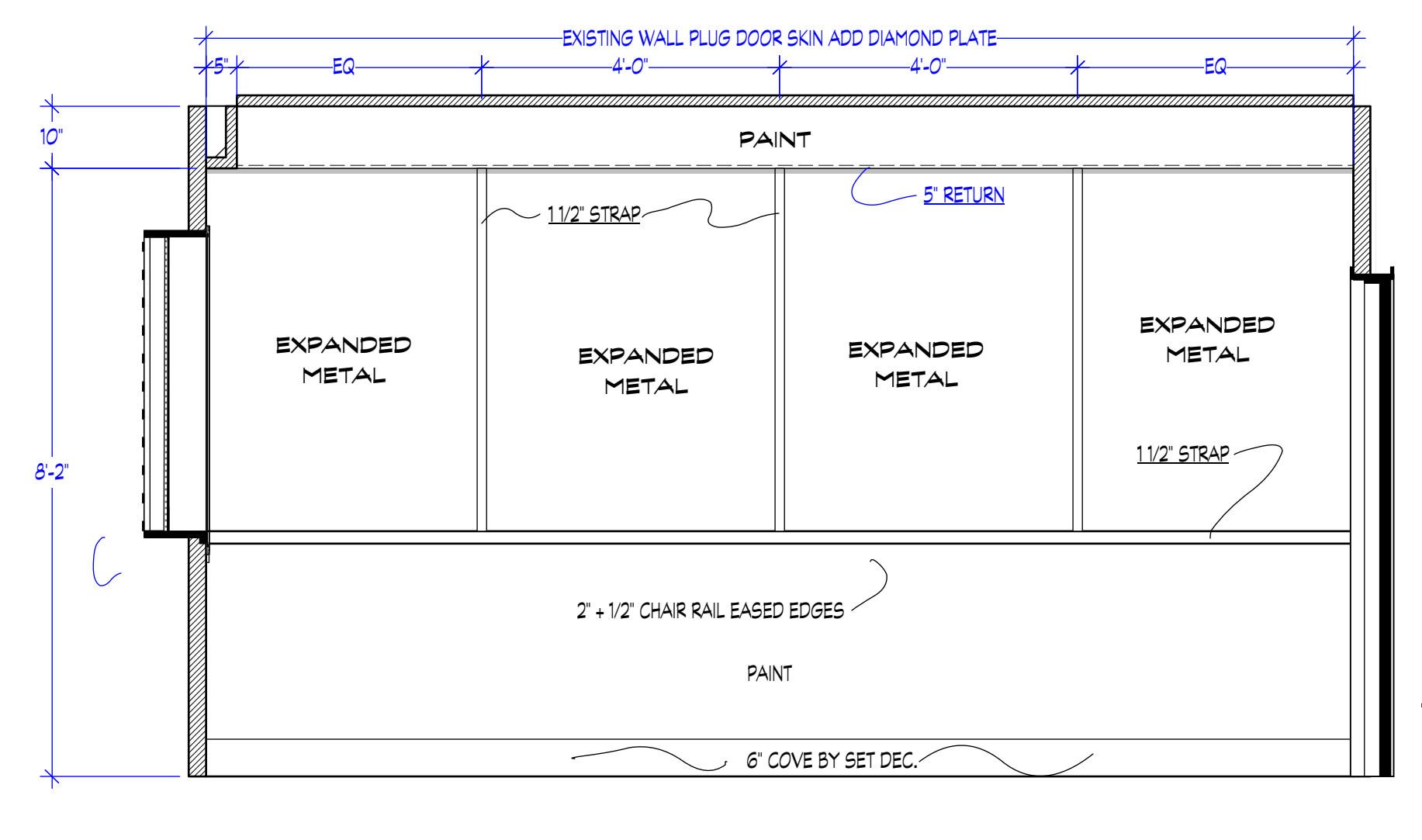
E INTERROGATION RM WALL E FLATTENED
Scale: 1/2" = 1'-0"



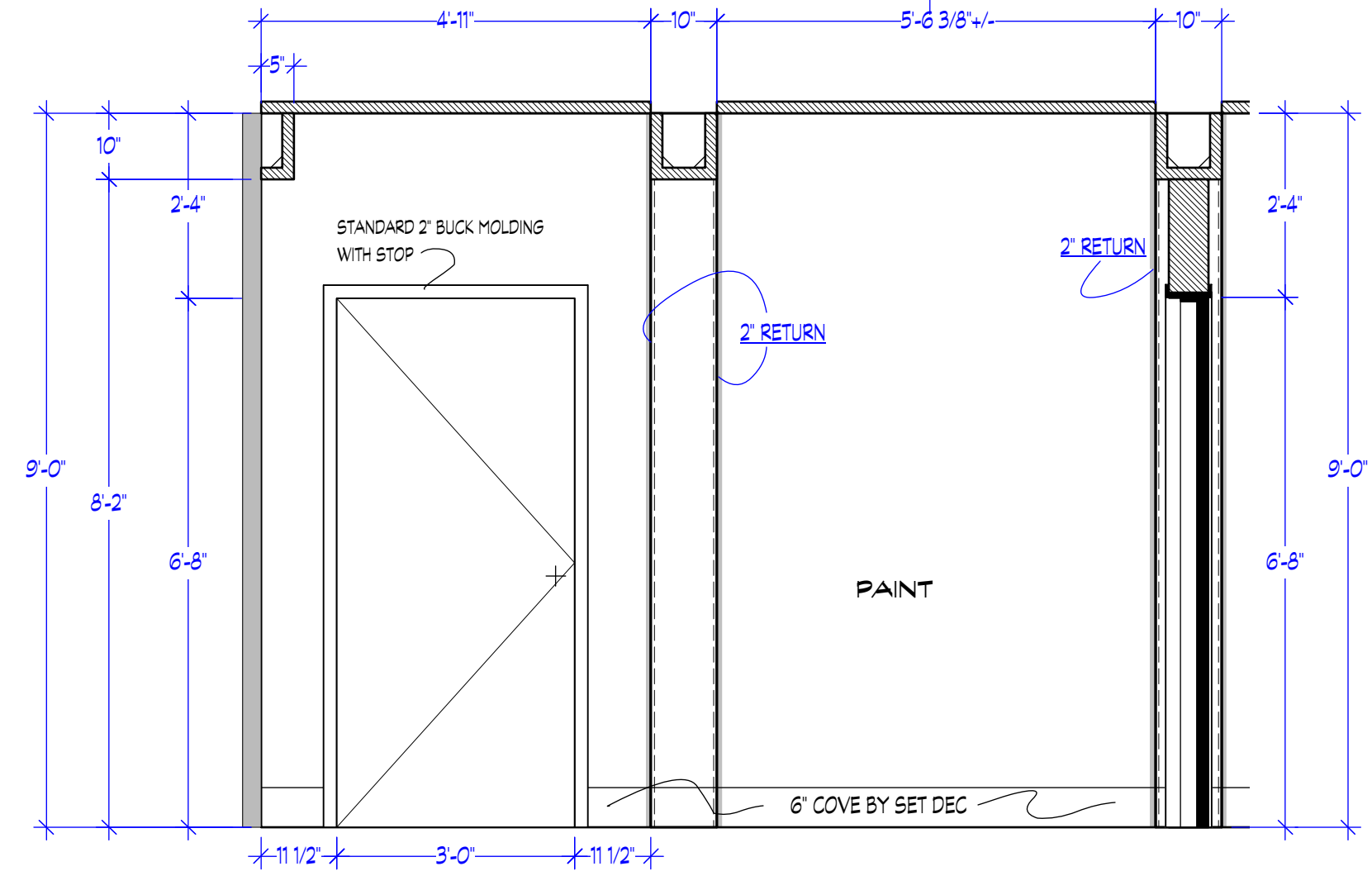
F INTERROGATION RM WALL F ELEVATION
Scale: 1/2" = 1'-0"



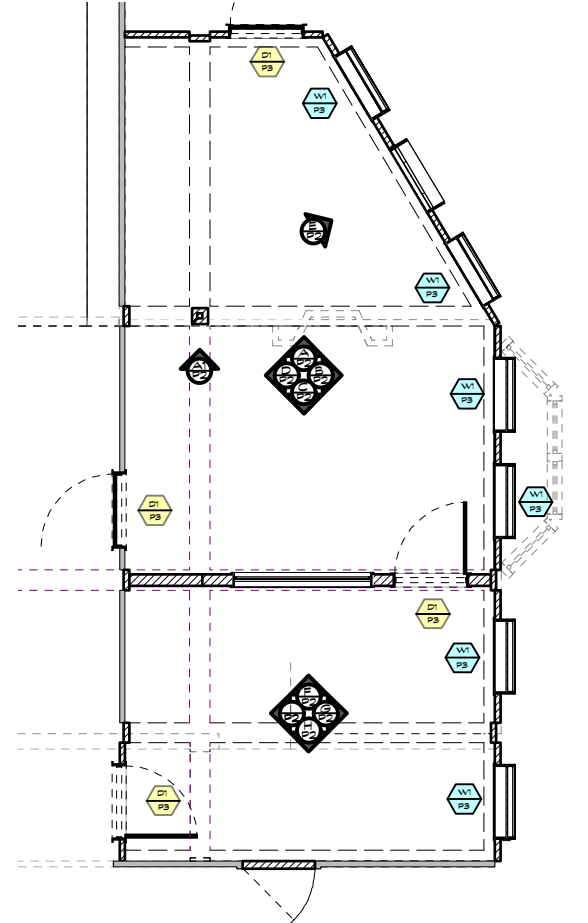
G INTERROGATION RM WALL G ELEVATION
Scale: 1/2" = 1'-0"



H INTERROGATION RM WALL H ELEVATION
Scale: 1/2" = 1'-0"



I INTERROGATION RM WALL I ELEVATION
Scale: 1/2" = 1'-0"



REFERENCE PLAN
Scale: 1/8" = 1'-0"

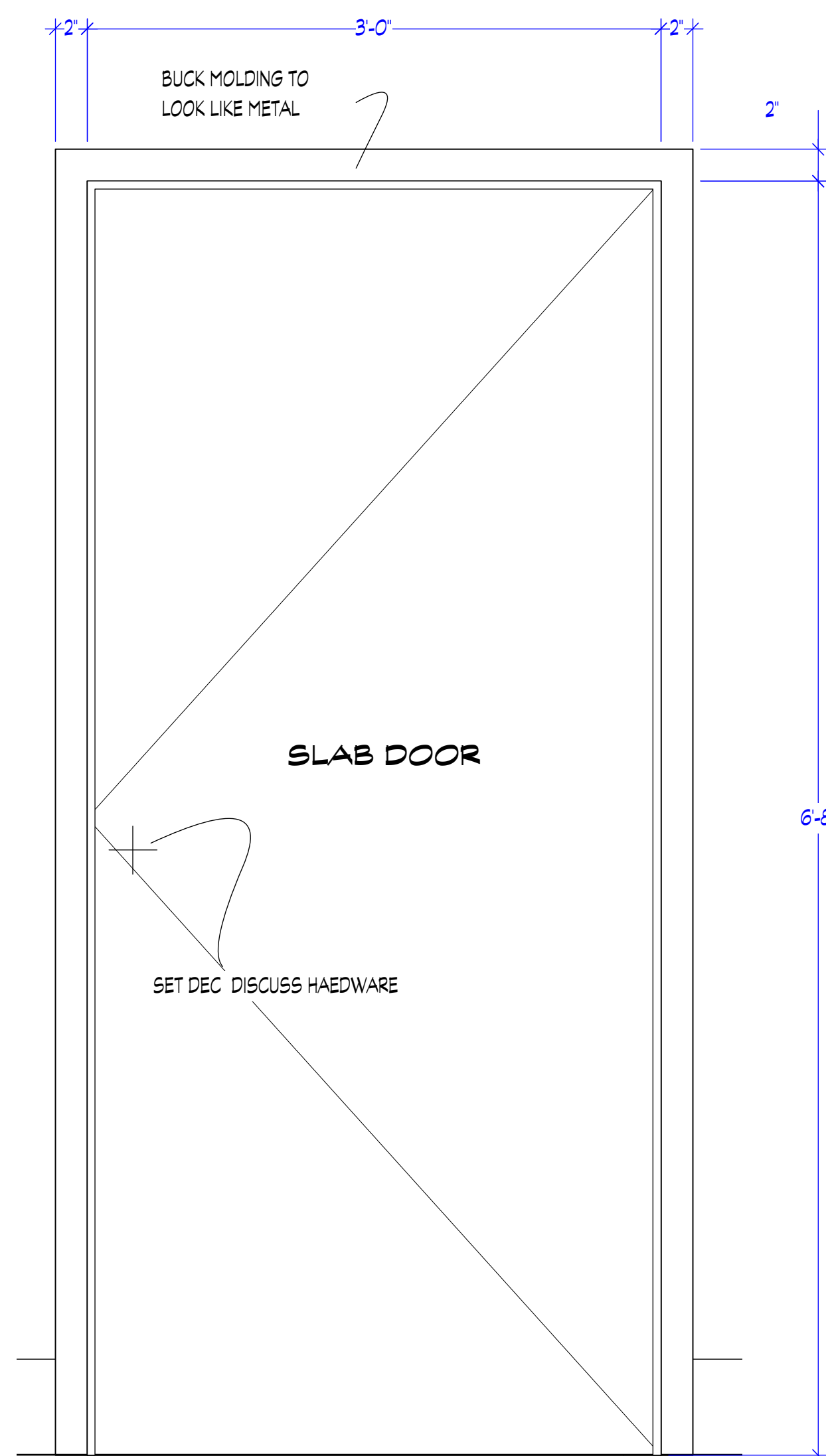


Revised 1/14/2018

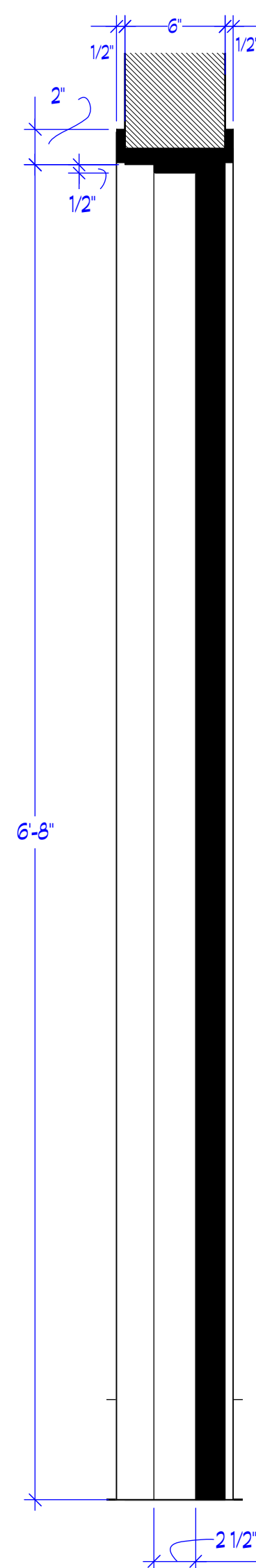
Episode: 310	Drawn By: MDF	Sheet No: 2
Set Name & Description: QUANTICO S3 INTERROGATION ROOM - ELEVATIONS	Set #: 231	Sheet Date:
Director: KEN FINK	NOTED	
Location: SILVERCUP STAGE 10		
Exc. Producer: MICHAEL SEITZMAN	Exc. Producer: RUSSELL FINE	Art Director: NATALIE WEINMANN
Line Producer: MOE BARDACH	Line Producer: RANDOL TAYLOR	Const. Coordinator: BRENT HAYWOOD
ABC Studios Silvercup Studios 42-22 22nd St 3rd Floor South LIC, NY 11101		
Prod. Designer: JEREMY CASSELLS		Set Decorator: SARAH DENNIS

quantico

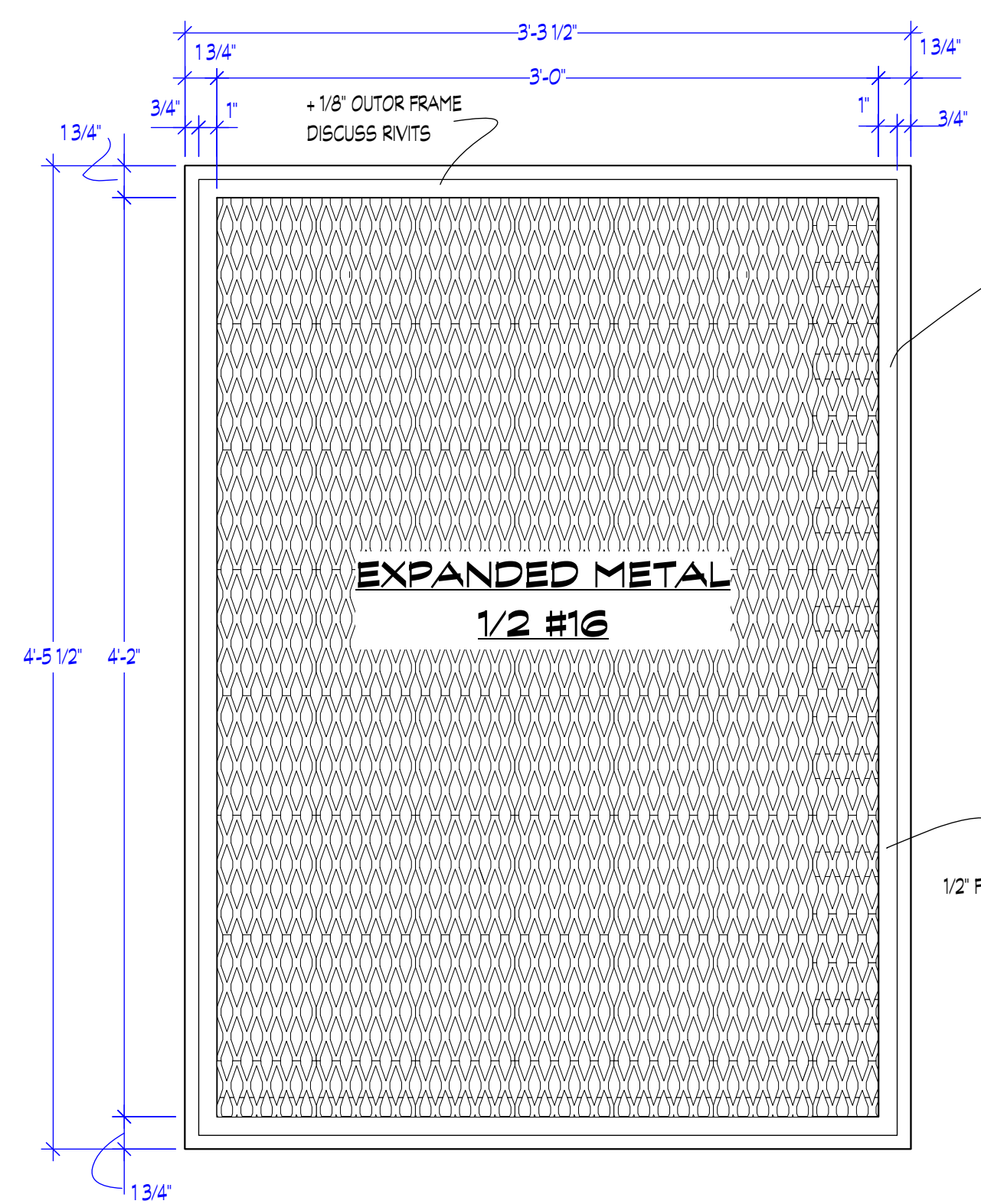
season three



D1 TYPICAL DOOR DETAIL
Scale: 1 1/2" = 1'-0"



SECTION @ CENTER

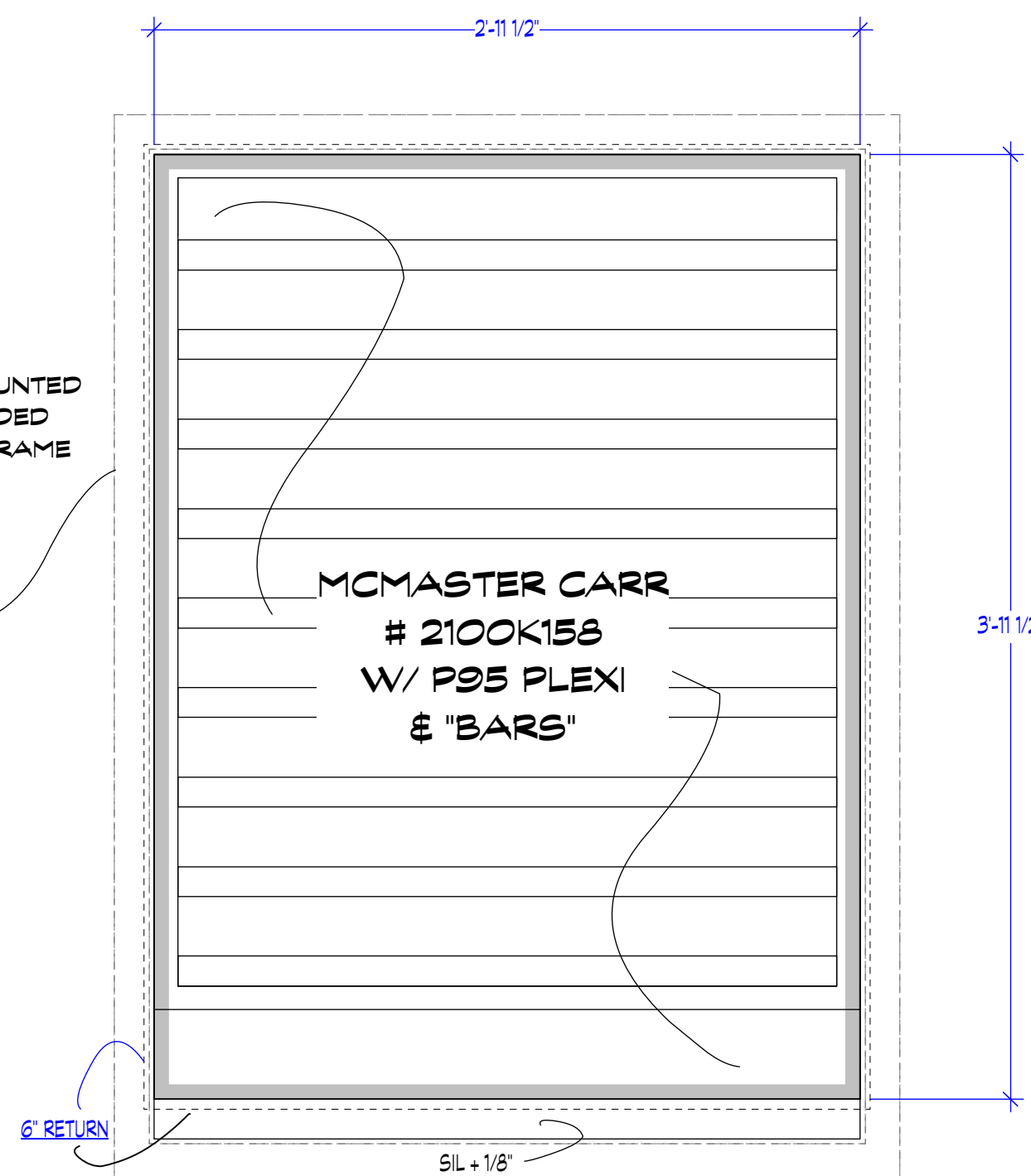


FLUSH MOUNTED EXPANDED METAL

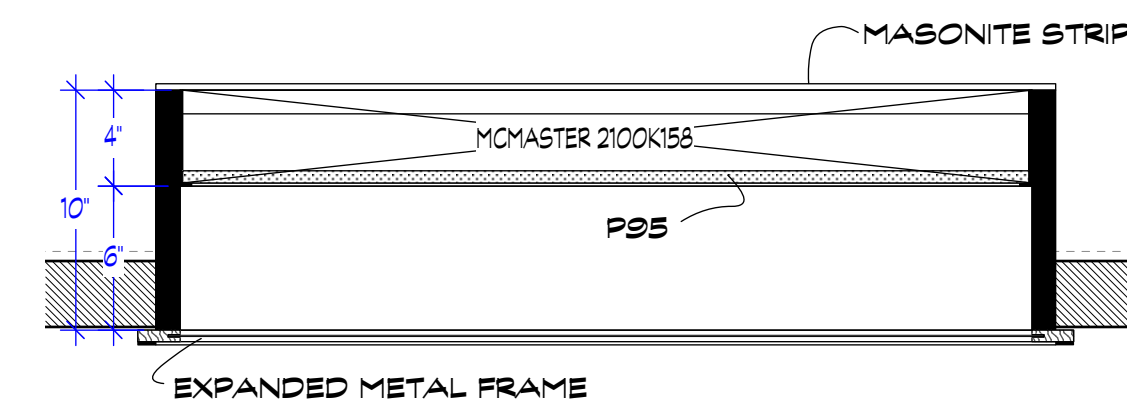


REFERENCE PHOTO

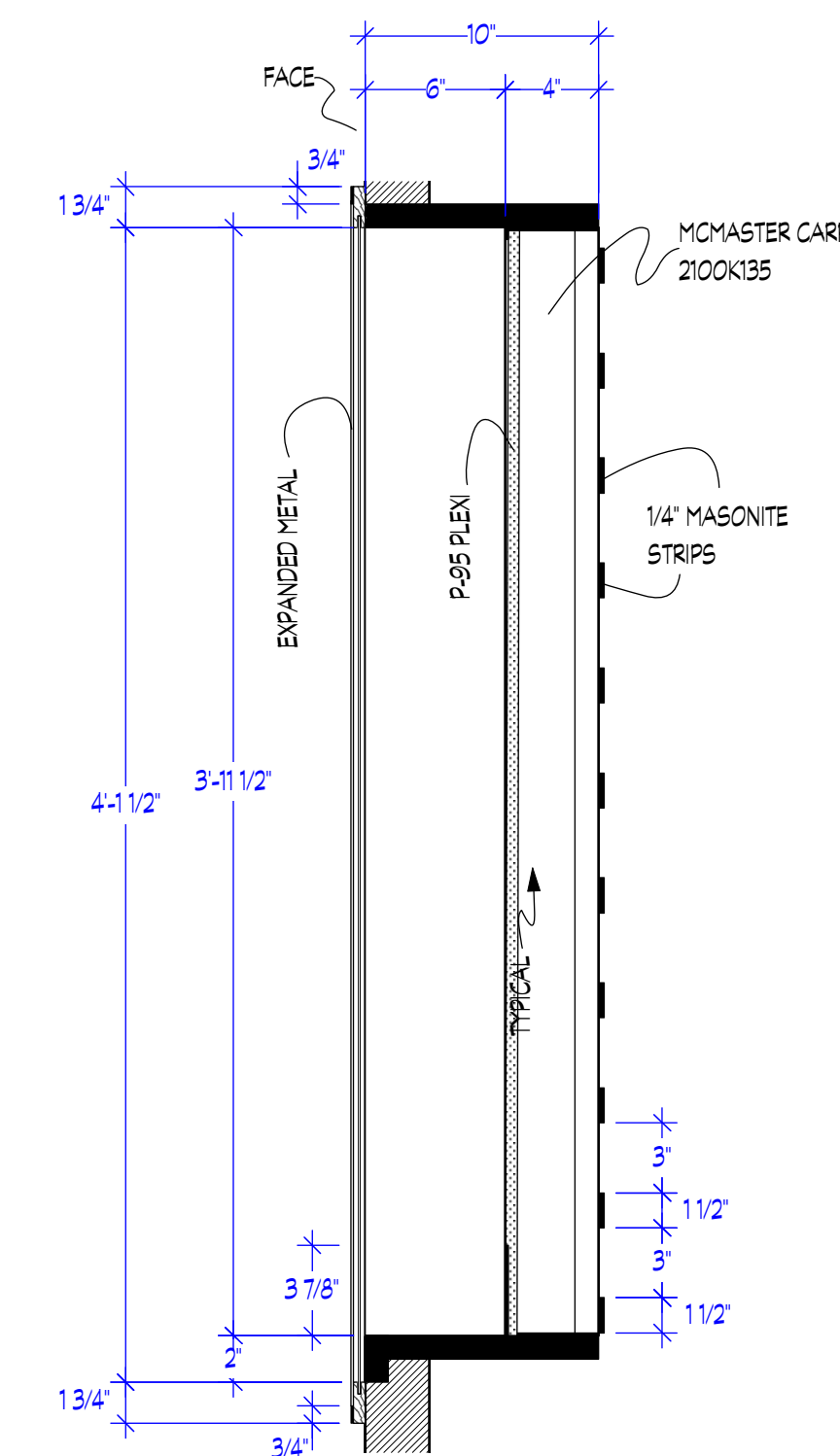
FACE MOUNTED
EXPANDED
METAL FRAME



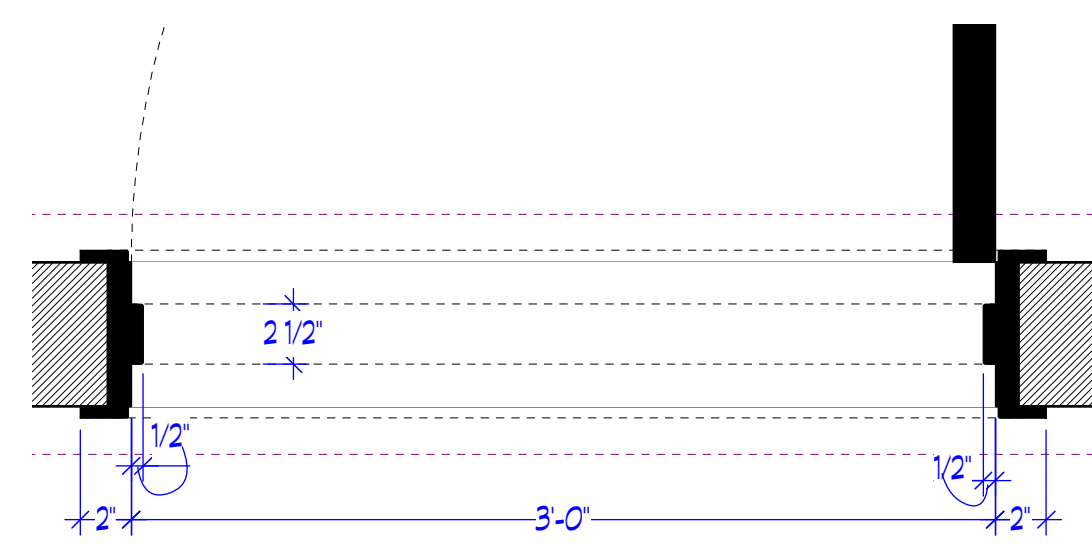
W1 WINDOW DETAIL
Scale: 1 1/2" = 1'-0"



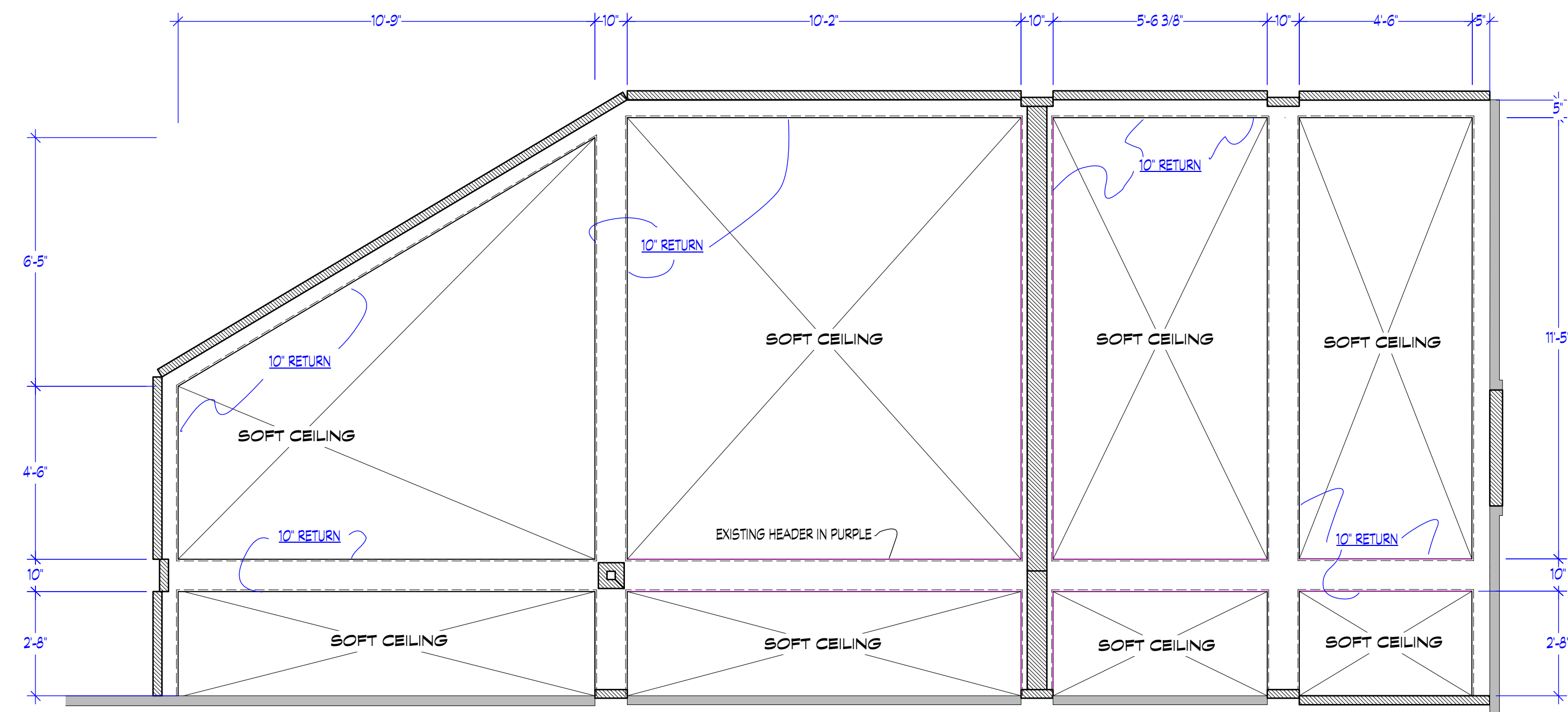
PLAN



SECTION @ CENTER



PLAN



RC REFLECTED CEILING VIEW
Scale: 3/8" = 1'-0"

NUMBER	D1	D2	W2
QTY	3	1	5
TYPE	ENTRANCE	ENTRANCE	PRISON
ELEVATION			
DOOR OPENING SIZE	36 X 84	36 X 84	35.5 X 47.5
DOOR MATERIAL	WOOD	WOOD	WOOD
FINISH	PAINT	PAINT	PAINT
DETAIL SHEET	3	2	3
HARDWARE STYLE	INSTITUTIONAL	INSTITUTIONAL	
ENTRY	1	1	X
ESCUTCHEON PLATE	X	X	X
KNOB AND LOCK	1	1	X
HARDWARE FINISH	PER SET DEC	PER SET DEC	PER SET DEC
HINGE QTY	3 PER	3 PER	X
NOTES			MCMMASTER CARR # 6420T370



RELEASED 2/14/2018

Episode: 310 Set #: 231 Scale:	Drawing Date: 2/14/18 Sheet No.: 3	Set Name & Description: QUANTICO S3 INTERROGATION ROOM - DETAILS Director: KEN FINK Location: SILVERCUP STAGE 10	Exc. Producer: MICHAEL SEITZMAN Line Producer: MOE BARDACH ABC Studios Silvercup Studios 42-22 22nd St 3rd Floor South LIC, NY 11101 Prod. Designer: JEREMY CASSELLS Set Decorator: SARAH DENNIS	Exc. Producer: RUSSELL FINE UPM: RANDOL TAYLOR Art Director: NATALIE WEINMANN Constr. Coordinator: BRENT HAYWOOD
--	---	---	--	---

three