

RELEASED 02/15/2019

MEYER'S BAT CAVE TECHNICAL PLAN
SCALE: 1/2" = 1'-0"

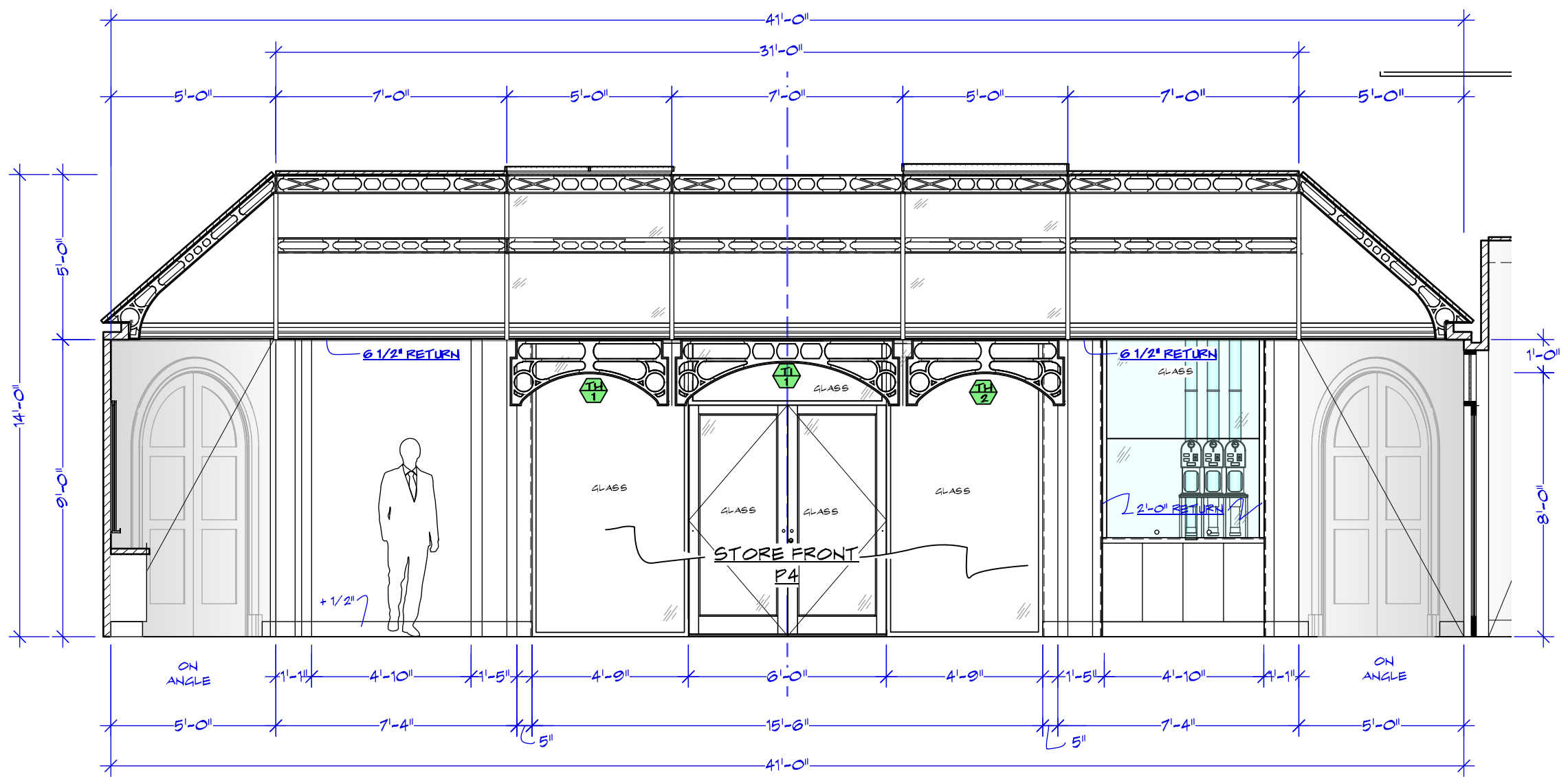
TRUE SIZE SCALE CHECK
3" 2" 1" 0"

2/15/2019 REVISED DEMINIONS SEE REVISION CLOUDS

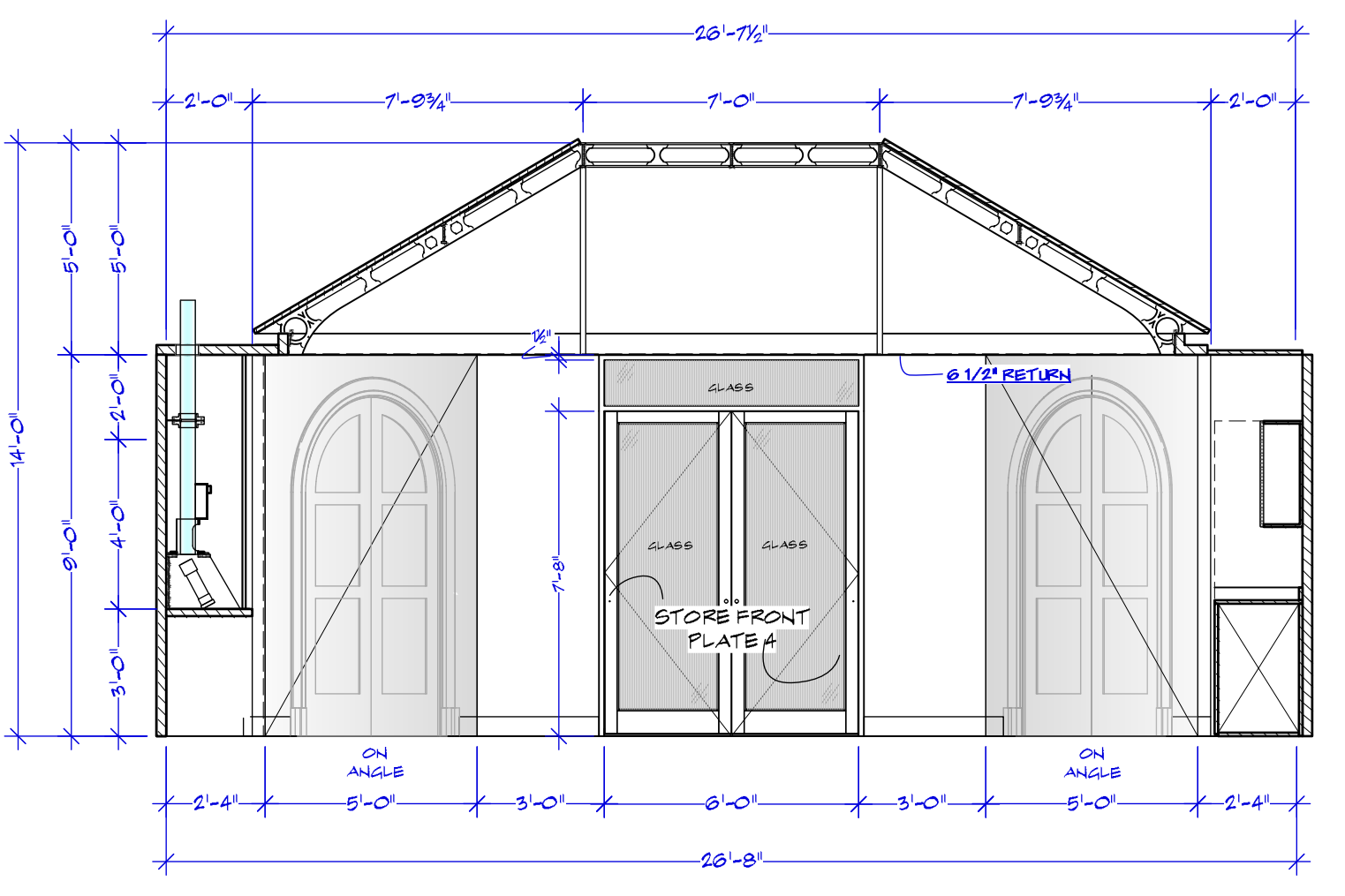
Exec Producer: NIKKI TOSCH Line Producer: BILL SELL Address: STEINER STUDIO 15 WASHINGTON AVE Prod. Designer: CURT BEECH Set Decorator: SUSAN MARSHAL		Producer: JERRY KUPFER UPM: BILL SELL Art Director: MARCO MUDD Const. Coordinator: NILES NORTON		Set Name & Description: MEYER'S BAT CAVE TECHNICAL PLAN Director: VARIOUS Location: STAGE 28		Episode: AMTRT Set #: 106 Scale: 1/2" = 1'-0"		Drawing Date: 4/6/2020 Drawn by: M. FAHRER Sheet No.: 106-01	
---	--	--	--	--	--	--	--	---	--



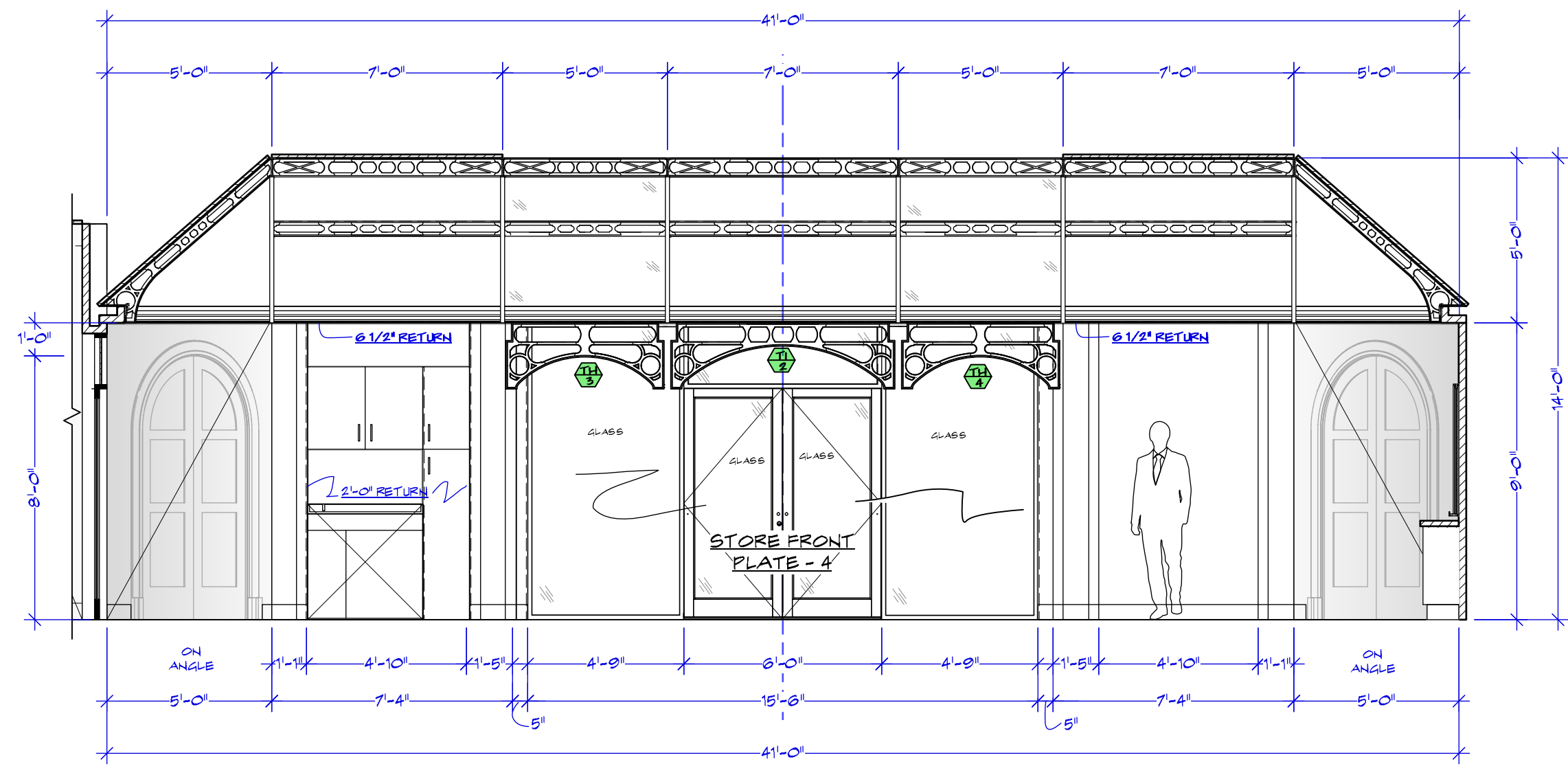
106_Meyer's Bat Cave_Elevations.vwx



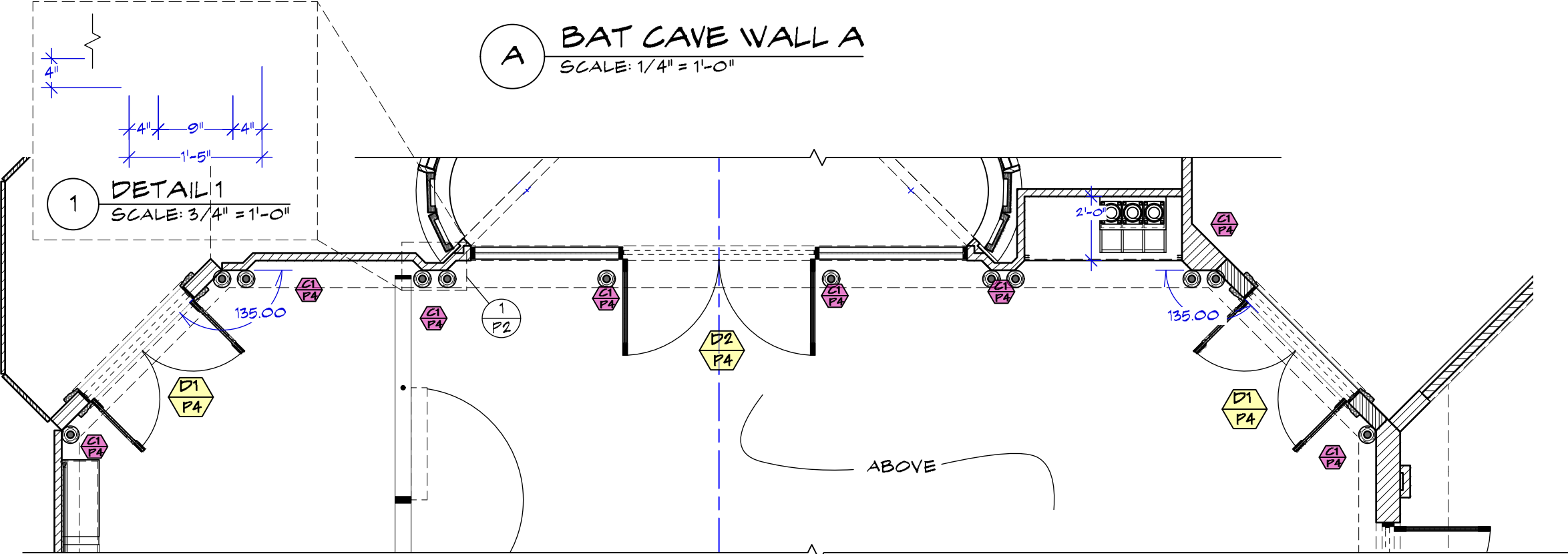
A BAT CAVE WALL A
SCALE: 1/4" = 1'-0"



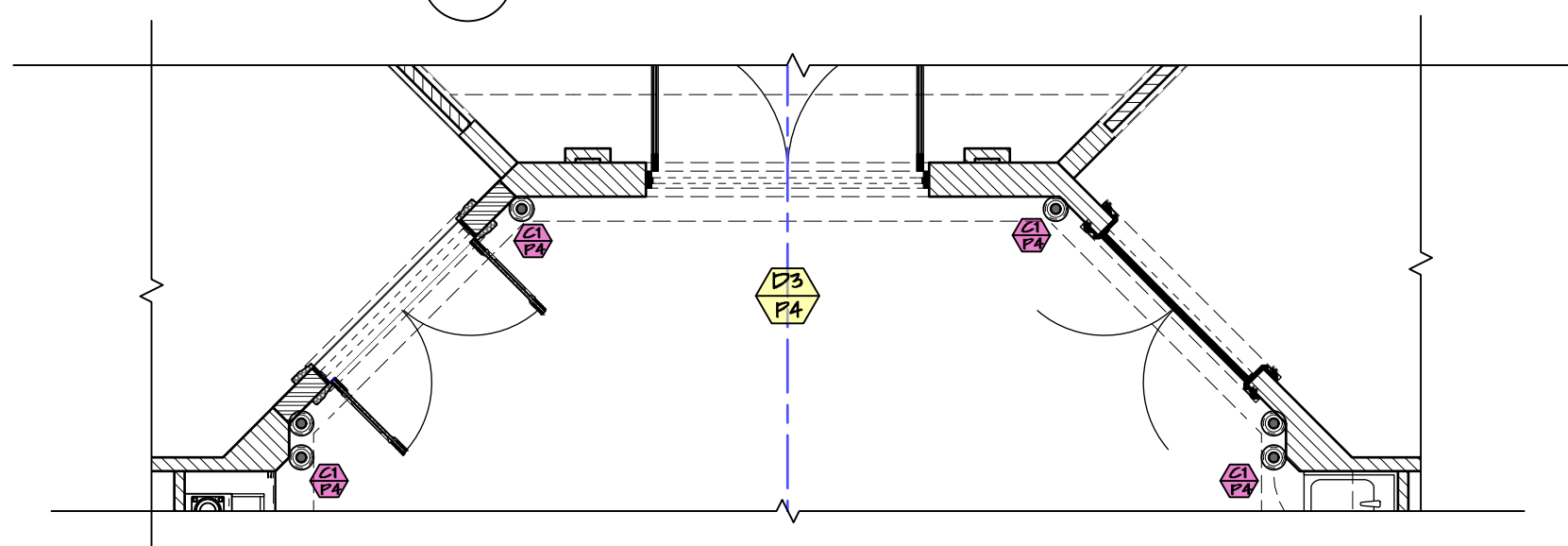
B BAT CAVE WALL B
SCALE: 1/4" = 1'-0"



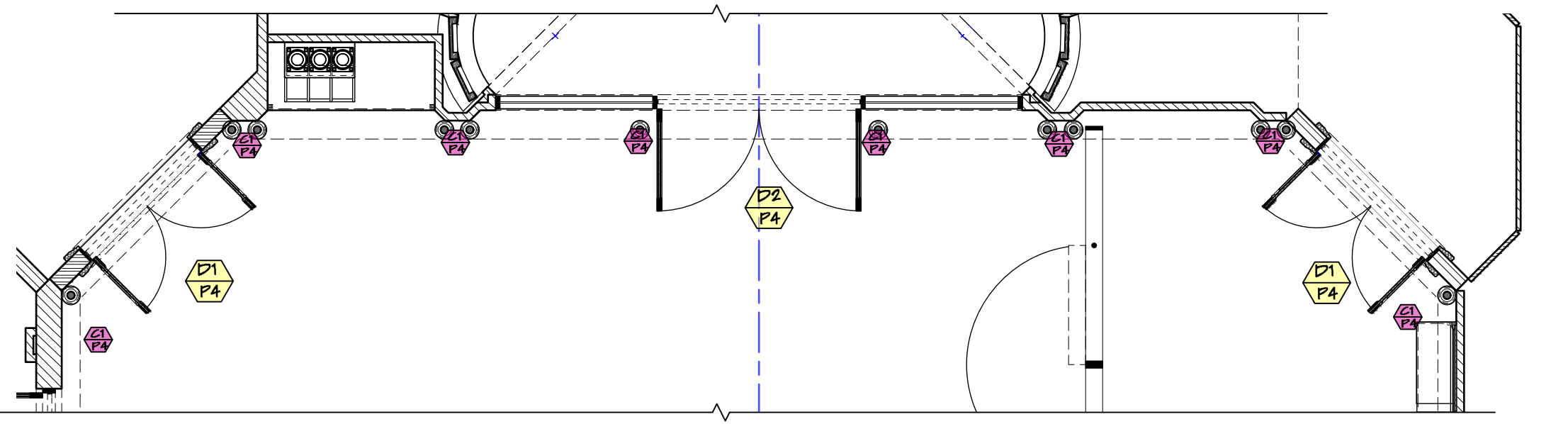
C BAT CAVE WALL C
SCALE: 1/4" = 1'-0"



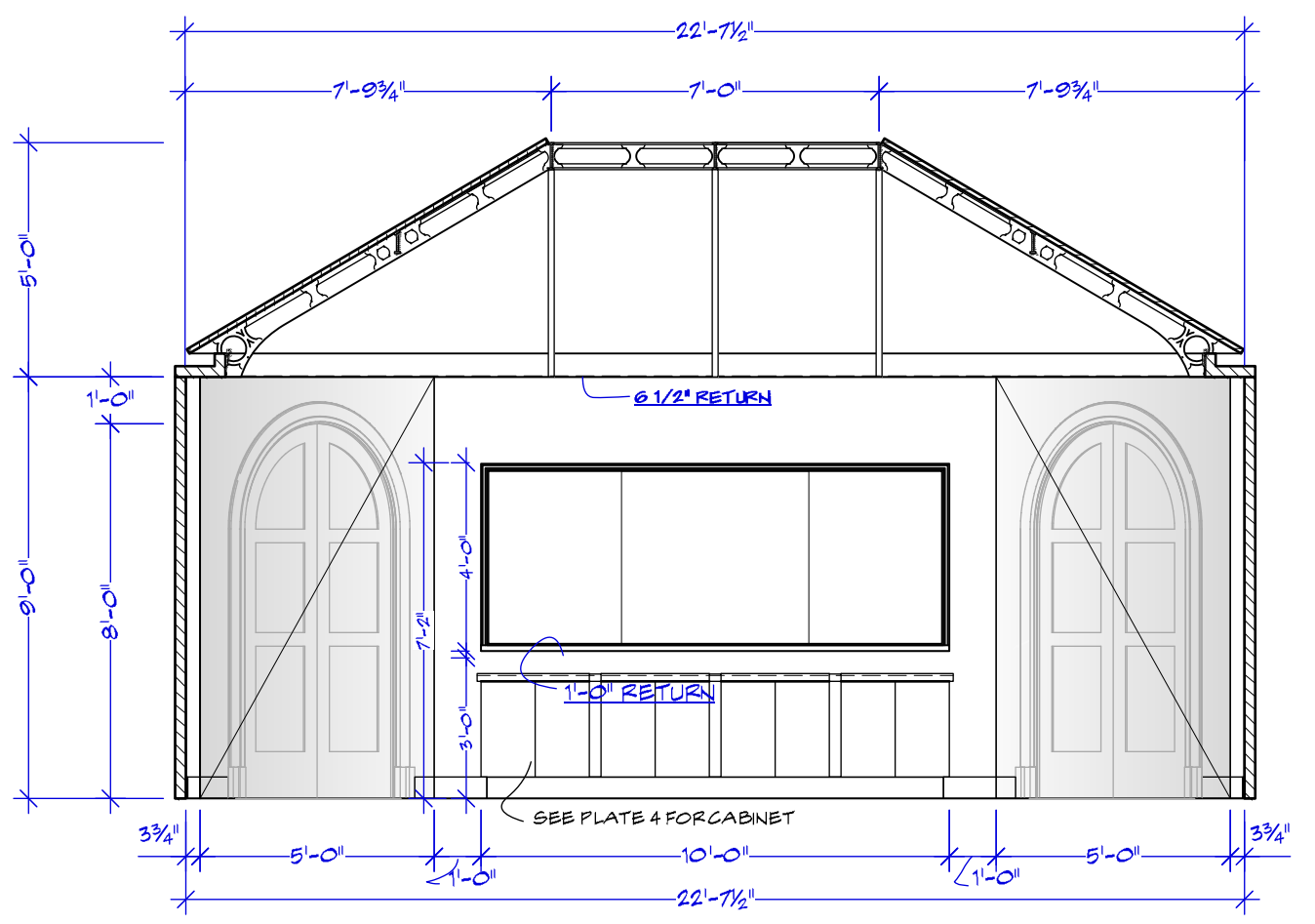
WALL A PLAN
SCALE: 1/4" = 1'-0"



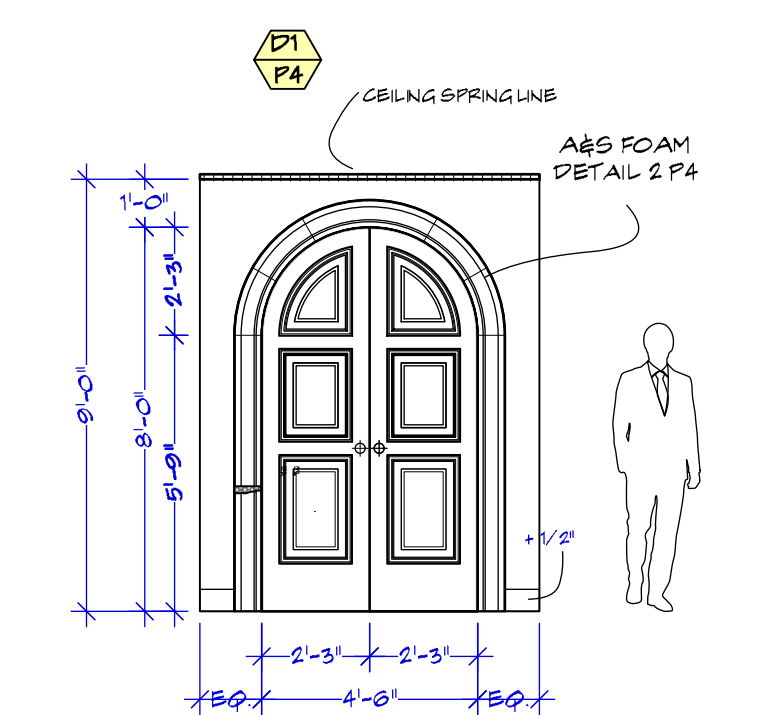
WALL B PLAN
SCALE: 1/4" = 1'-0"



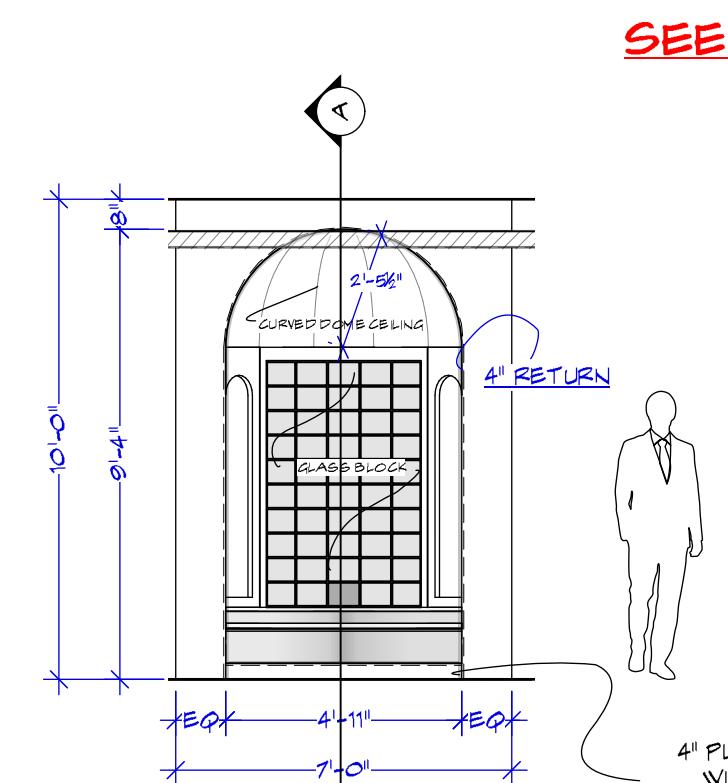
WALL C PLAN
SCALE: 1/4" = 1'-0"



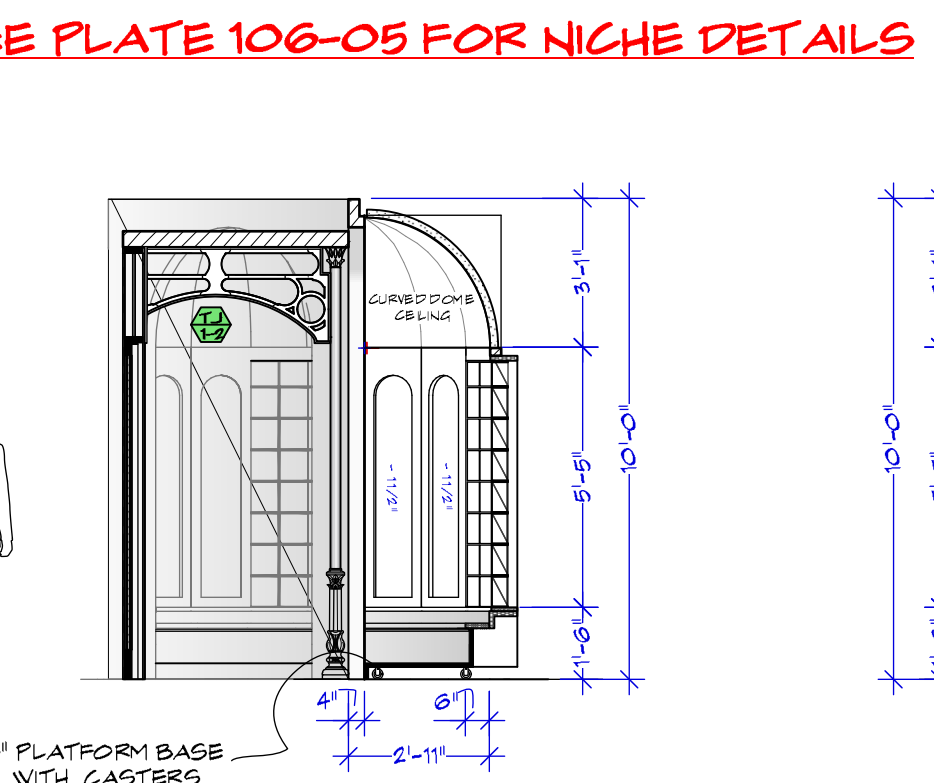
D BAT CAVE WALL D
SCALE: 1/4" = 1'-0"



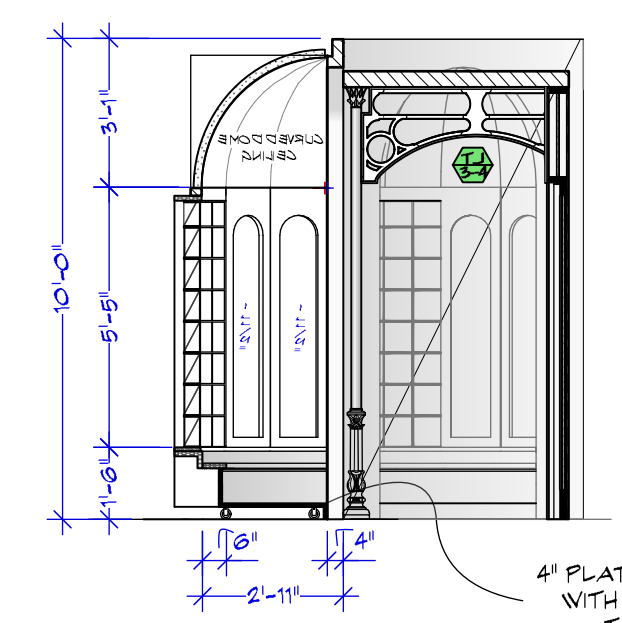
D1 TYPICAL DOOR D1 MAKE 4
SCALE: 1/4" = 1'-0"



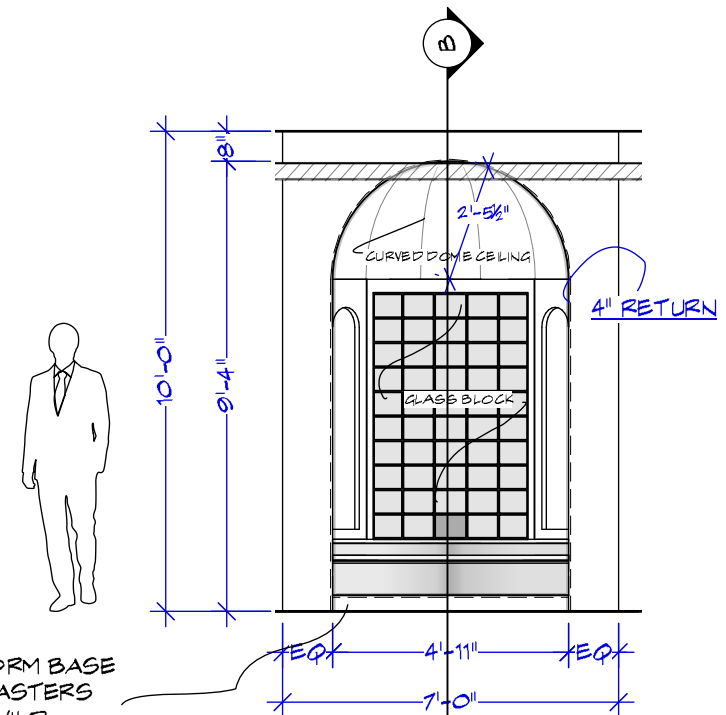
E ARCHWAYS E1-E3
SCALE: 1/4" = 1'-0"



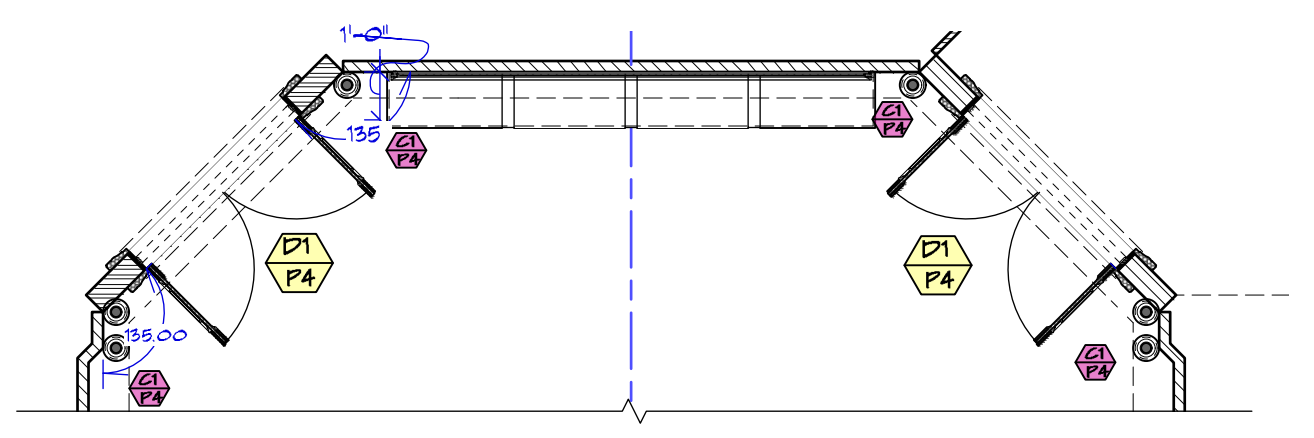
A-A SECTION A-A
SCALE: 1/4" = 1'-0"



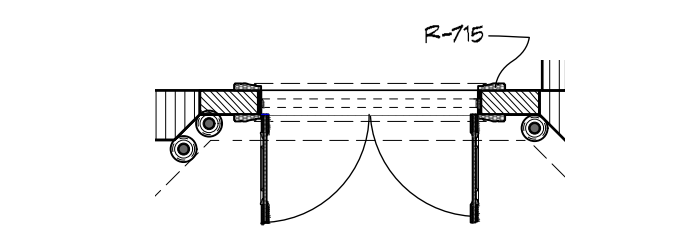
B-B SECTION B-B
SCALE: 1/4" = 1'-0"



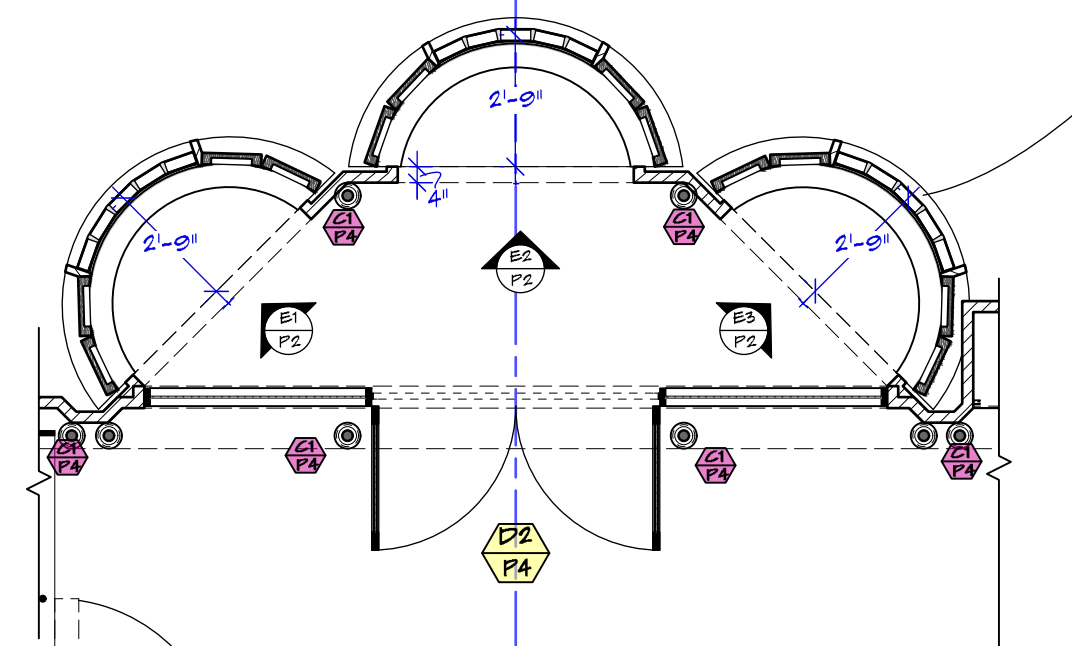
F ARCHWAYS F1-F3
SCALE: 1/4" = 1'-0"



WALL D PLAN
SCALE: 1/4" = 1'-0"



TYPICAL DOOR PLAN
SCALE: 1/4" = 1'-0"



E1-E3 PLAN
SCALE: 1/4" = 1'-0"



F1-F3 PLAN
SCALE: 1/4" = 1'-0"

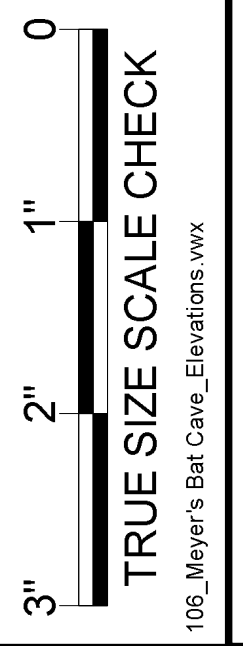
SEE PLATE 106-05 FOR NICHE DETAILS

4" PLATFORM BASE WITH CASTERS TO WILD

4" PLATFORM BASE WITH CASTERS TO WILD

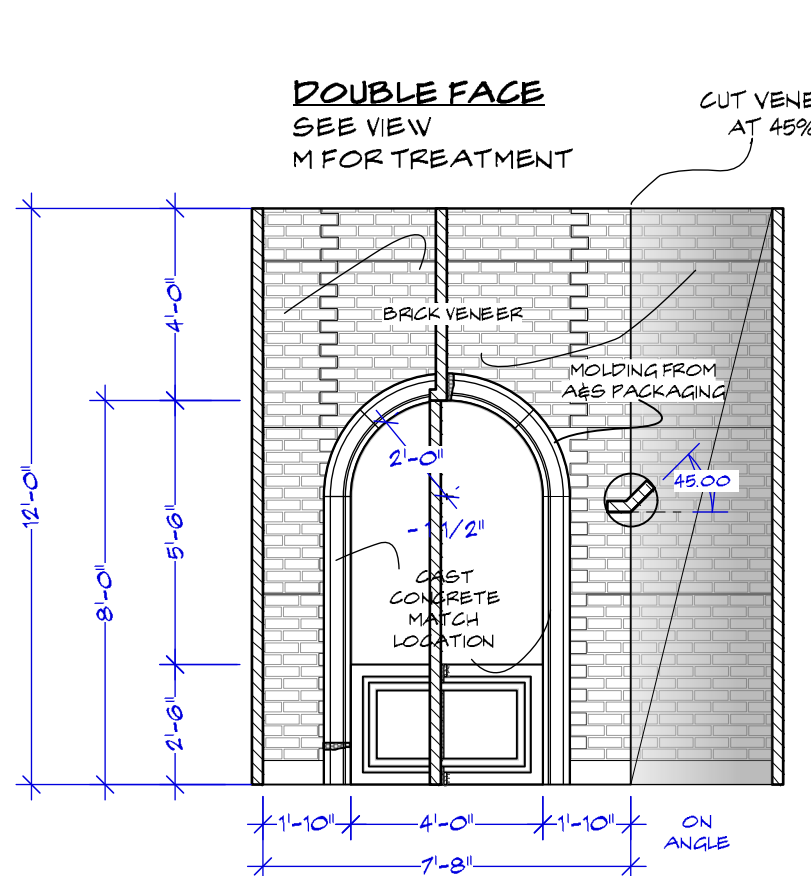
NOTE:
CASTER ALL NICHE WINDOW UNITS

SEE PLATE 106-05 FOR NICHE DETAILS

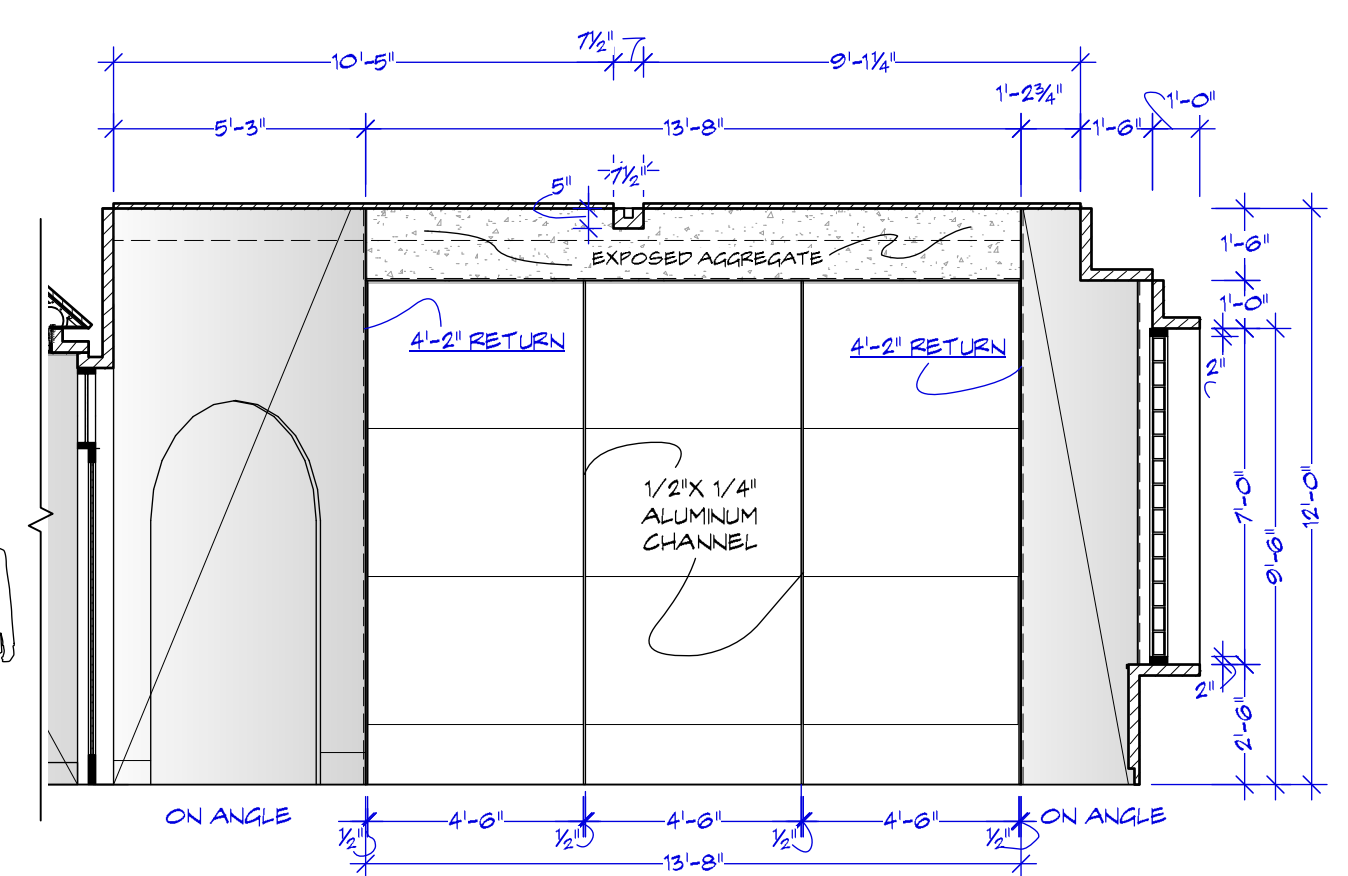


Exec Producer: NIKKI TOSCANO Line Producer: BILL SELL Address: STEINER STUDIO 15 WASHINGTON AVE Prod. Designer: CURT BEECH Set Decorator: SUSAN MARSHAL	Producer: JERRY KUPFER UPM: BILL SELL Art Director: MARCO MUDD Const. Coordinator: NILES NORTON	Set Name & Description: MEYER'S BAT CAVE ELEVATIONS	Episode: AMORT	Drawing Date: 4/6/2020	Drawn By: M. FAHRER
	Director: VARIOUS Location: STAGE 28	Set #: 106	Scale: NOTED	Shot Date: XX/XX/2018	Sheet No.: 106-02

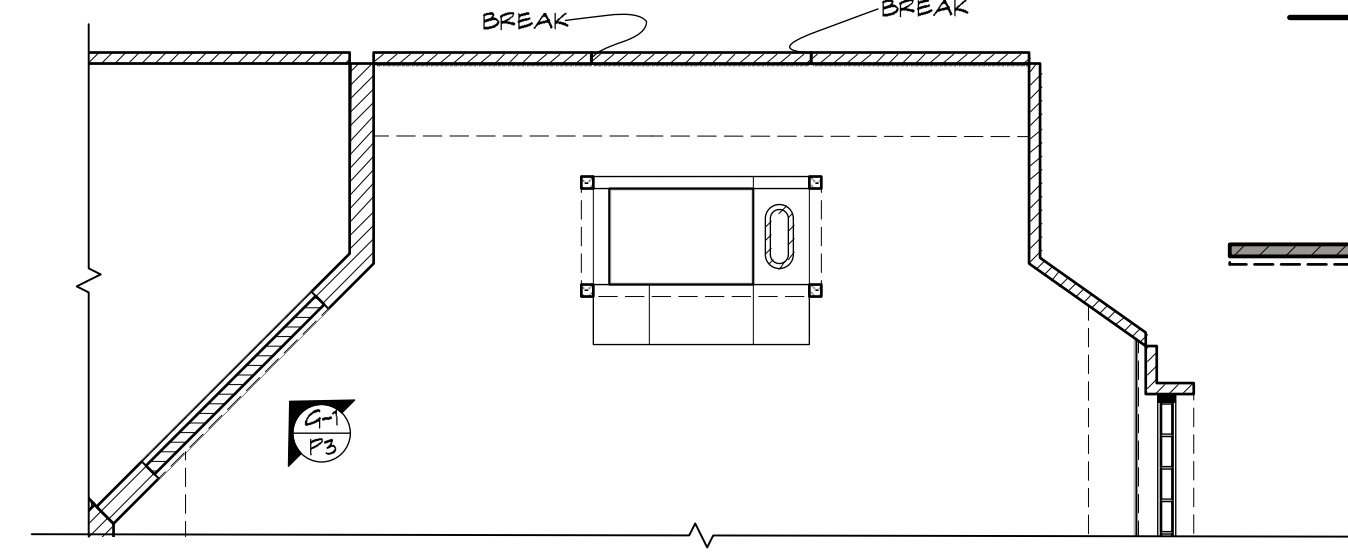




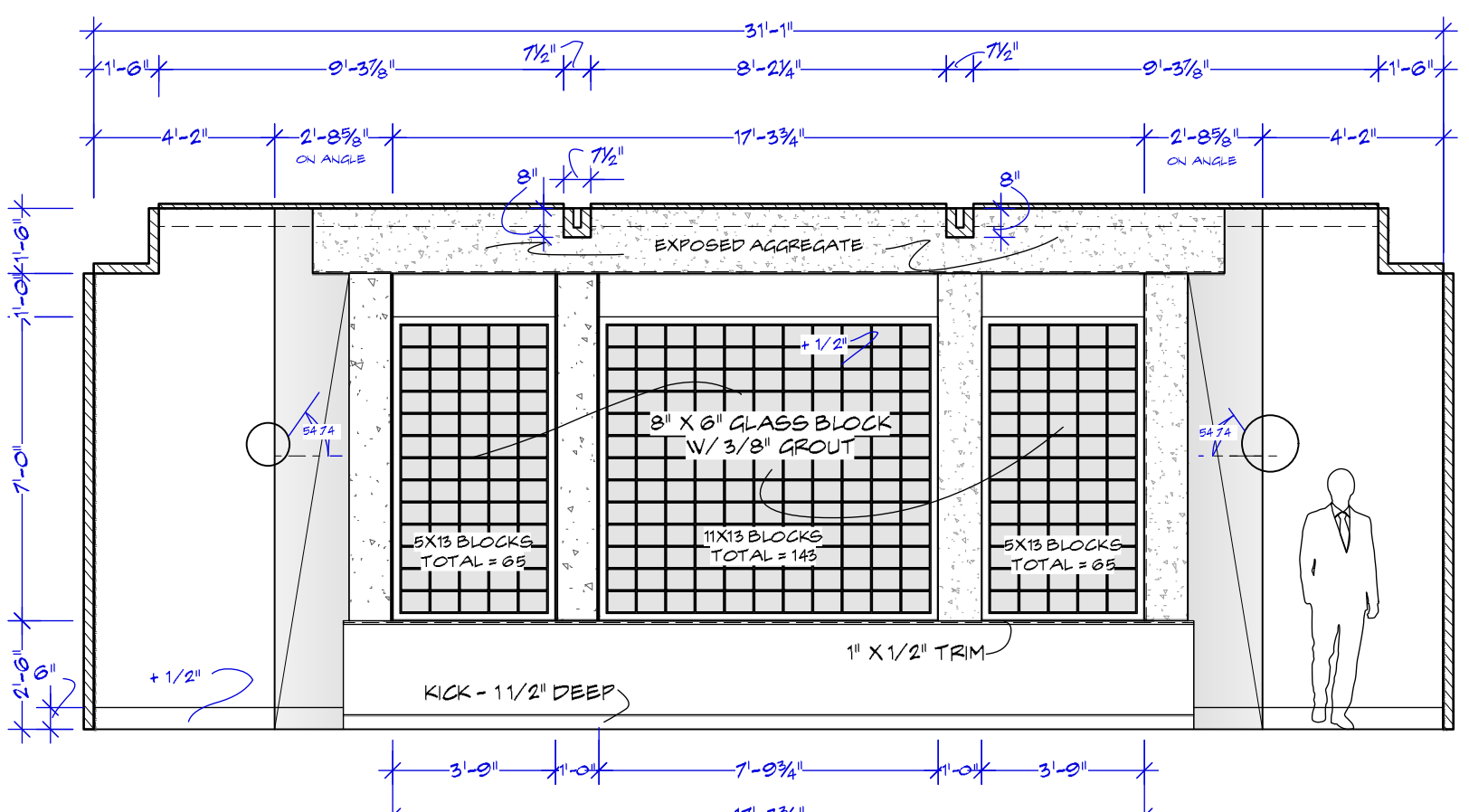
G-1 ARCHWAY
SCALE: 1/4" = 1'-0"



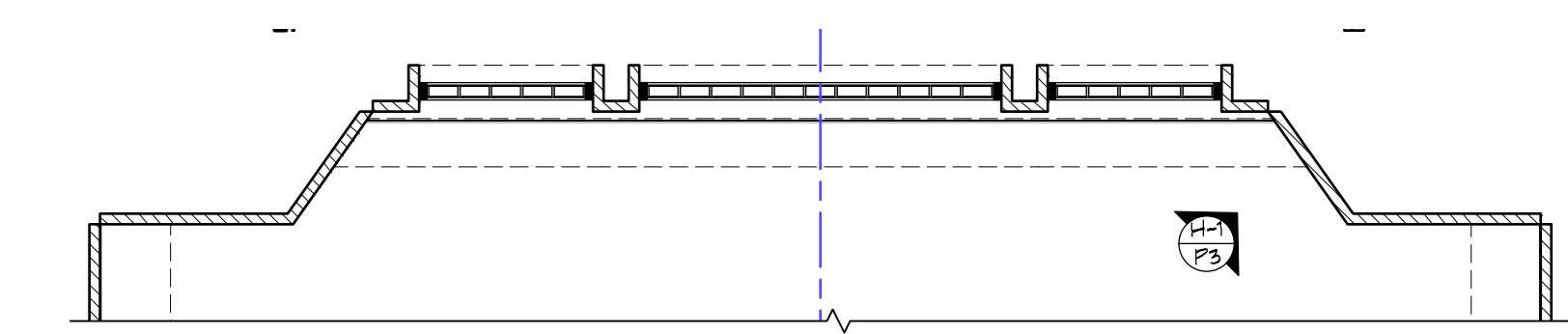
G BAT CAVE LOUNGE WALL G
SCALE: 1/4" = 1'-0"



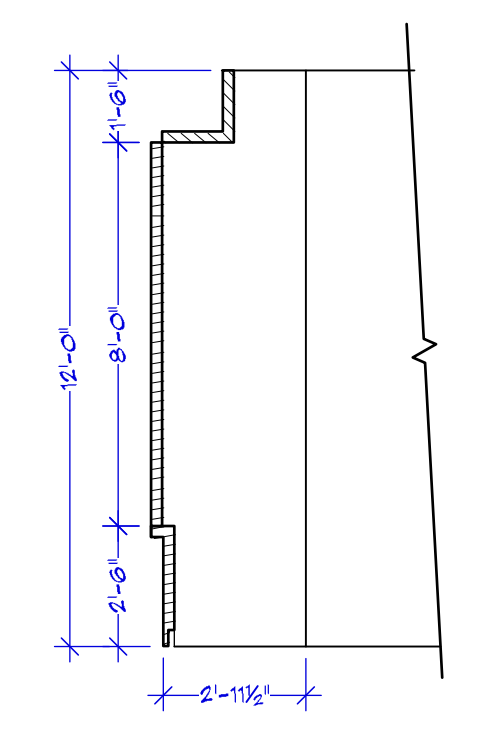
WALL G PLAN
SCALE: 1/4" = 1'-0"



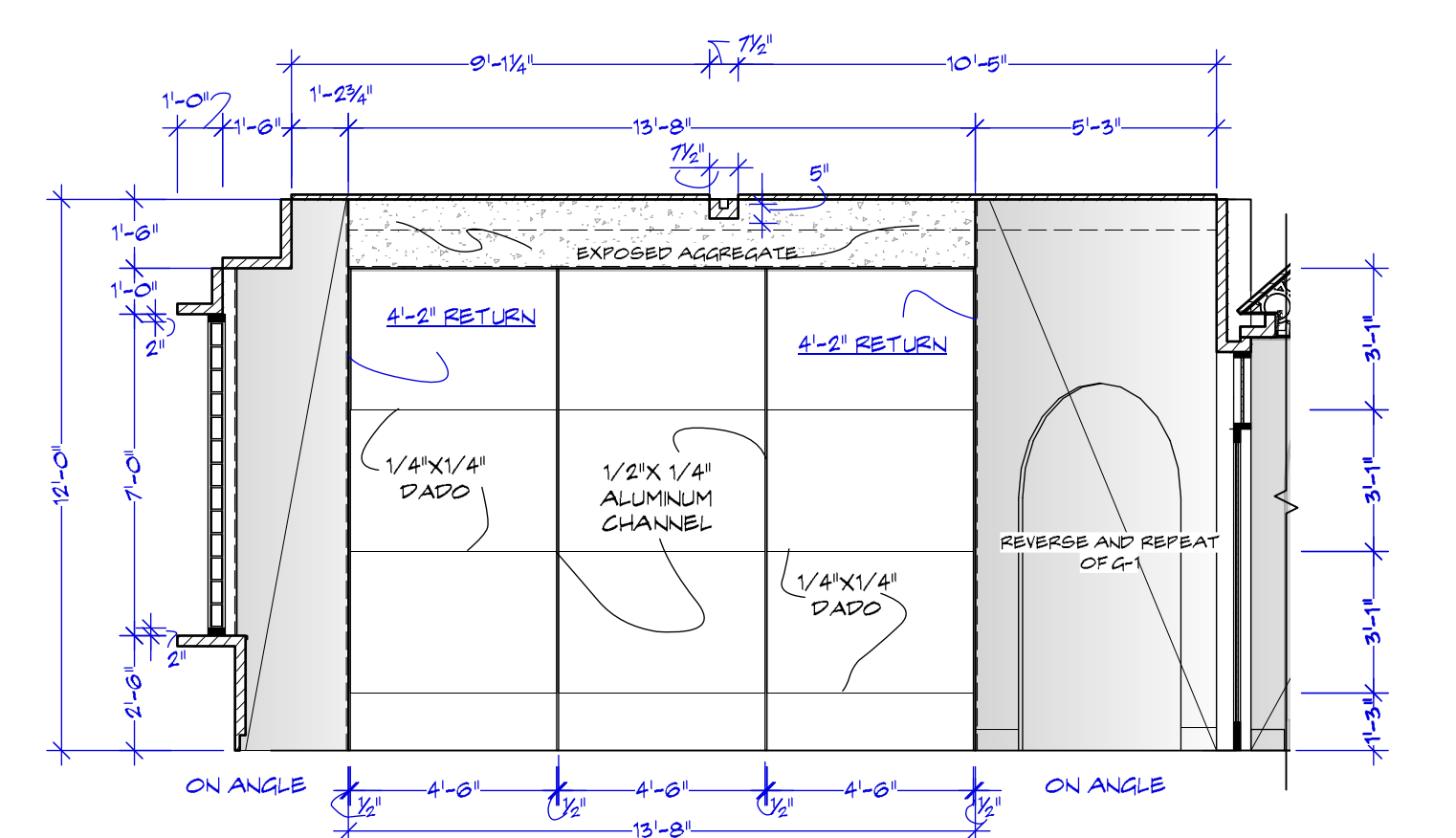
H BAT CAVE LOUNGE WALL H
SCALE: 1/4" = 1'-0"



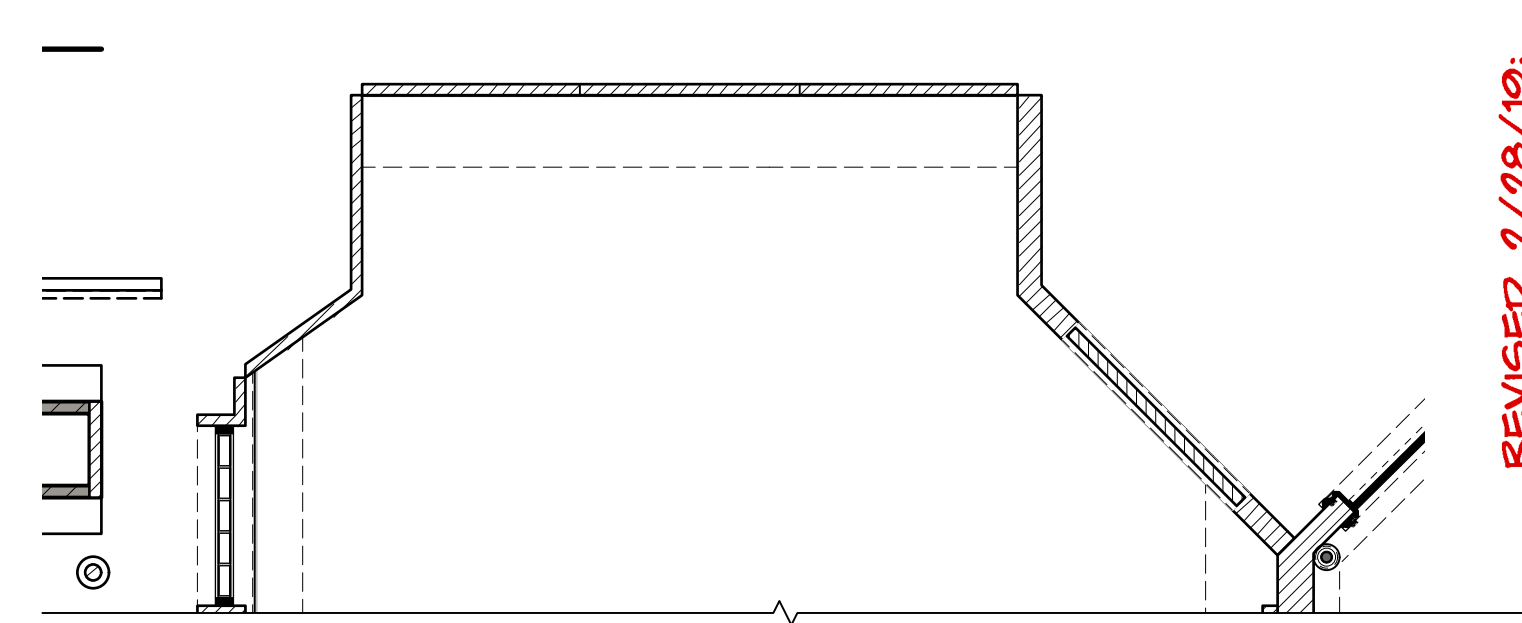
WALL H PLAN
SCALE: 1/4" = 1'-0"



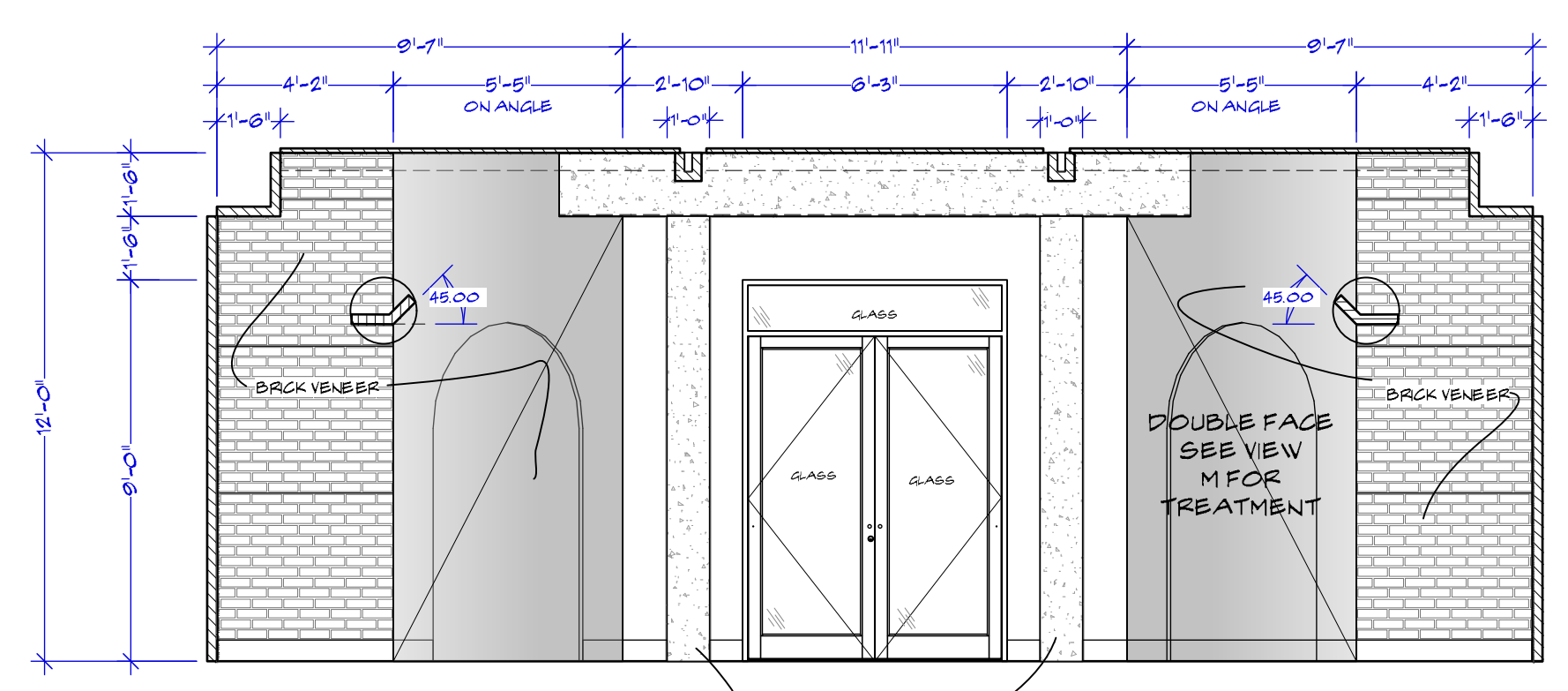
H-1 H-1 ANGLED WALL
SCALE: 1/4" = 1'-0"



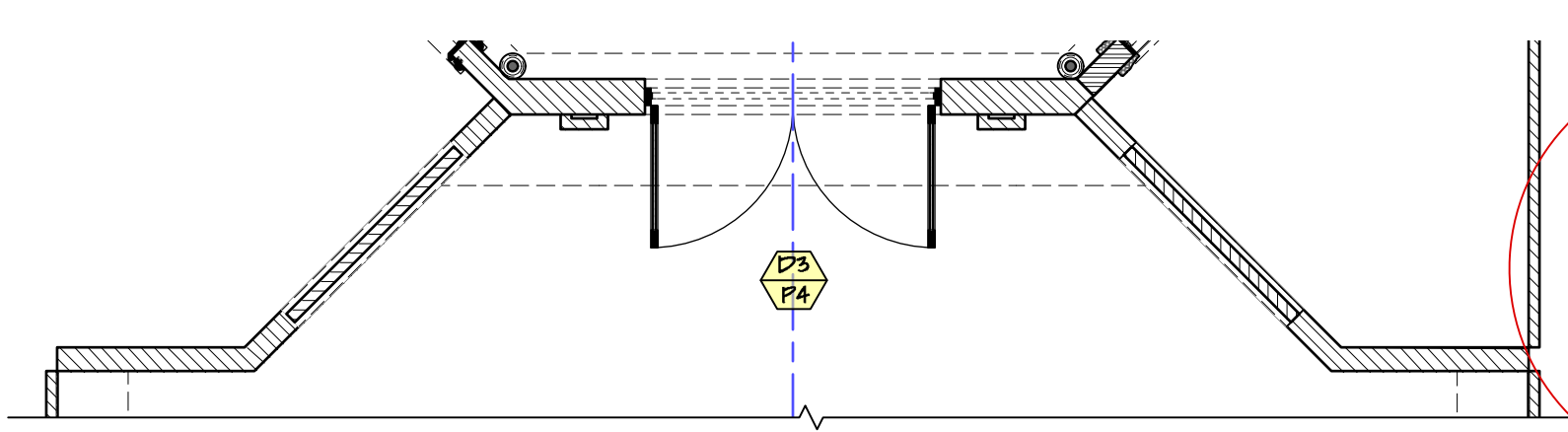
I BAT CAVE LOUNGE WALL I
SCALE: 1/4" = 1'-0"



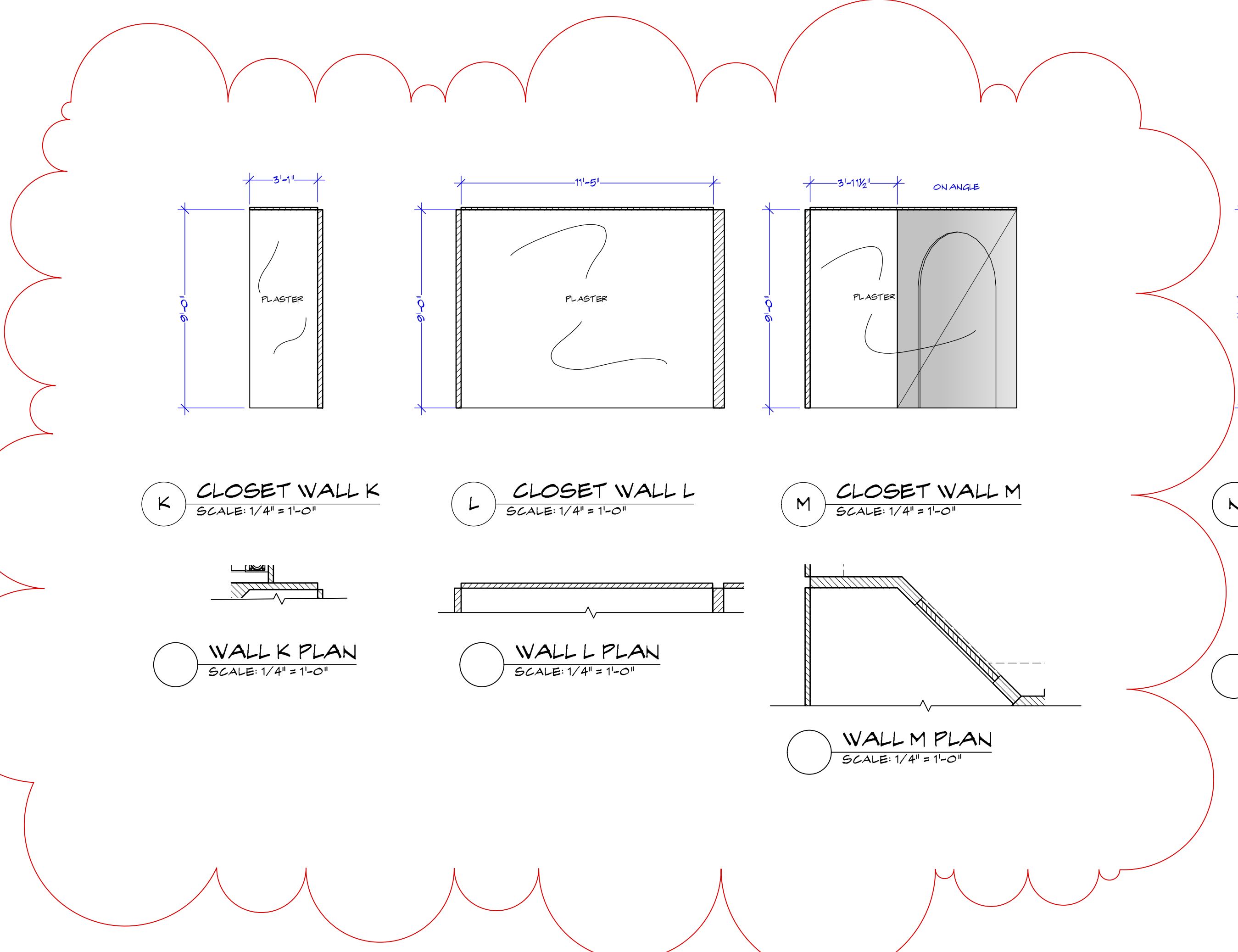
WALL I PLAN
SCALE: 1/4" = 1'-0"



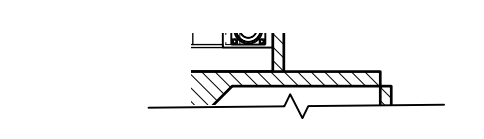
J BAT CAVE LOUNGE WALL J
SCALE: 1/4" = 1'-0"



WALL J PLAN
SCALE: 1/4" = 1'-0"

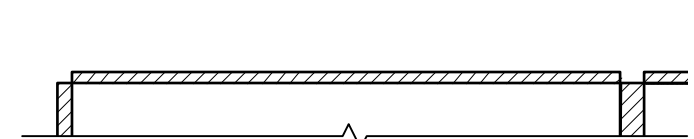


K CLOSET WALL K
SCALE: 1/4" = 1'-0"



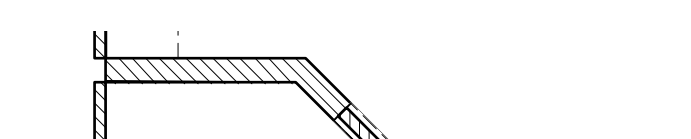
WALL K PLAN
SCALE: 1/4" = 1'-0"

L CLOSET WALL L
SCALE: 1/4" = 1'-0"



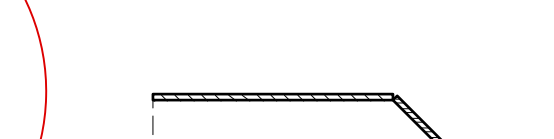
WALL L PLAN
SCALE: 1/4" = 1'-0"

M CLOSET WALL M
SCALE: 1/4" = 1'-0"



WALL M PLAN
SCALE: 1/4" = 1'-0"

N ENTRANCE N
SCALE: 1/4" = 1'-0"



WALL N PLAN
SCALE: 1/4" = 1'-0"

O ENTRANCE O
SCALE: 1/4" = 1'-0"



WALL O PLAN
SCALE: 1/4" = 1'-0"

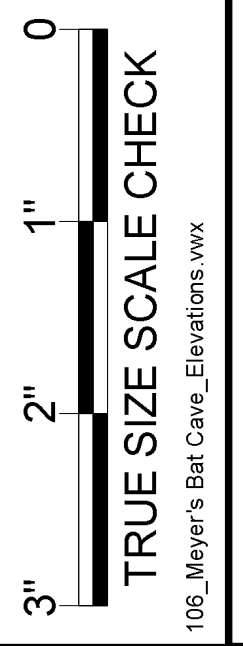
O-1 FLATTENED MAKE 2
SCALE: 1/4" = 1'-0"



REVISED 2/28/19
BUILD CLOSET WALLS

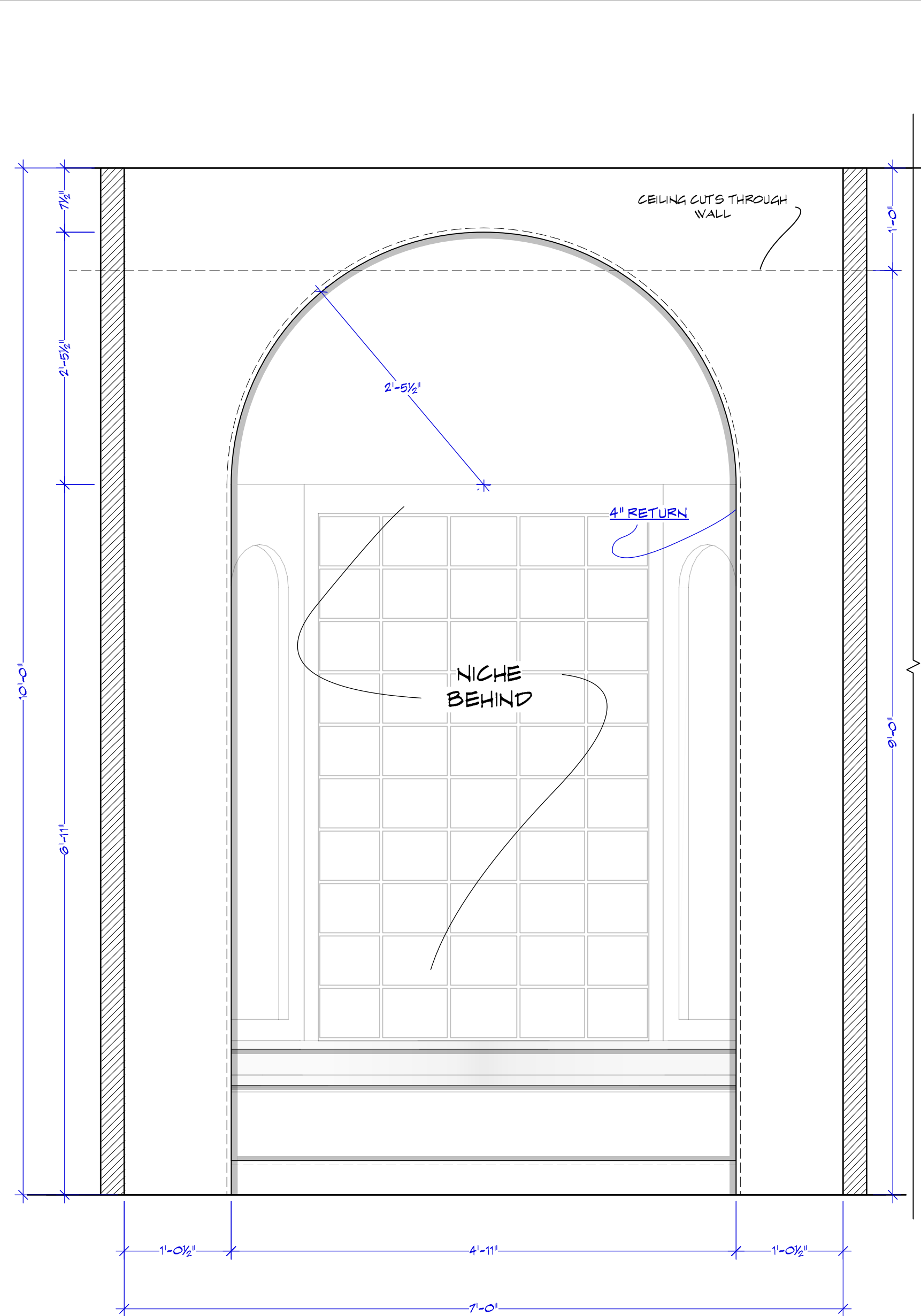
REVISED 02/28/2019

Episode: AMORT	Set #: 106	Scale: 1/4"=1'-0"
Set Name & Description: MEYER'S BAT CAVE ELEVATIONS	Director: VARIOUS	Location: STAGE
Producer: JERRY KUPFER	Art Director: MARCO MUDD	Const. Coordinator: NILES NORTON
Line Producer: BILL SELL	Address: STEINER STUDIO 15 WASHINGTON AVE	
Exec Producer: NIKKI TOSCANO	Prod. Designer: CURT BEECH	Set Decorator: SUSAN MARSHAL
Line Producer: BILL SELL	Address: STEINER STUDIO 15 WASHINGTON AVE	
Producer: JERRY KUPFER	Art Director: MARCO MUDD	Const. Coordinator: NILES NORTON
Set Name & Description: MEYER'S BAT CAVE ELEVATIONS	Director: VARIOUS	Location: STAGE
Episode: AMORT	Set #: 106	Scale: 1/4"=1'-0"
Drawing Date: 4/6/2020	Drawn by: M. FAHRER	Sheet No: 106-03
Shot Date: XX/XX/2018		

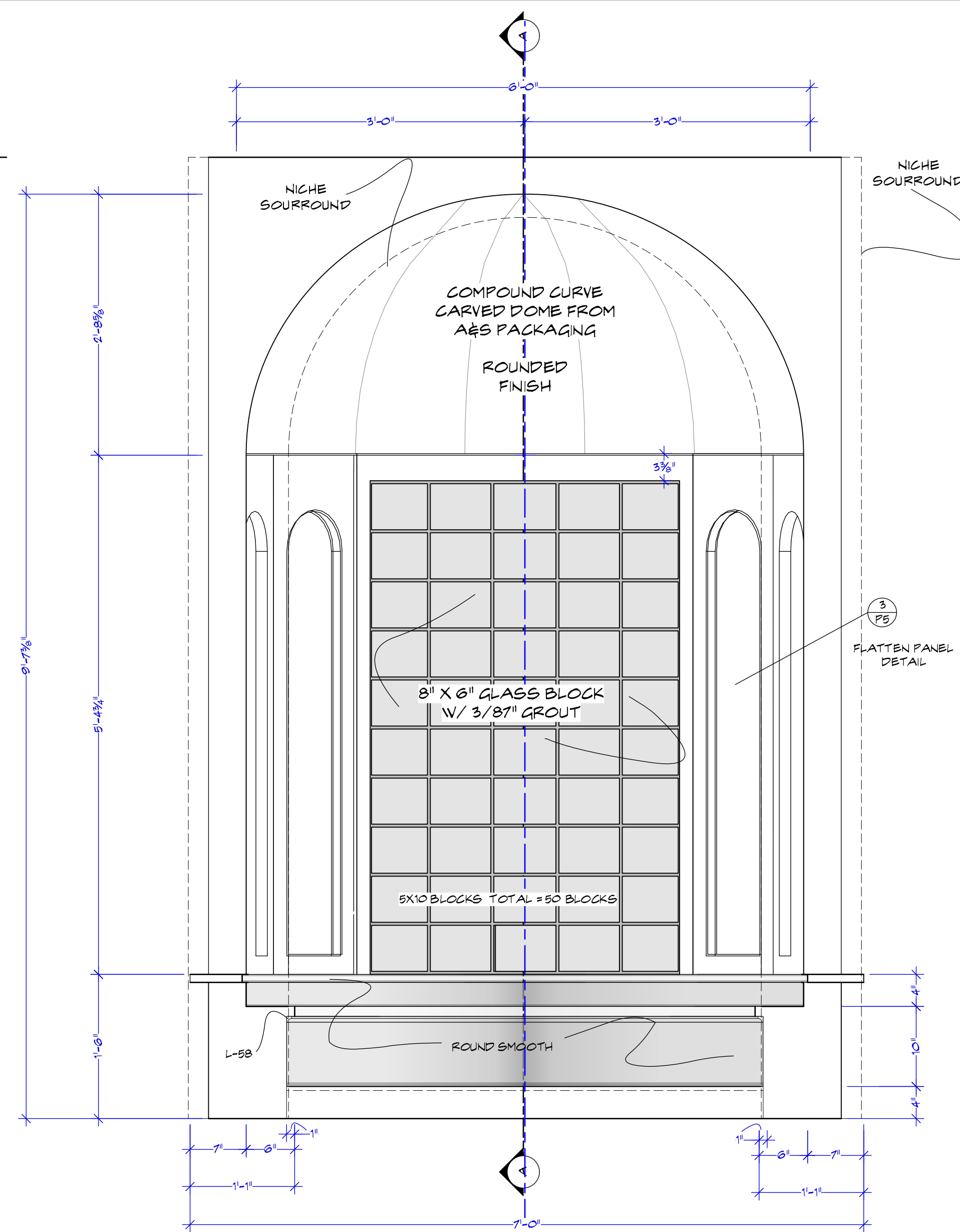


2/28/2019 REVISED BUILD K-M

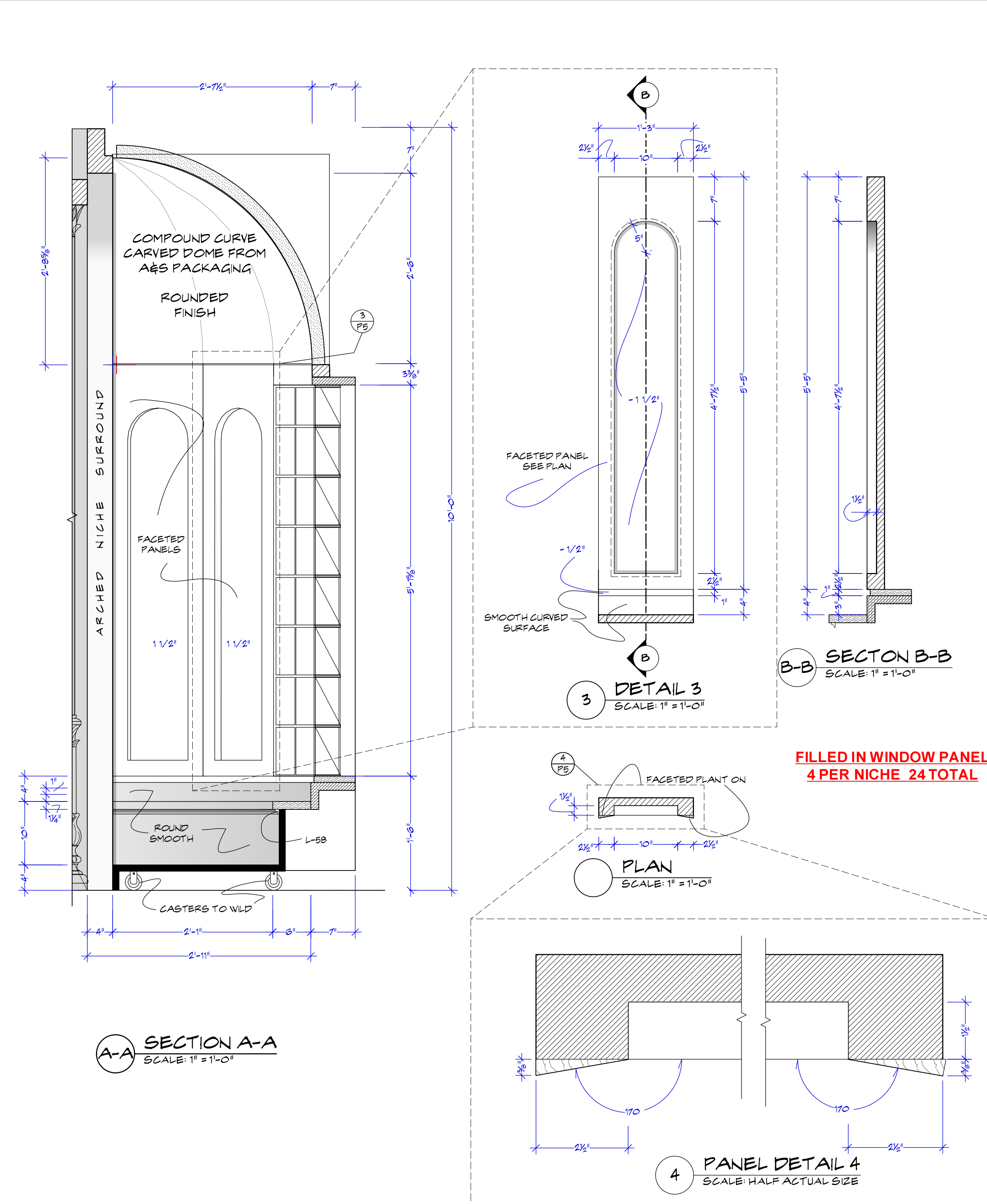




E-2 NICHE SURROUND
SCALE: 1" = 1'-0"

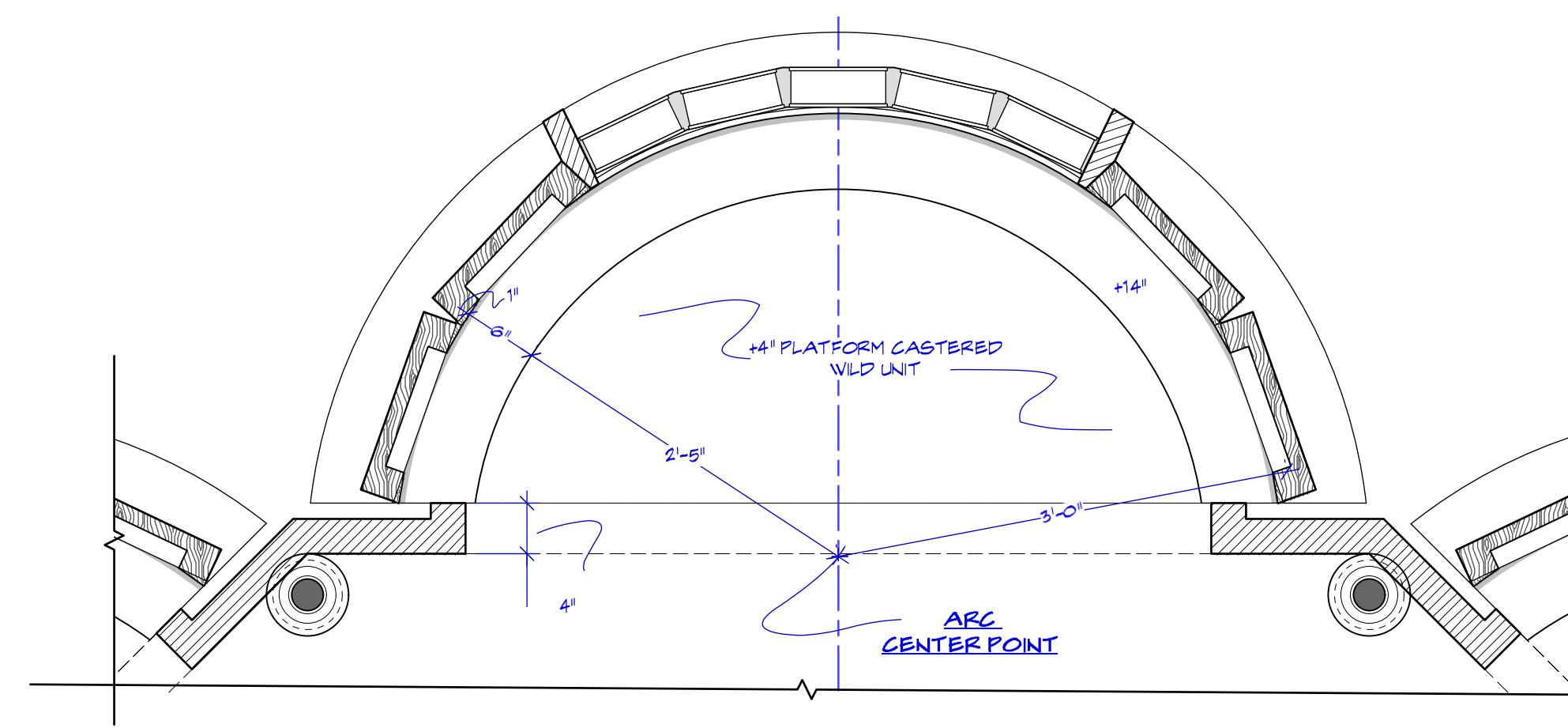


E-2 NICHE FRONT VIEW 1" DETAIL
SCALE: 1" = 1'-0"

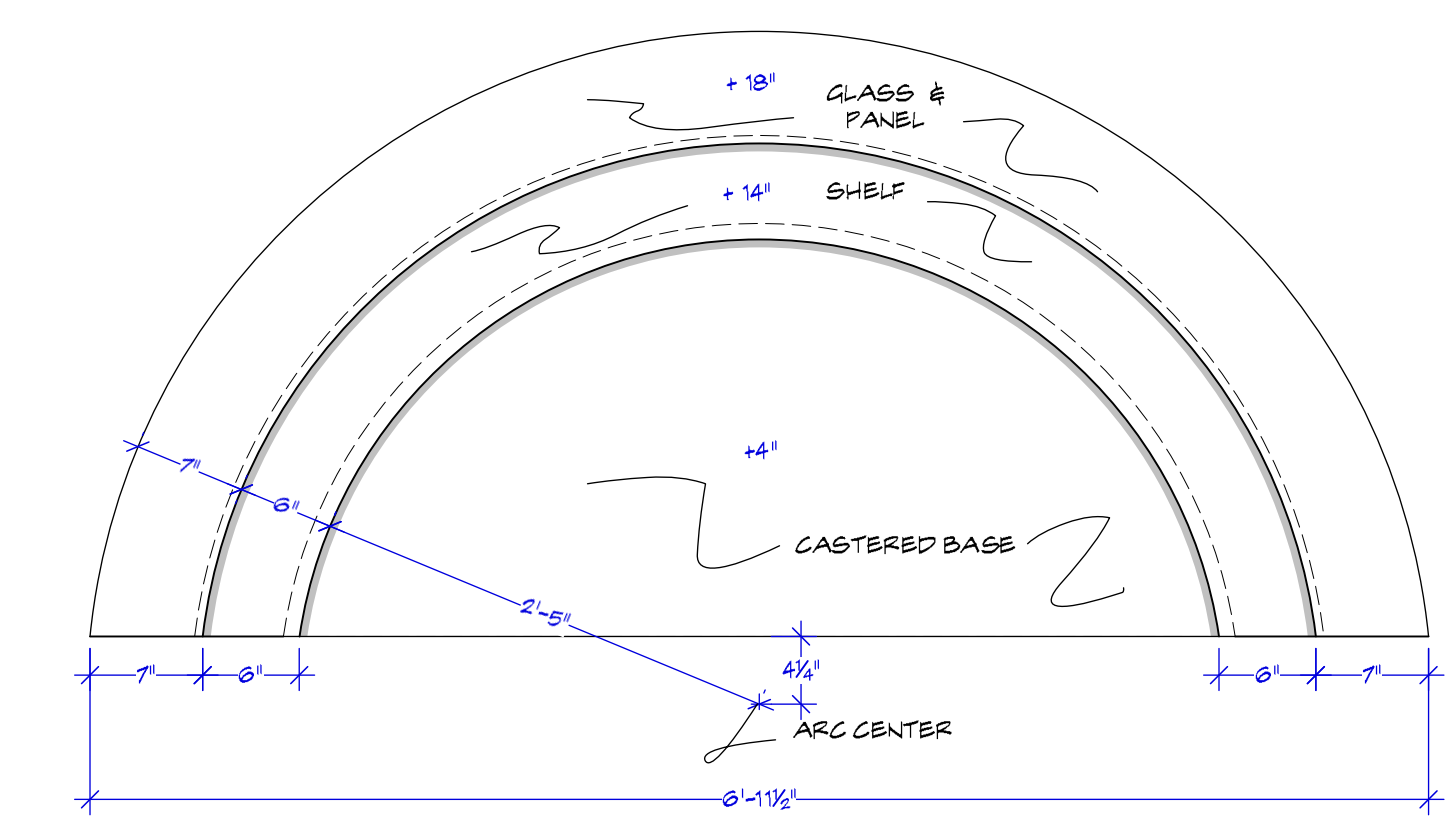


A-A SECTION A-A
SCALE: 1" = 1'-0"

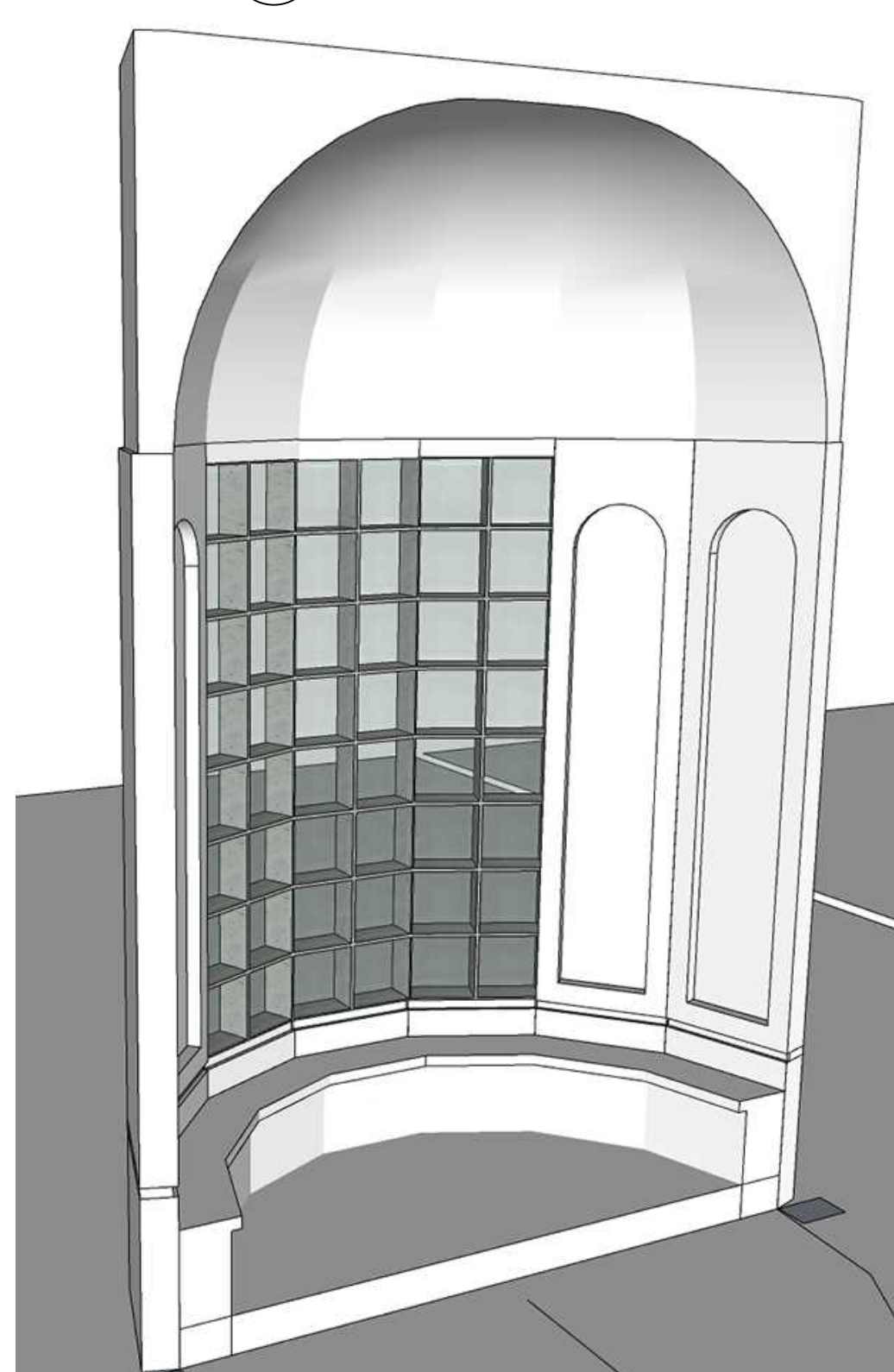
NOTE:
50 GLASS BLOCKS PER NICHE
TOTAL 300 6X8 GLASS BLOCKS
FOR ALL NICHEs



E-2 NICHE PLAN 1" DETAIL
SCALE: 1" = 1'-0"



NICHE BASE
SCALE: 1" = 1'-0"



NICHE 3D REFERENCE VIEW

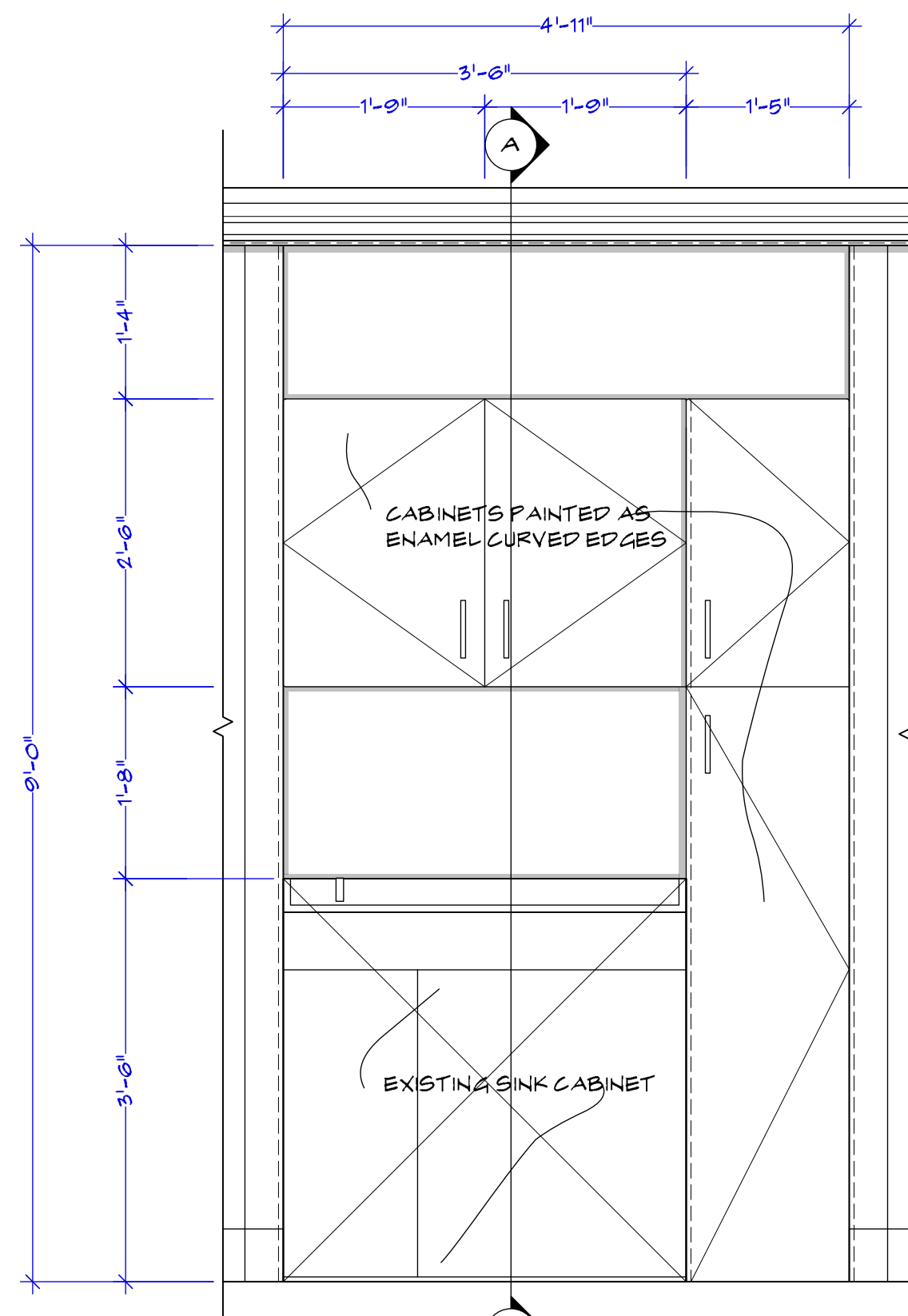


TRUE SIZE SCALE CHECK
106_Meyers Bat Cave_Elevations.rvt

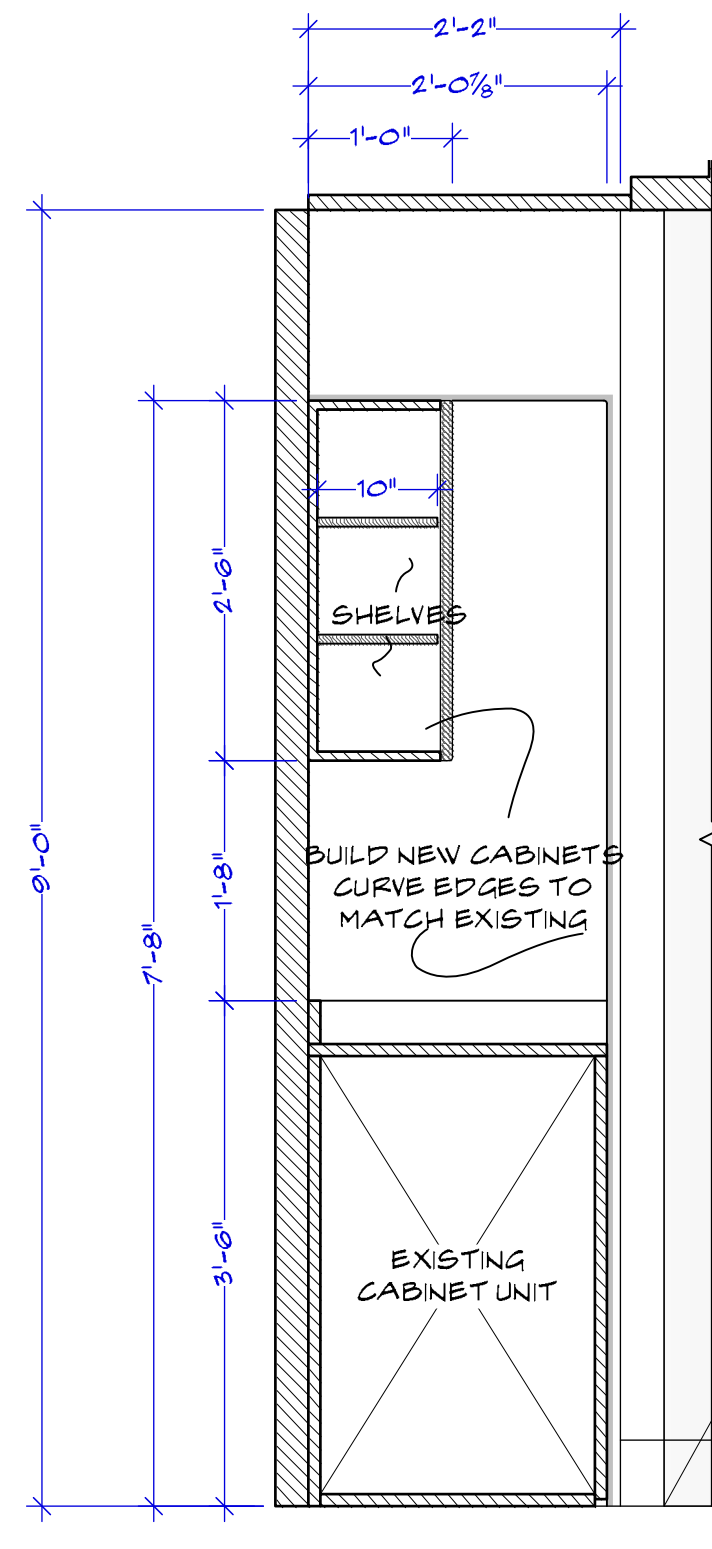
RELEASED 02/13/2019

Episode: AMORT	Set #: 106	Scale: NOTED
Set Name & Description: MEYER'S BAT CAVE NICHE DETAILS	Director: VARIOUS	Location: STAGE 28
Producer: JERRY KUPFER	Art Director: MARCO MUDD	Const. Coordinator: NILES NORTON
Exec Producer: NIKKI TOSCANO	Line Producer: BILL SELL	Address: STEINER STUDIO 15 WASHINGTON AVE
Prod. Designer: CURT BEECH	Set Decorator: SUSAN MARSHAL	
Drawn by: M. FAHRER	Sheet No.: 106-05	
Date: 4/6/2020	Shot Date: XX/XX/2018	

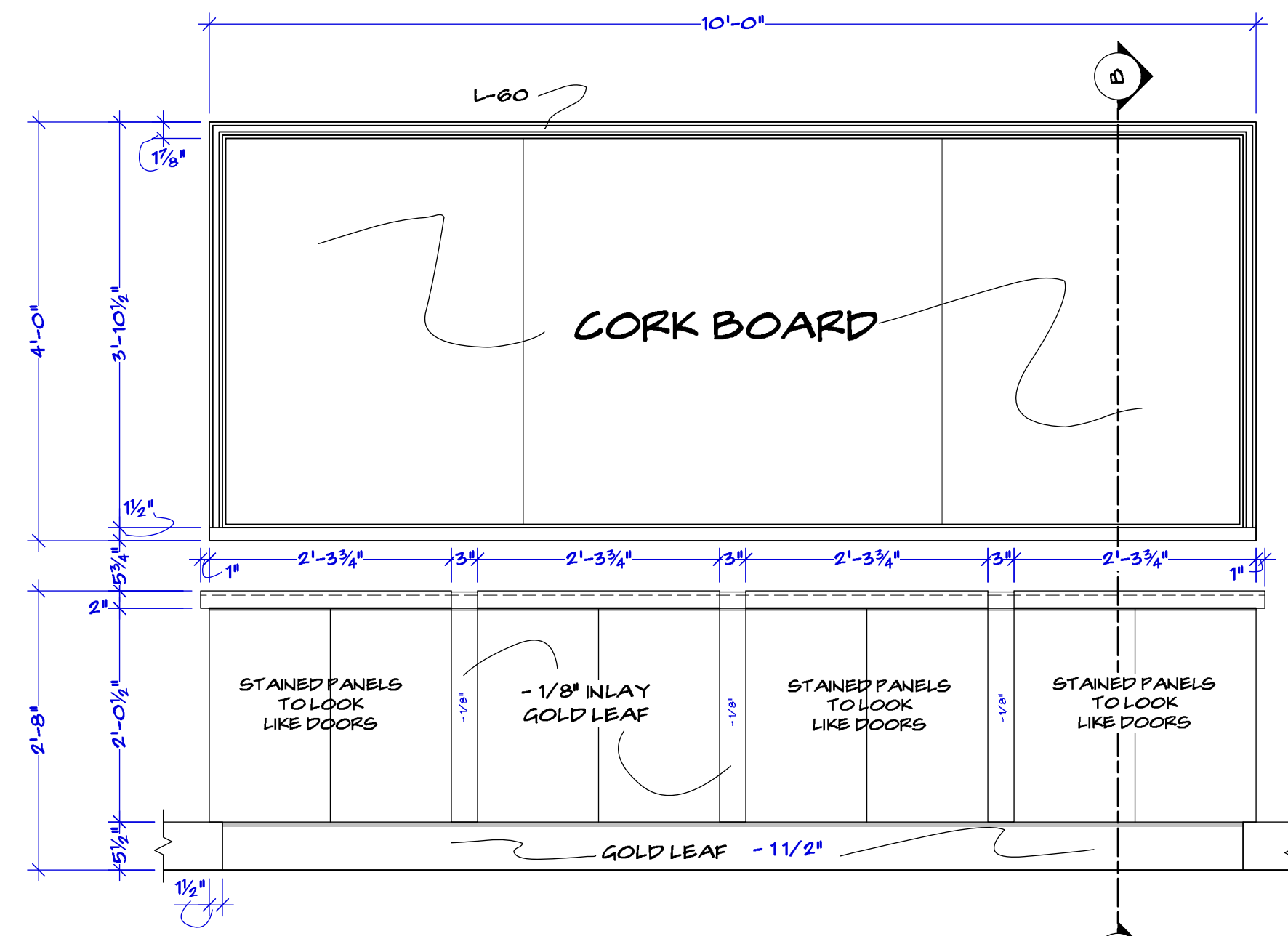
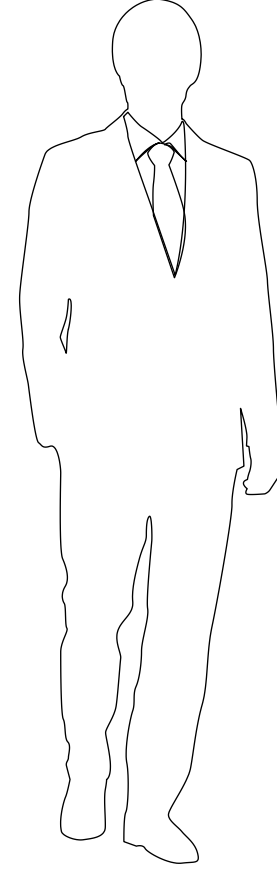




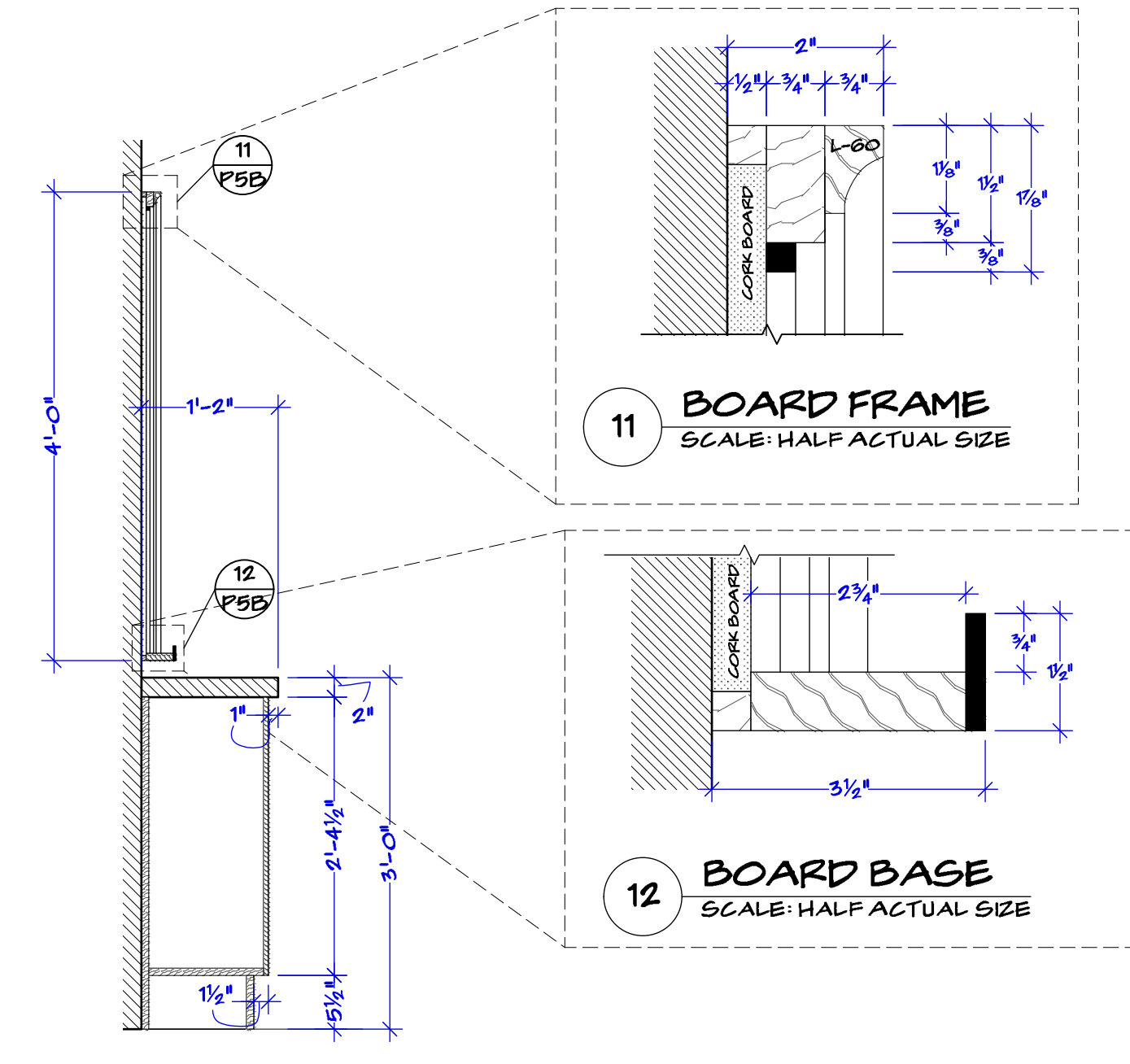
K1 KITCHEN CABINET DETAIL K1
SCALE: 3/4" = 1'-0"



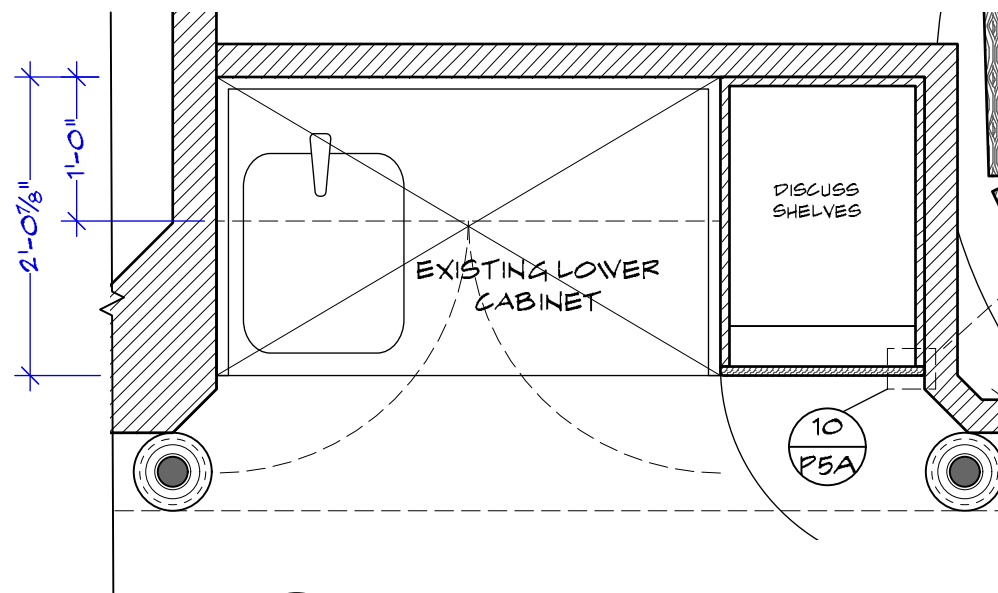
A-A CABINET SECTION A-A
SCALE: 3/4" = 1'-0"



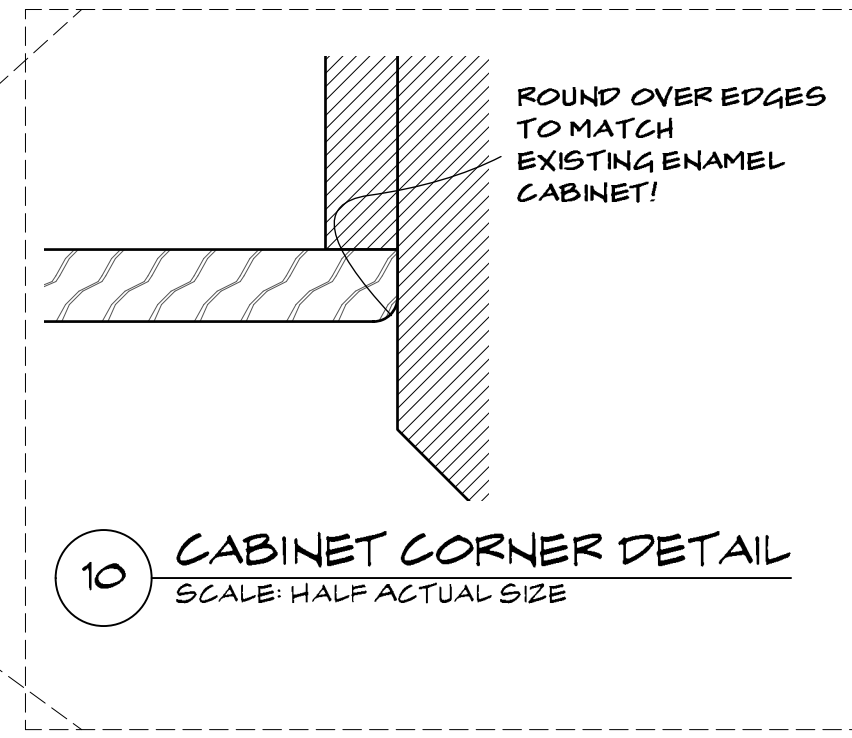
C1 CREDENZA FRONT
SCALE: 3/4" = 1'-0"



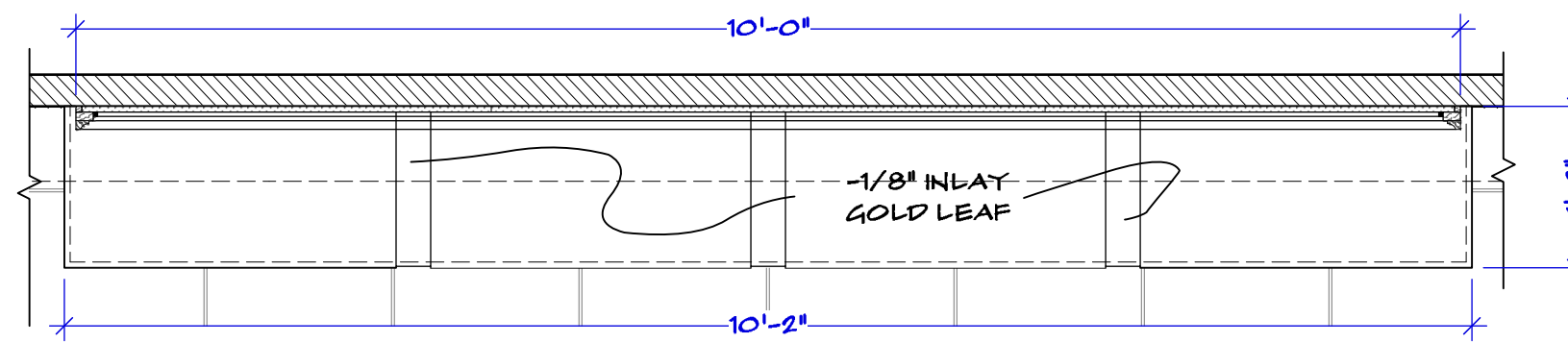
B-B SECTION B-V=B
SCALE: 3/4" = 1'-0"



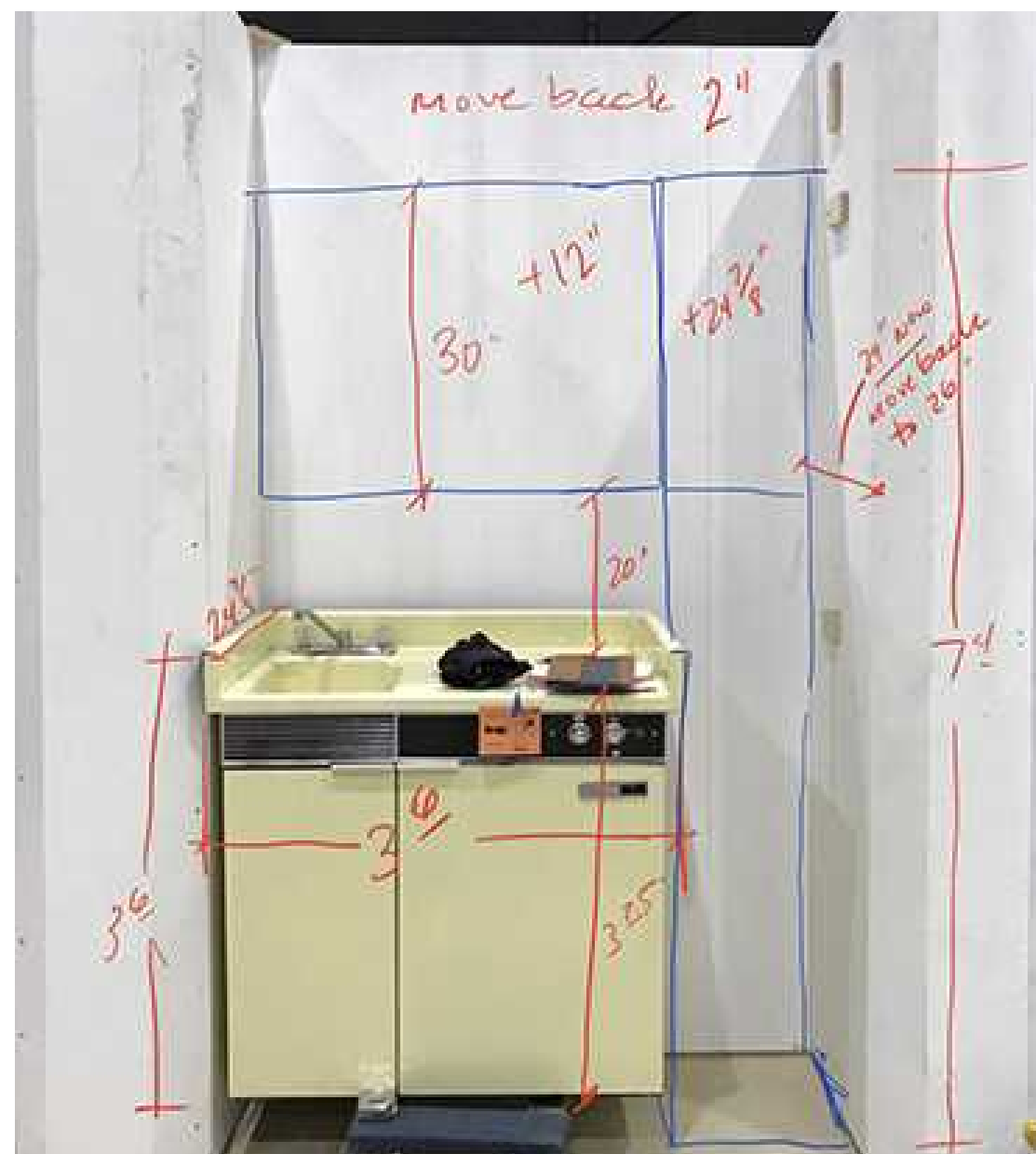
KITCHEN CABINET PLAN
SCALE: 3/4" = 1'-0"



10 CABINET CORNER DETAIL
SCALE: HALF ACTUAL SIZE



CREDENZA PLAN
SCALE: 3/4" = 1'-0"



KITCHEN REFERENCE



CREDENZA REFERENCE



TRUE SIZE SCALE CHECK

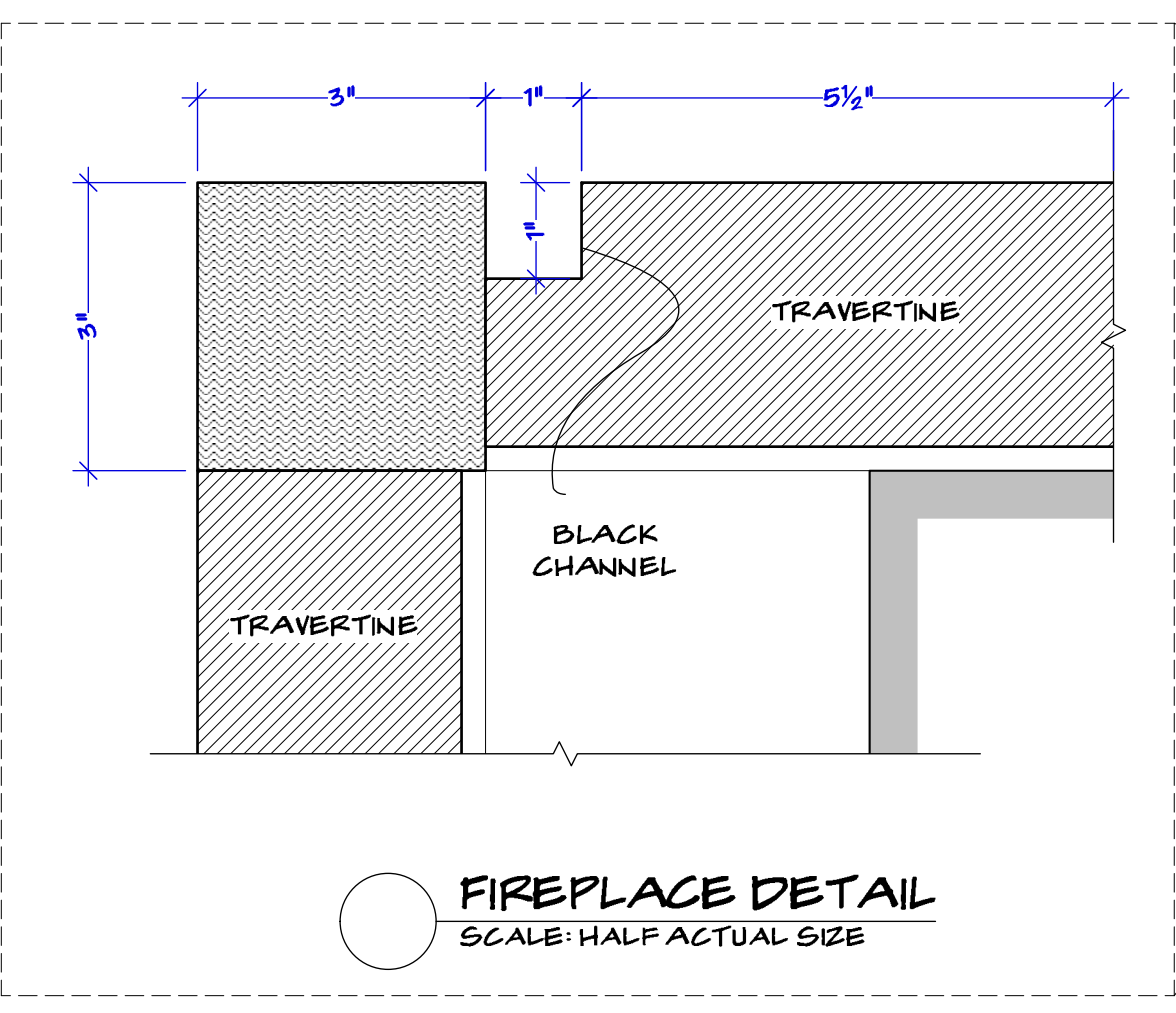
106_Meyer's Bat Cave_Elevations v2020.vwx



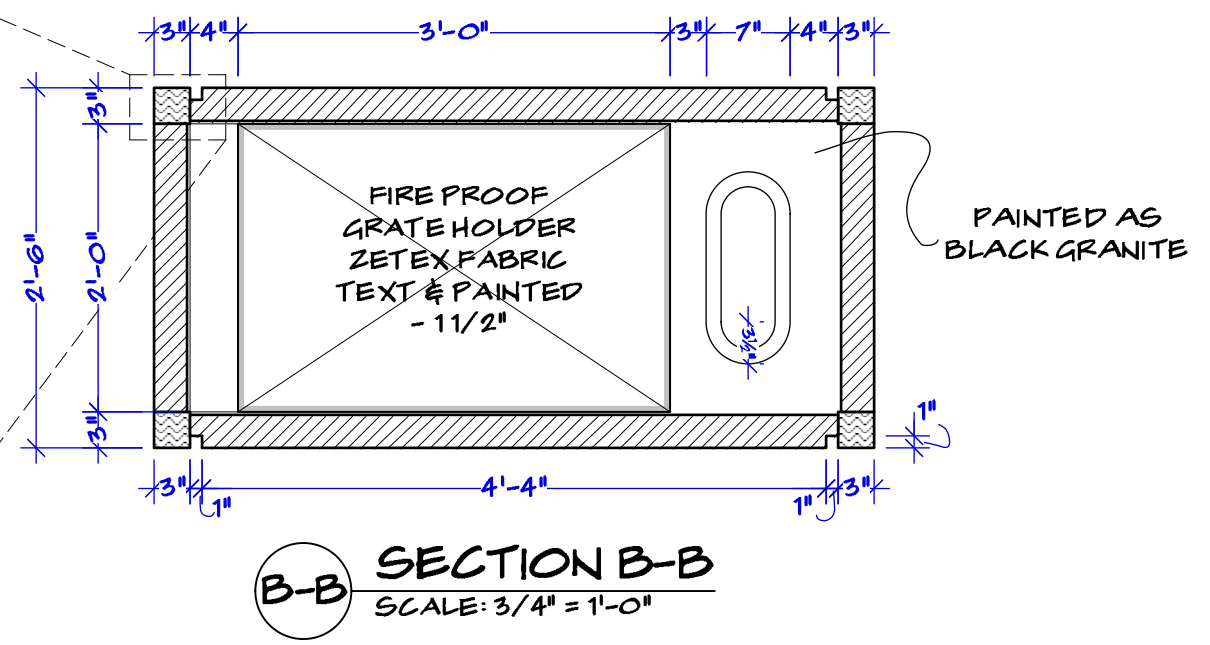
CREDENZA ADDED 3/22/19

RELEASED 03/22/2019

Episode:	AMORT	Set #:	106
Director:	VARIOUS	Location:	STAGE 28
Set Name & Description:	MEYER'S BAT CAVE DETAILS K1 - C1		
Director:	VARIOUS	Location:	STAGE 28
Exec Producer:	NIKKI TOSCANO	Producer:	JERRY KUPFER
Line Producer:	BILL SELL	UPM:	BILL SELL
Address:	ST EIDER STUDIO 15 WASHINGTON AVE	Art Director:	MARCO MUDD
Prod. Designer:	CURT BEECH	Const. Coordinator:	NILES NORTON
Set Decorator:	SUSAN MARSHAL		
Drawing Date:	4/6/2020	Drawn by:	M. FAHRER
Sheet Date:	04/05/2018	Sheet No.:	106-05A

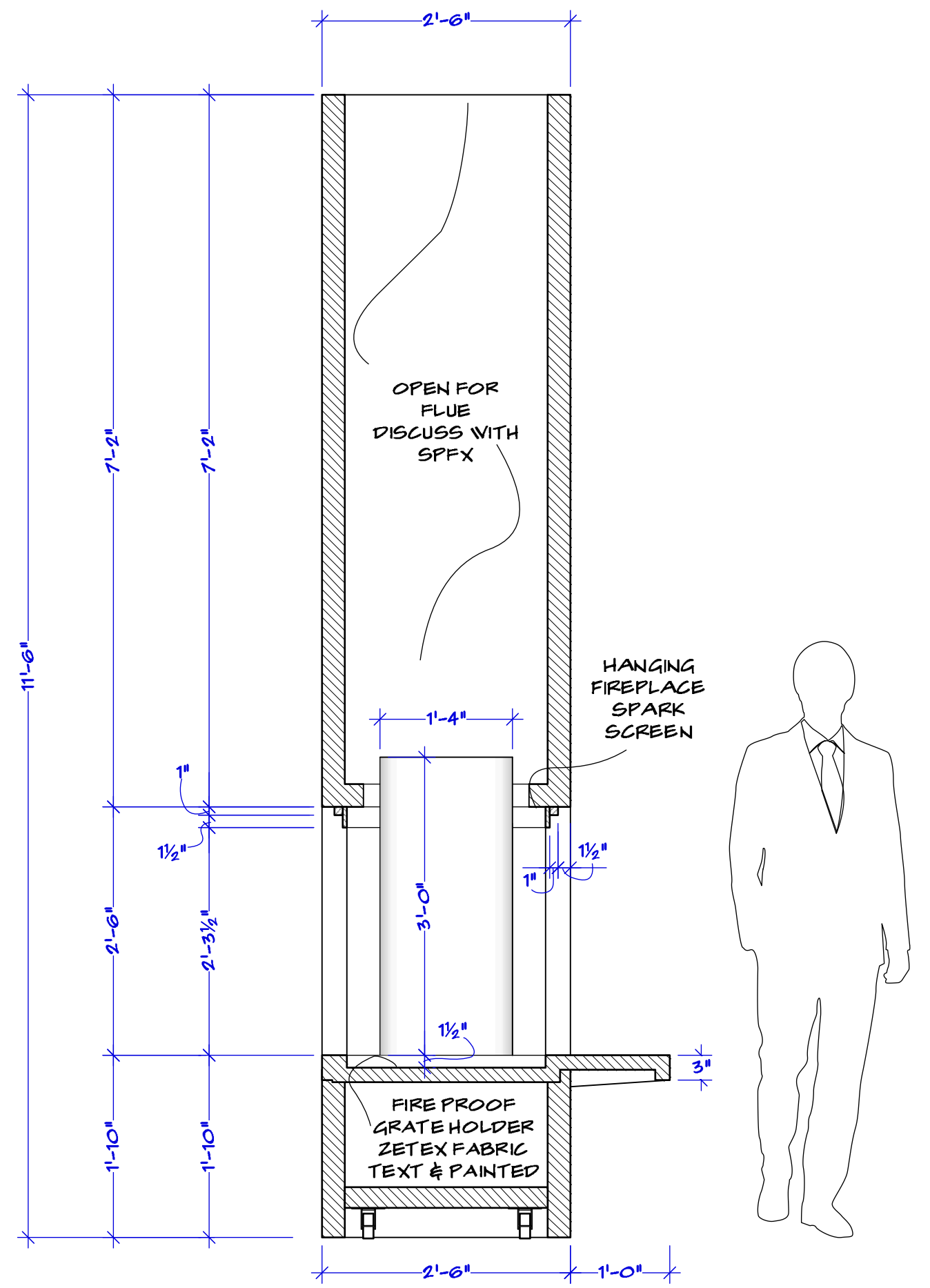


FIREPLACE DETAIL
SCALE: HALF ACTUAL SIZE

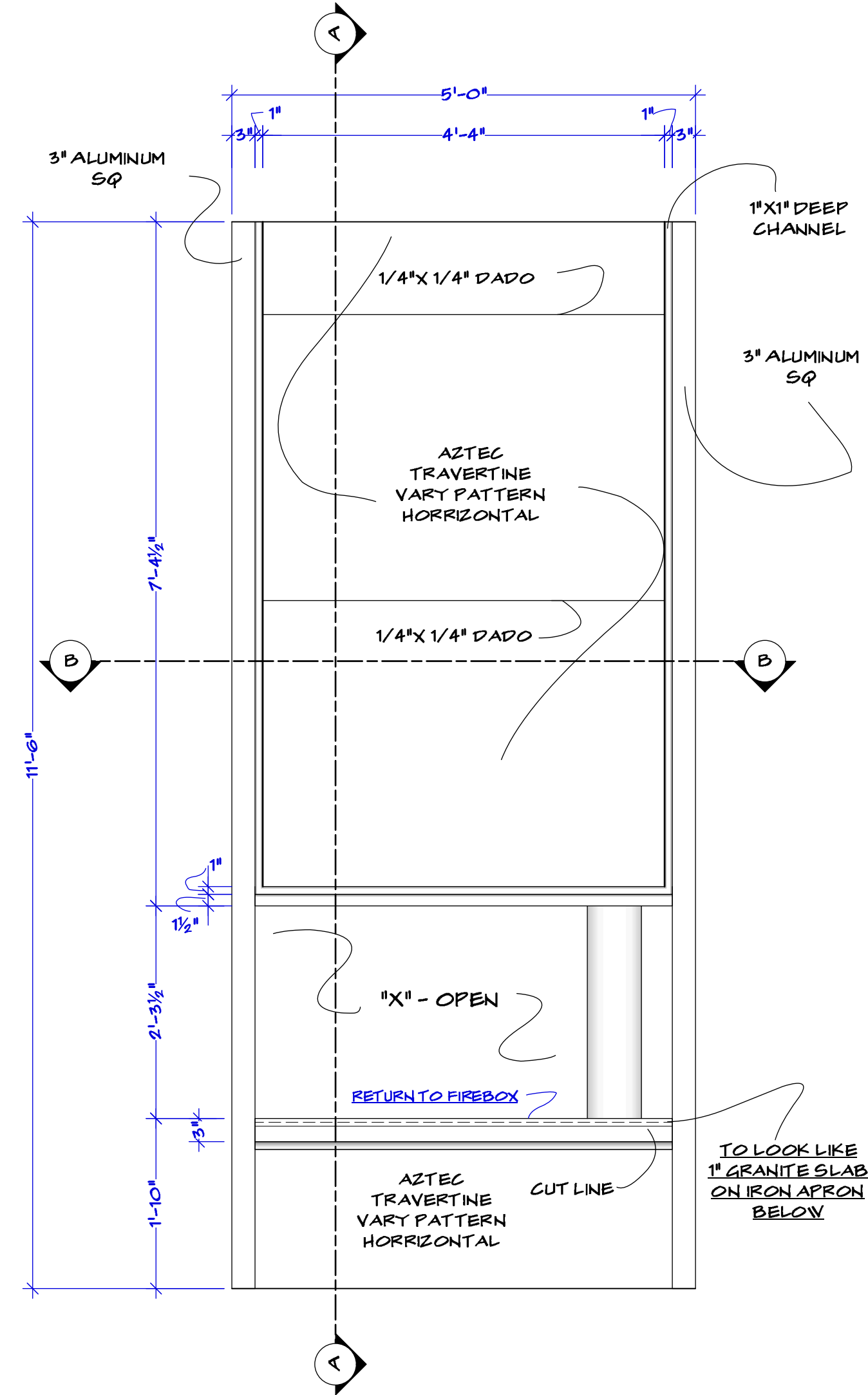


SECTION B-B
SCALE: 3/4" = 1'-0"

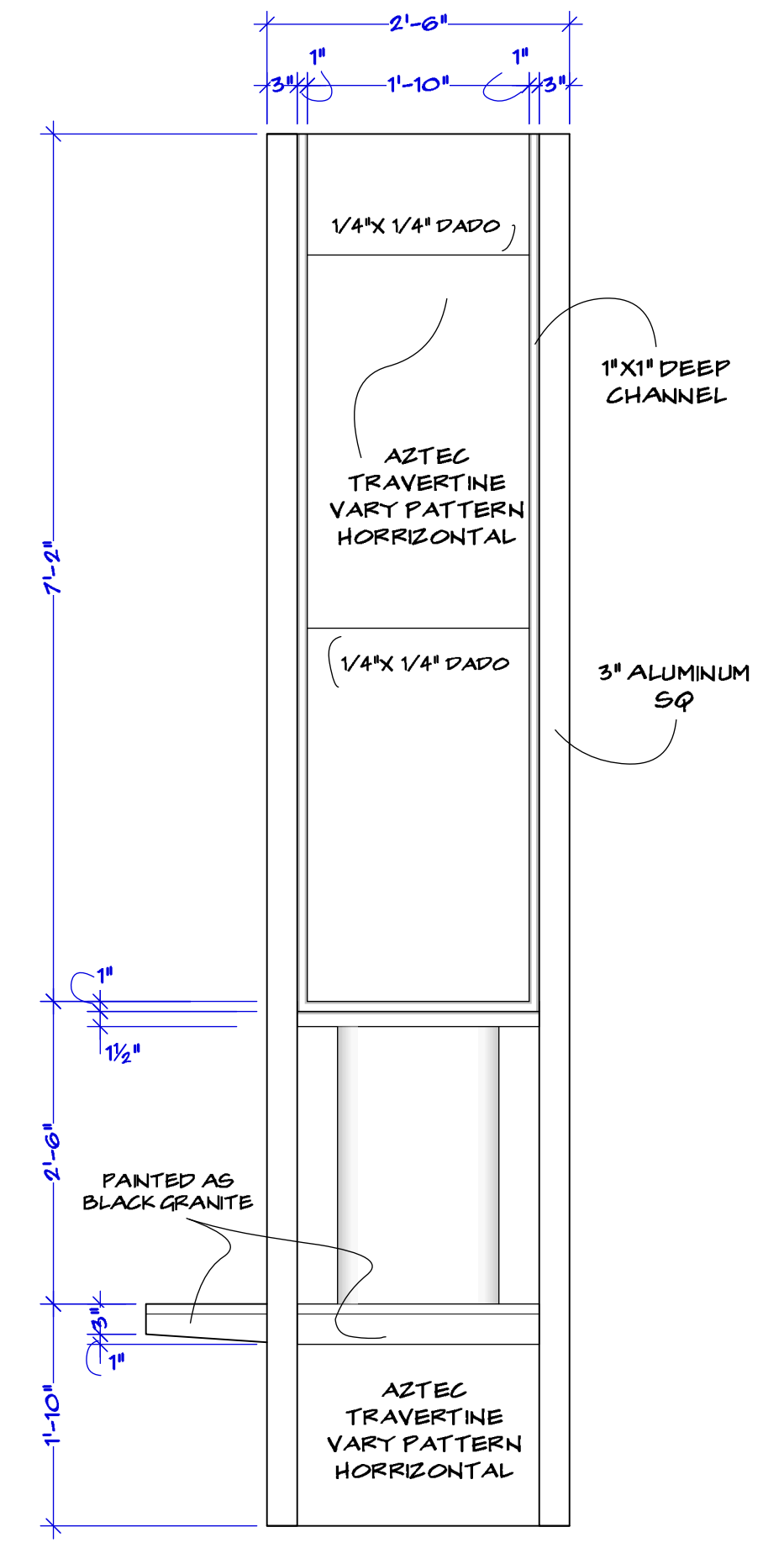
NOTE:
FIREPLACE IS ON CASTERS AND IS WILD
PROVIDE COUNTER BALANCE AS NECESSARY
NON PRACTICAL FIREPLACE



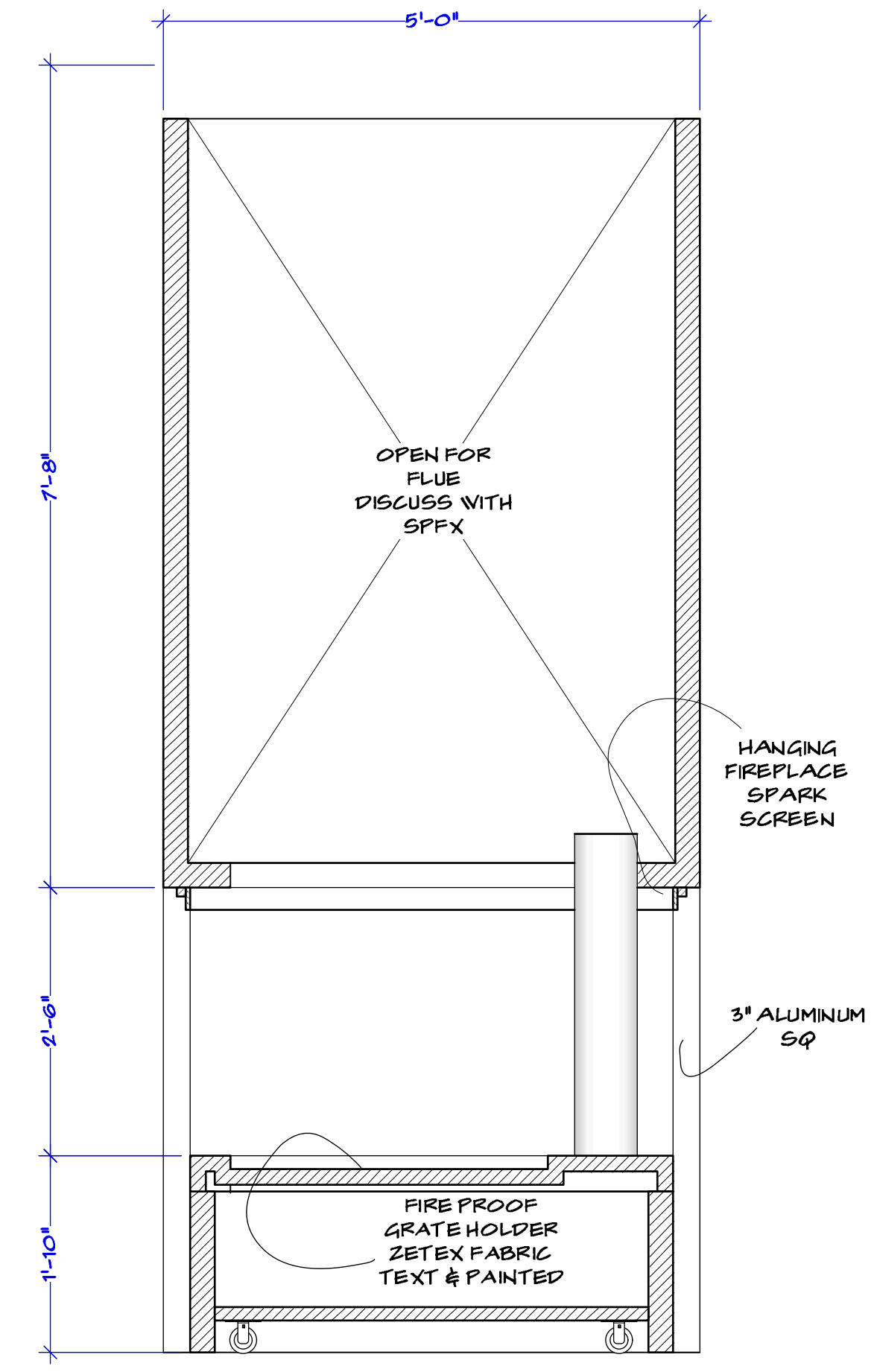
SECTION A-A
SCALE: 3/4" = 1'-0"



FIREPLACE FRONT ELEVATION
SCALE: 3/4" = 1'-0"

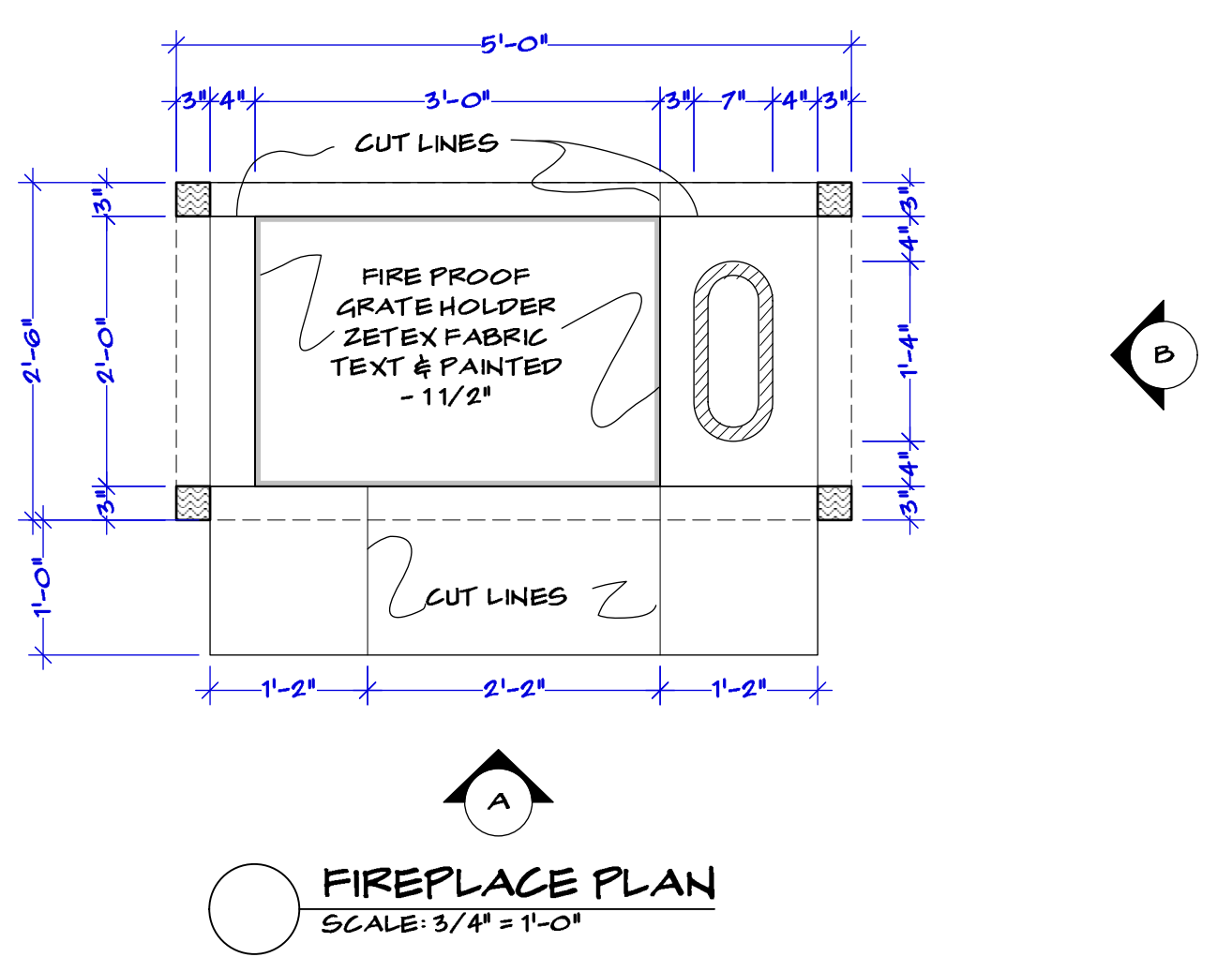


SIDE VIEW
SCALE: 3/4" = 1'-0"



SECTION C-C
SCALE: 3/4" = 1'-0"

NOTE:
FIREPLACE IS ON CASTERS AND IS WILD
PROVIDE COUNTER BALANCE AS NECESSARY
NON PRACTICAL FIREPLACE



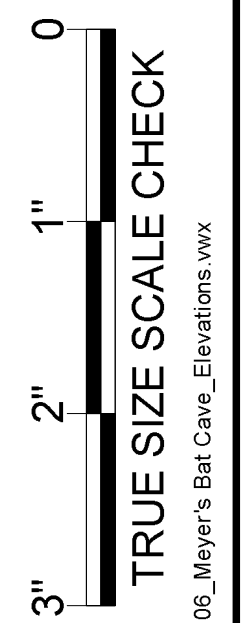
FIREPLACE PLAN
SCALE: 3/4" = 1'-0"



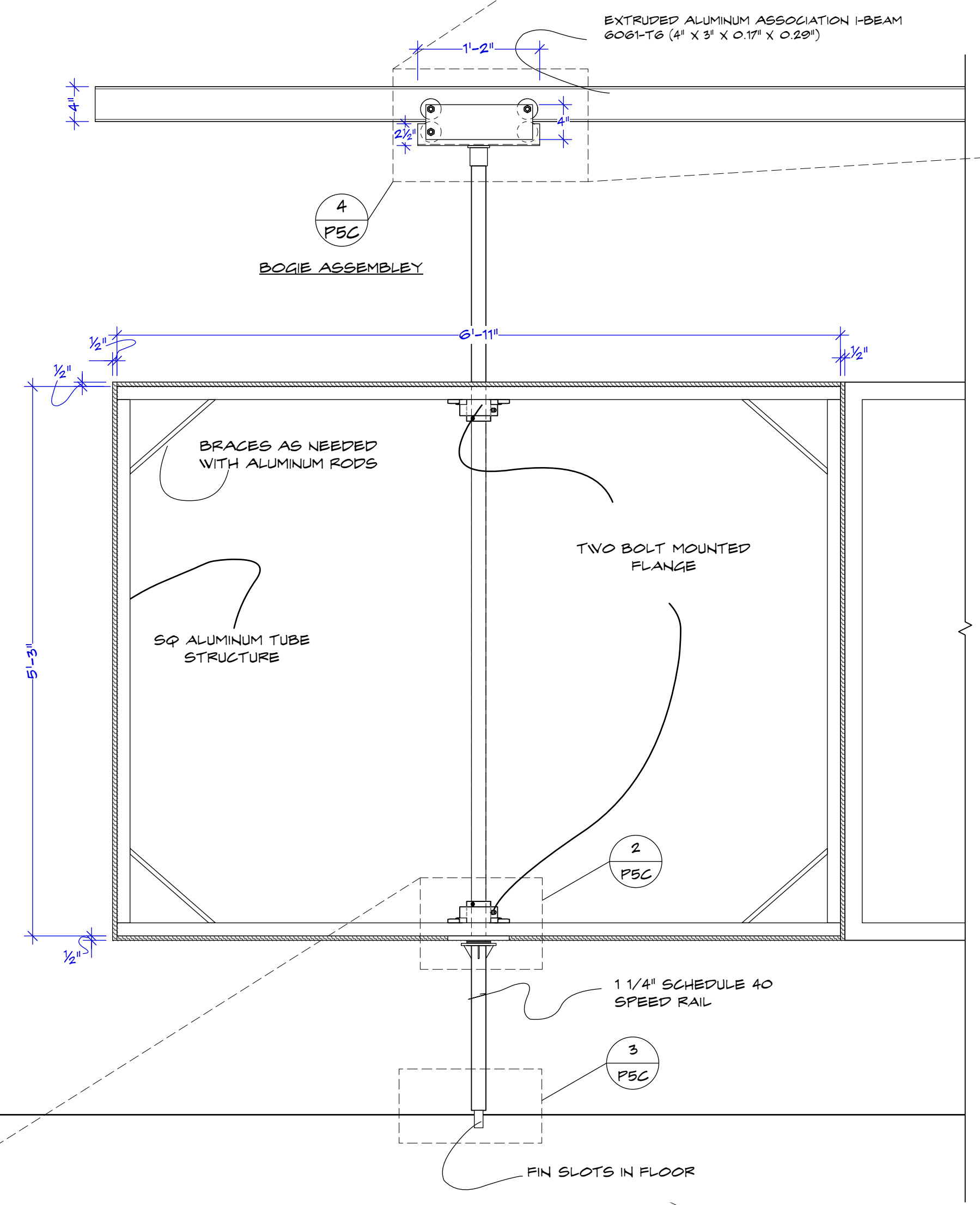
REFERENCE IMAGE



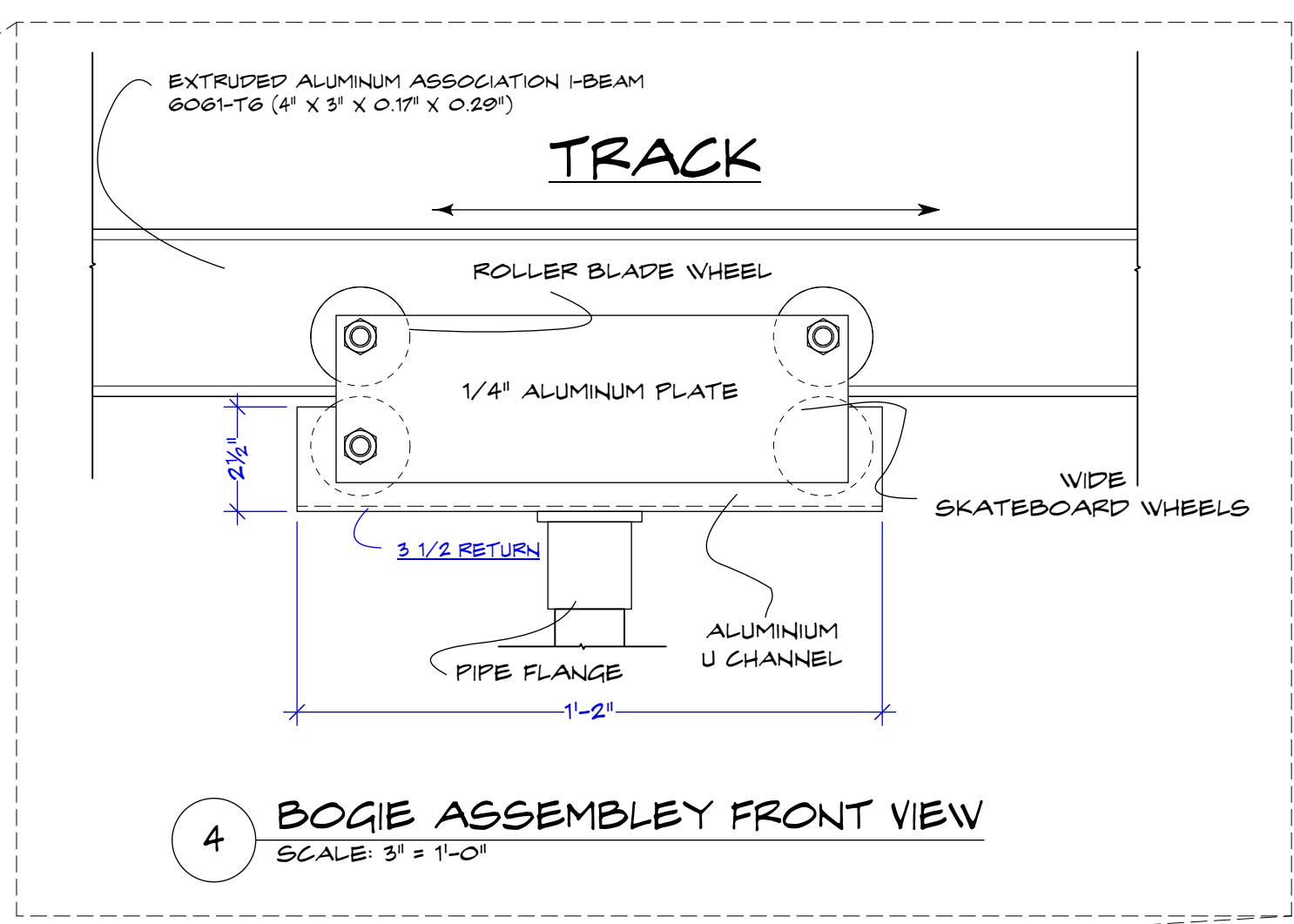
REFERENCE IMAGE



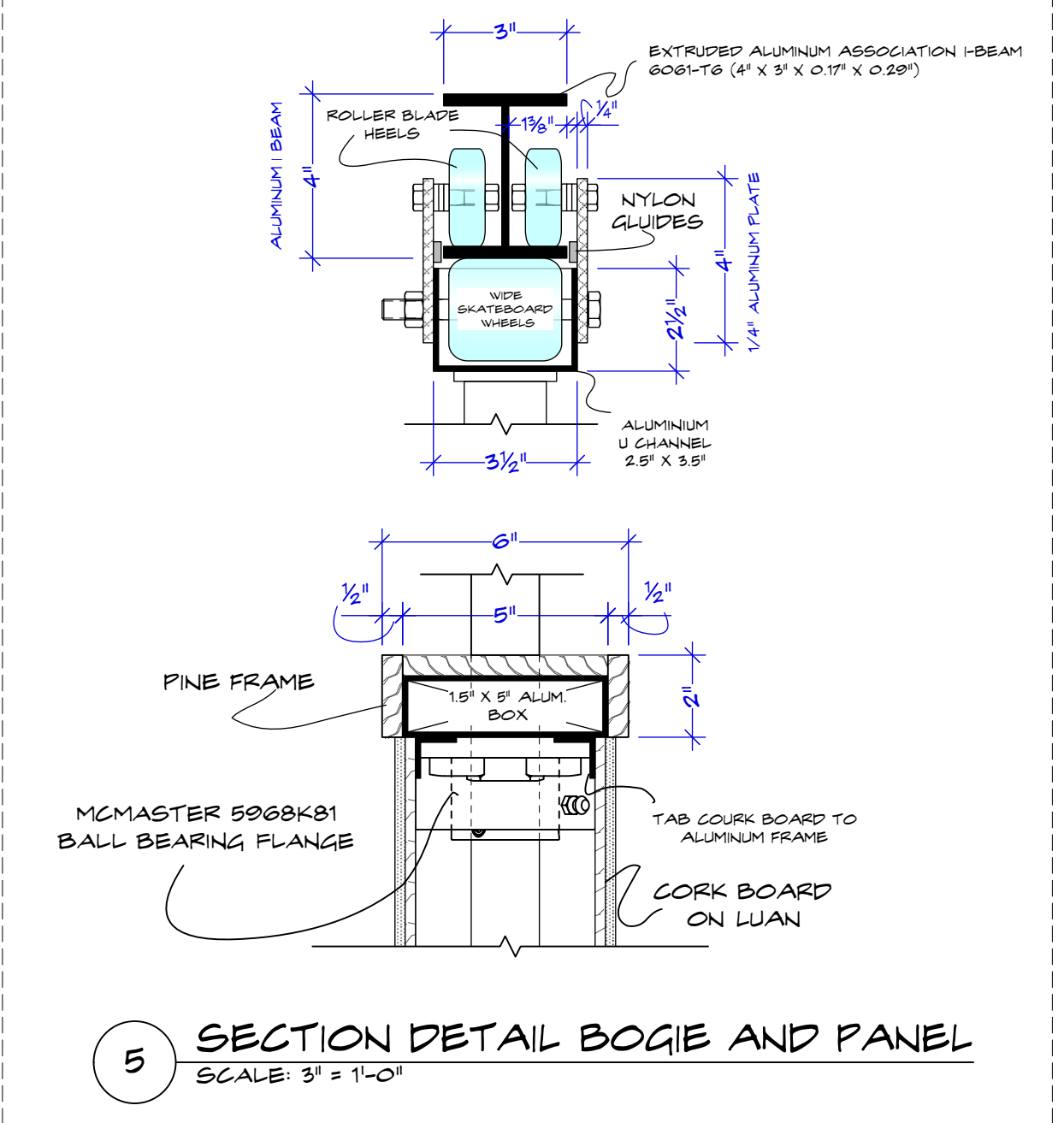
TRUE SIZE SCALE CHECK



1 TRACK PANELS STRUCTURE DETAIL
 SCALE: 1" = 1'-0"

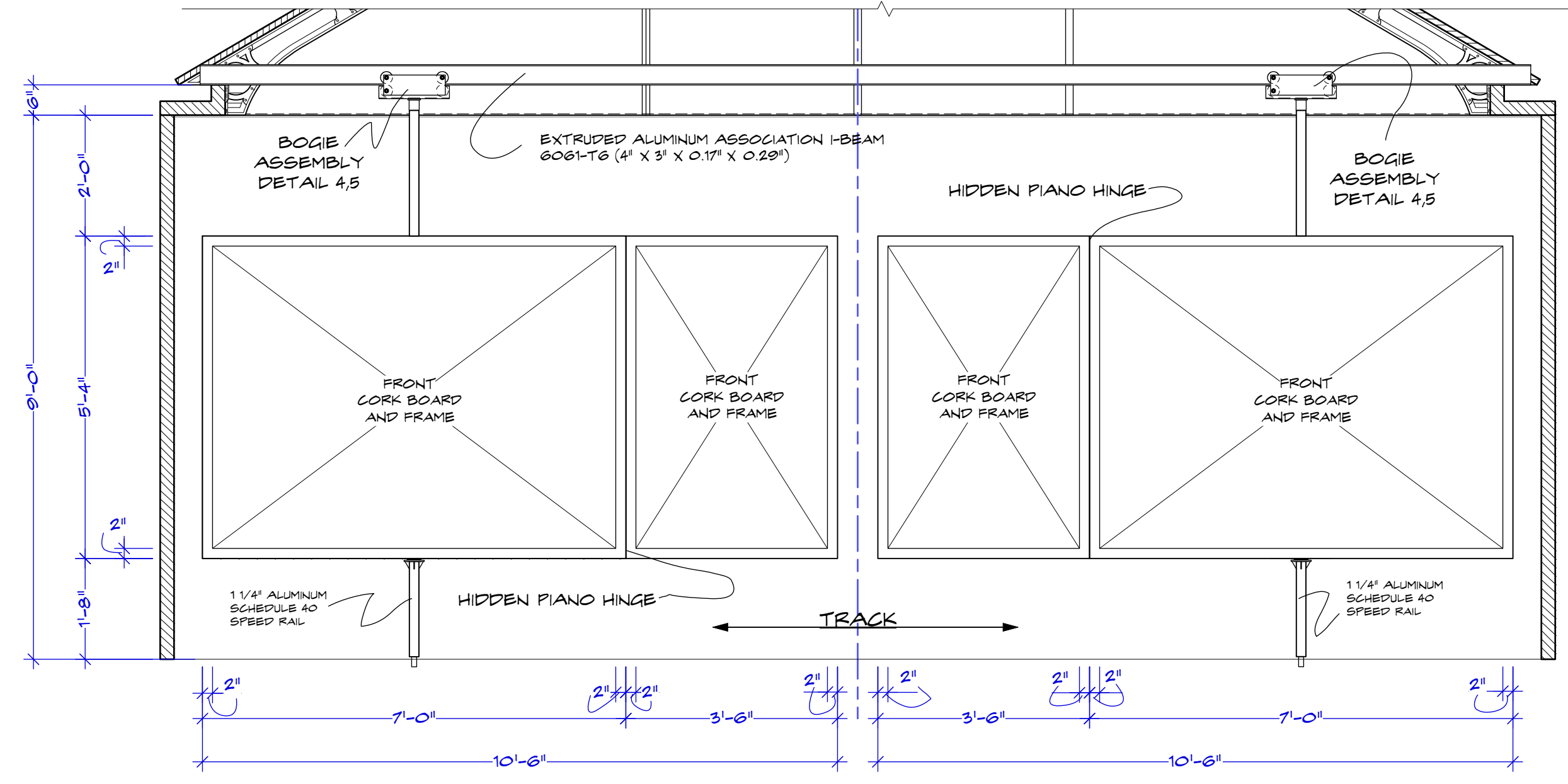


4 BOGIE ASSEMBLY FRONT VIEW
 SCALE: 3" = 1'-0"

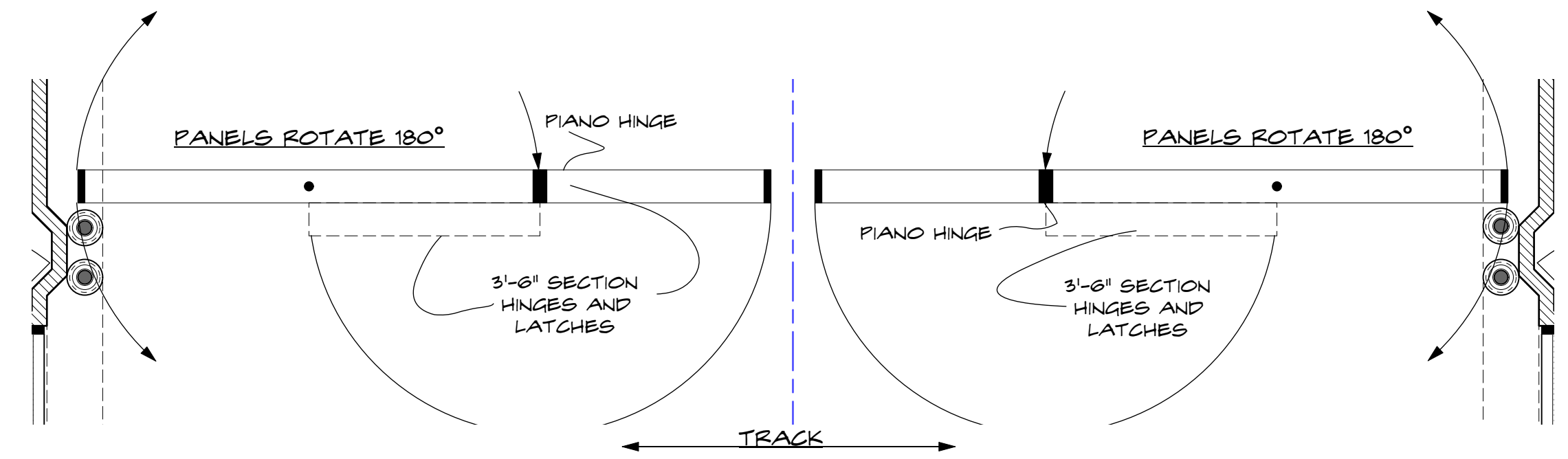


5 SECTION DETAIL BOGIE AND PANEL
 SCALE: 3" = 1'-0"

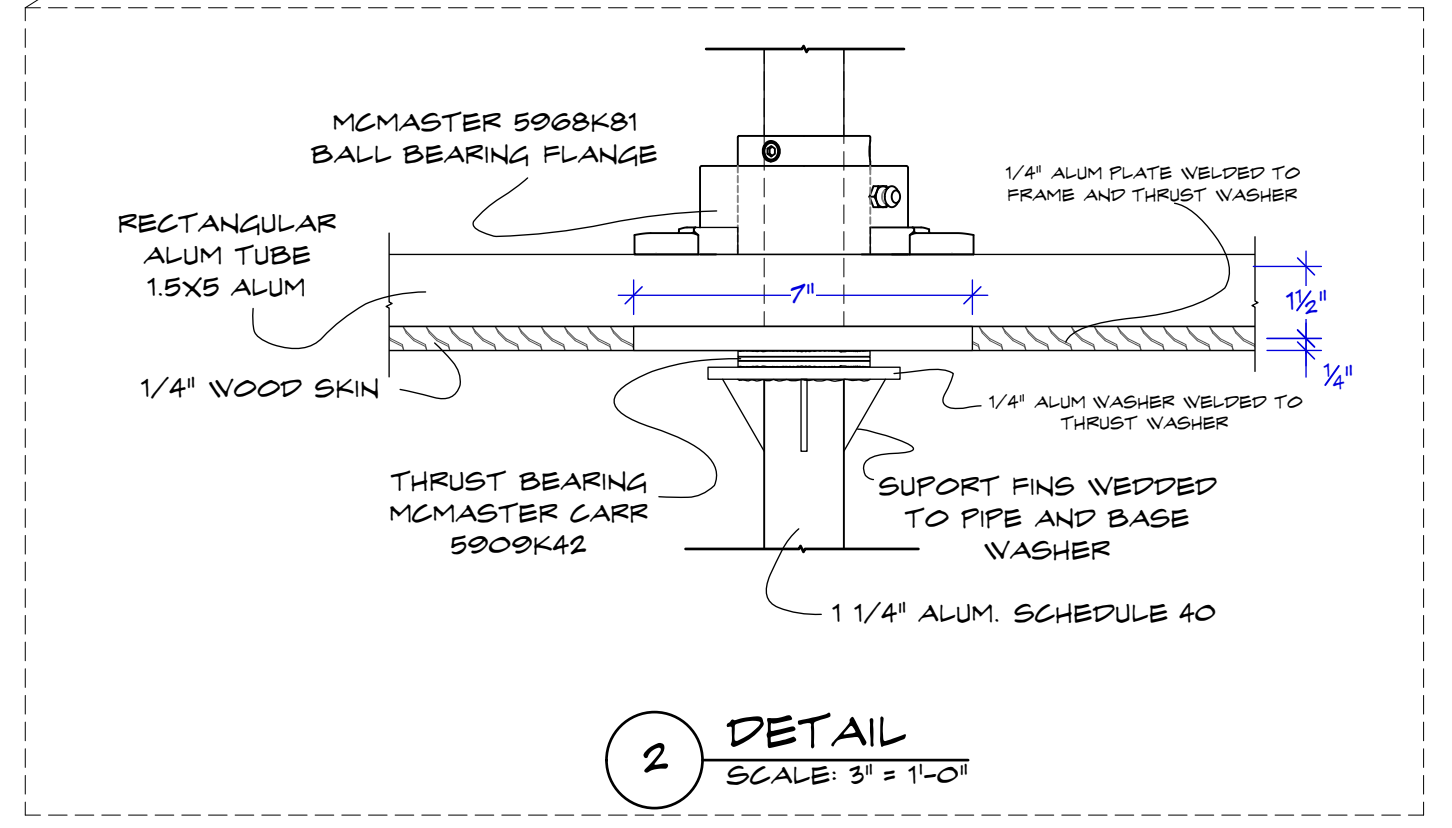
PANELS ARE DOUBLE SIDED



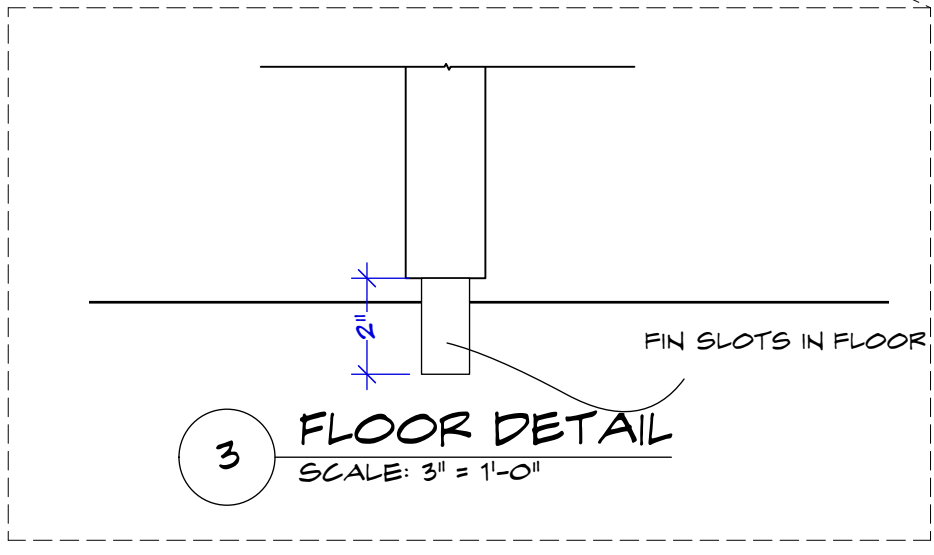
A TRACKING PANELS FRONT DOUBLE SIDED
 SCALE: 1/2" = 1'-0"



TRACKING PANEL PLAN VIEW
 SCALE: 1/2" = 1'-0"

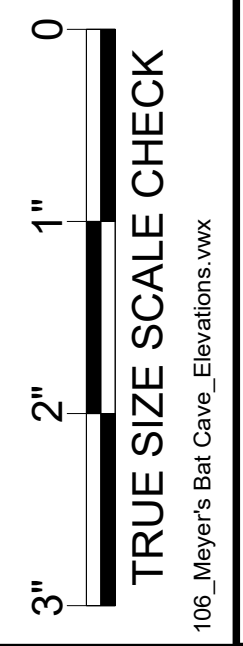


2 DETAIL
 SCALE: 3" = 1'-0"

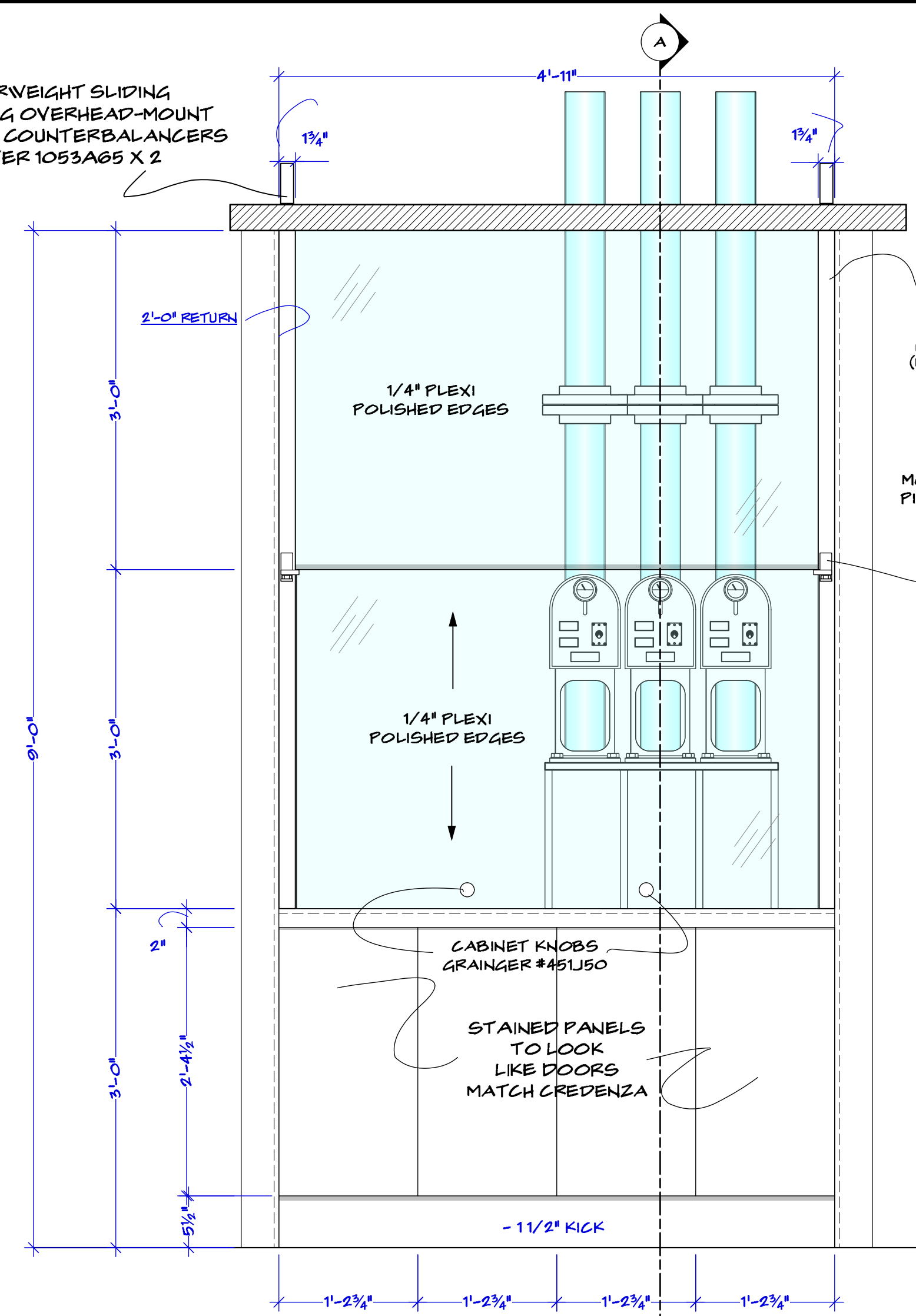


3 FLOOR DETAIL
 SCALE: 3" = 1'-0"

NOTE:
DISCUSS PLACEMENT
PLACEMENT OF SLIDES AND TRACK WITH TILE
USE SLIPPERY UHMW POLYETHYLENE BAR
(MCMASTER CARR 8702K432 OR SIMILAR)
ON EITHER SIDE OF FIN TRACK

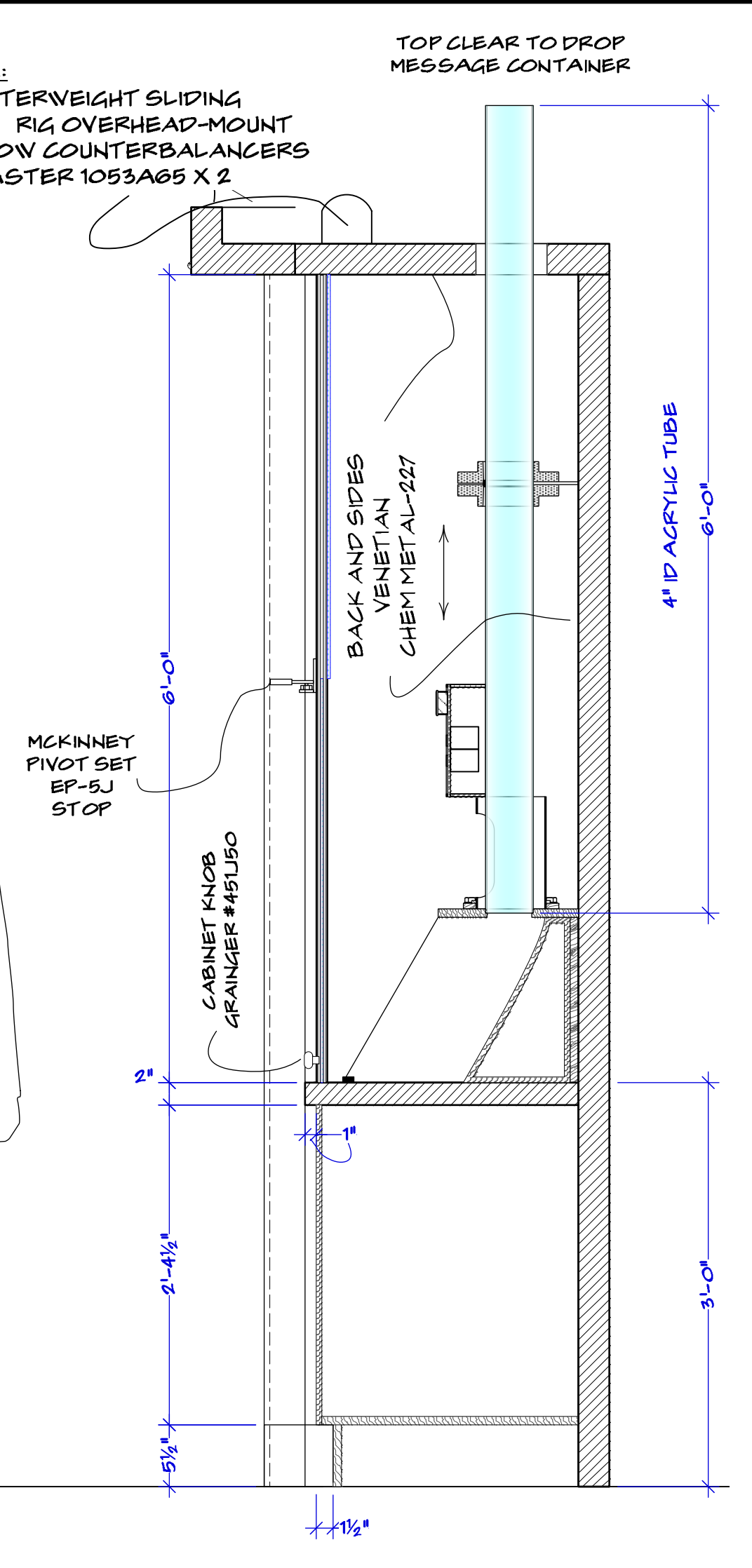


NOTE:
COUNTERWEIGHT SLIDING
PLEXI RIG OVERHEAD-MOUNT
WINDOW COUNTERBALANCERS
MCMASTER 1053A65 X 2

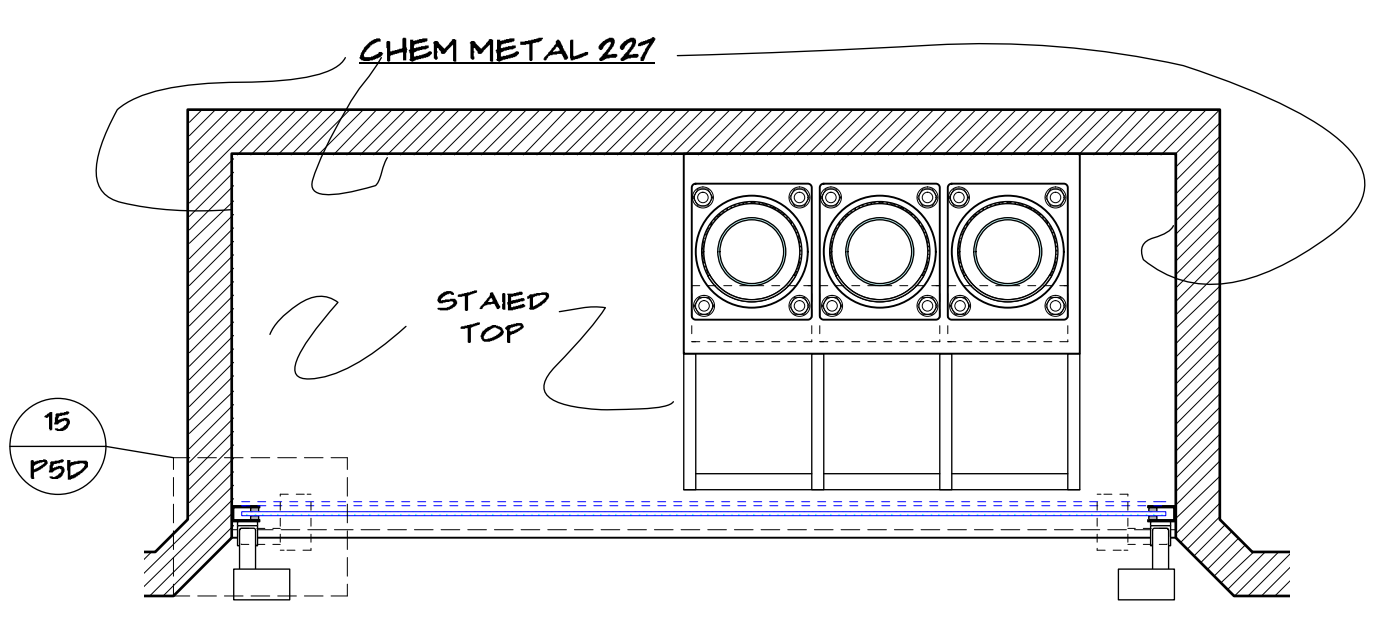


A FOOMP TUBE FRONT CABINET
SCALE: 1" = 1'-0"

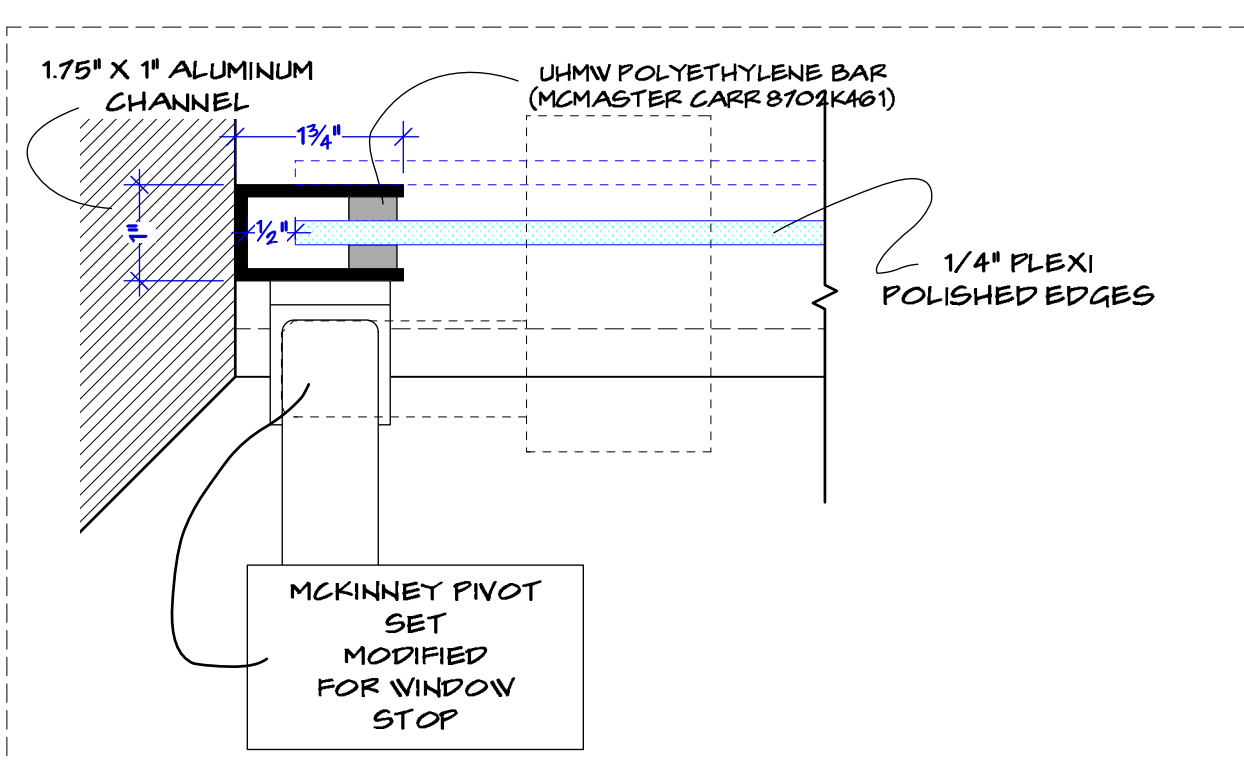
NOTE:
COUNTERWEIGHT SLIDING
PLEXI RIG OVERHEAD-MOUNT
WINDOW COUNTERBALANCERS
MCMASTER 1053A65 X 2



A-A FOOMP TUBE SECTION A-A
SCALE: 1" = 1'-0"



15 FOOMP TUBE CABINET PLAN
SCALE: 1" = 1'-0"



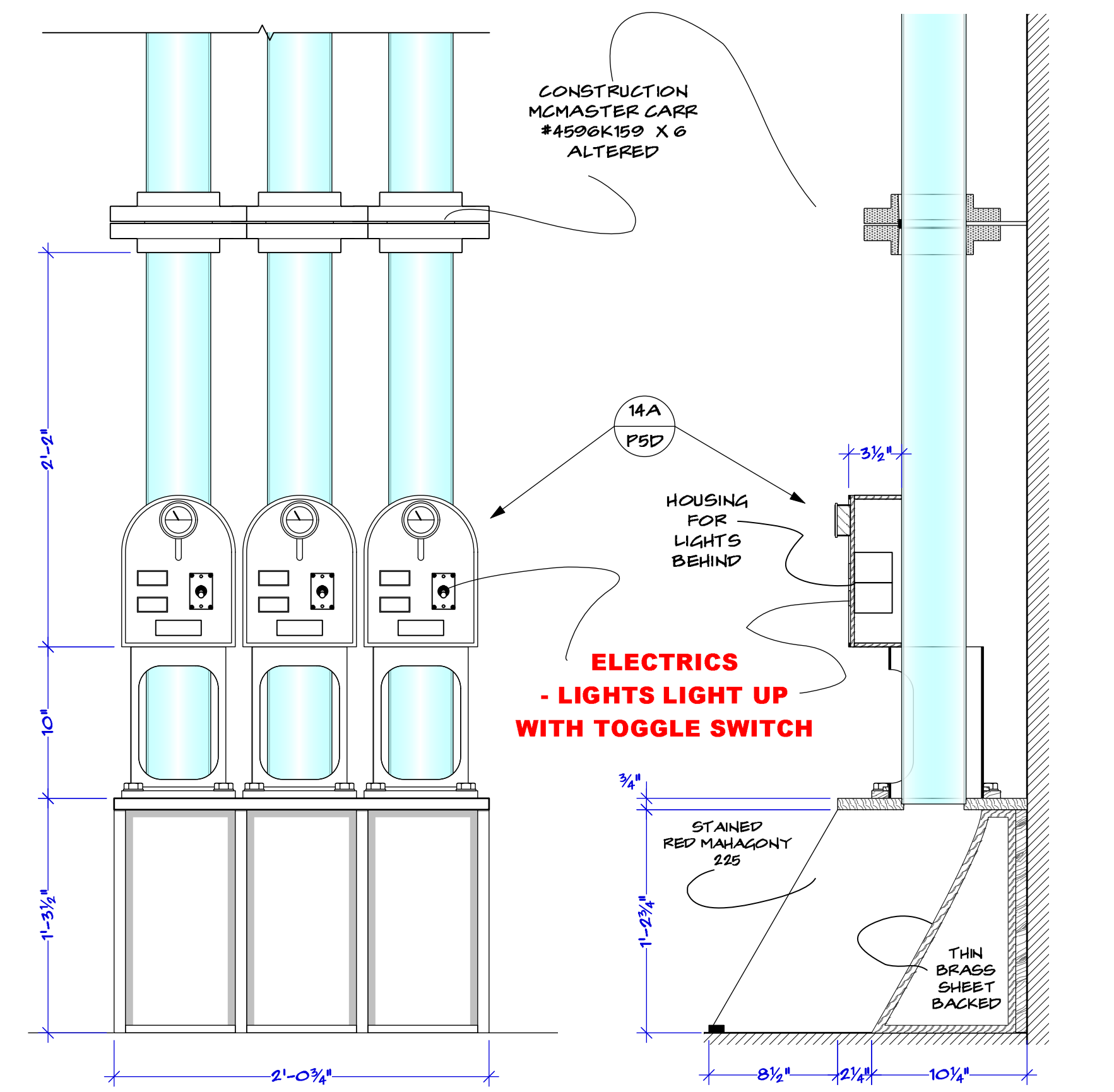
15 WINDOW "TRACK" DETAIL
SCALE: HALF ACTUAL SIZE



REFERENCE IMAGE 1

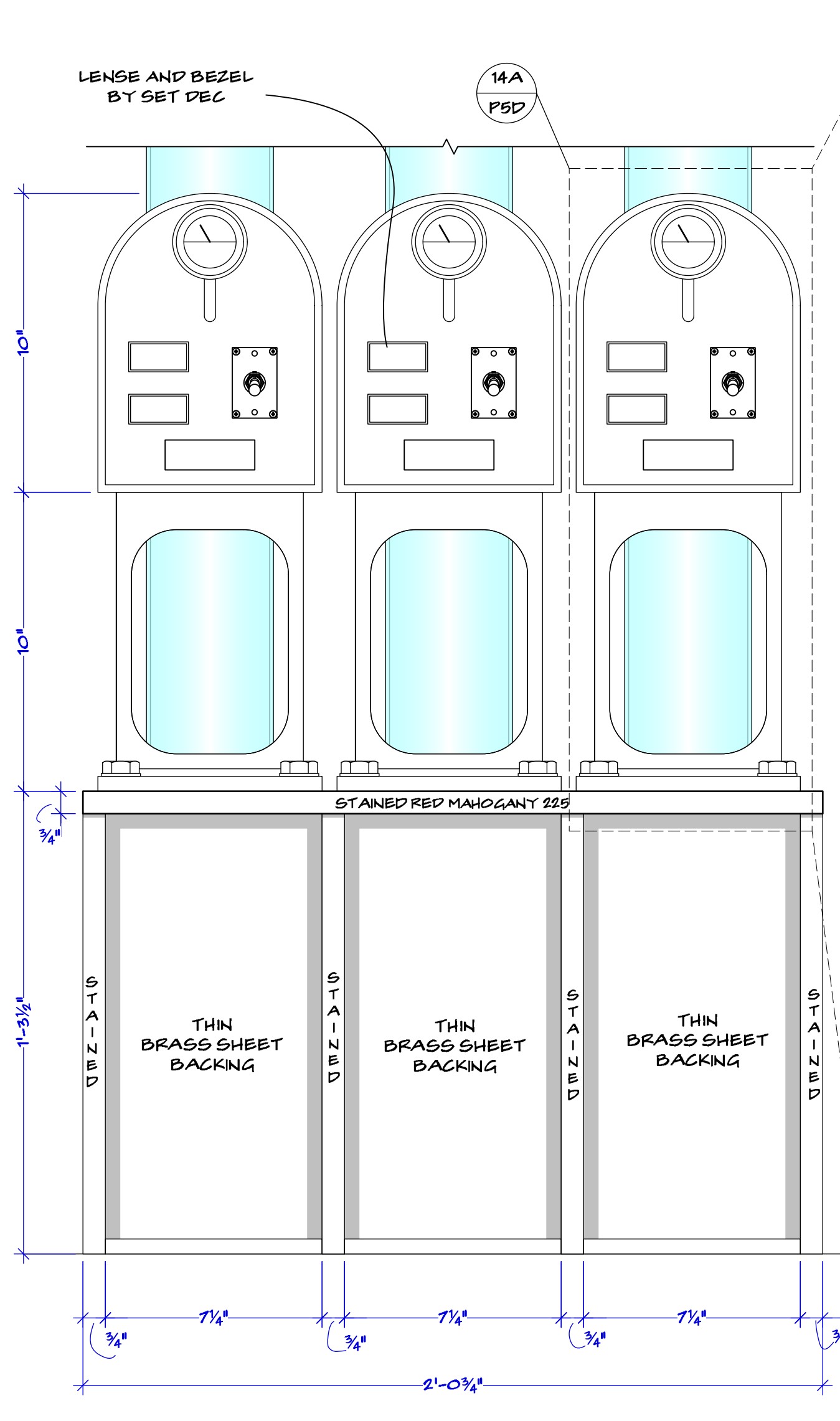


REFERENCE IMAGE 1

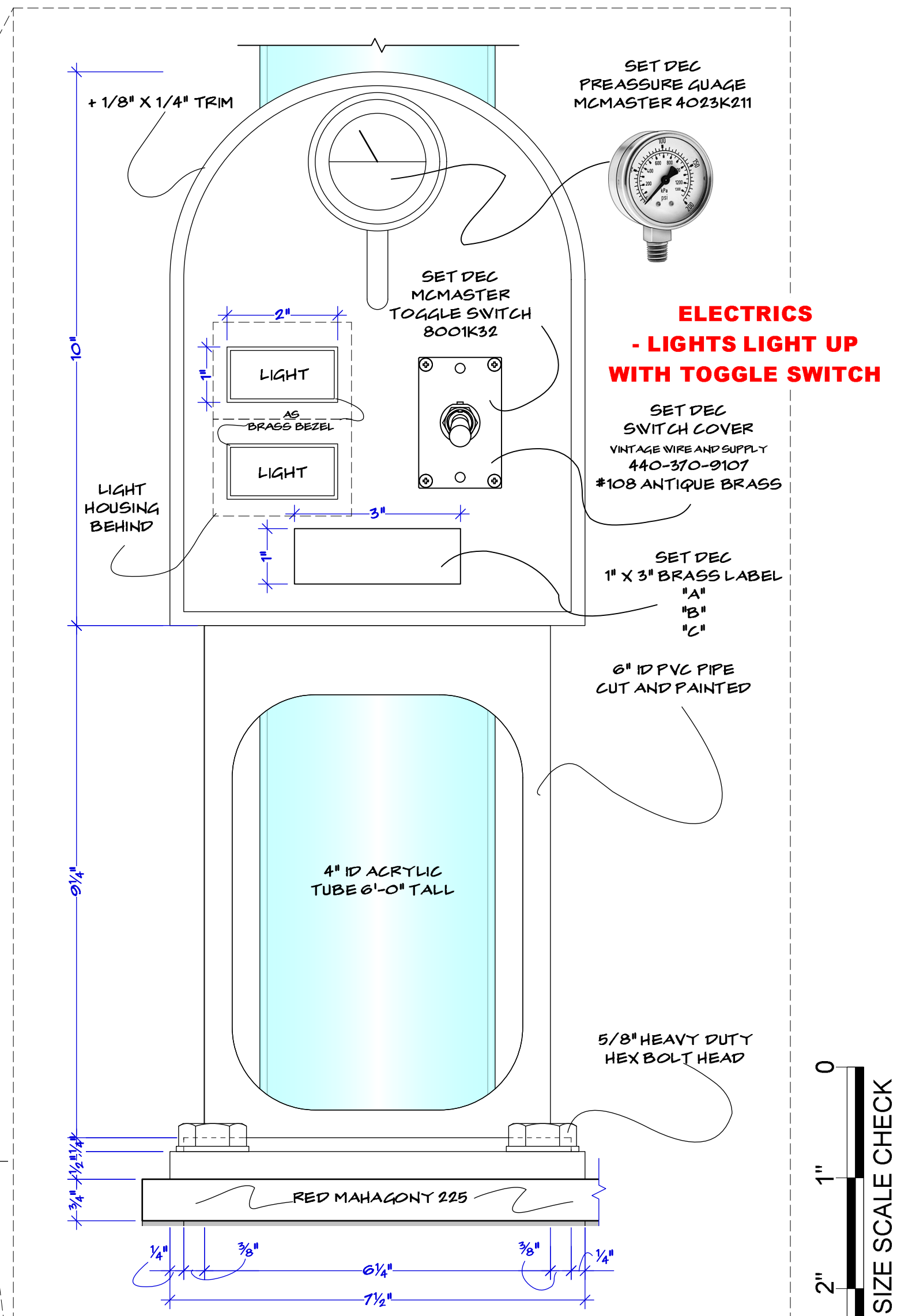


14 FOOMP TUBE ASSEMBLY
SCALE: 1 1/2" = 1'-0"

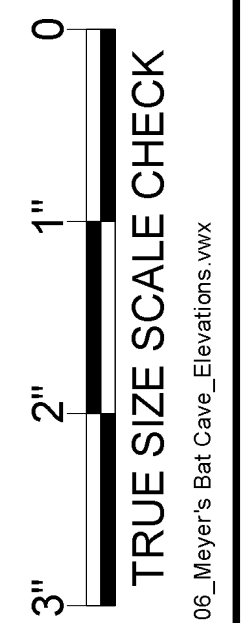
14A TUBE ASSEMBLY SECTION
SCALE: 1 1/2" = 1'-0"



14 TUBES FRONT DETAIL
SCALE: 3" = 1'-0"



14A LARGE TUBE DETAIL
SCALE: HALF ACTUAL SIZE

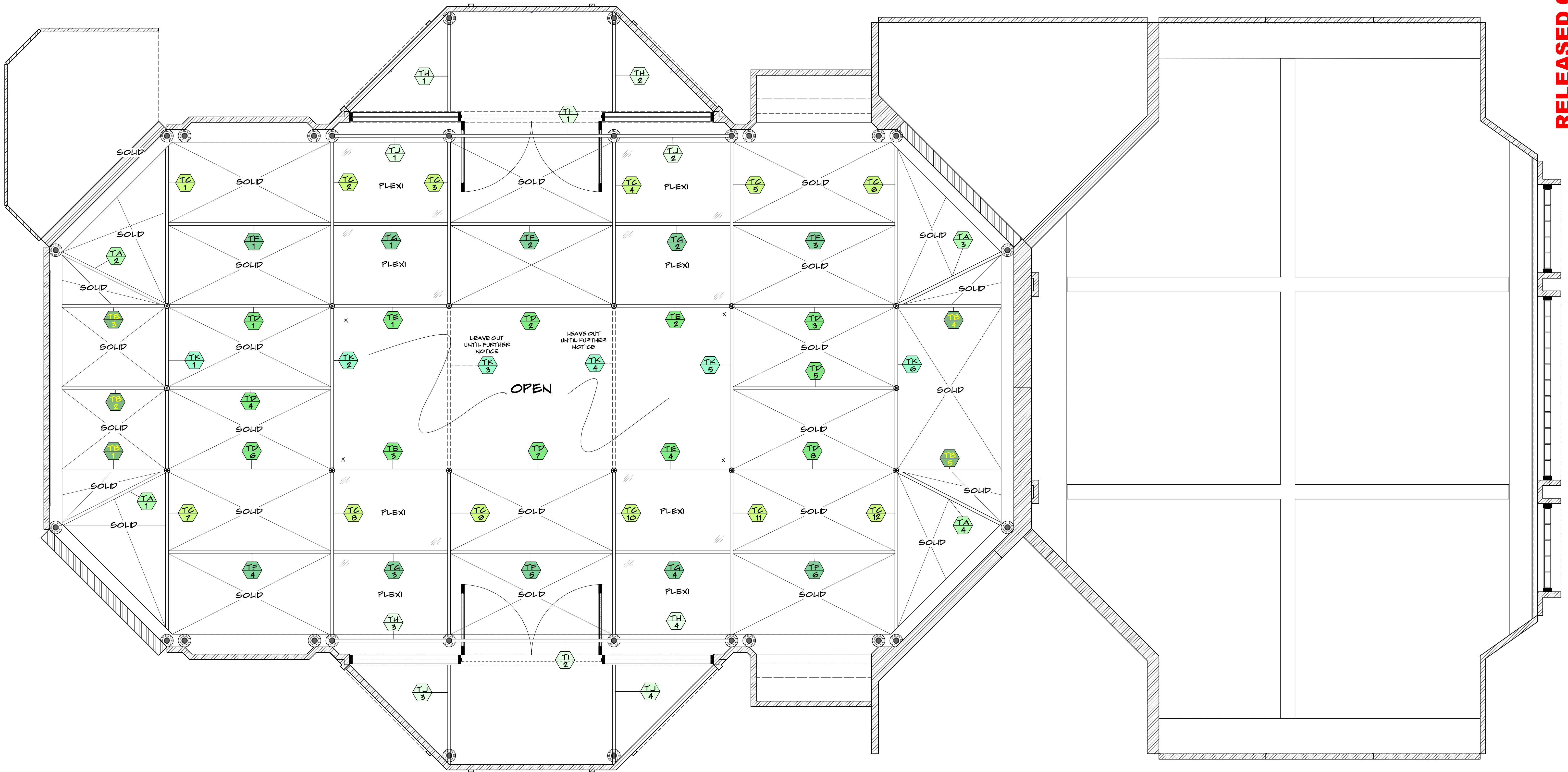


TRUE SIZE SCALE CHECK
106_Meyer's Bat Cave_Elevations.vrx

RELEASED 03/27/2019

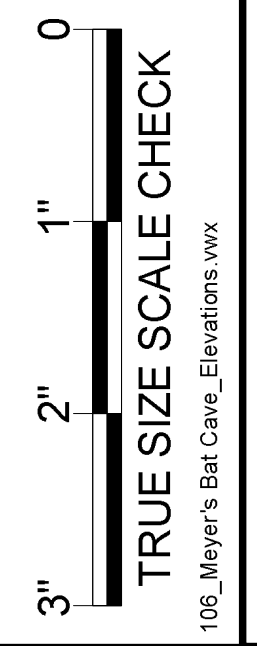
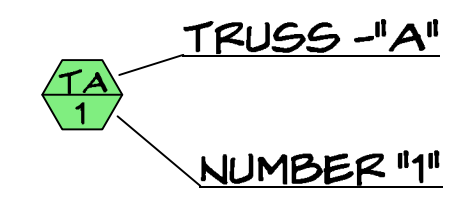
Episode:	AMORT	Director:	VARIOUS
Set #:	106	Location:	STAGE 28
Scale:	NOTED		
Drawing Date:	4/6/2020	Produced by:	JERRY KUPFER
Shot Date:	04/05/2018	Line Producer:	BILL SELL
Drawn by:	M. FAHRER	Address:	STEINER STUDIO 15 WASHINGTON AVE
Sheet No.:	106-05D	Art Director:	MARCI MUDD
		Constr. Coordinator:	NILES NORTON
		Set Decorator:	SUSAN MARSHAL





RC REFLECTED CEILING
SCALE: 1/2" = 1'-0"

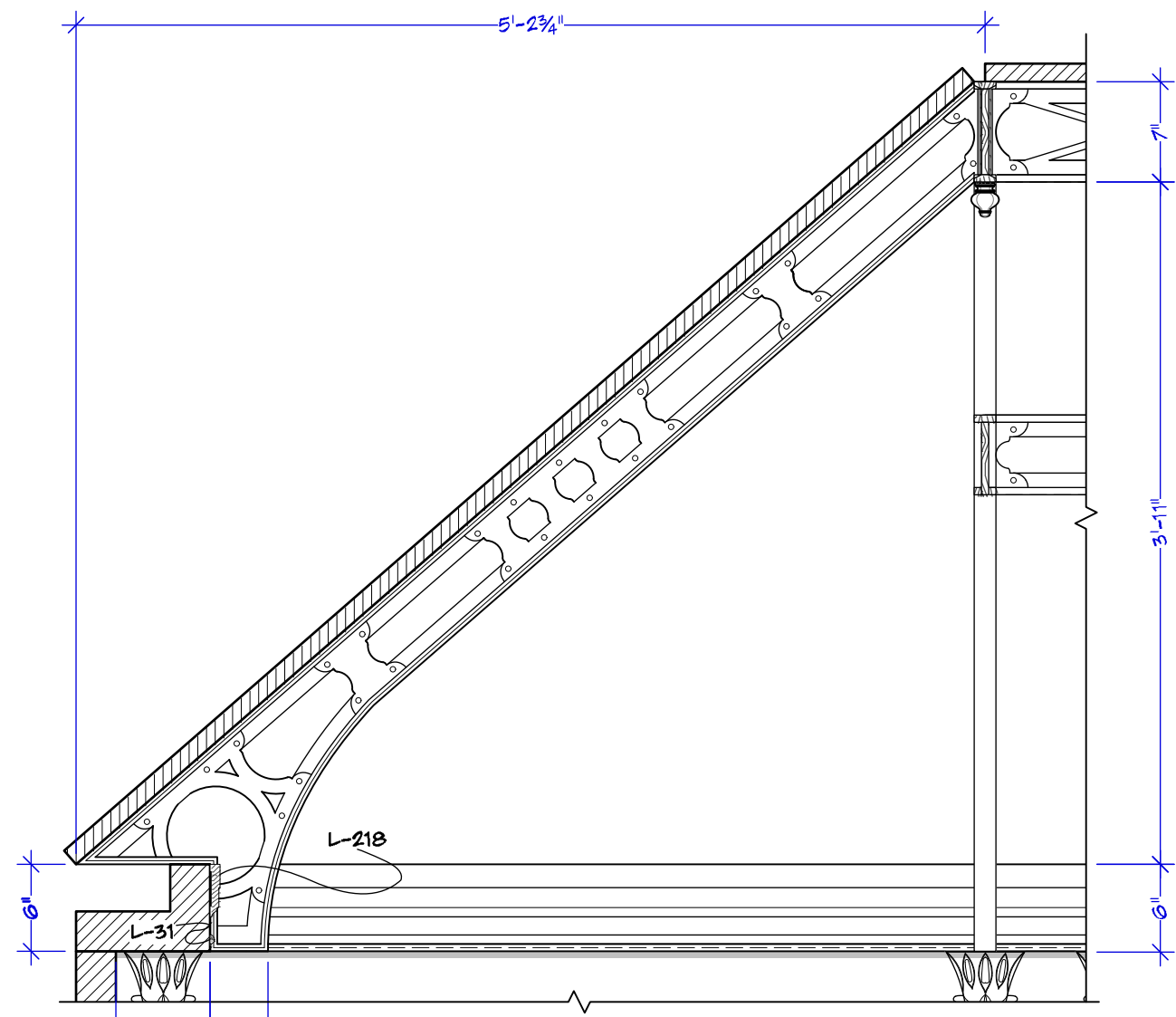
TRUSS LABEL KEY



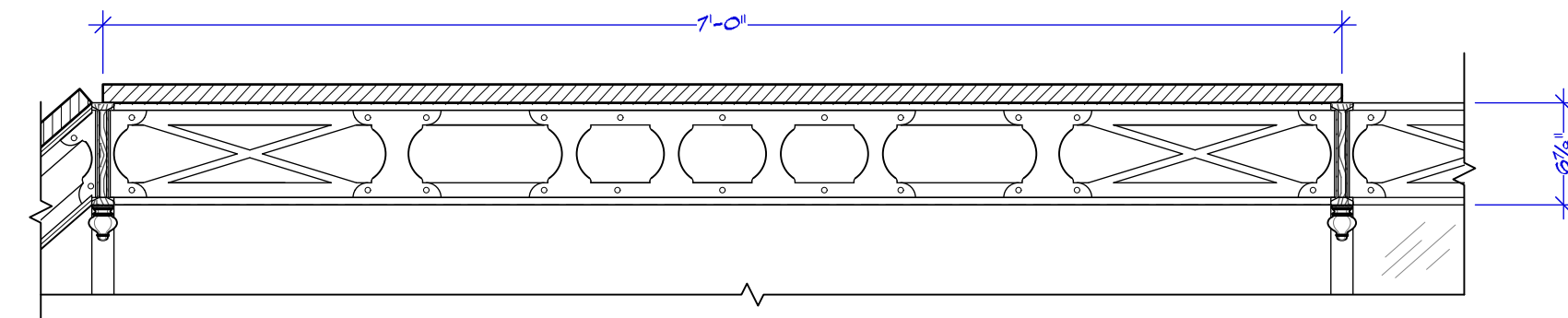
RELEASED 02/28/2019

Exec Producer: NIKKI TOSCANO Line Producer: BILL SELL Address: STEINER STUDIO 15 WASHINGTON AVE Prod. Designer: CURT BEECH Set Decorator: SUSAN MARSHAL	Producer: JERRY KUPFER UPM: BILL SELL Art Director: MARCO MUDD Const. Coordinator: NILES NORTON	Set Name & Description: MEYER'S BAT CAVE CEILING REFLECTED	Episode: AMORT	Drawn Date: 4/6/2020	Drawn By: M. FAHRER
Director: VARIOUS	Location: STAGE 28	Set #: 106	Scale:	Shot Date: XX/XX/2018	Sheet No.: 106-06
			NOTED		

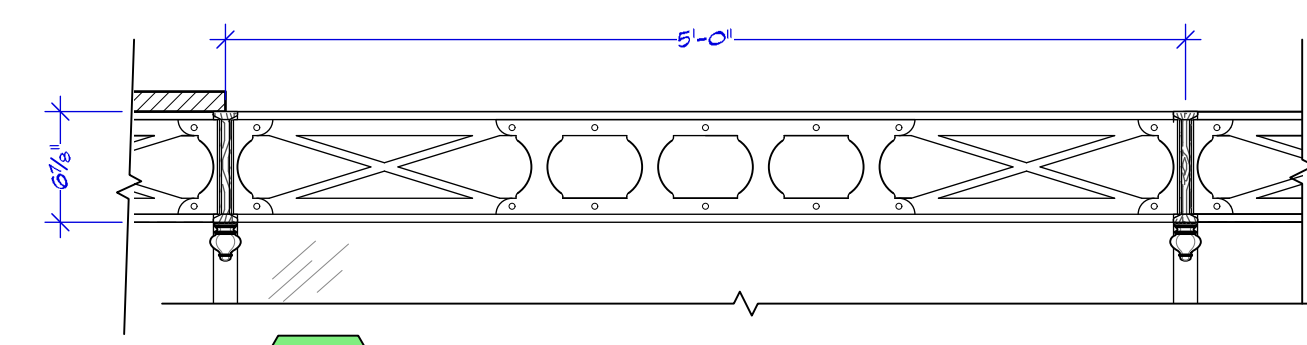




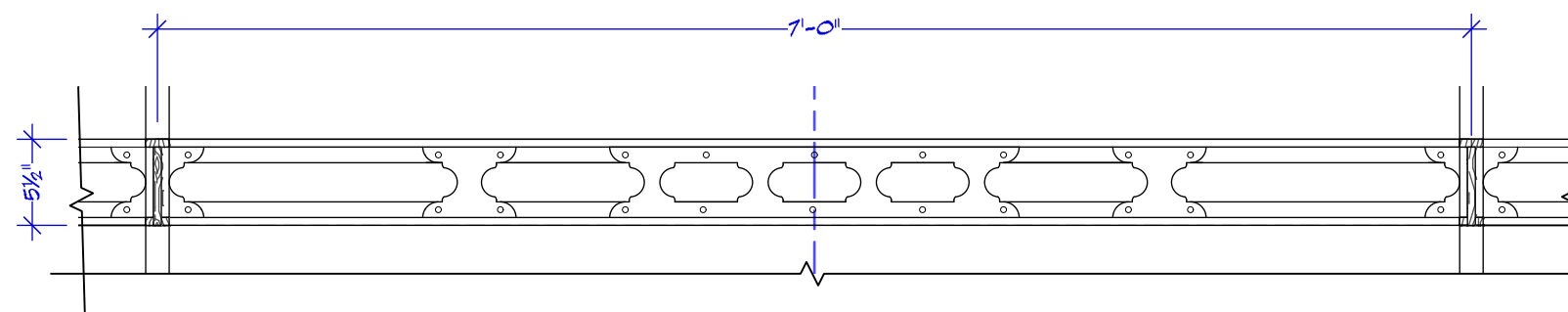
TB ANGEL TRUSS "B" DETAIL MAKE 5
SCALE: 1" = 1'-0"



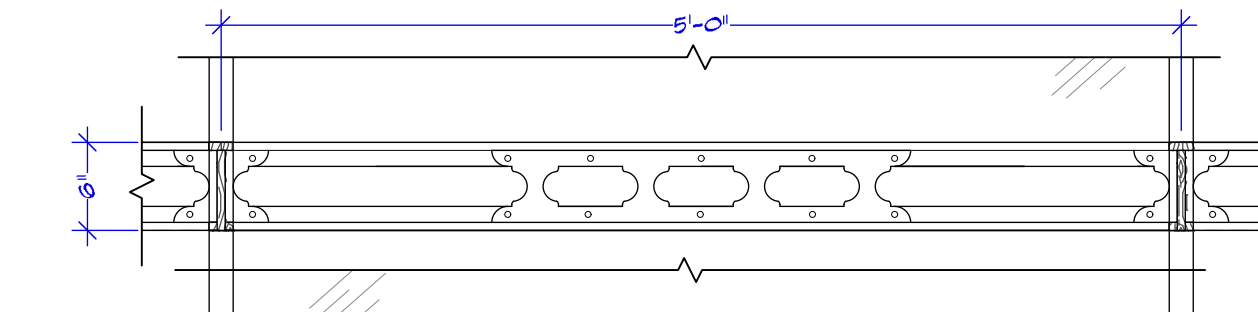
TD UPPER TRUSS "D" MAKE 9
SCALE: 1" = 1'-0"



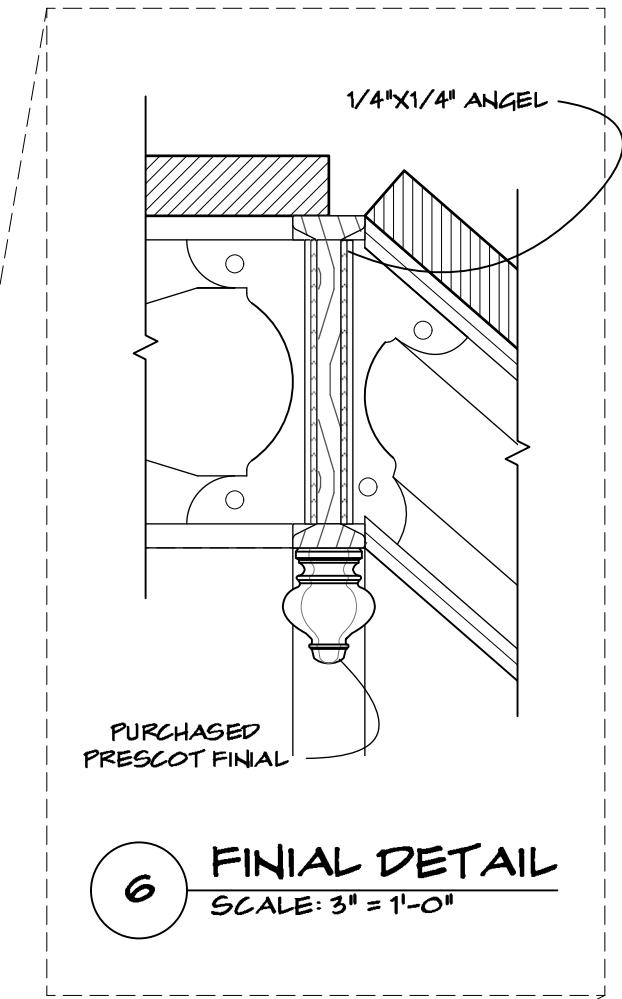
TE UPPER TRUSS "E" MAKE 6
SCALE: 1" = 1'-0"



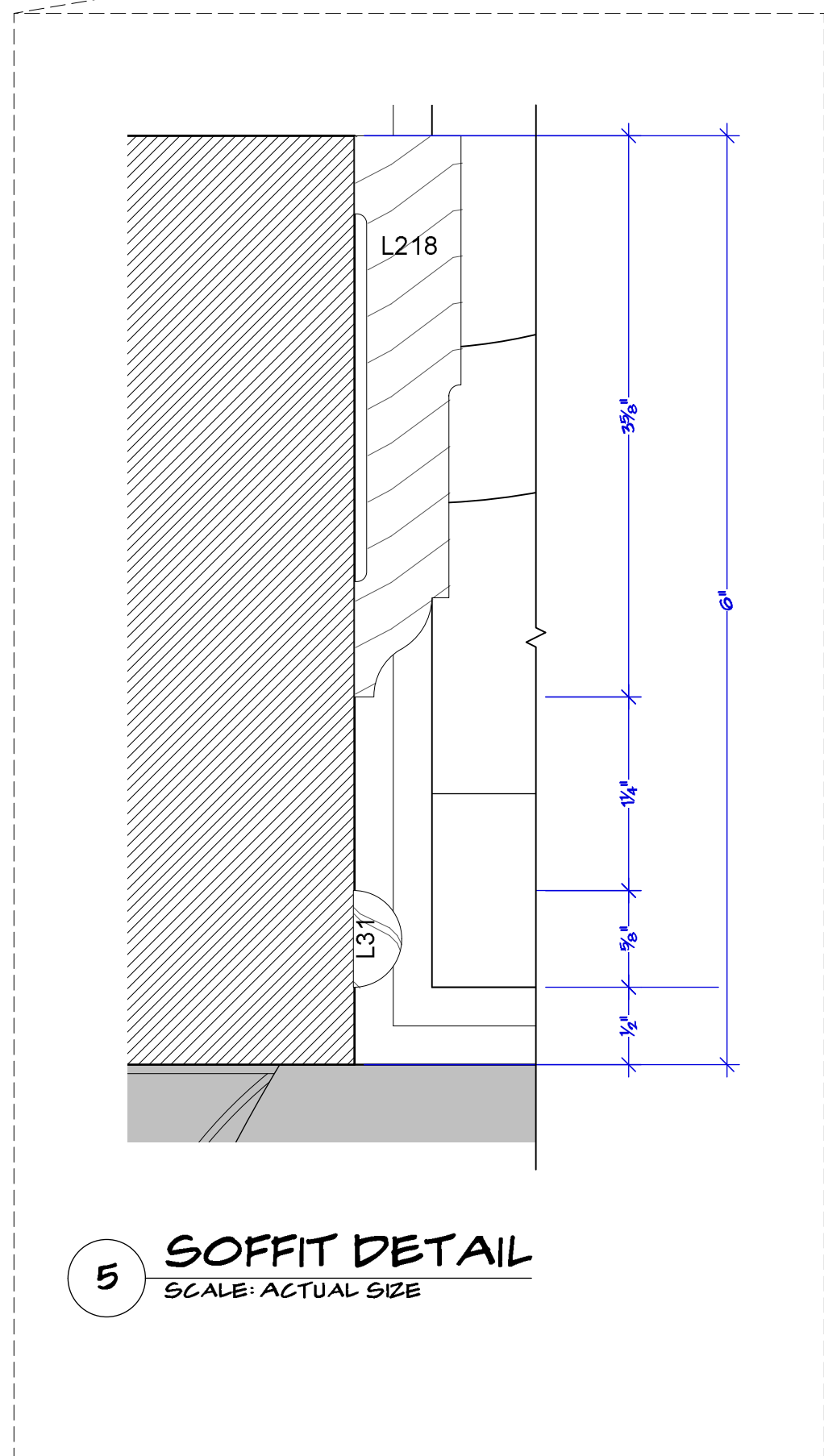
TF LOWER TRUSS "F" MAKE 6
SCALE: 1" = 1'-0"



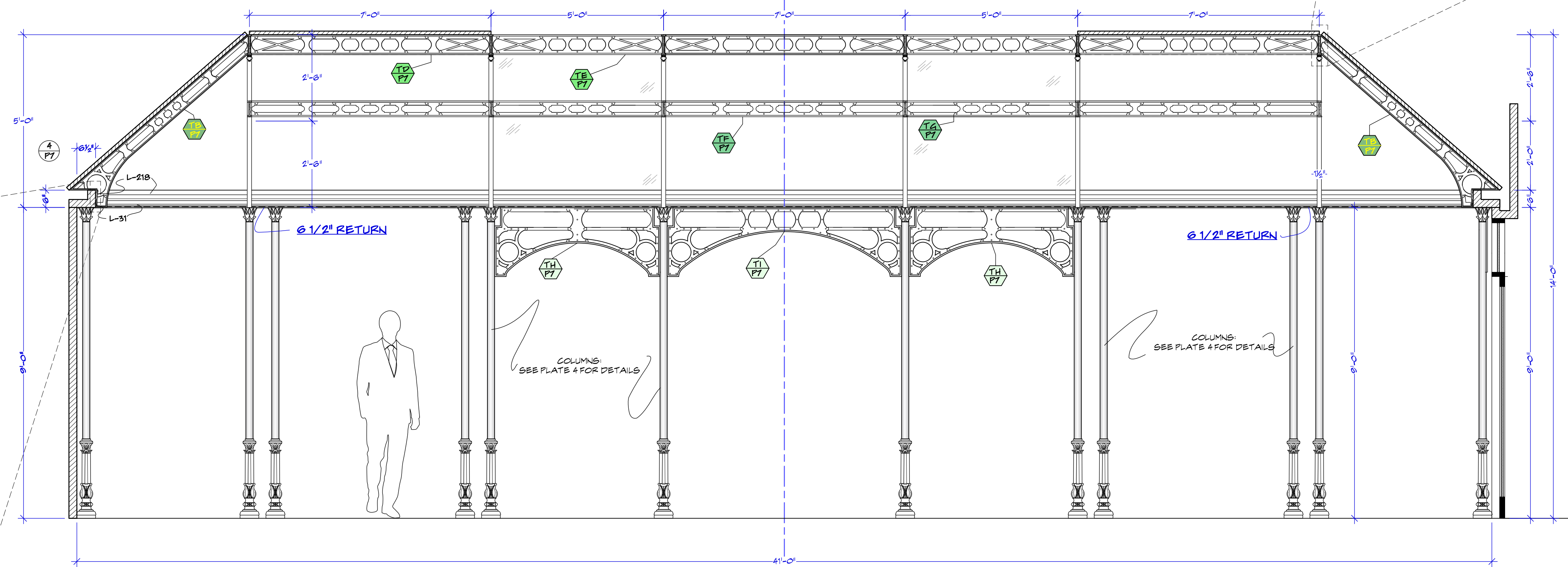
TG LOWER TRUSS "G" MAKE 4
SCALE: 1" = 1'-0"



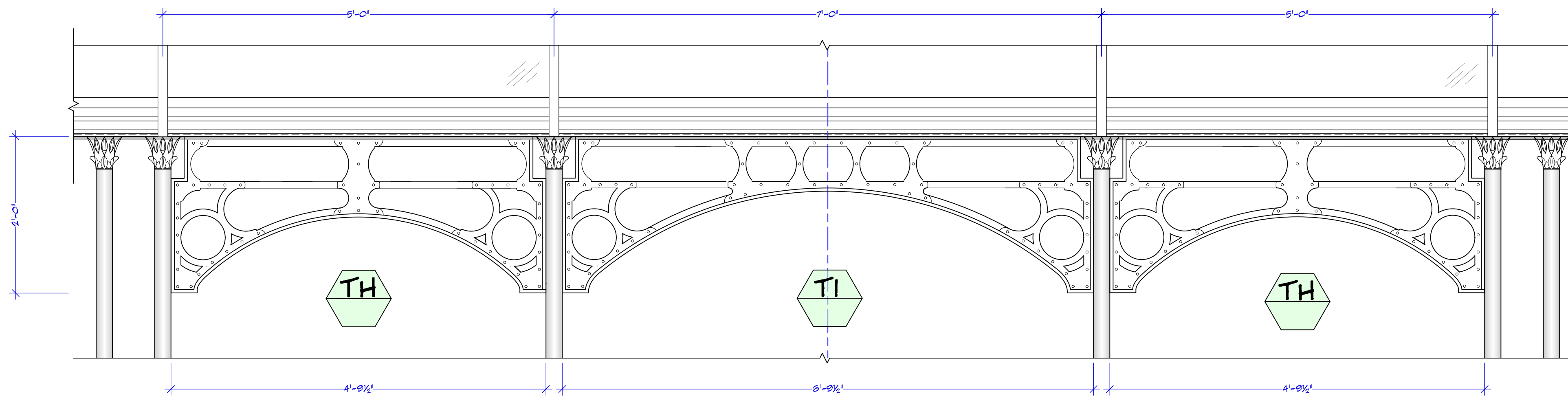
6 FINIAL DETAIL
SCALE: 3" = 1'-0"



5 SOFFIT DETAIL
SCALE: ACTUAL SIZE



CL CEILING SECTION THROUGH CENTER LINE
SCALE: 1/2" = 1'-0"



STORE FRONT TRUSS REVERSE AND REPEAT
SCALE: 1" = 1'-0"

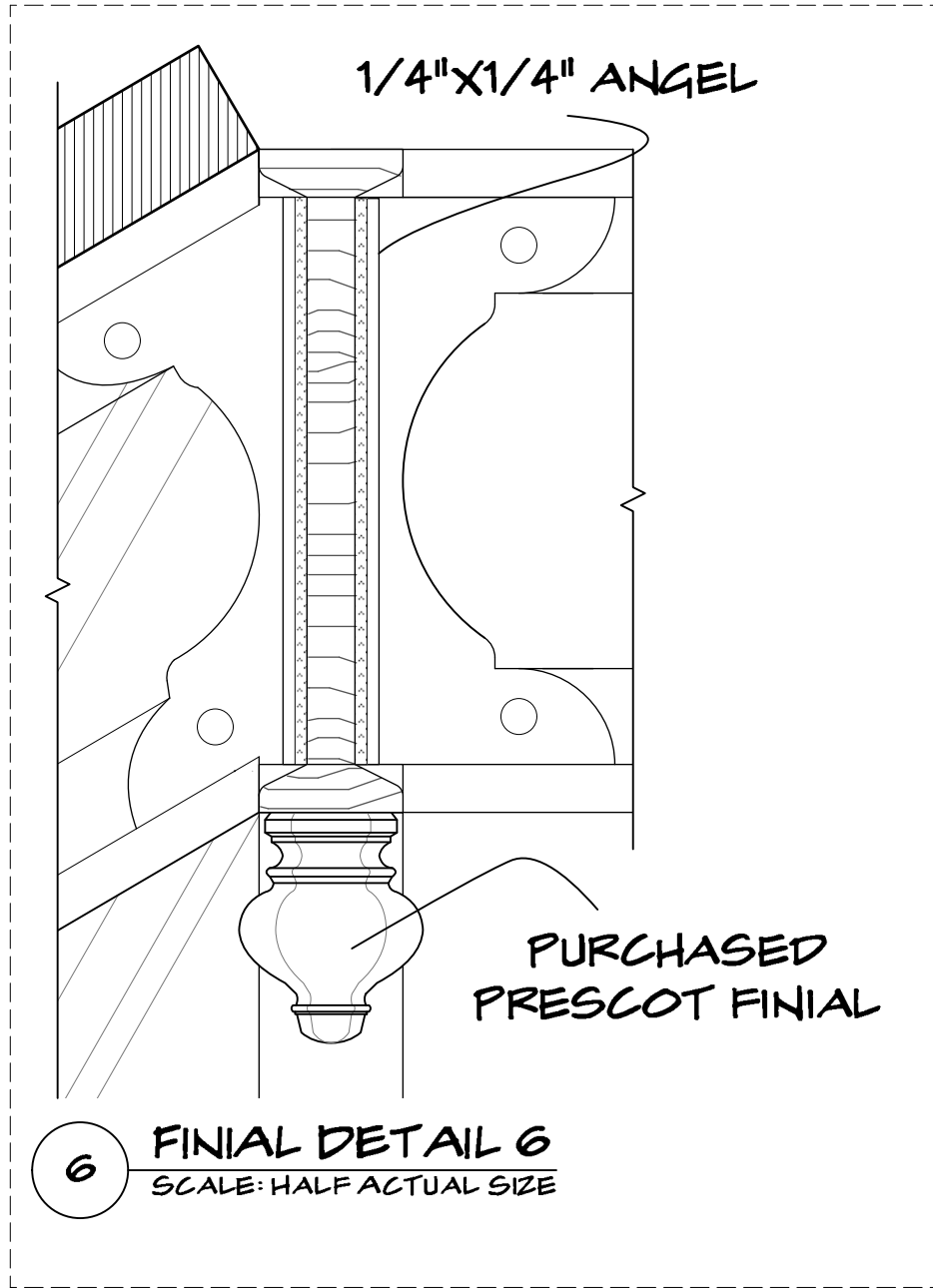


TRUE SIZE SCALE CHECK
106_Meyer's Bat Cave_Elevations.rvt

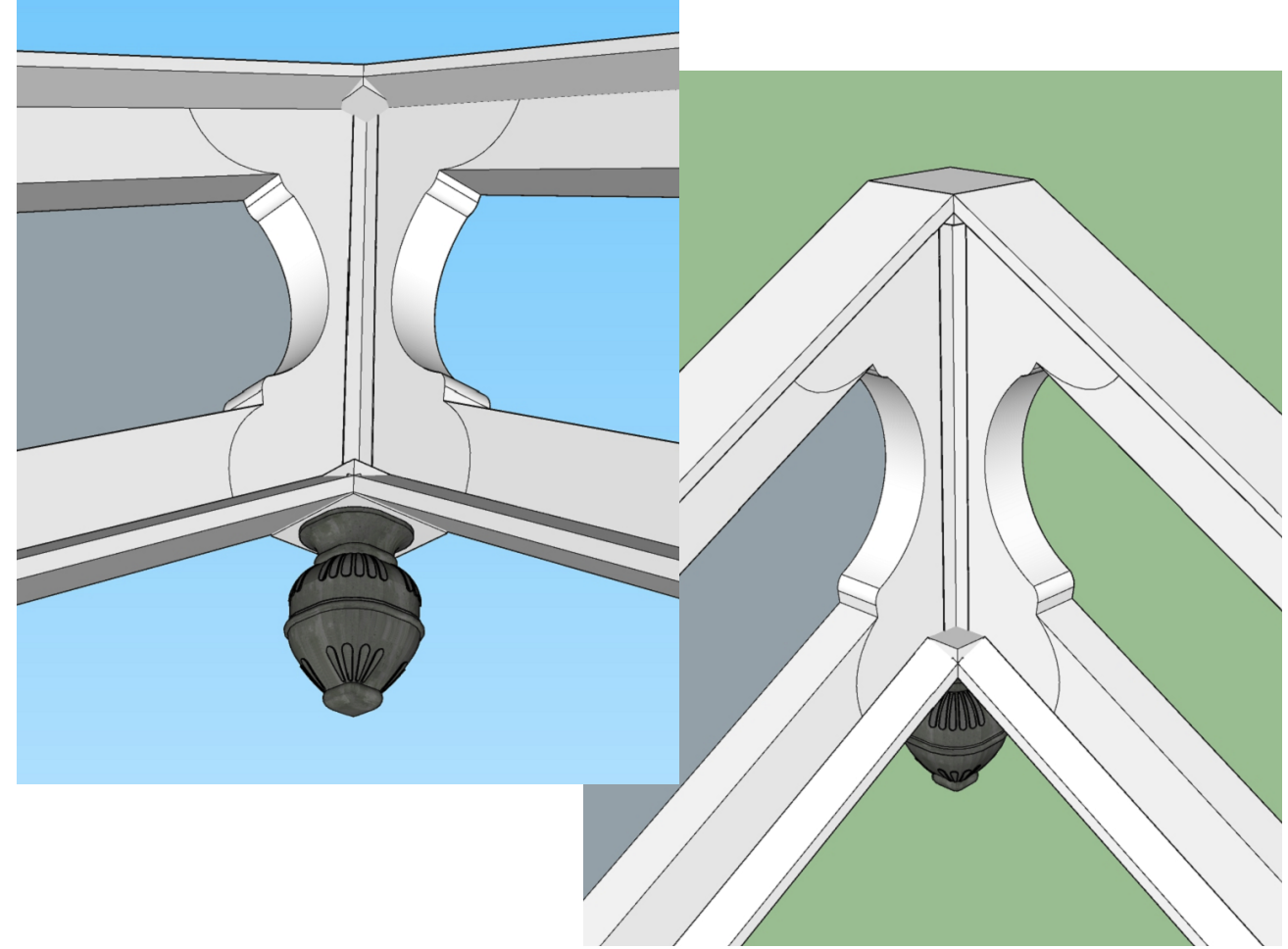
RELEASED 02/28/2019

Drawing Date: 4/6/2020		Drawn by: M. FAHRER	
Set #: 106		Sheet No.: 106-07	
Episode: AMORT		Shot Date: XX/XX/2018	
Set Name & Description: MEYER'S BAT CAVE CEILING		Status: NOTED	
Director: VARIOUS		Scale:	
Location: STAGE 28			
Exec Producer: NIKKI TOSCANO	Producer: JERRY KUPFER		
Line Producer: BILL SELL	UPM: BILL SELL		
Address: STEINER STUDIO 15 WASHINGTON AVE			
Prod. Designer: CURT BEECH	Art Director: MARCO MUDD		
Set Decorator: SUSAN MARSHAL	Const. Coordinator: NILES NORTON		

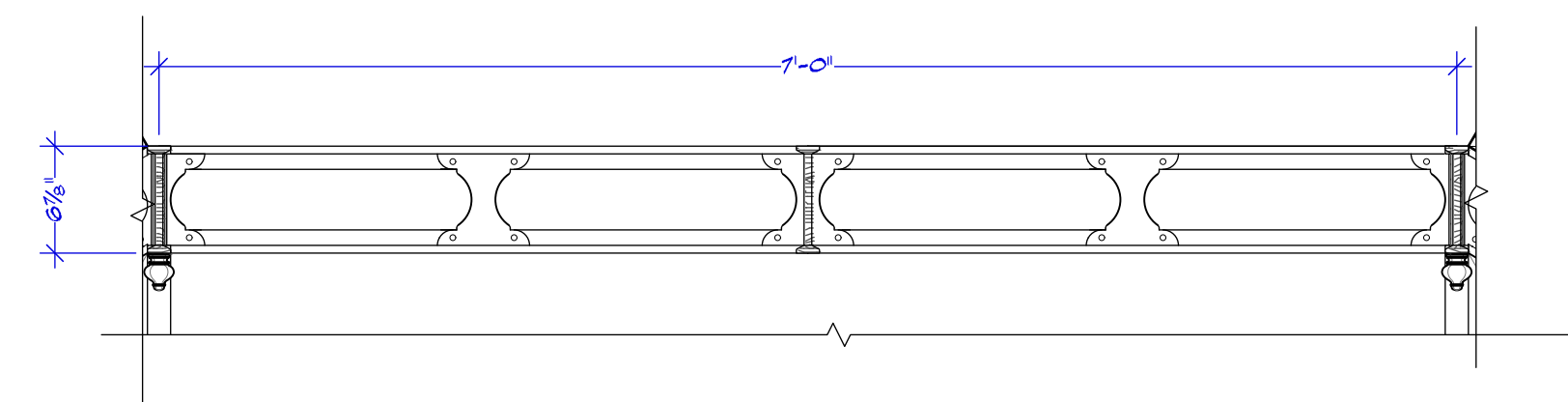




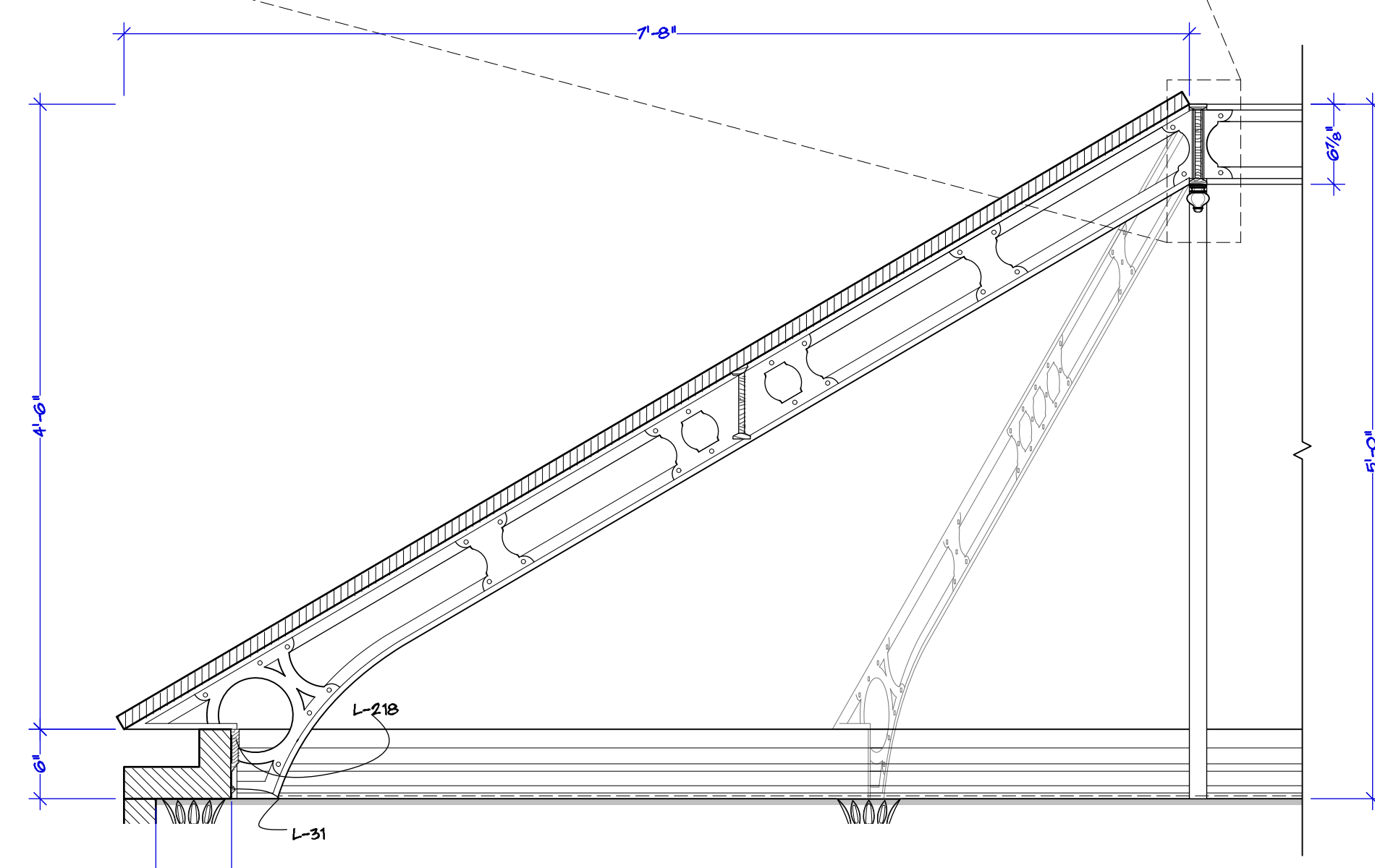
6 FINIAL DETAIL 6
 SCALE: HALF ACTUAL SIZE



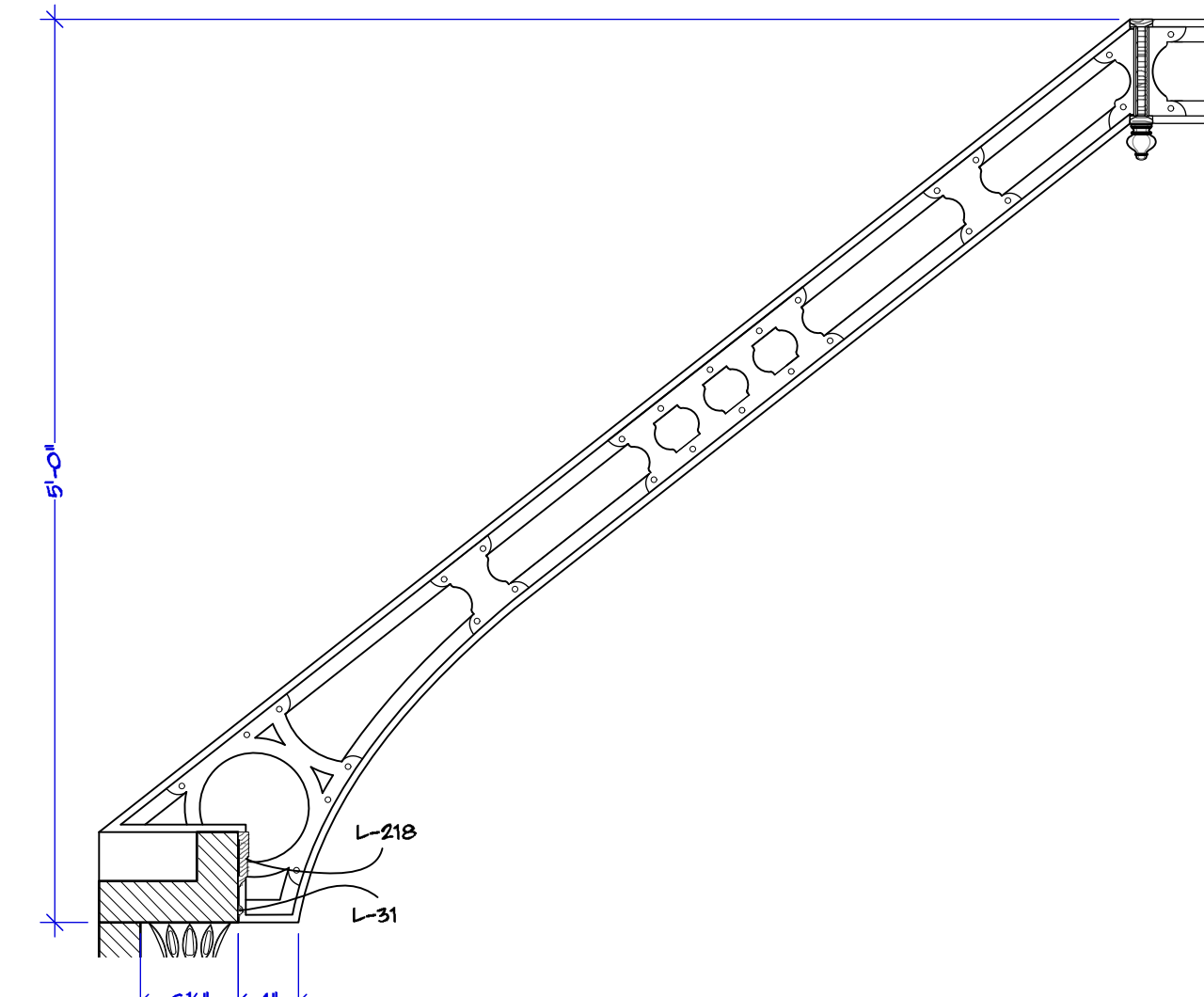
FINIAL ATTACHMENT
 REFERENCE IMAGE



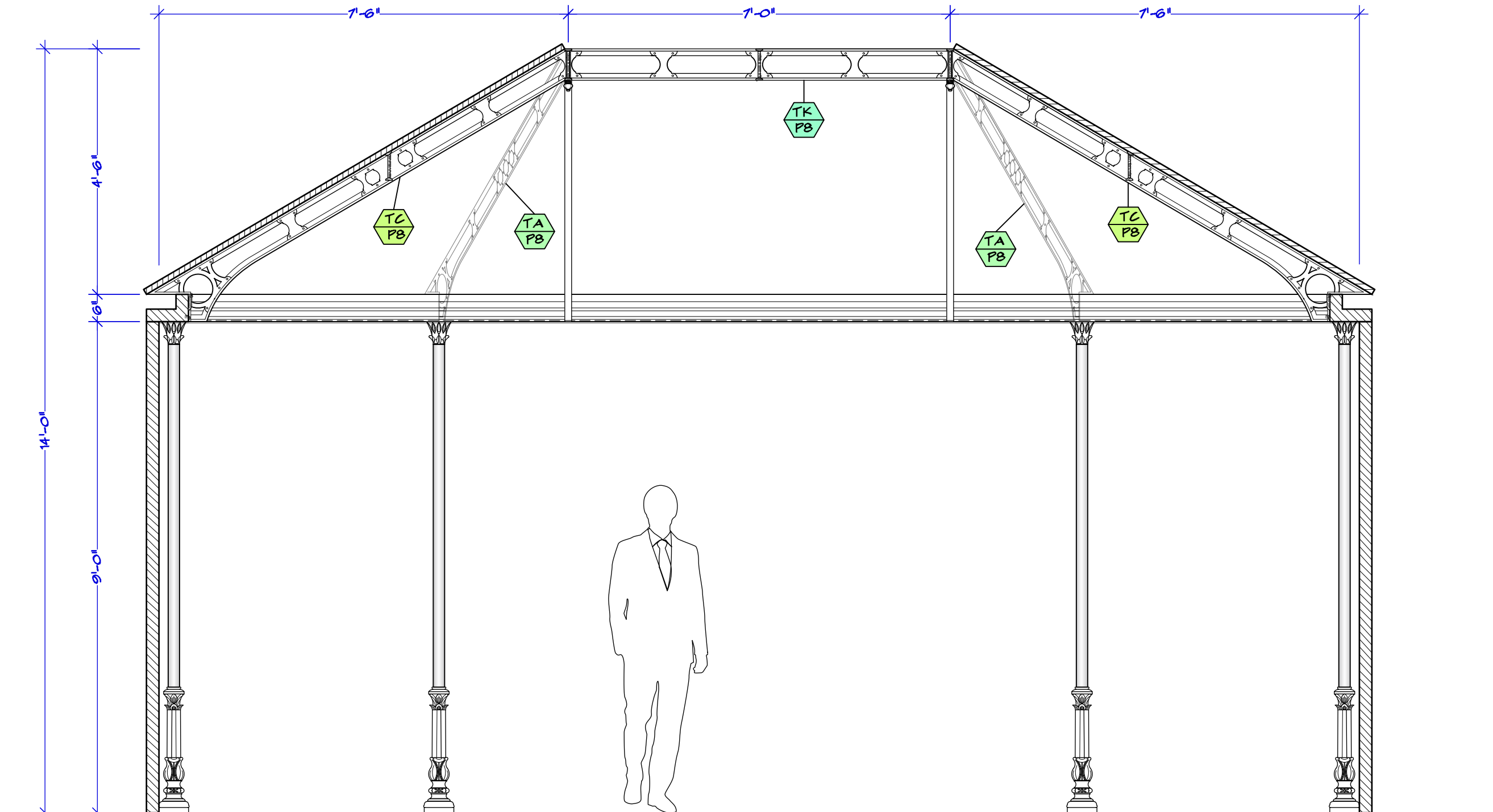
TK TRUSS "K" MAKE 6
 SCALE: 1" = 1'-0"



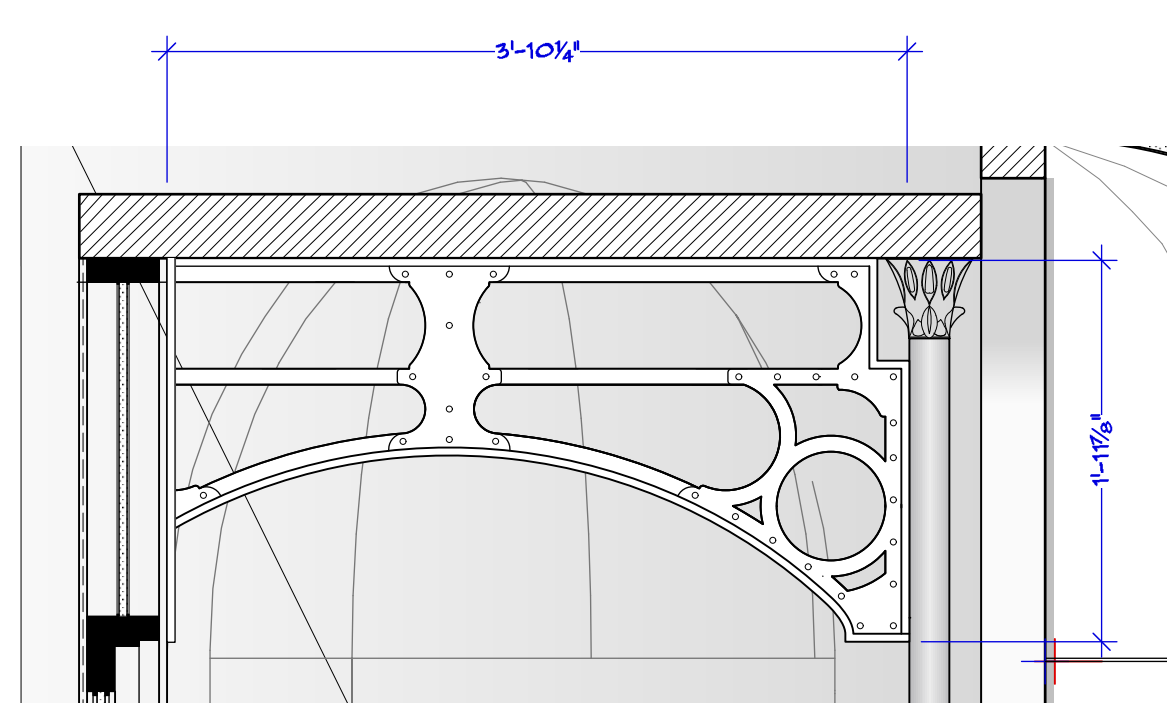
TC TRUSS "C" DETAIL MAKE 12
 SCALE: 1" = 1'-0"



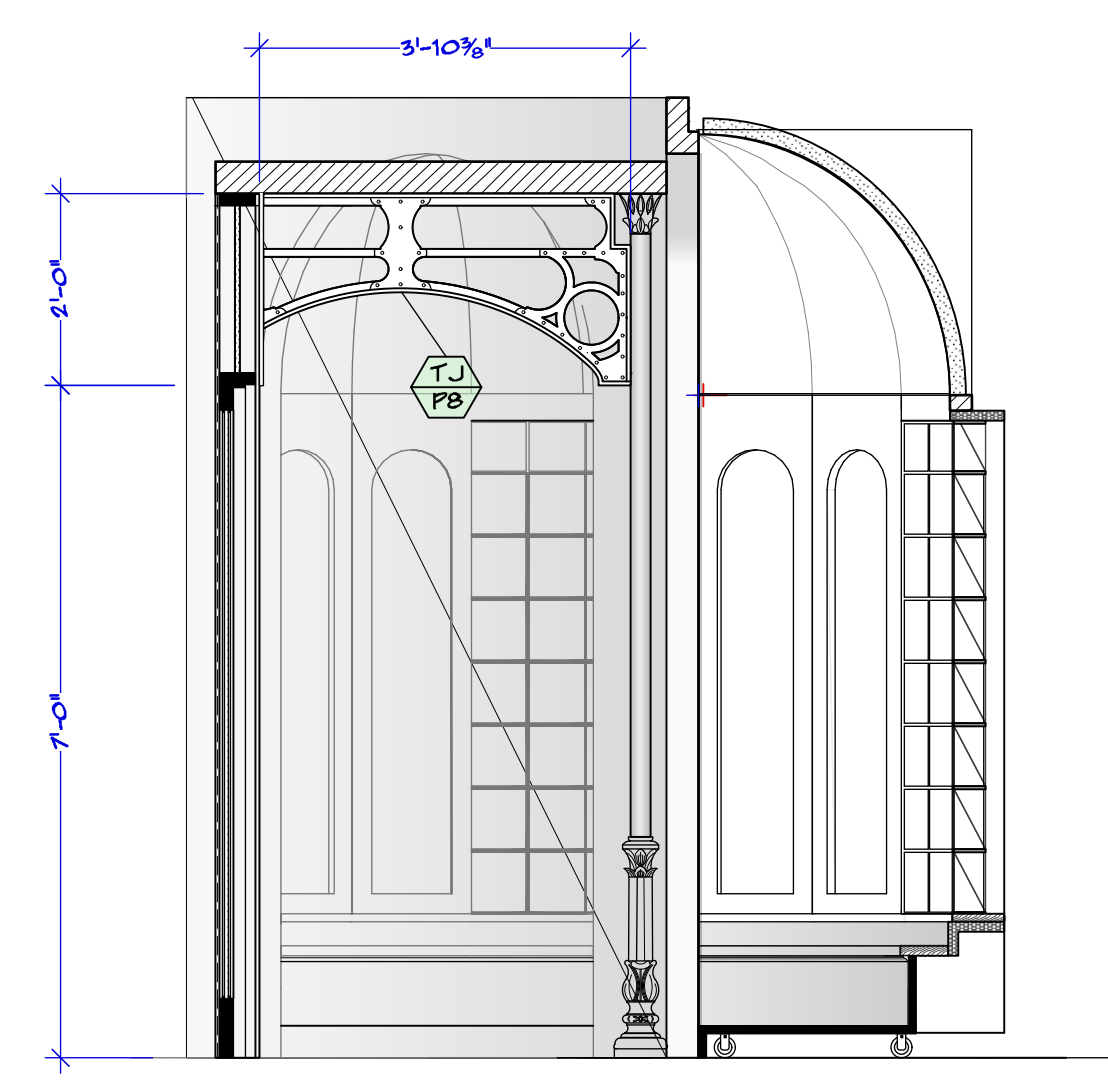
TA TRUSS "A" MAKE 4
 SCALE: 1" = 1'-0"



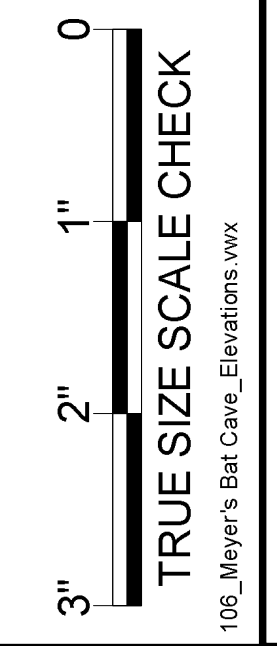
SECTION AT MIDPOINT
 SCALE: 1/2" = 1'-0"



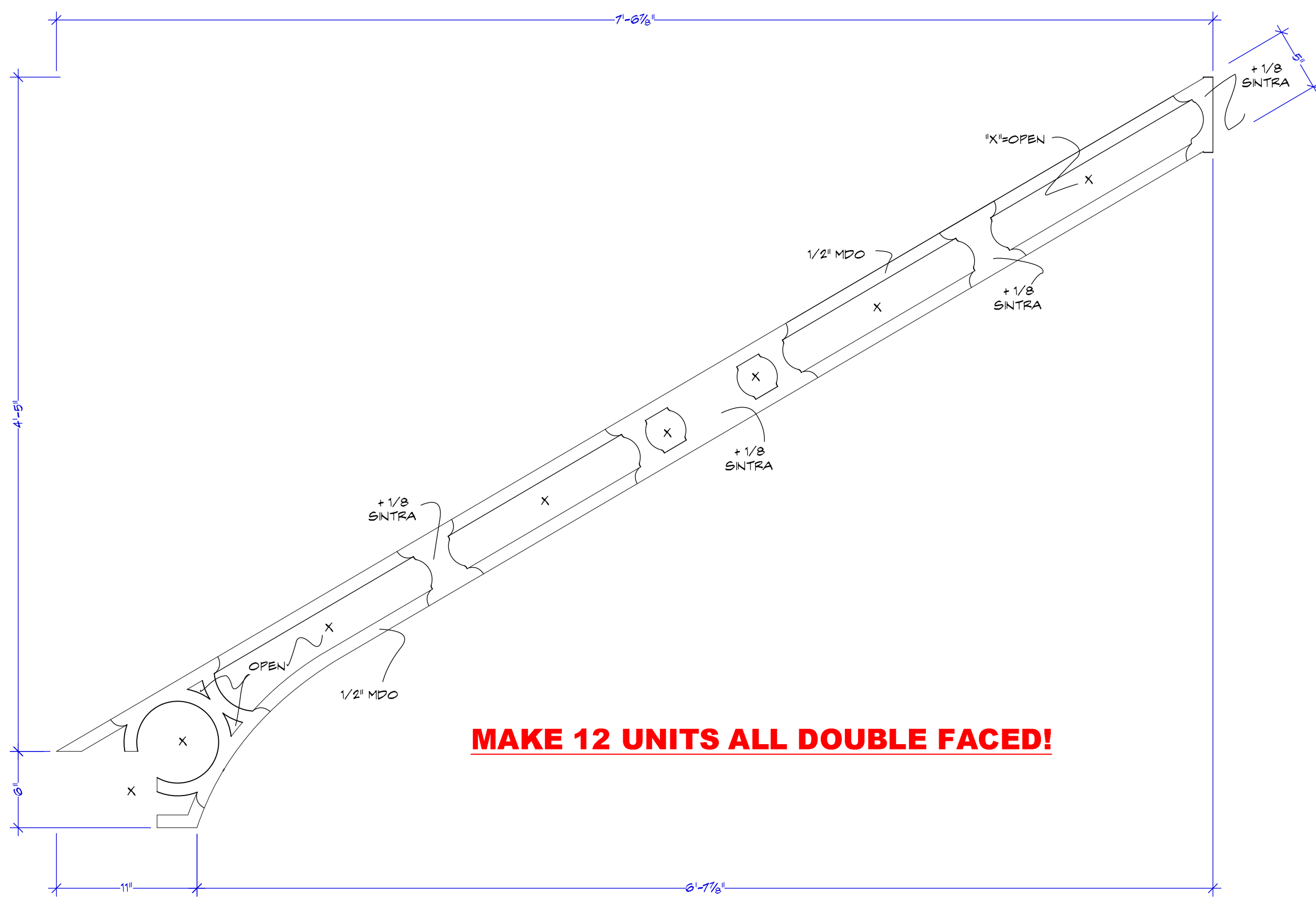
TJ TRUSS "J" MAKE 4
 SCALE: 1" = 1'-0"



E NICHE SECTION THROUGH CENTER
 SCALE: 1/2" = 1'-0"

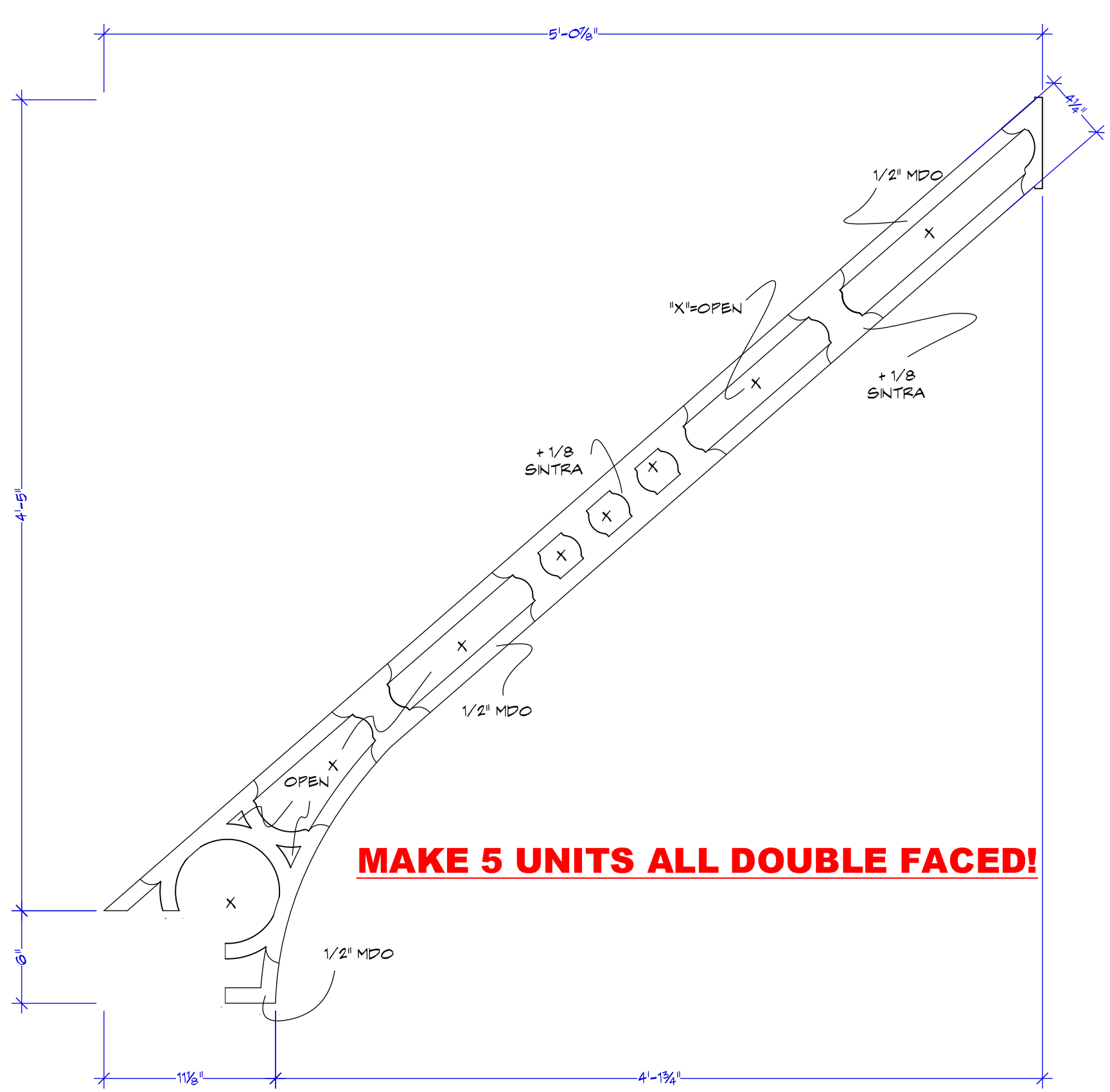


106_Meyer's Bat Cave_Elevations.vwx



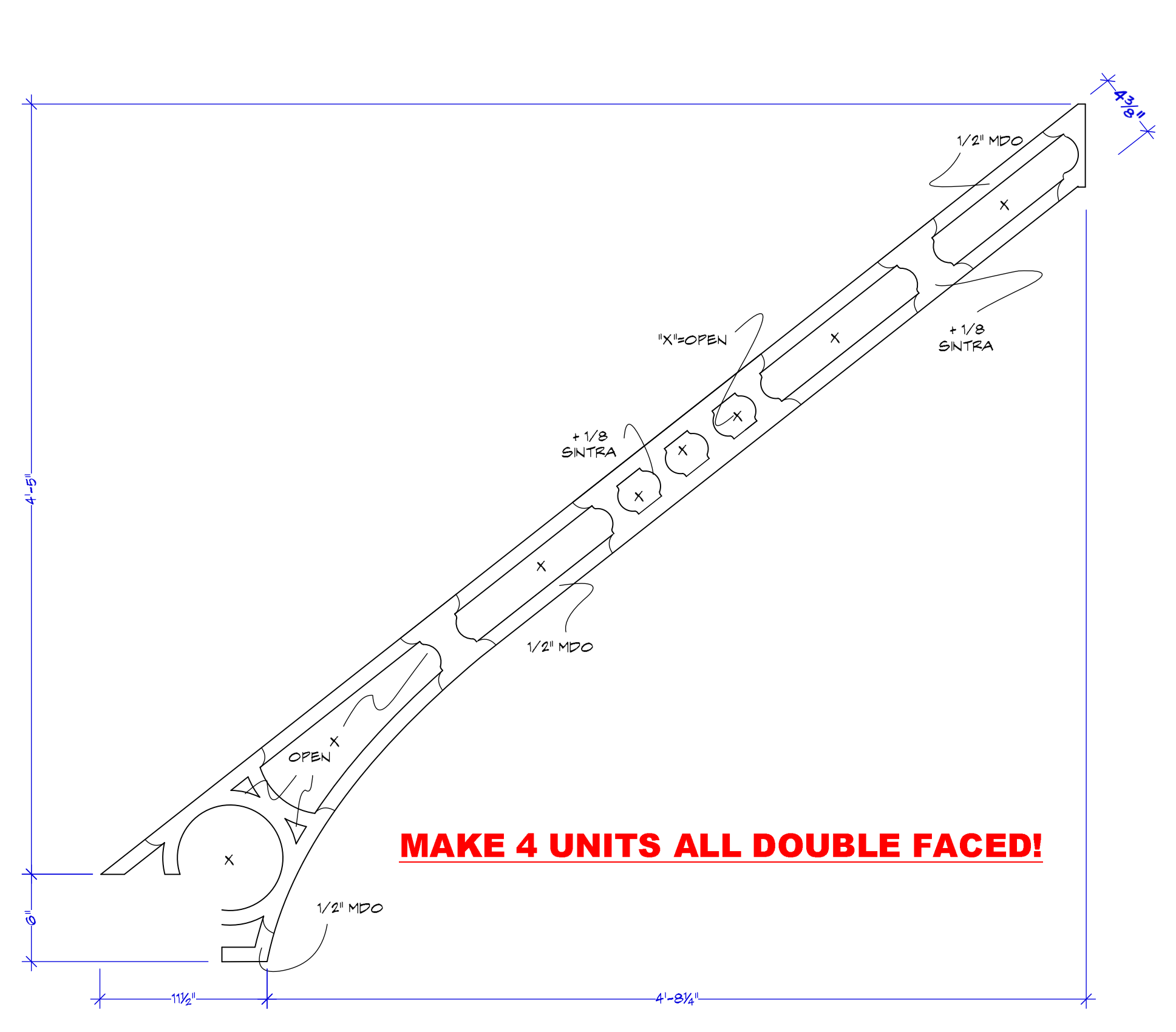
MAKE 12 UNITS ALL DOUBLE FACED!

TA TRUSS "A" DOUBLE FACE MAKE 12
SCALE: 1 1/2" = 1'-0"



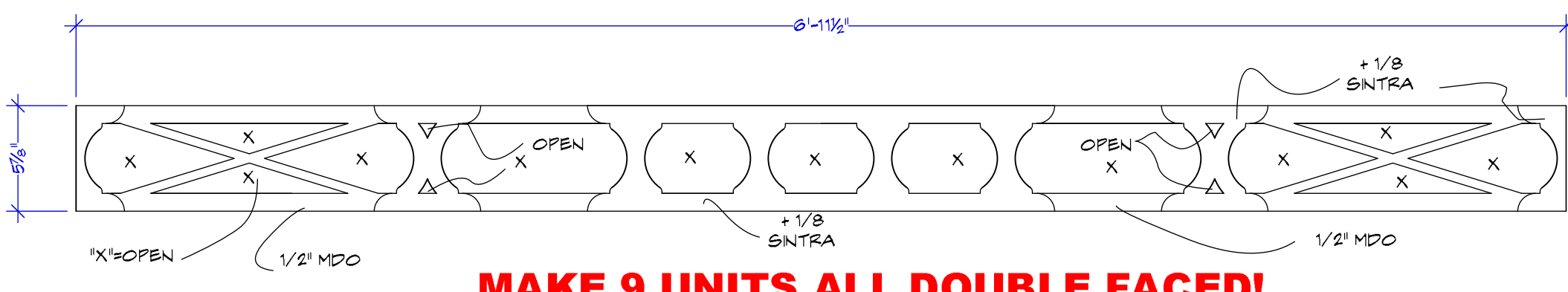
MAKE 5 UNITS ALL DOUBLE FACED!

TB TRUSS "B" DOUBLE FACED MAKE 5
SCALE: 1 1/2" = 1'-0"



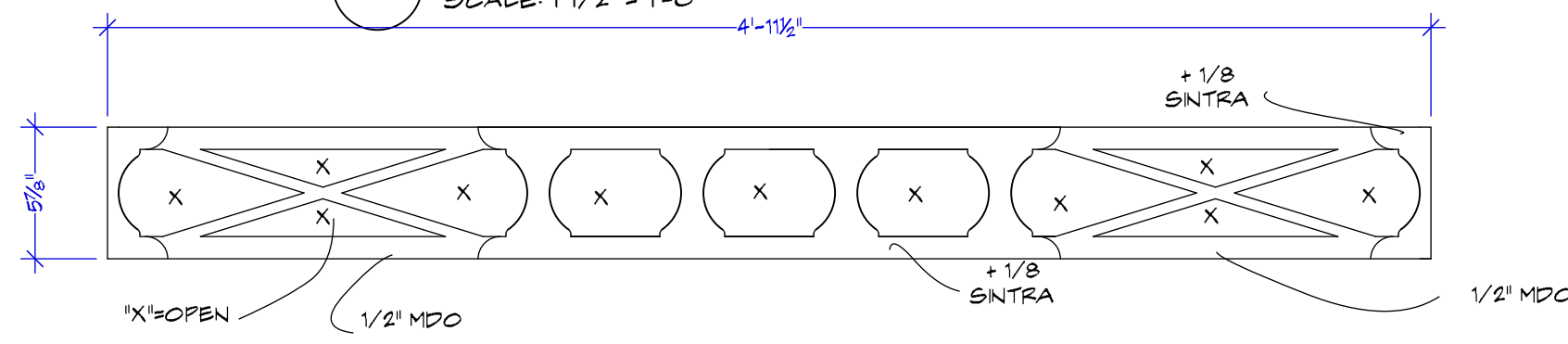
MAKE 4 UNITS ALL DOUBLE FACED!

TC TRUSS "C" DOUBLE FACE MAKE 4 UNITS
SCALE: 1 1/2" = 1'-0"



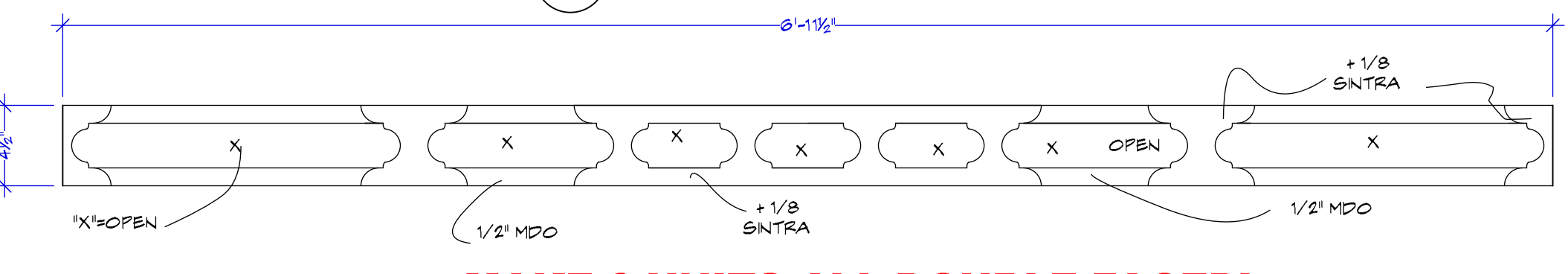
MAKE 9 UNITS ALL DOUBLE FACED!

TD TRUSS "D" DOUBLE FACE MAKE 9
SCALE: 1 1/2" = 1'-0"



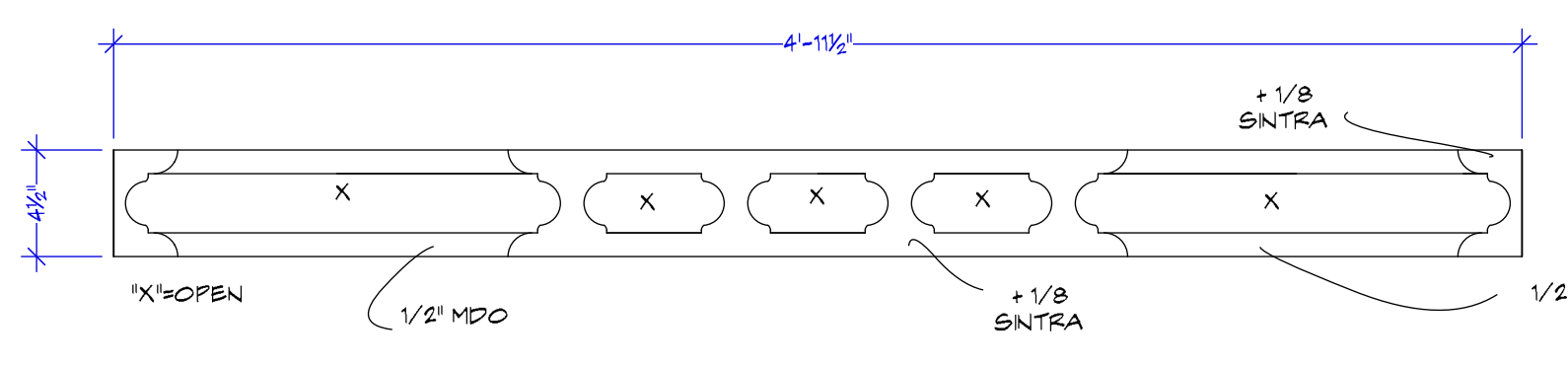
MAKE 6 UNITS ALL DOUBLE FACED!

TE TRUSS "E" DOUBLE FACE MAKE 6
SCALE: 1 1/2" = 1'-0"



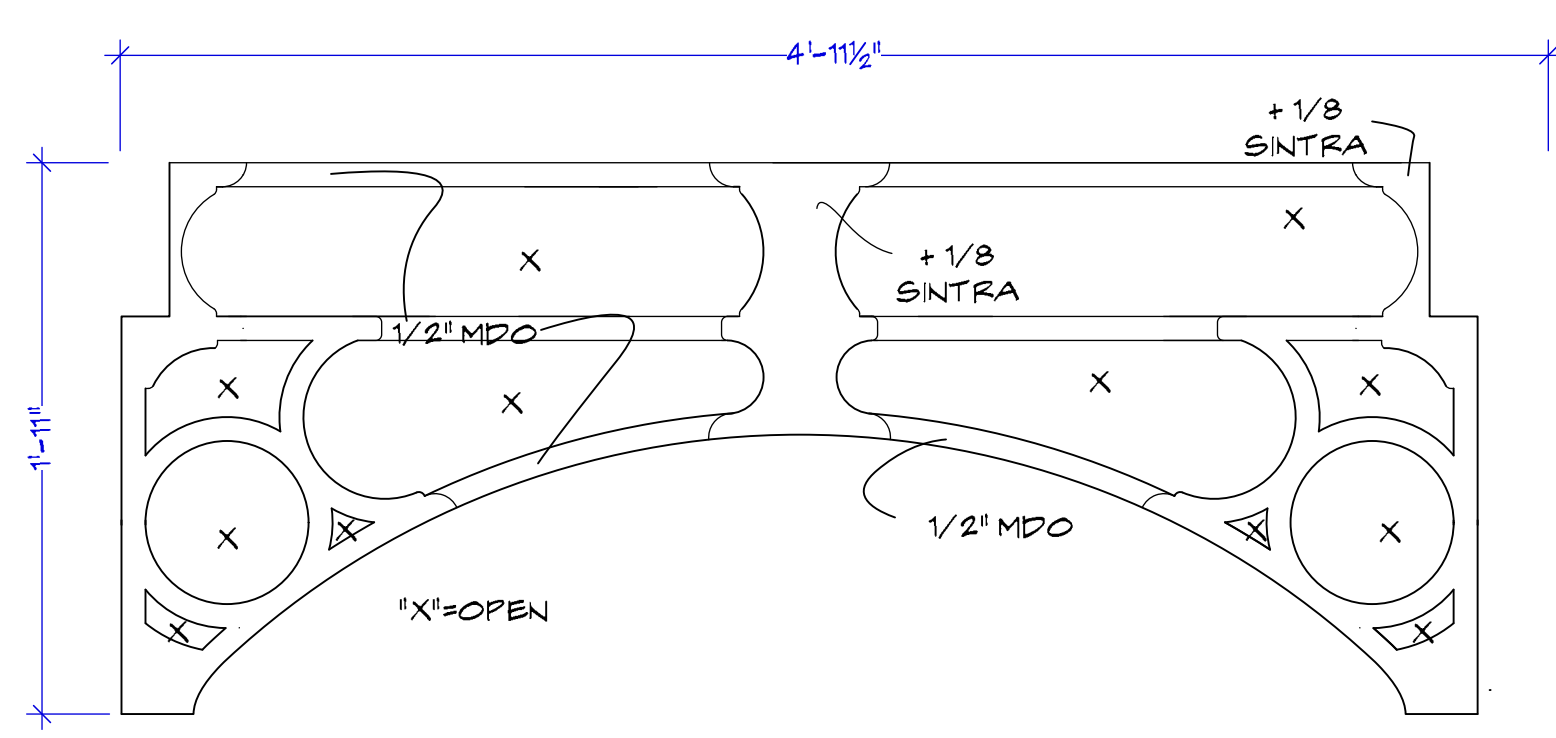
MAKE 6 UNITS ALL DOUBLE FACED!

TF TRUSS "F" DOUBLE FACE MAKE 6
SCALE: 1 1/2" = 1'-0"



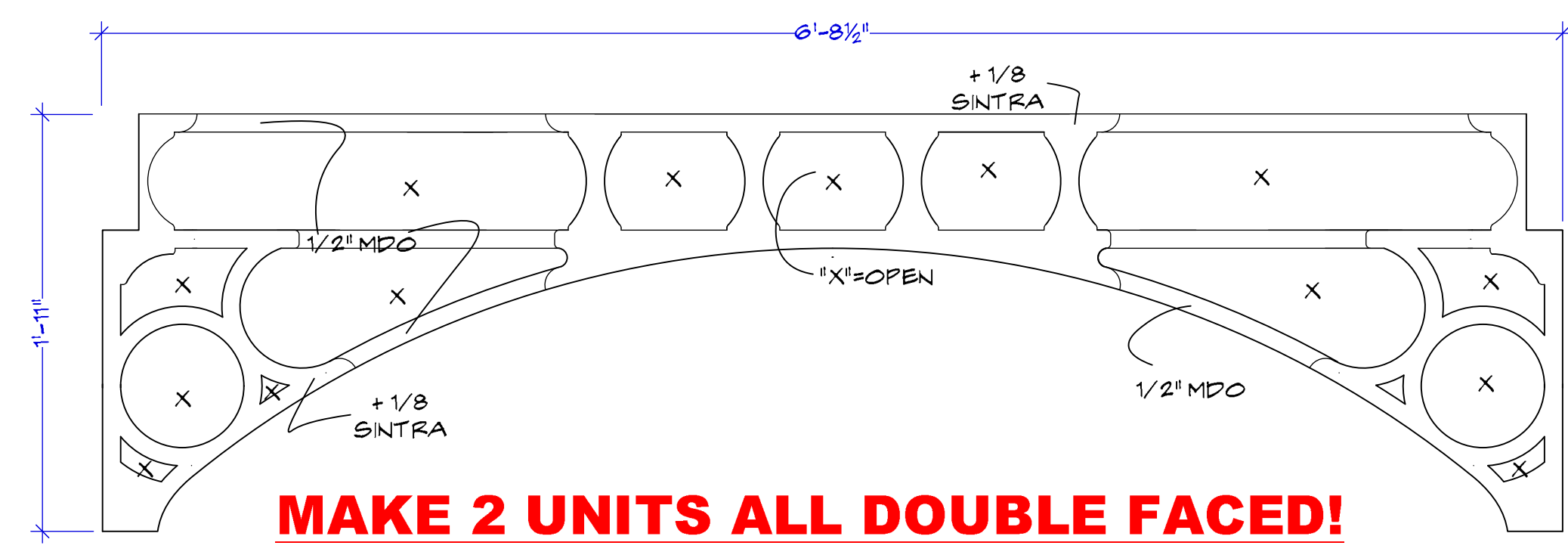
MAKE 4 UNITS ALL DOUBLE FACED!

TG TRUSS "G" DOUBLE FACED MAKE 4
SCALE: 1 1/2" = 1'-0"



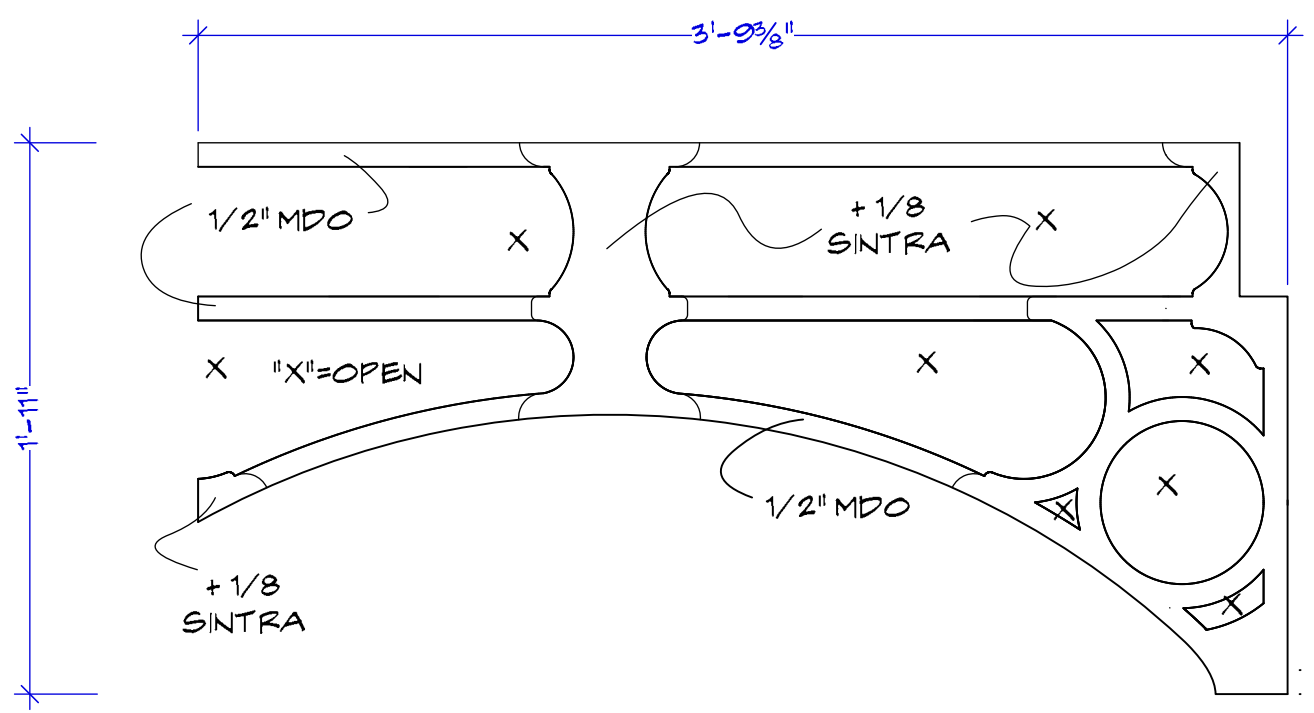
MAKE 4 UNITS ALL DOUBLE FACED!

TH TRUSS "H" DOUBLE FACE MAKE 4
SCALE: 1 1/2" = 1'-0"



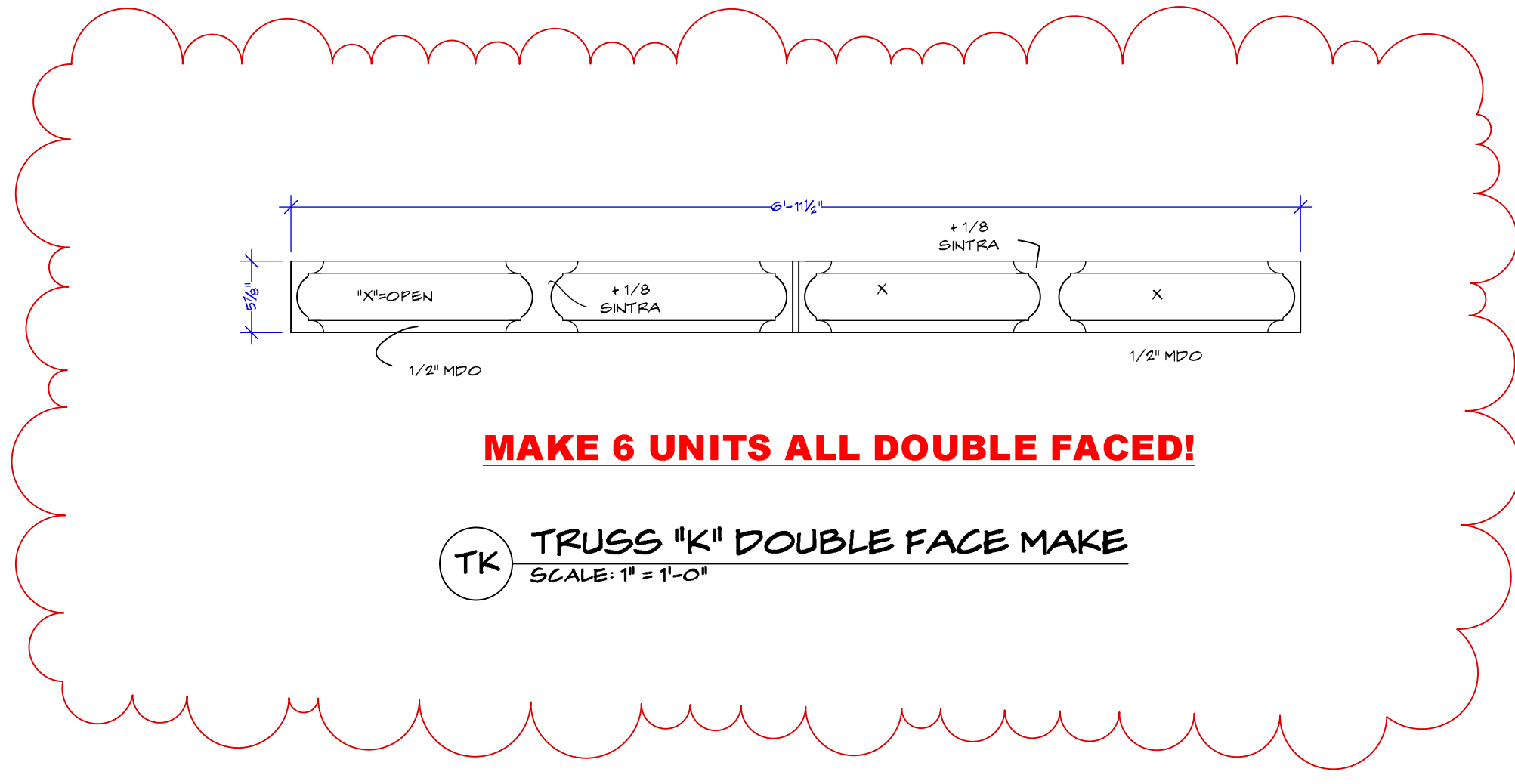
MAKE 2 UNITS ALL DOUBLE FACED!

TI TRUSS "I" DOUBLE FACE MAKE 2
SCALE: 1 1/2" = 1'-0"



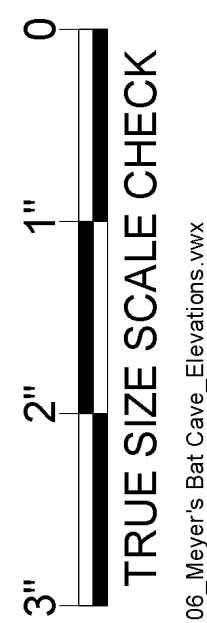
MAKE 4 UNITS ALL DOUBLE FACED!

TJ TRUSS "J" DOUBLE FACE MAKE 4
SCALE: 1 1/2" = 1'-0"



MAKE 6 UNITS ALL DOUBLE FACED!

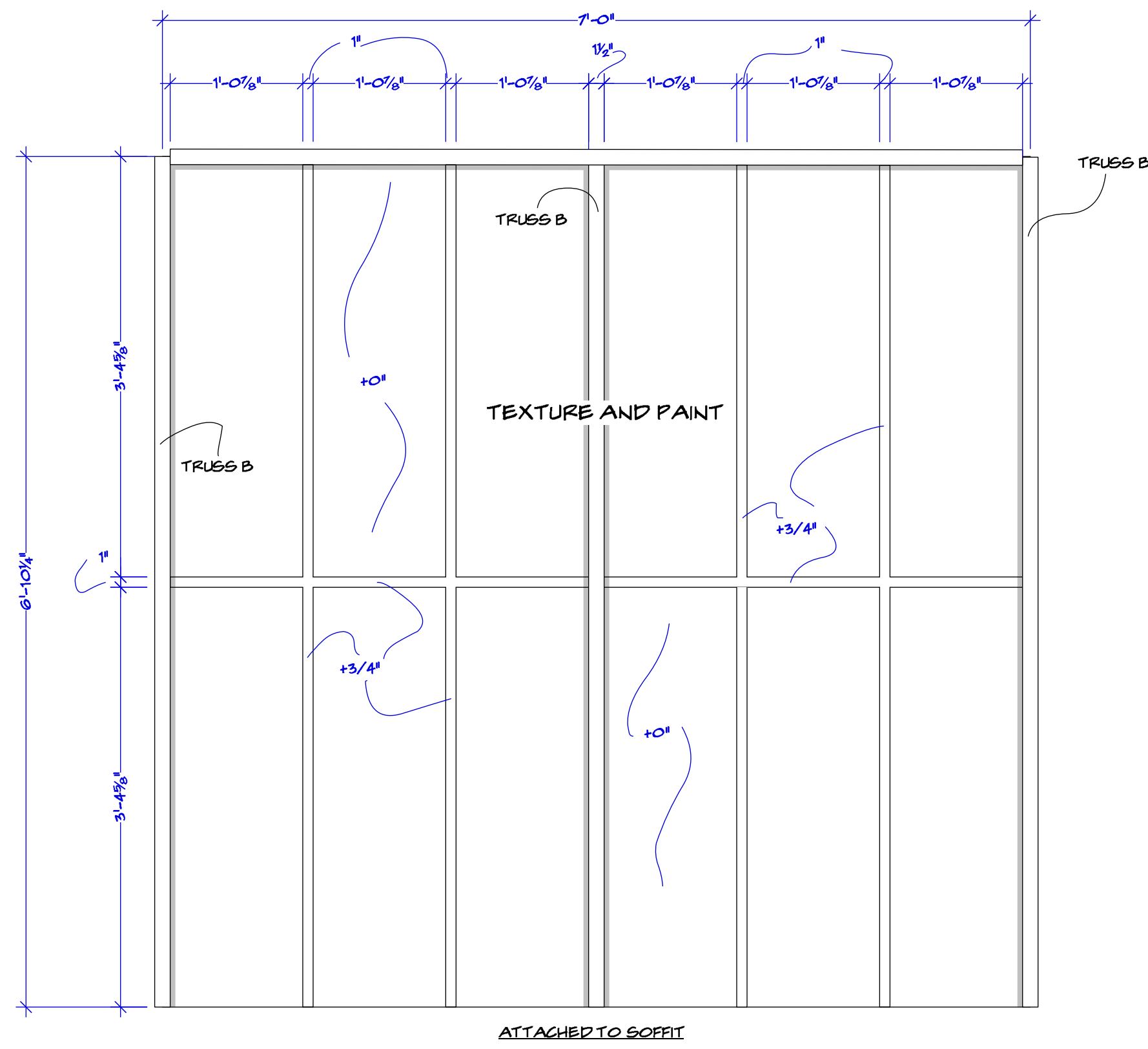
TK TRUSS "K" DOUBLE FACE MAKE 6
SCALE: 1" = 1'-0"



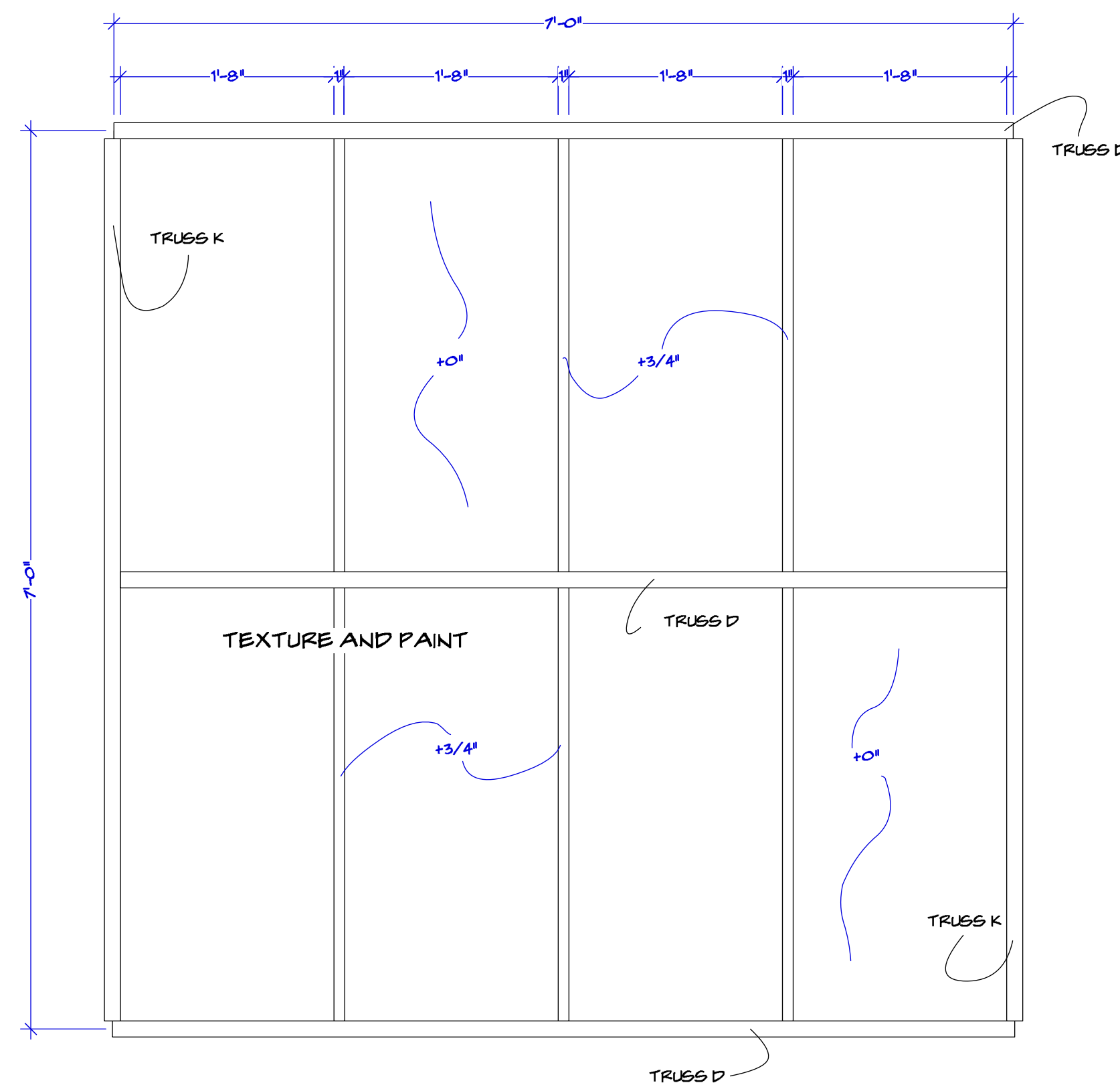
TRUE SIZE SCALE CHECK
106_Meyer's Bat Cave_Elevations.rvt

HORIZONTAL "K" UNITS REVISED REVISED 02/27/2019

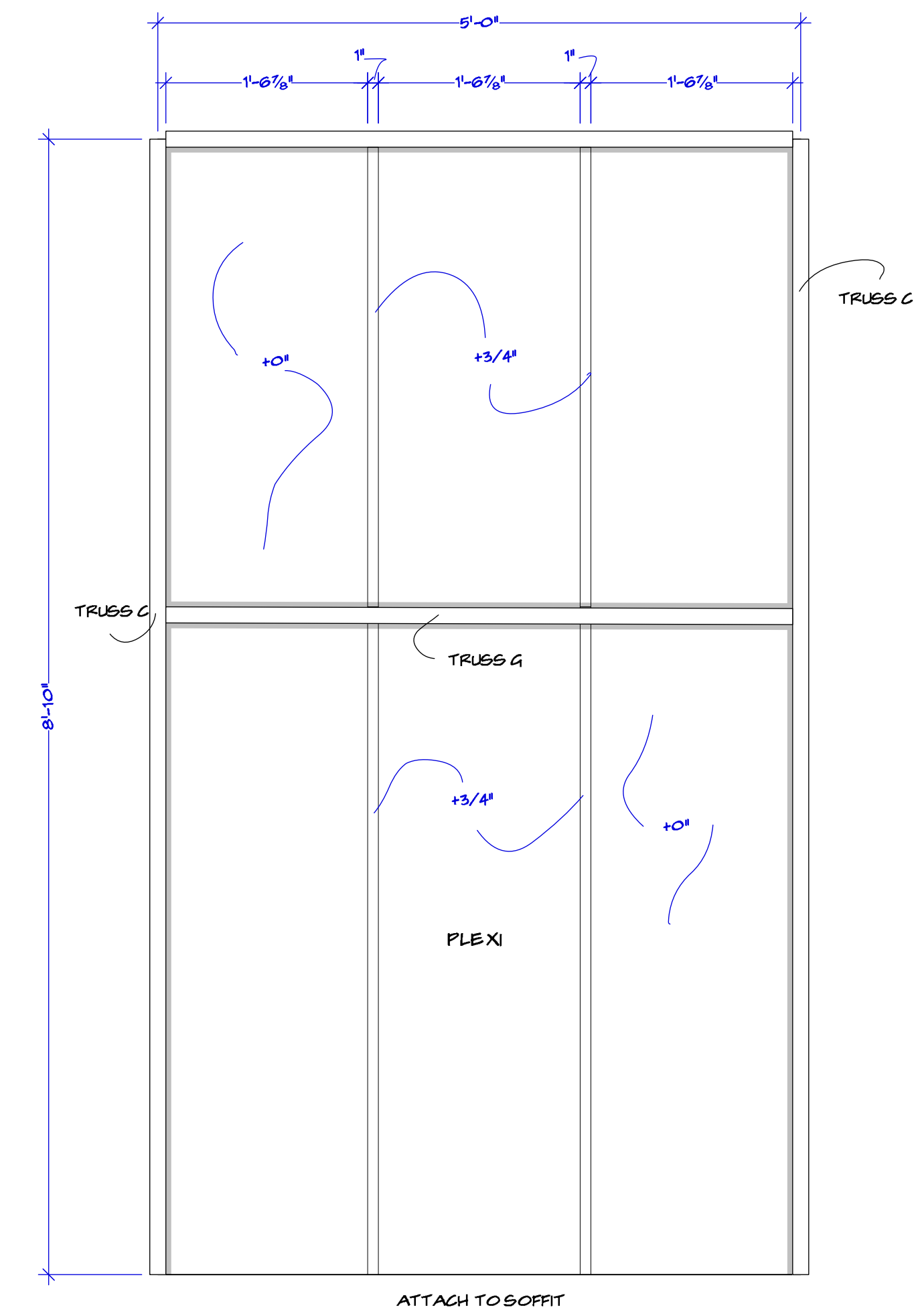
Exec Producer: NIKKI TOSCANO Line Producer: BILL SELL Address: STEINER STUDIO 15 WASHINGTON AVE Prod. Designer: CURT BEECH Set Decorator: SUSAN MARSHAL	Producer: JERRY KUPFER UPM: BILL SELL Address: STEINER STUDIO 15 WASHINGTON AVE Art Director: MARCO MUDD Const. Coordinator: NILES NORTON	Set Name & Description: MEYER'S BAT CAVE CnC Units Director: VARIOUS Location: STAGE 28	Episode: AMORT Set #: 106 Scale: 1 1/2" = 1'-0"	Drawing Date: 4/6/2020 M. FAHRER Sheet No.: 106-09
---	---	---	---	--



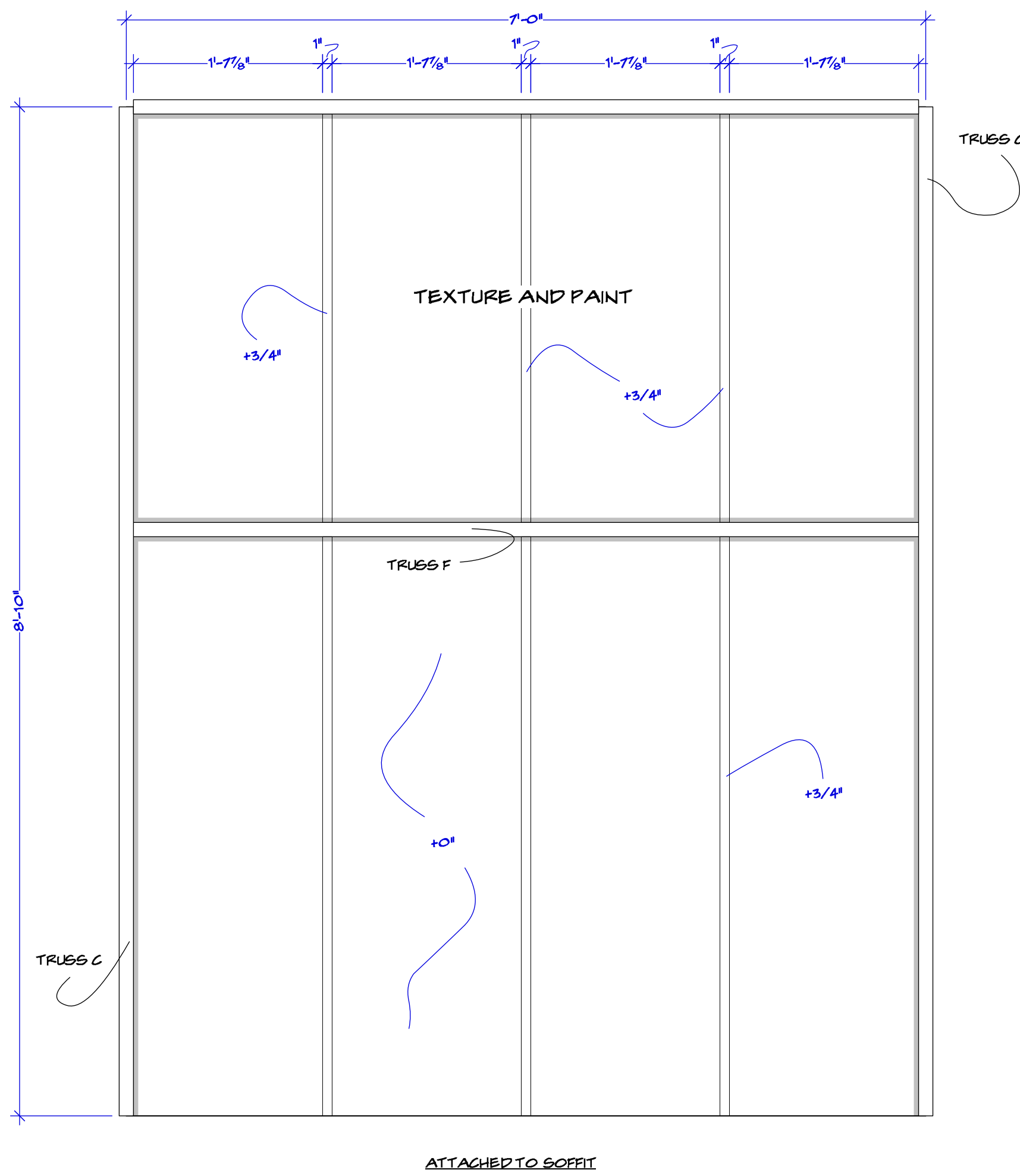
TB END SOLID CEILING FLATTENED MAKE 2
SCALE: 1" = 1'-0"



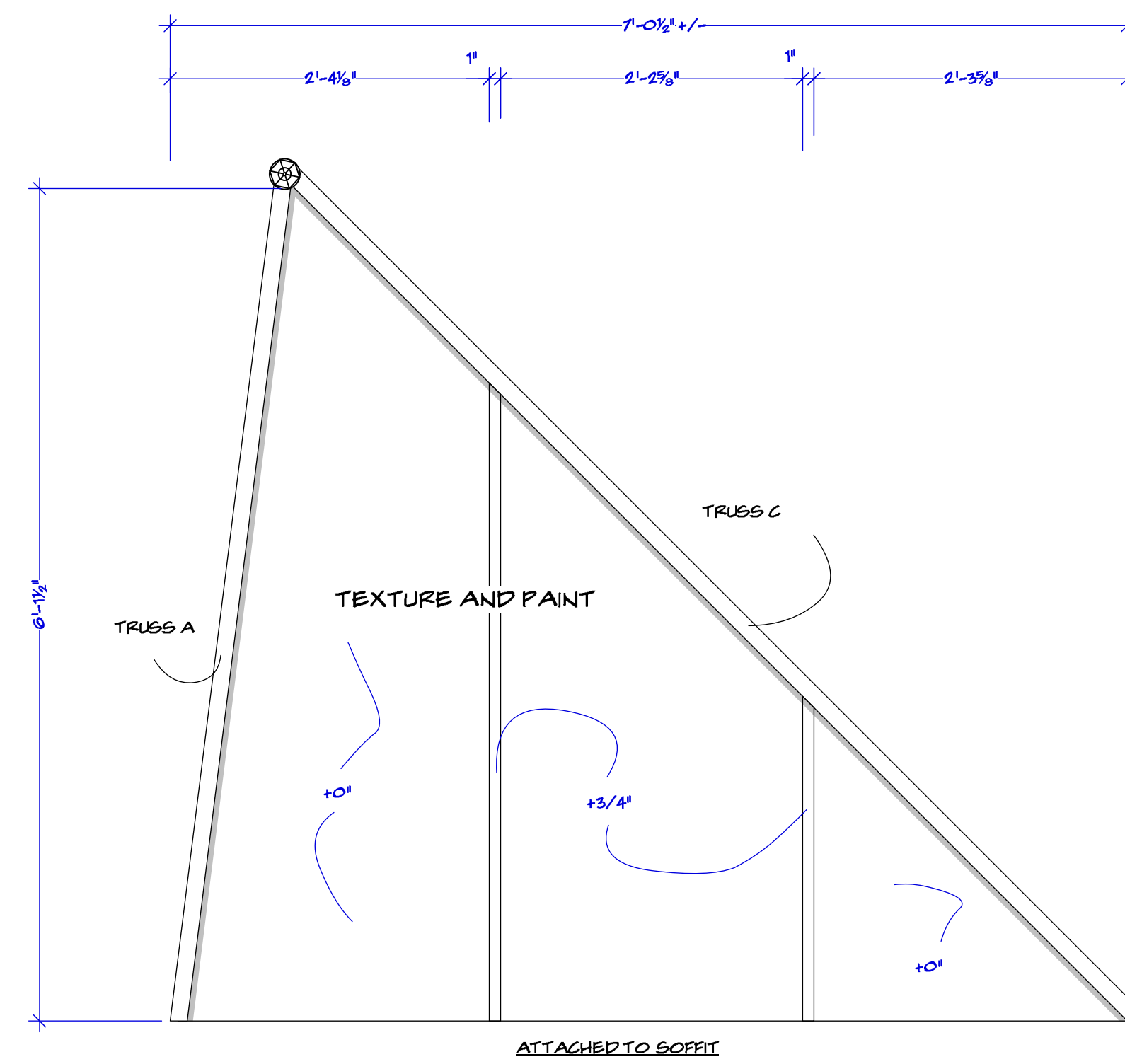
TK TOP SOLID CEILING FLATTENED MAKE 2
SCALE: 1" = 1'-0"



TG PLEXI CEILING UNITS FLATTENED MAKE 4
SCALE: 1" = 1'-0"



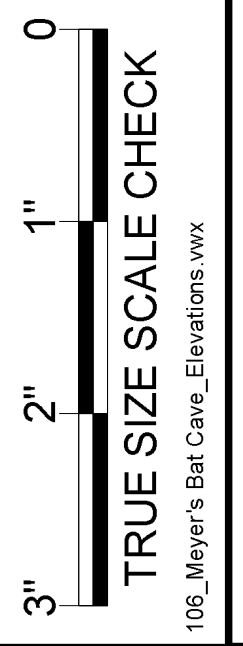
TF SOLID CEILING UNITS FLATTENED MAKE 6
SCALE: 1" = 1'-0"



TA ANGLED CEILING UNIT FLATTENED MAKE 4
SCALE: 1" = 1'-0"

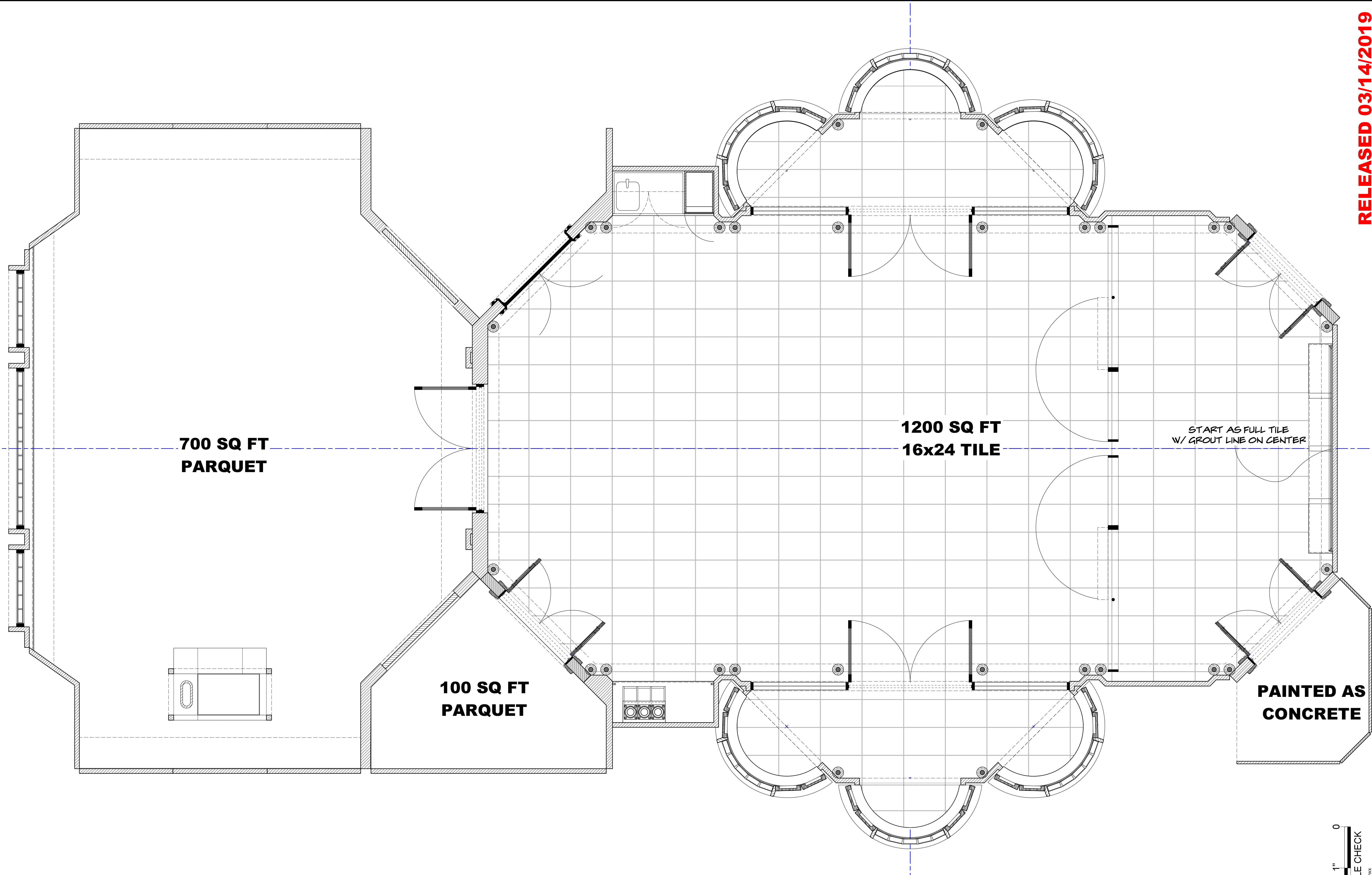
NOTE:
ALL MULLION STRIPS ADDED ARE 1"W X 3/4"D

RELEASED 03/06/2019



Episode: AMORT Set #: 106		Set Name & Description: MEYER'S BAT CAVE FLATTENED CEILING UNITS		Director: VARIOUS	
Drawing Date: 4/6/2020 Drawn By: M. FAHRER		Director: JERRY KUPFER		Producer: JERRY KUPFER	
Sheet Date: 04/11/2018 Sheet No.: 106-10		Director: MARCO MUDD		Line Producer: BILL SELL	
Scale: 1" = 1'-0"		Director: MARCO MUDD		Address: STEINER STUDIO 15 WASHINGTON AVE	
		Const. Coordinator: NILES NORTON		Prod. Designer: CURT BEECH	
		Location: STAGE 28		Set Decorator: SUSAN MARSHAL	





**700 SQ FT
PARQUET**

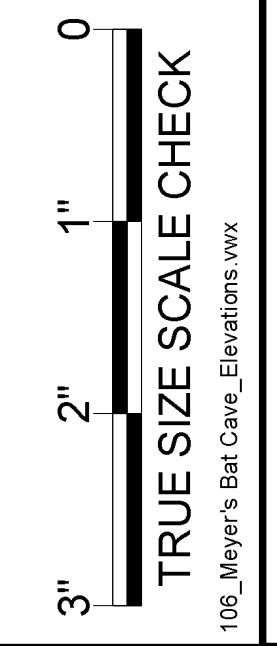
**1200 SQ FT
16x24 TILE**

START AS FULL TILE
W/ GROUT LINE ON CENTER

**100 SQ FT
PARQUET**

**PAINTED AS
CONCRETE**

TILE FLOOR LAYOUT
SCALE: 1/2" = 1'-0"



RELEASED 03/14/2019

Exec Producer: NIKKI TOSCANO Line Producer: BILL SELL Address: STEINER STUDIO 15 WASHINGTON AVE Prod. Designer: CURT BEECH Set Decorator: SUSAN MARSHAL	Producer: JERRY KUPFER UPM: BILL SELL Art Director: MARCI MUDD Const. Coordinator: NILES NORTON	Set Name & Description: MEYER'S BAT CAVE FLOORING Director: VARIOUS Location: STAGE 28	Episode: AMORT Set #: 106 Scale: 1/2"=1'-0"	Drawing Date: 4/6/2020 Drawn By: M. FAHRER	Sheet Date: 04/11/2018 Sheet No.: 106-11
---	--	---	---	---	---

