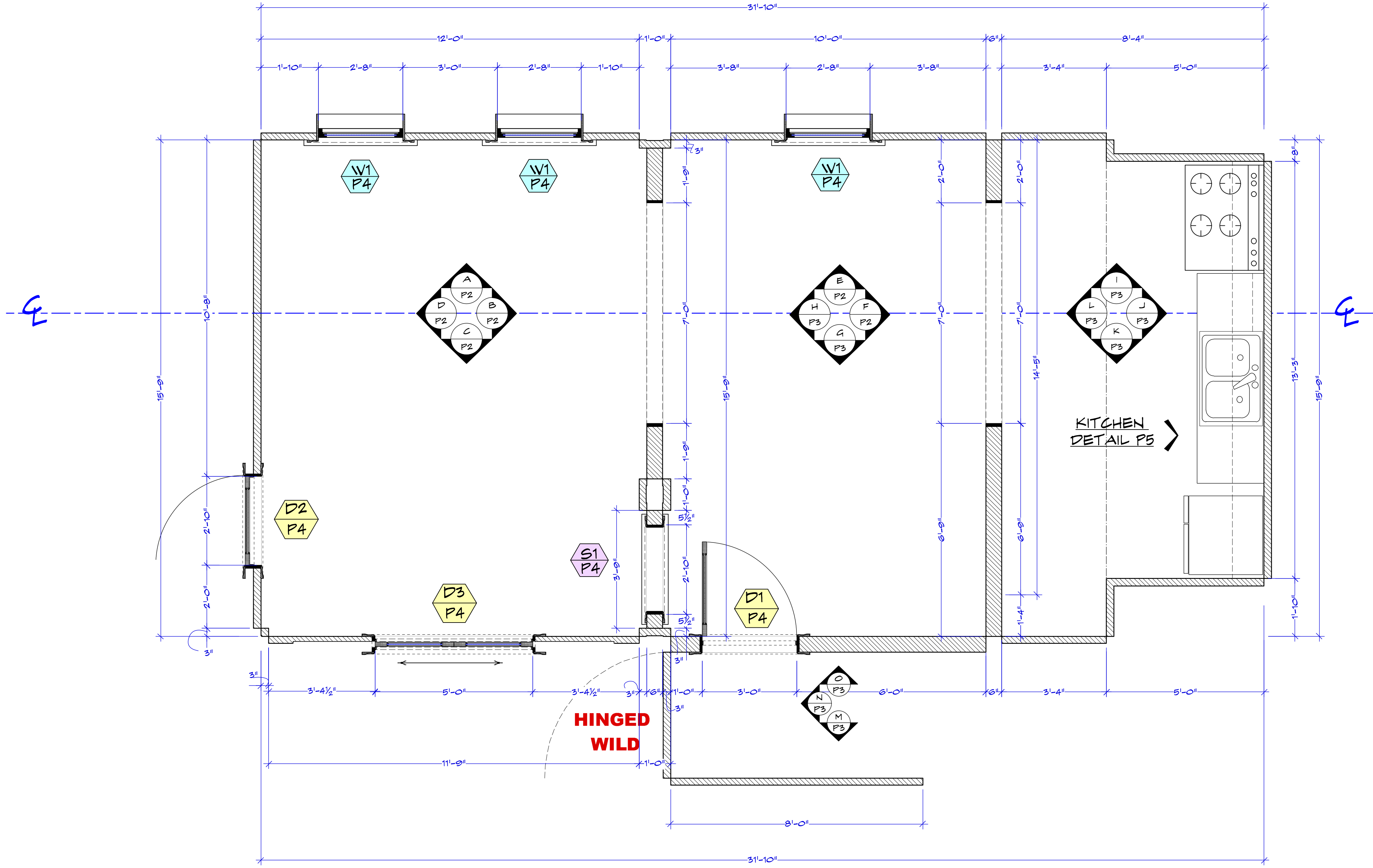
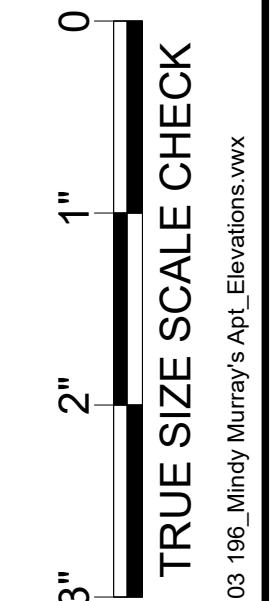


WINDOW NUMBER	W1
QTY	3
TYPE	DOUBLE HUNG
ELEVATION	
DOOR OPENING SIZE	32 X 55
WINDOW MATERIAL	REPLACEMENT
FINISH	RUBBED BRONZE METAL
DETAIL SHEET	
HARDWARE STYLE	P4
PULL	
SASH	X
CREMONE	
DUMMY	
HARDWARE FINISH	PER SET DEC
WINDOW COVERING	PER SET DEC
GLASS TYPE	CLEAR

DOOR NUMBER	D1	D2	D3
QTY	1	1	2
TYPE	ENTRANCE	BEDROOM	POCKET
ELEVATION			
DOOR OPENING SIZE	36 X 80	34 X 80	30 X 80
BACKSET	2 3/4"	2 3/4"	2 3/4"
DOOR MATERIAL	WOOD	WOOD	WOOD
FINISH	T.B.D.	T.B.D.	T.B.D.
DETAIL SHEET	4	4	4
HARDWARE STYLE			
ENTRY	X		
PRIVACY		X	
PASSAGE			X
DUMMY			
HARDWARE FINISH	BRASS	BRASS	BRASS
HINGE QTY	2-3" APARTMENT SPRING HINGE	3	X
THRESHOLD	WOOD	WOOD	WOOD



TECHNICAL PLAN
SCALE: 1/2" = 1'-0"



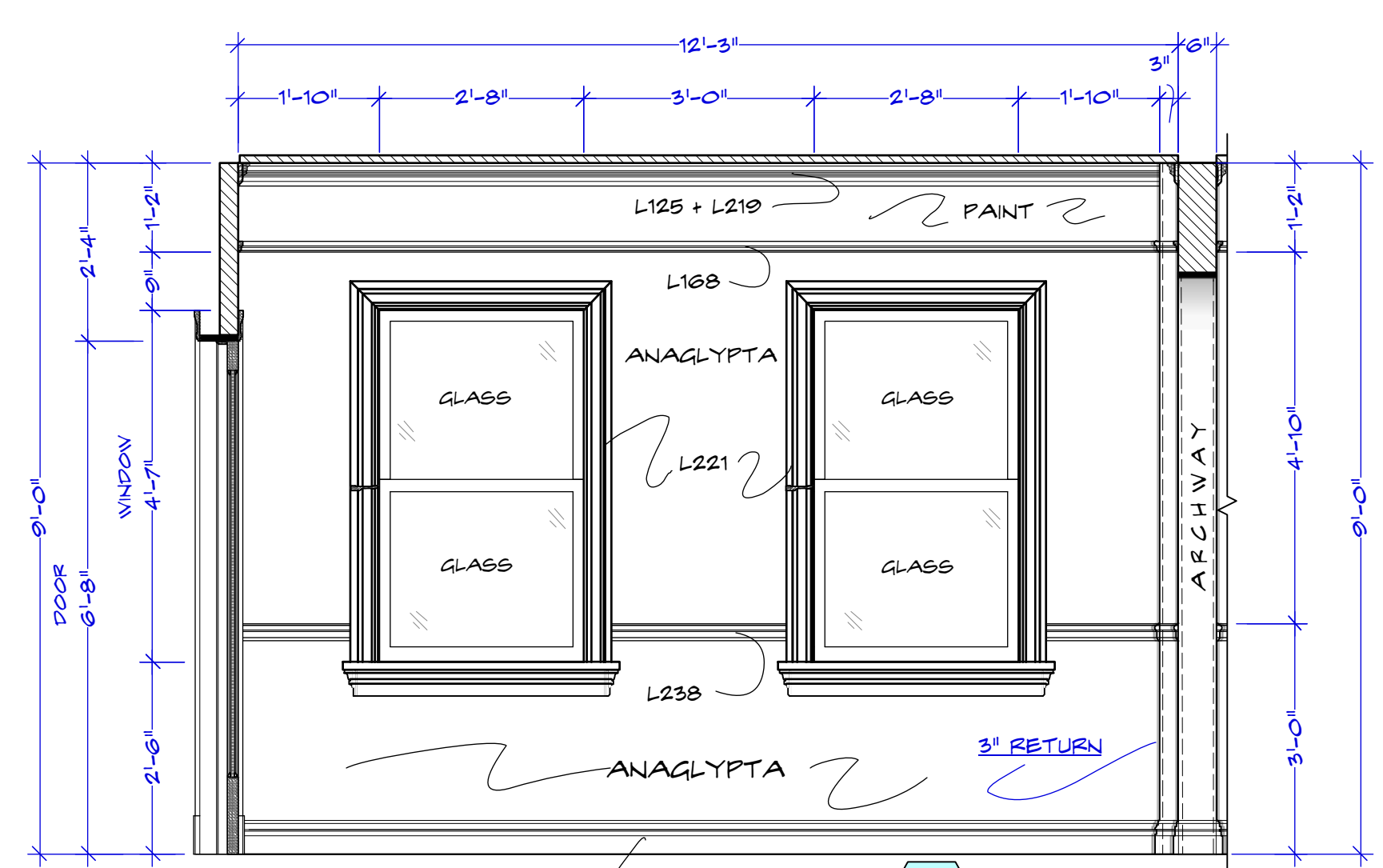
RELEASED 04/29/2019

Episode:	103
Set #:	196
Scale:	1/2"=1'-0"

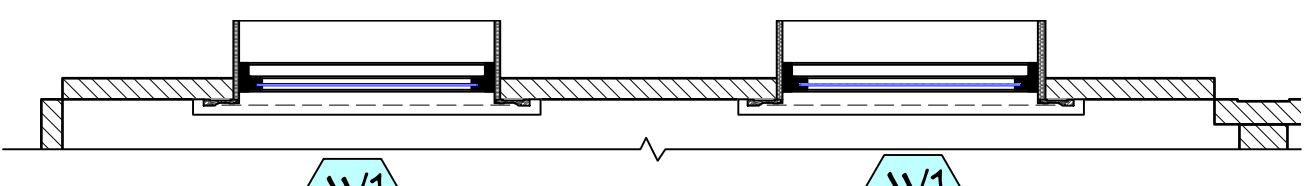
Set Name & Description:	MINDY MURRAY'S APARTMENT - TECHNICAL PLAN
Director:	VARIOUS
Location:	STAGE 27

Exec Producer:	NIKKI TOSCANO	Producer:	JERRY KUPFER
Line Producer:	BILL SELL	UPM:	BILL SELL
Address:	STEINER STUDIO 15 WASHINGTON AVE	Art Director:	MARCI MUDD
Prod. Designer:	CUIRT BEECH	Constr. Coordinator:	NILES NORTON
Set Decorator:	SUSAN MARSHAL		

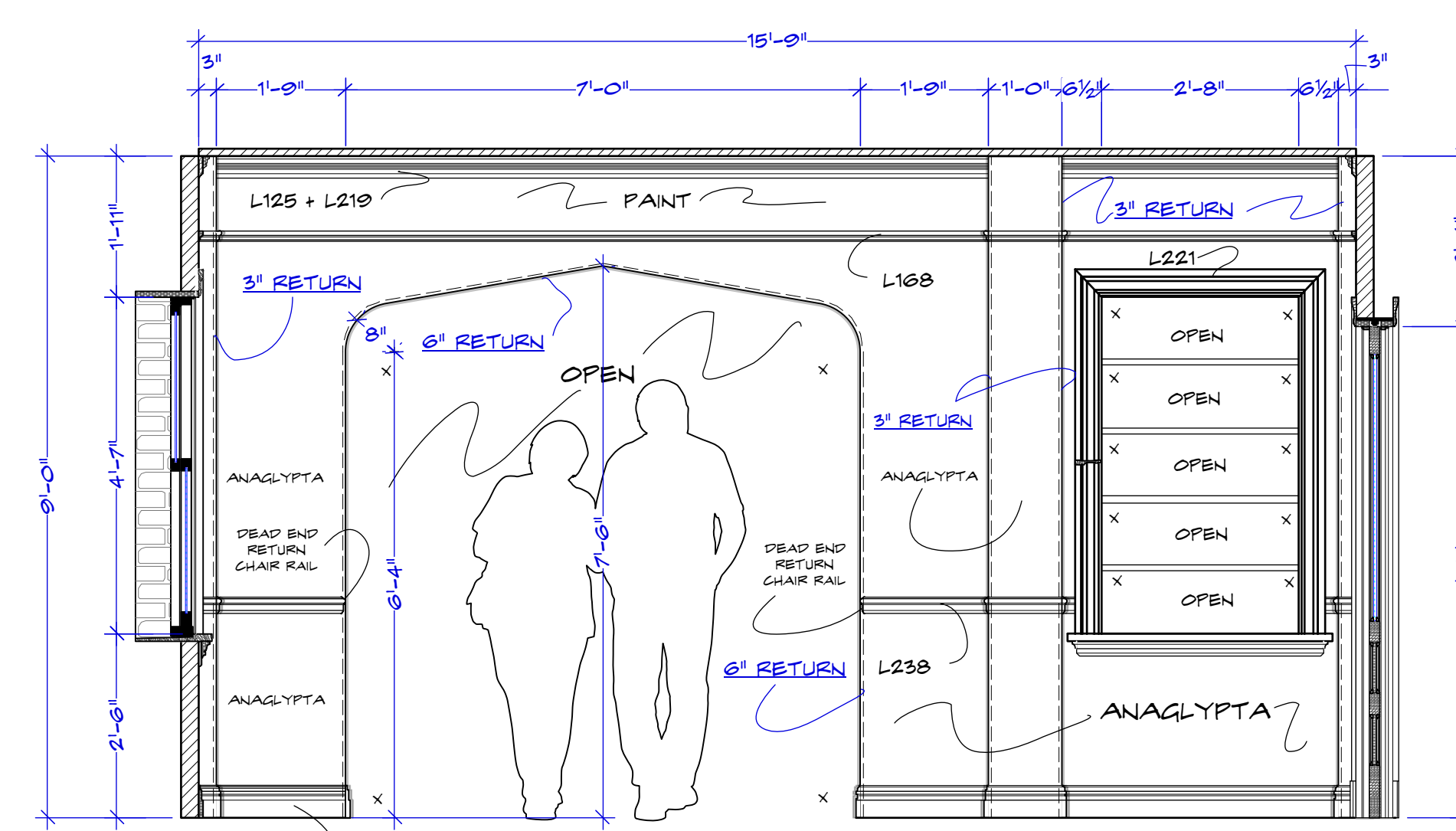
Drawing Date:	4/29/2019	Drawn by:	M. FAHRER
Shoot Date:	05/04/2019	Sheet No.:	196-01



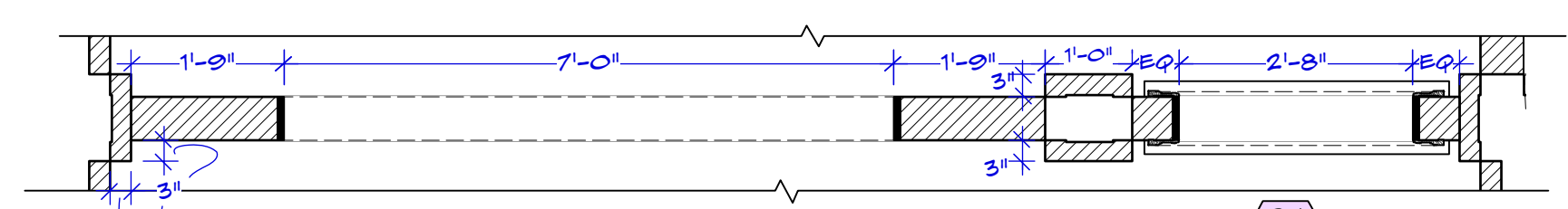
A LIVING ROOM WINDOWS
SCALE: 1/2" = 1'-0"



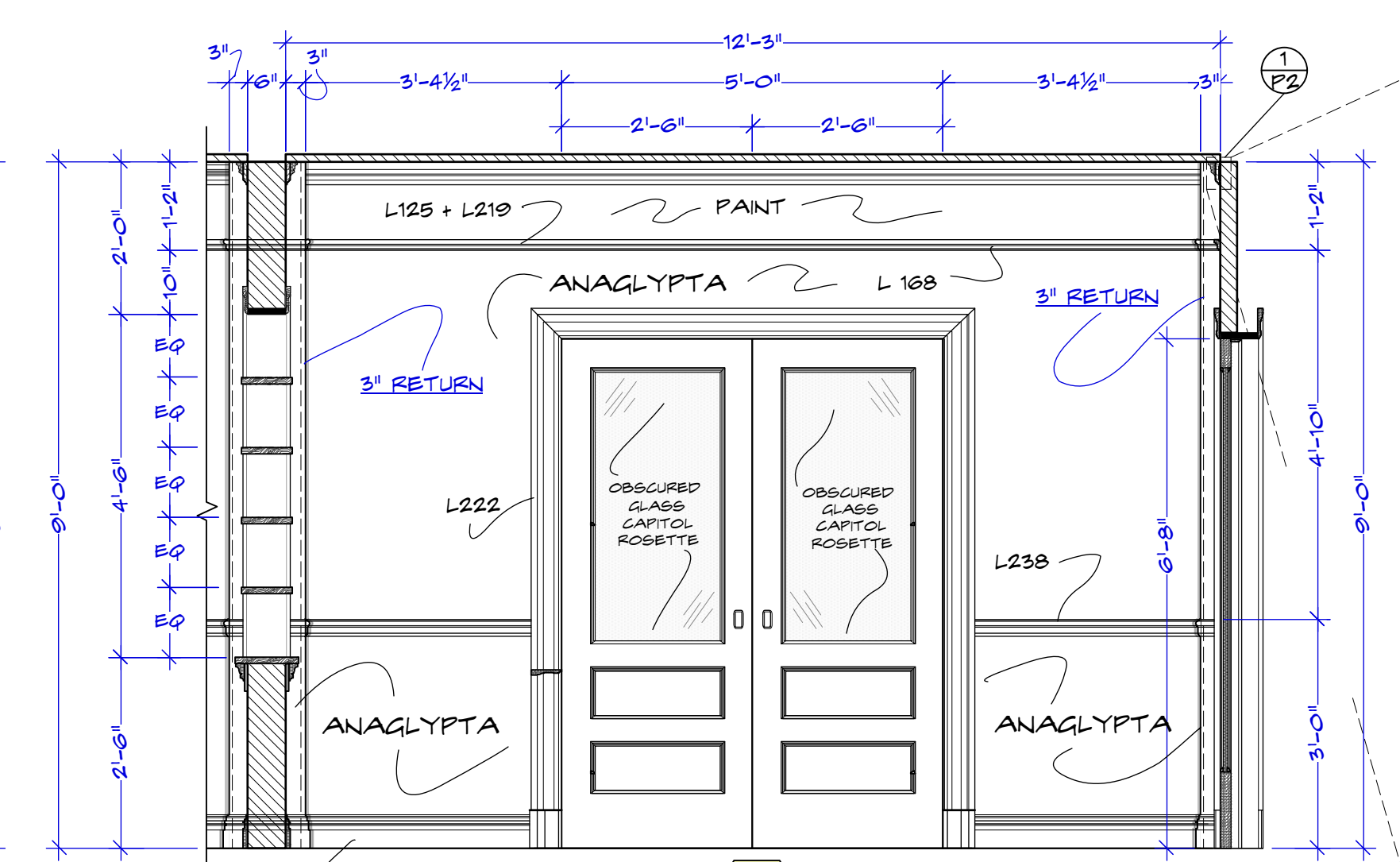
WINDOW PLAN
SCALE: 1/2" = 1'-0"



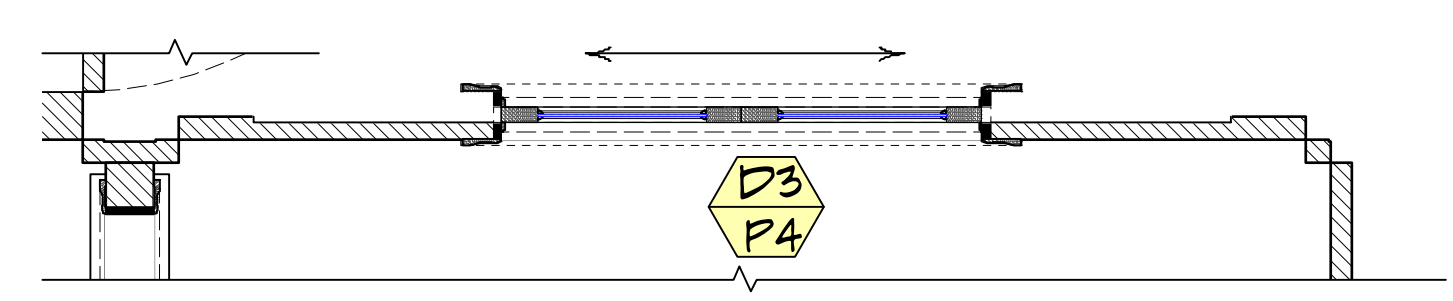
B LIVING ROOM ARCHWAY
SCALE: 1/2" = 1'-0"



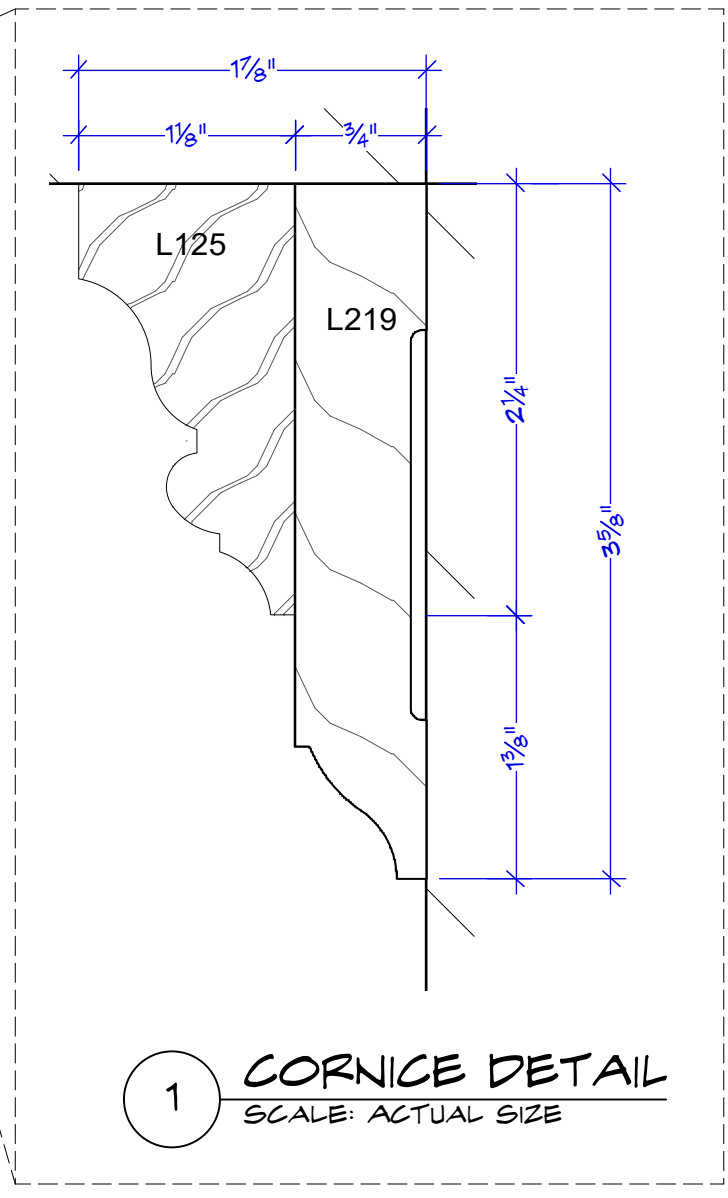
ARCHWAY PLAN
SCALE: 1/2" = 1'-0"



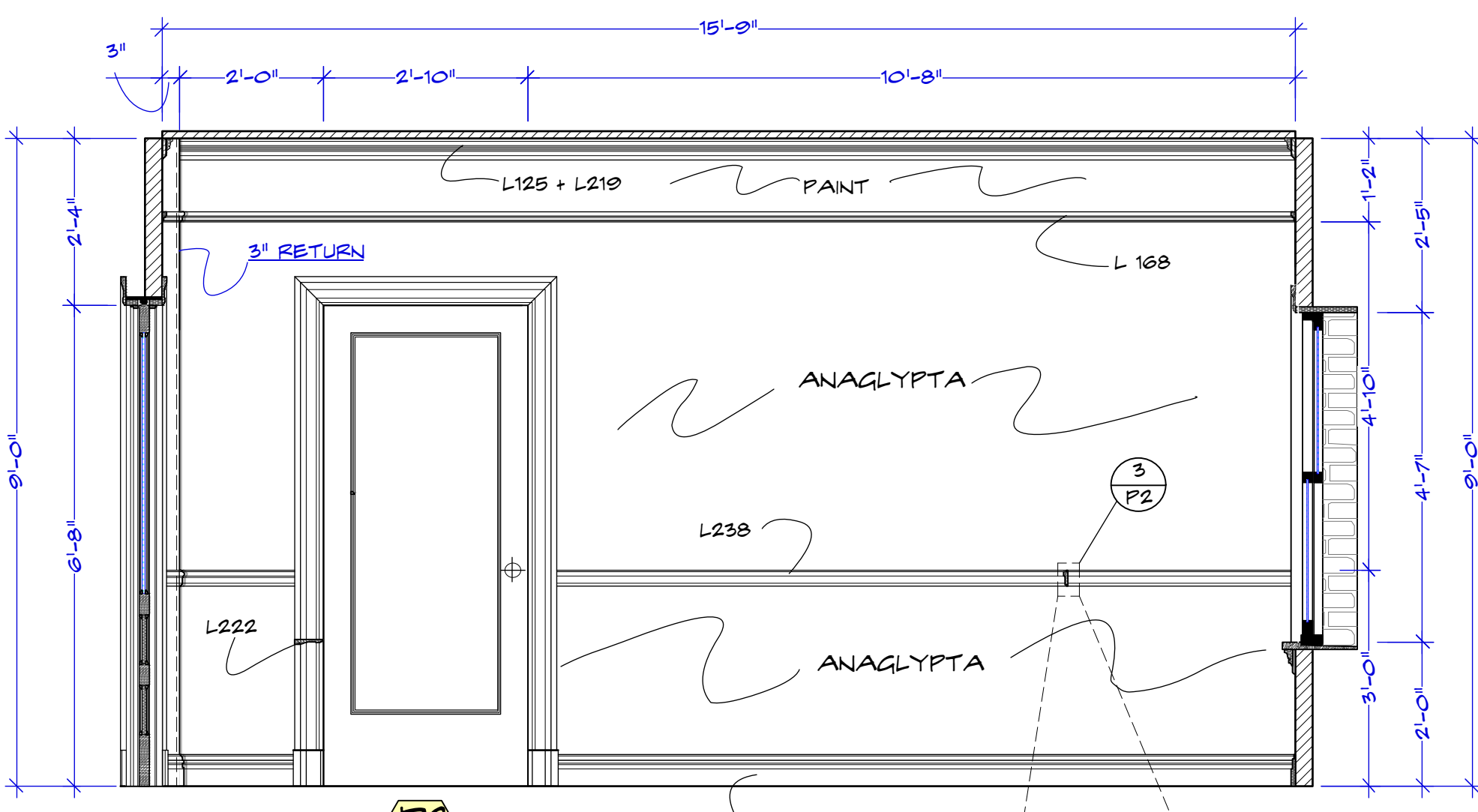
C LIVING ROOM POCKET DOORS
SCALE: 1/2" = 1'-0"



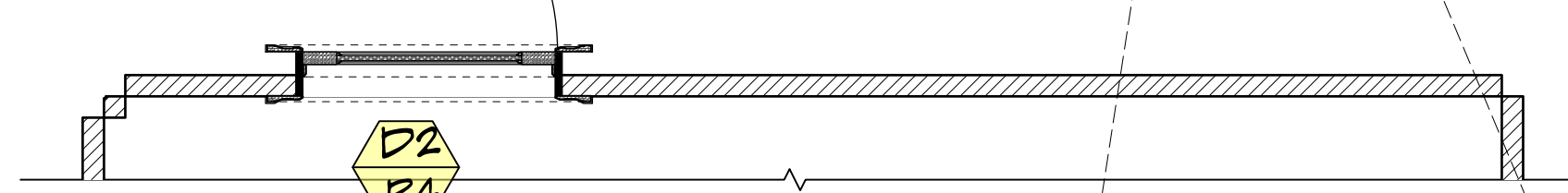
POCKET DOOR PLAN
SCALE: 1/2" = 1'-0"



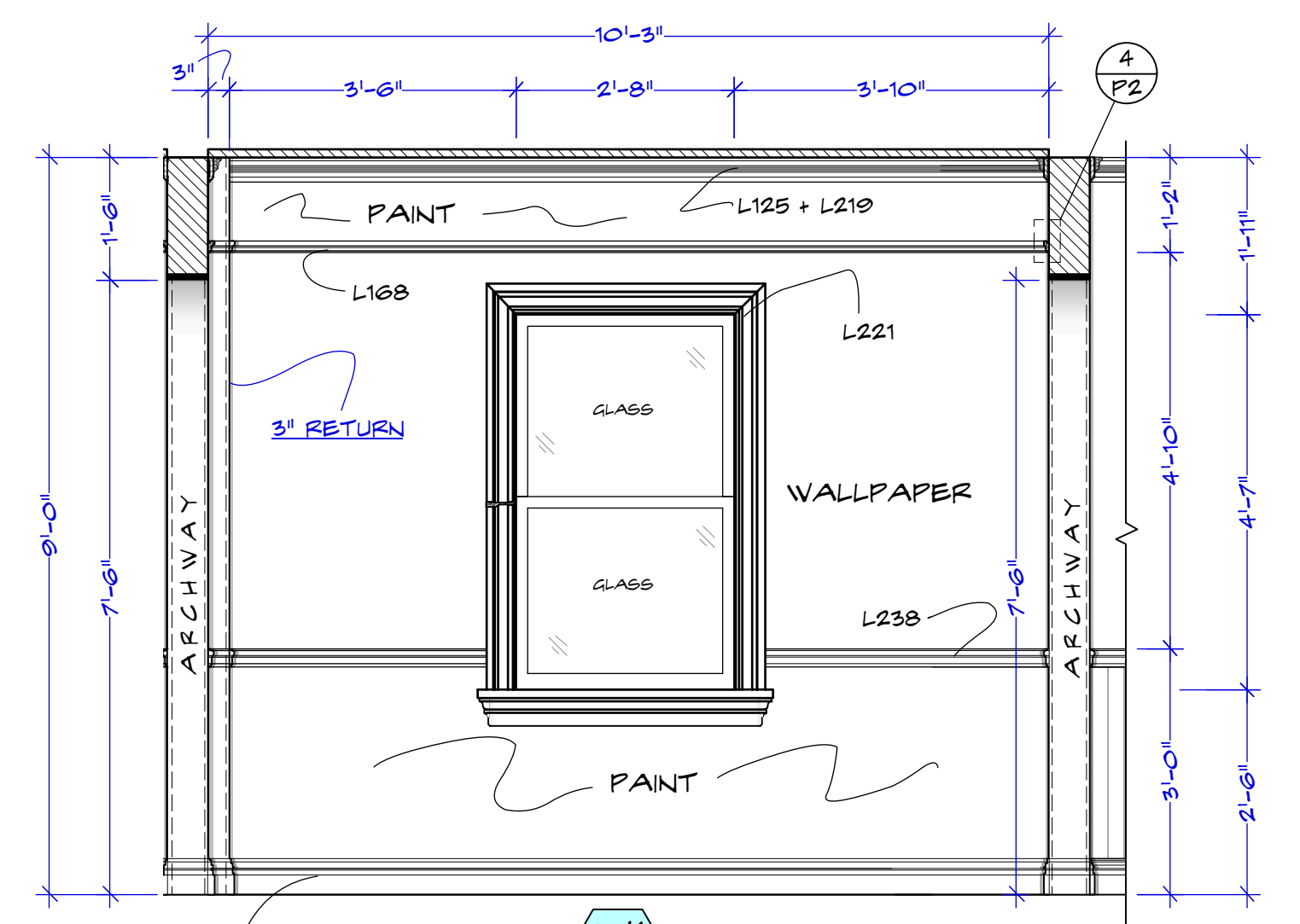
1 CORNICE DETAIL
SCALE: ACTUAL SIZE



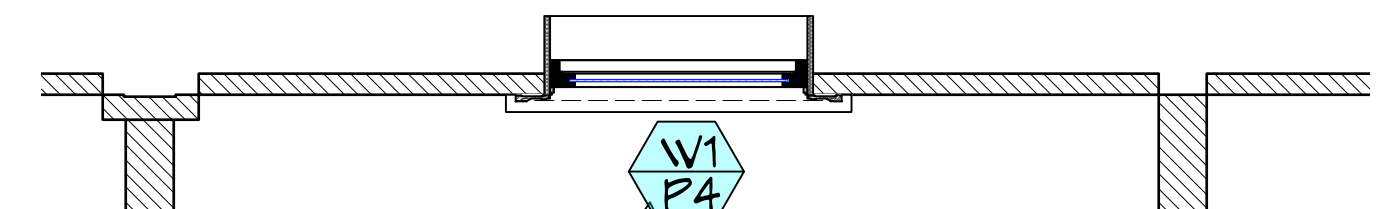
D BEDROOM DOOR
SCALE: 1/2" = 1'-0"



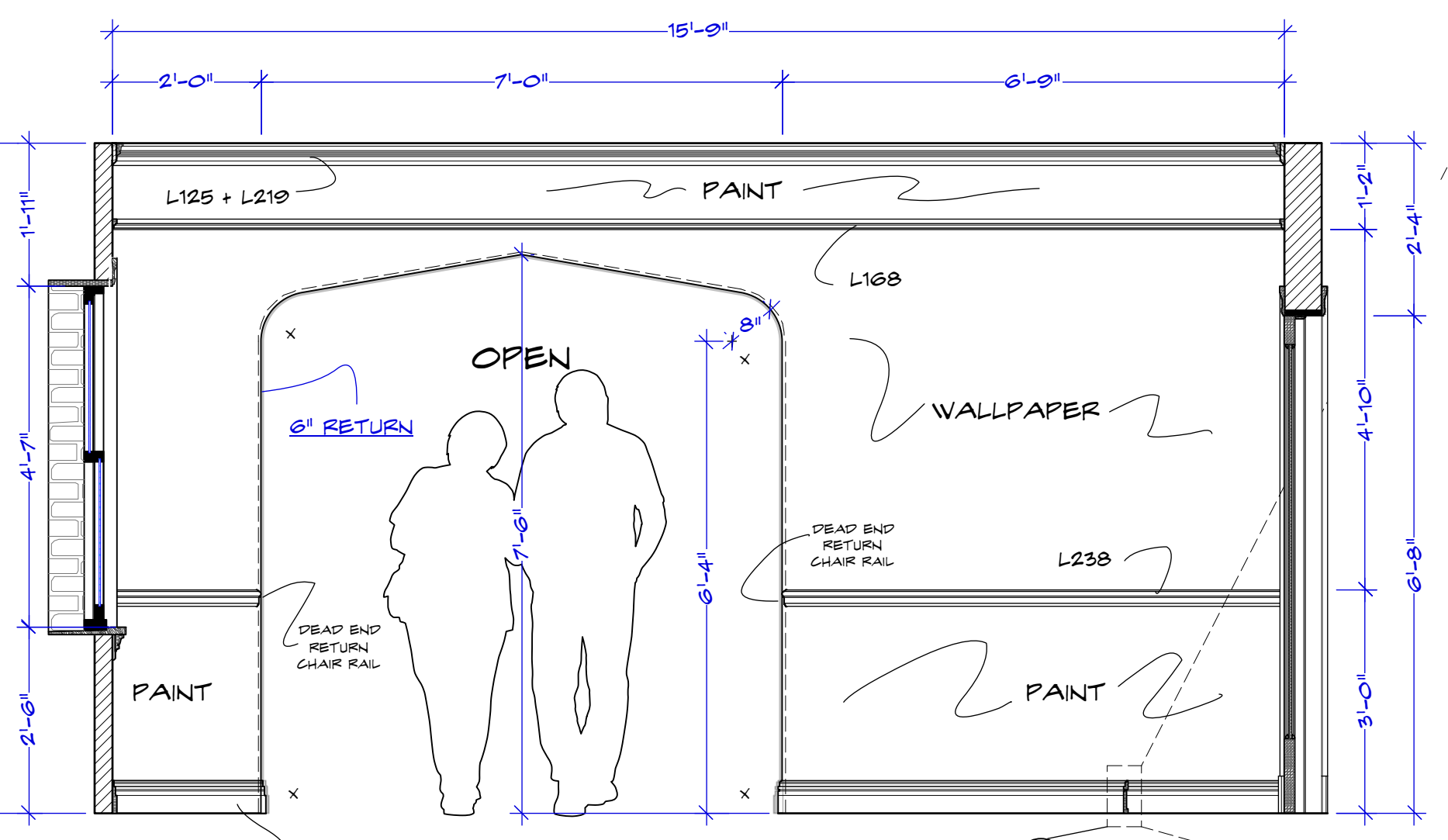
BEDROOM DOOR PLAN
SCALE: 1/2" = 1'-0"



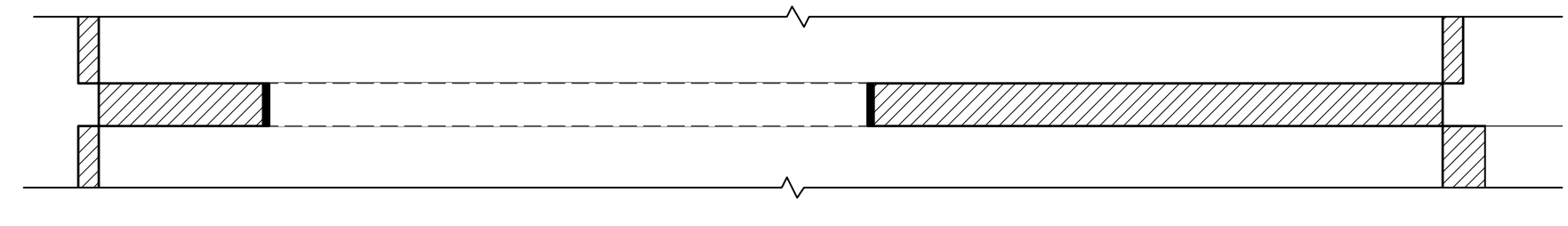
E DINING ROOM WINDOW
SCALE: 1/2" = 1'-0"



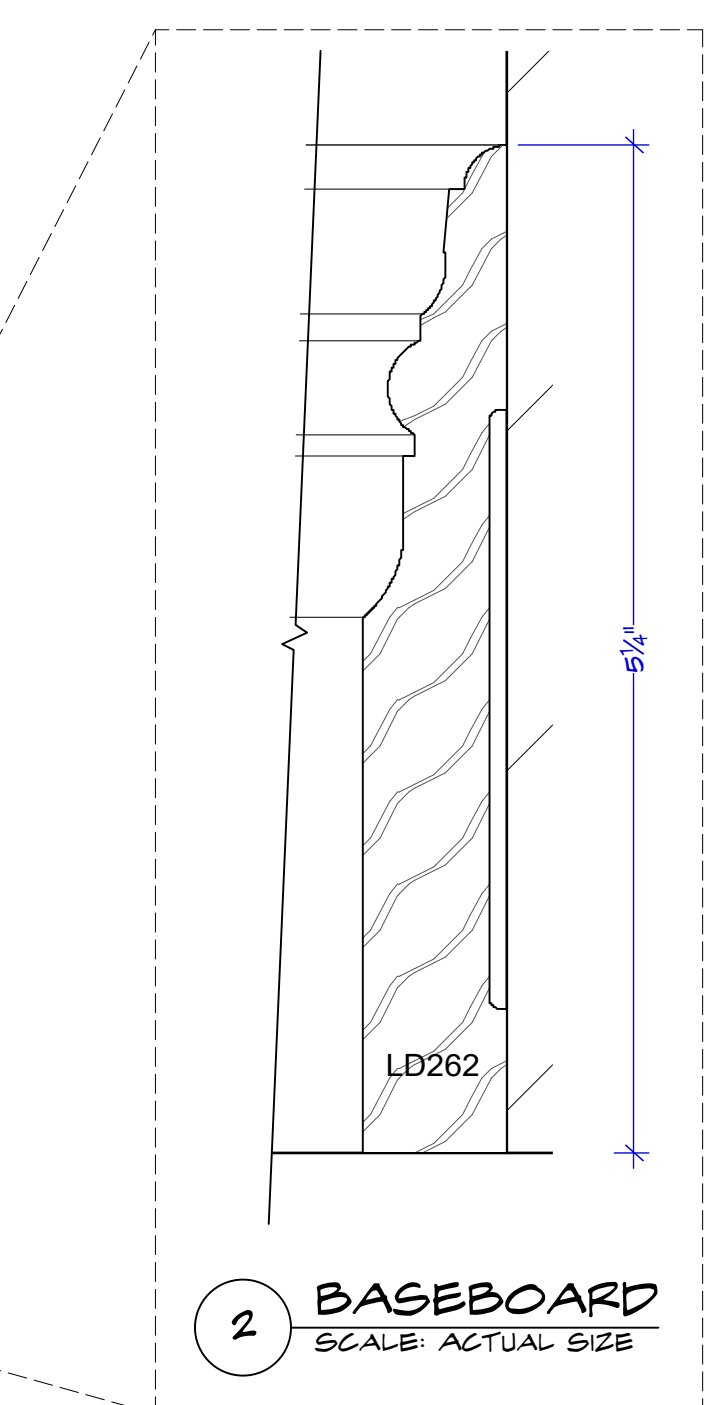
DINING ROOM WINDOW PLAN
SCALE: 1/2" = 1'-0"



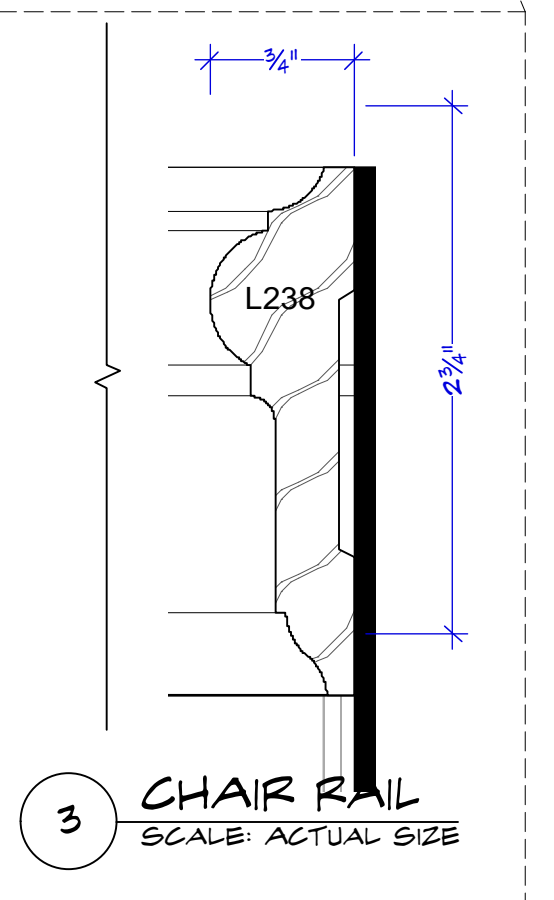
F DINING ROOM ARCHWAY
SCALE: 1/2" = 1'-0"



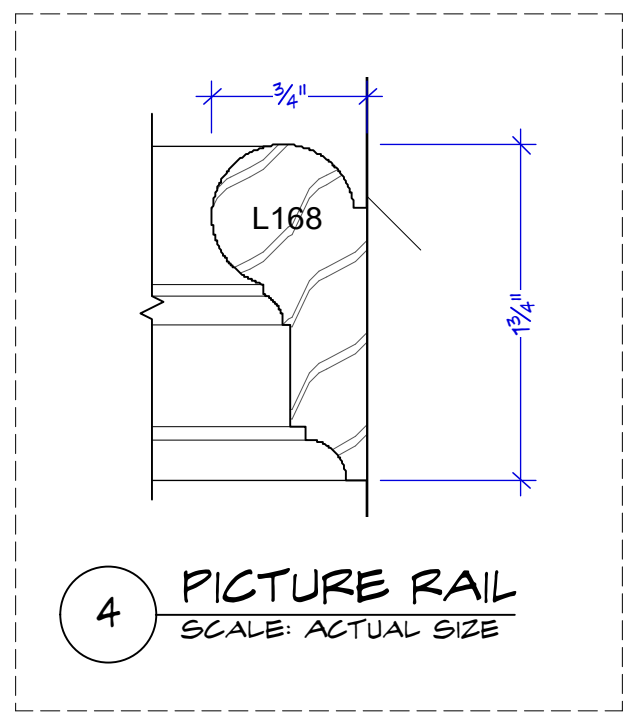
DINING ROOM ARCHWAY PLAN
SCALE: 1/2" = 1'-0"



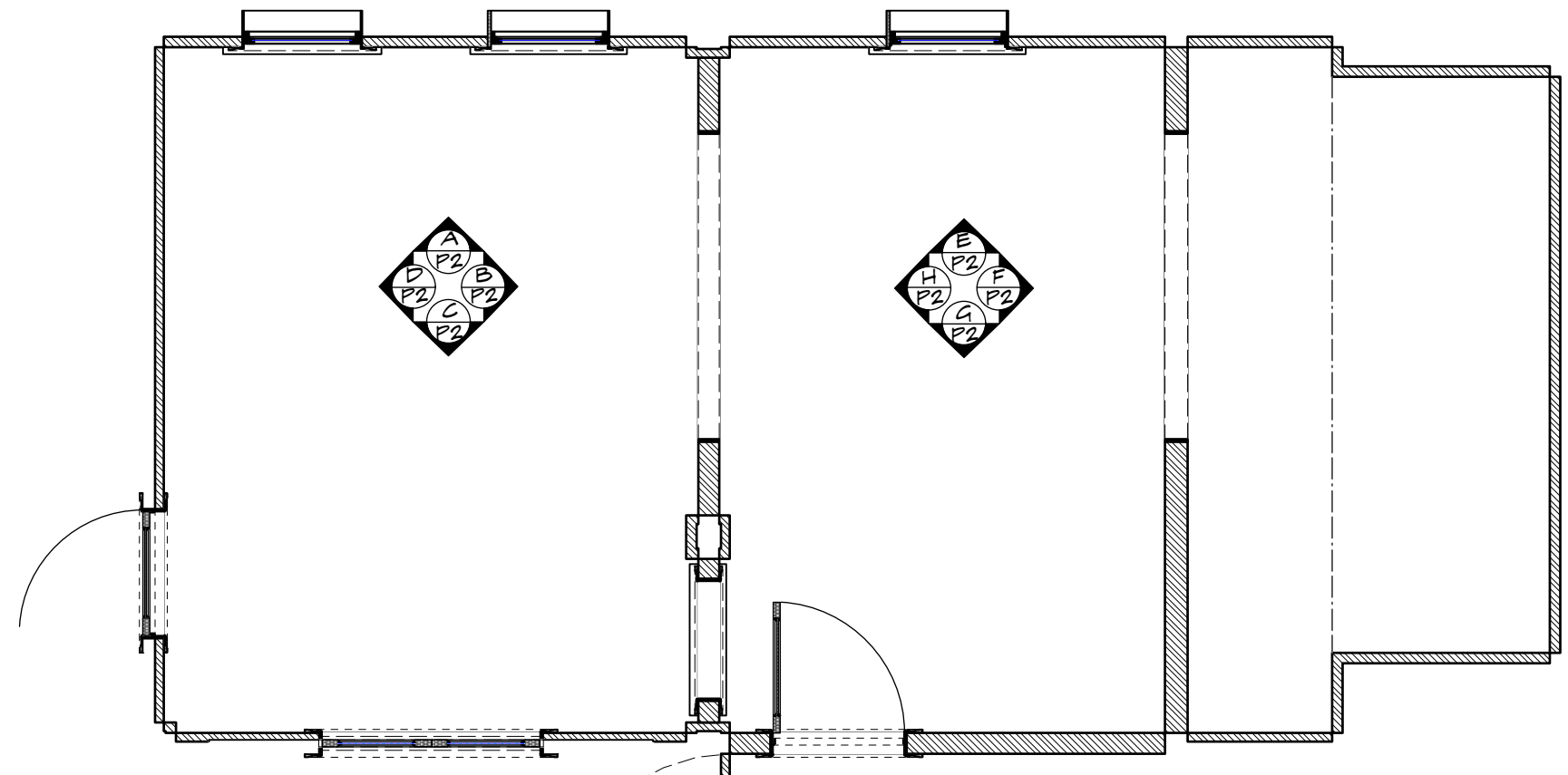
2 BASEBOARD
SCALE: ACTUAL SIZE



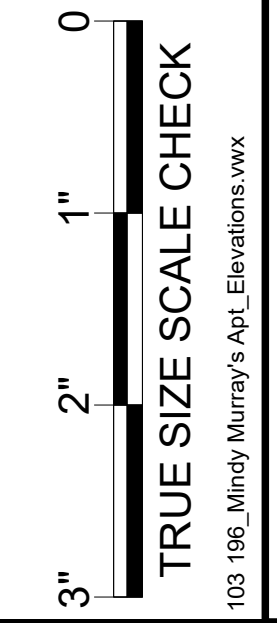
3 CHAIR RAIL
SCALE: ACTUAL SIZE

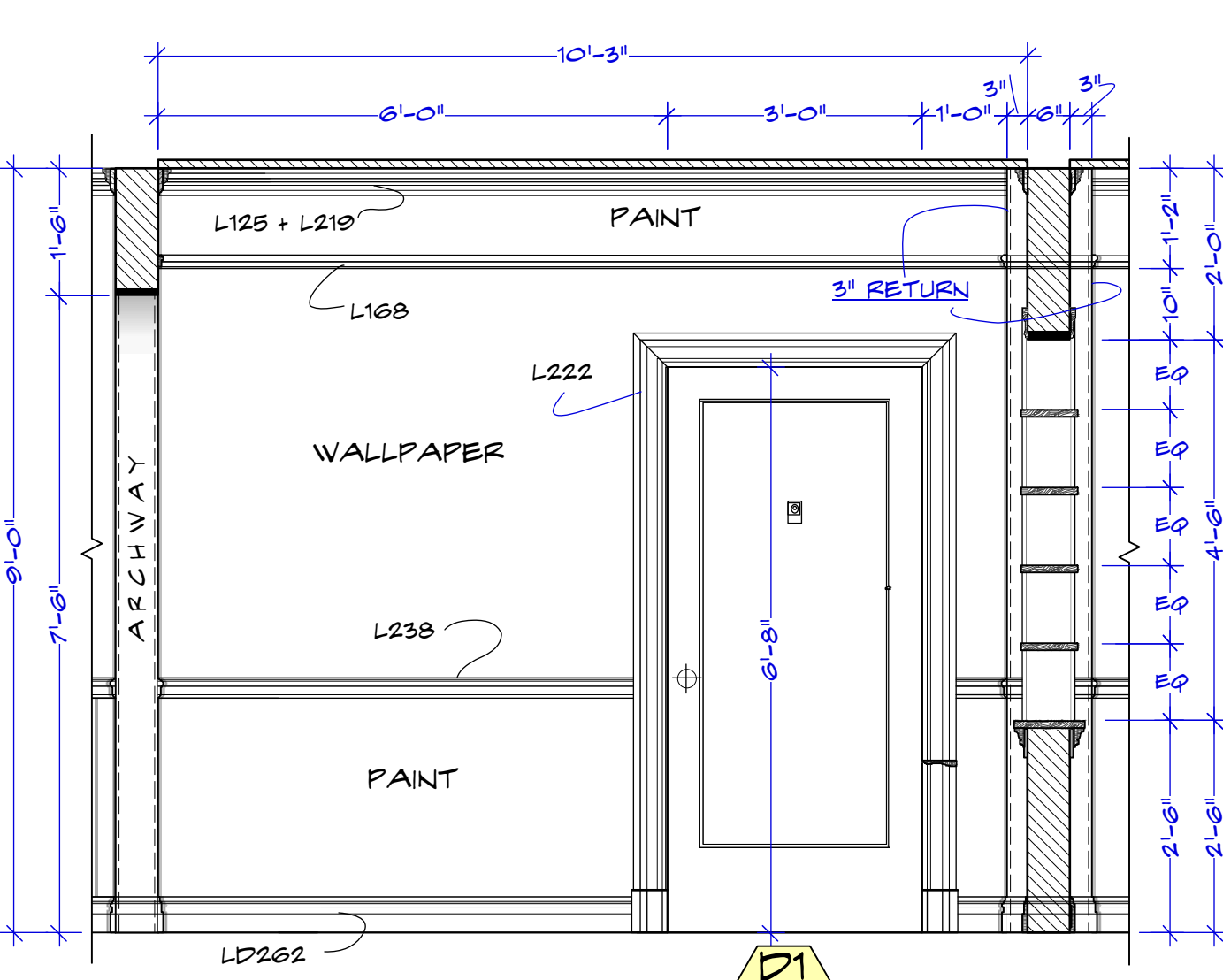


4 PICTURE RAIL
SCALE: ACTUAL SIZE

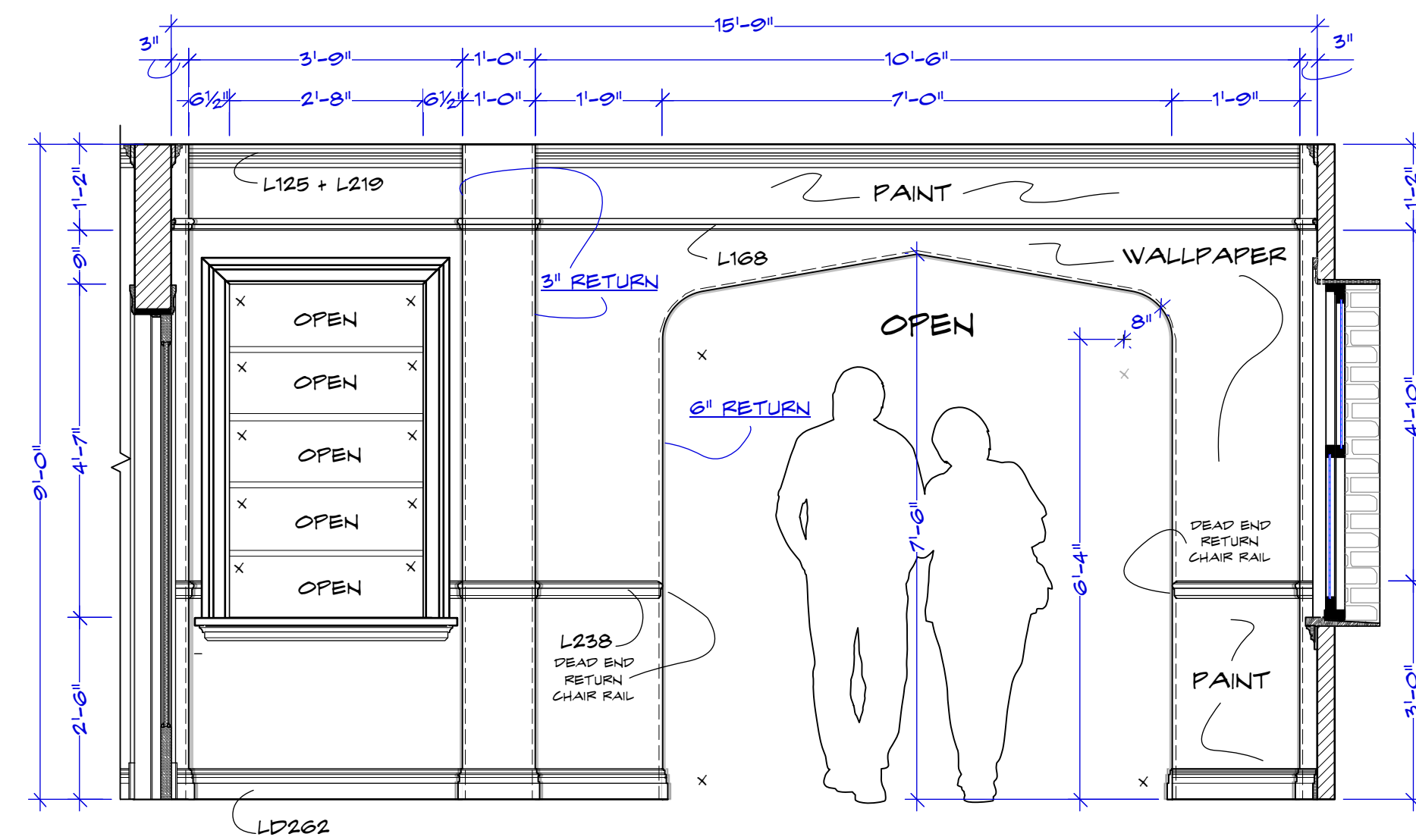


REFERENCE PLAN
SCALE: 1/4" = 1'-0"

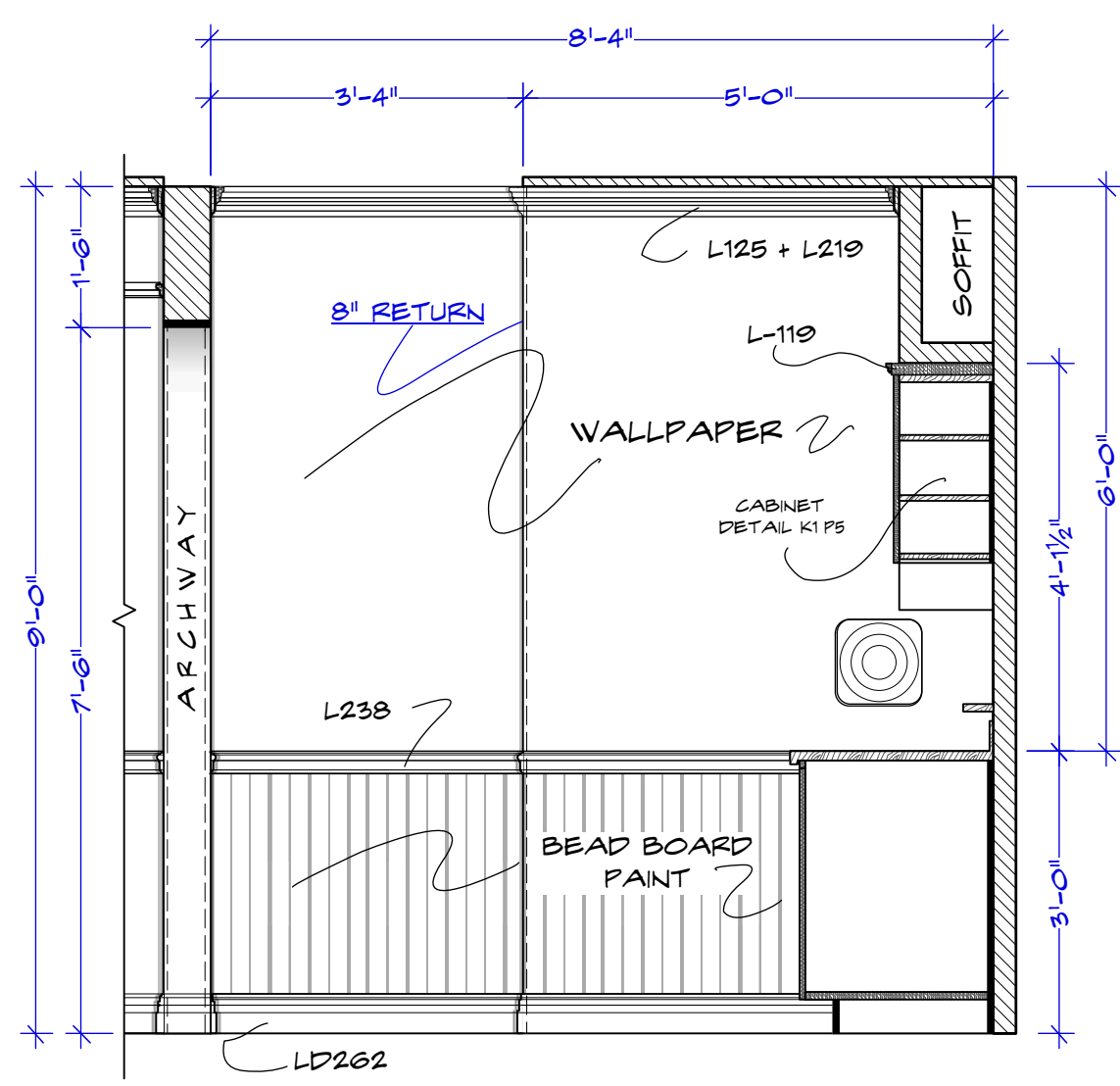




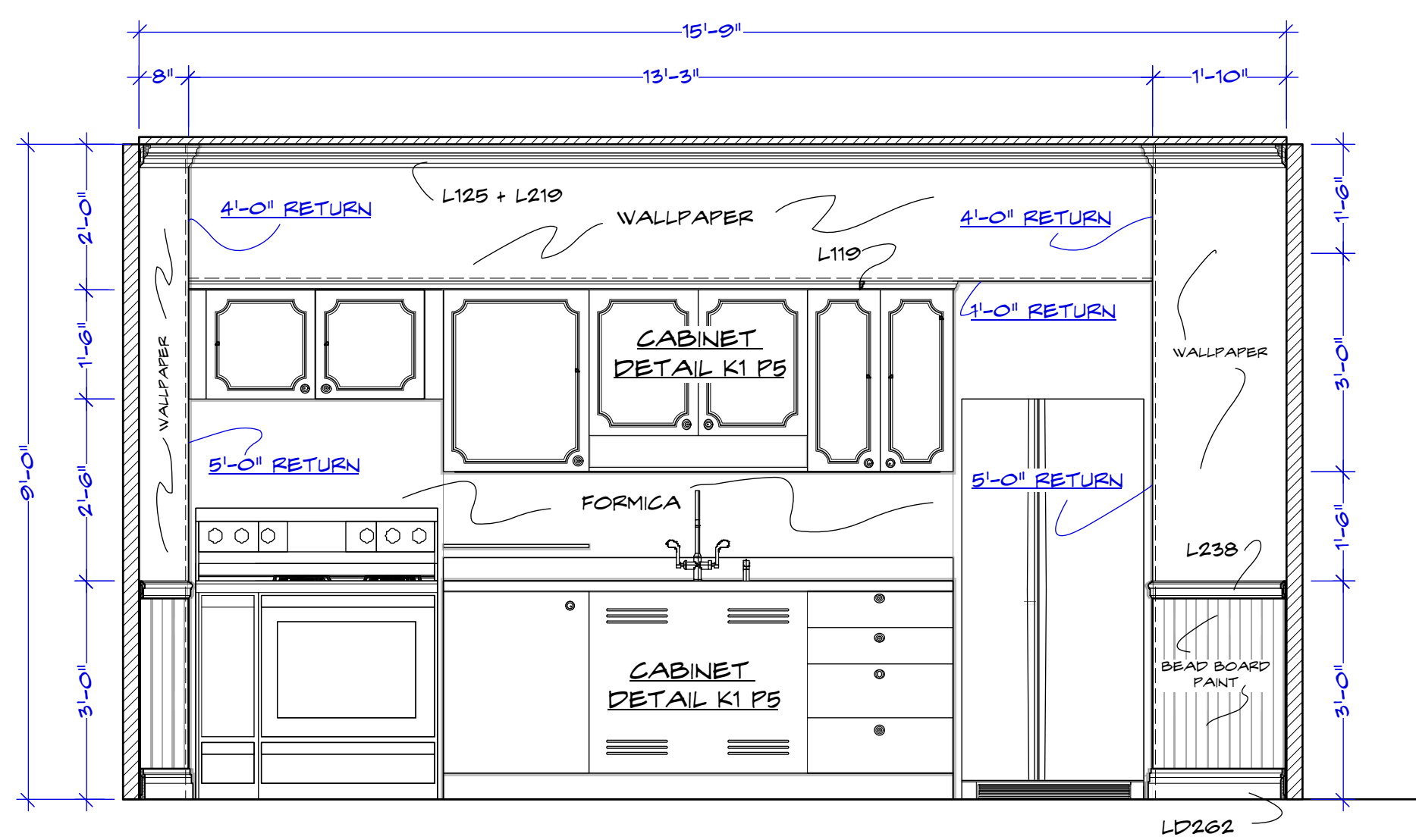
G ENTRANCE DOOR
SCALE: 1/2" = 1'-0"



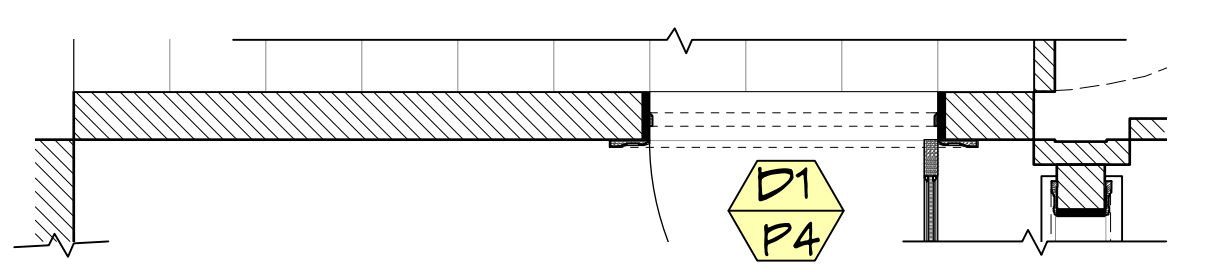
H DINING ROOM ARCHWAY
SCALE: 1/2" = 1'-0"



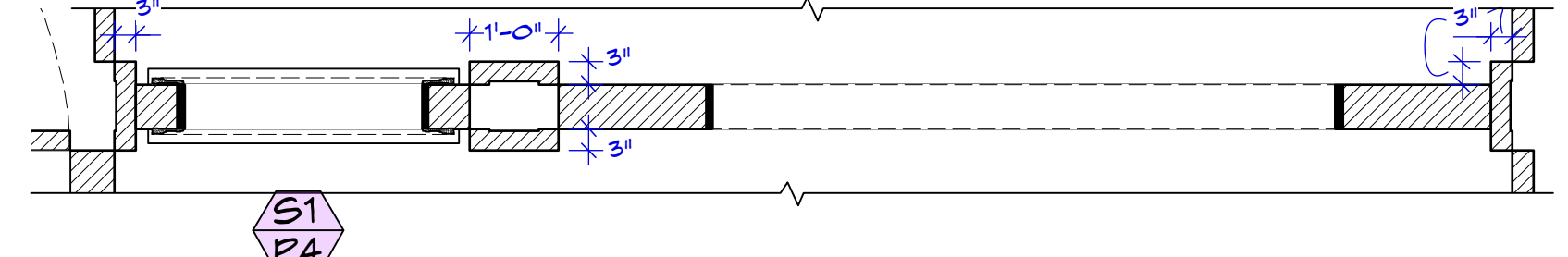
I KITCHEN WALL I
SCALE: 1/2" = 1'-0"



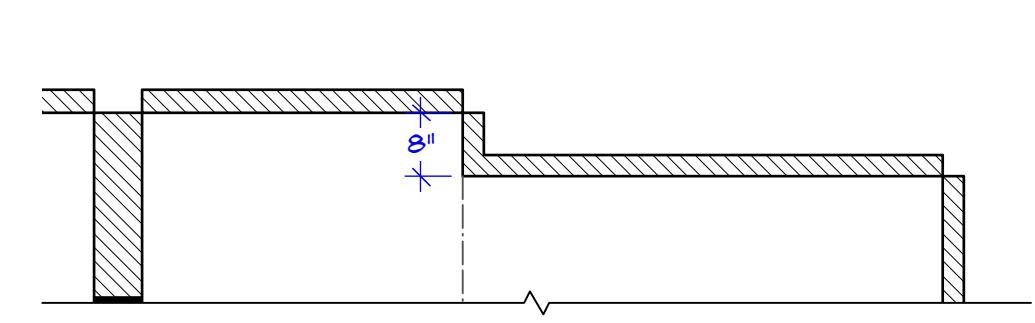
J KITCHEN CABINET WALL
SCALE: 1/2" = 1'-0"



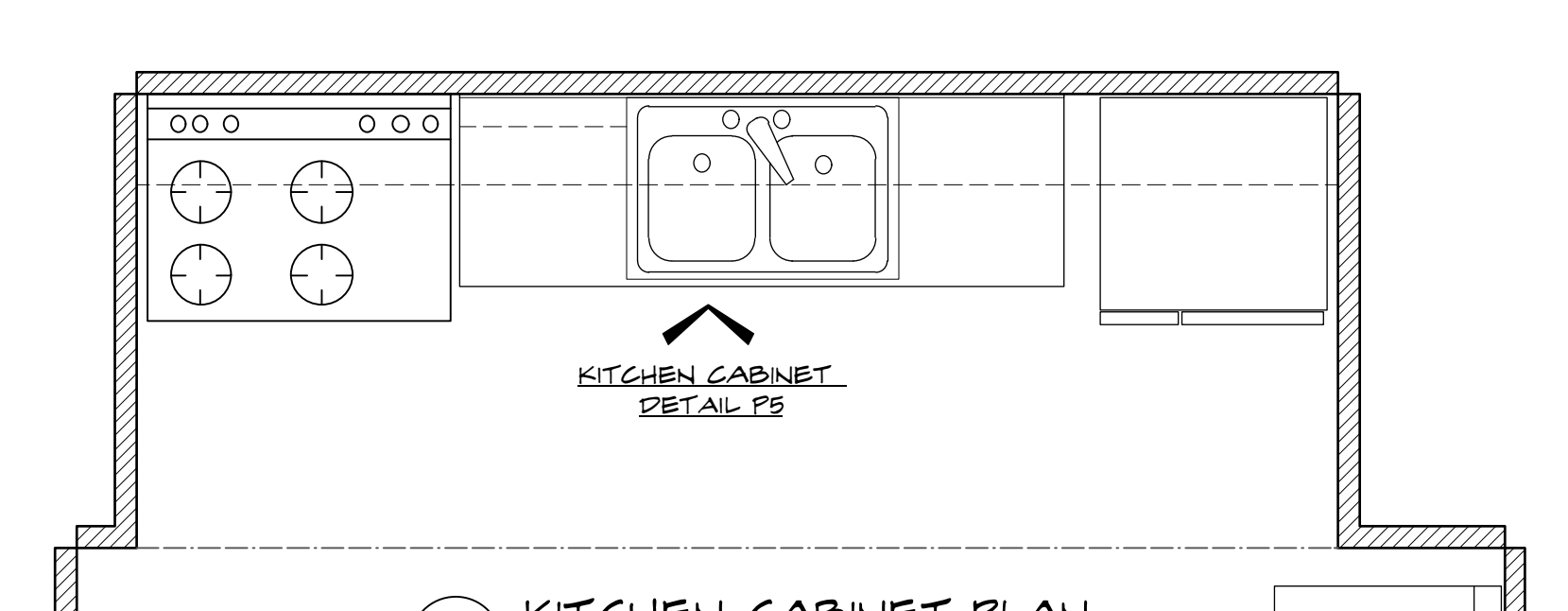
ENTRANCE PLAN
SCALE: 1/2" = 1'-0"



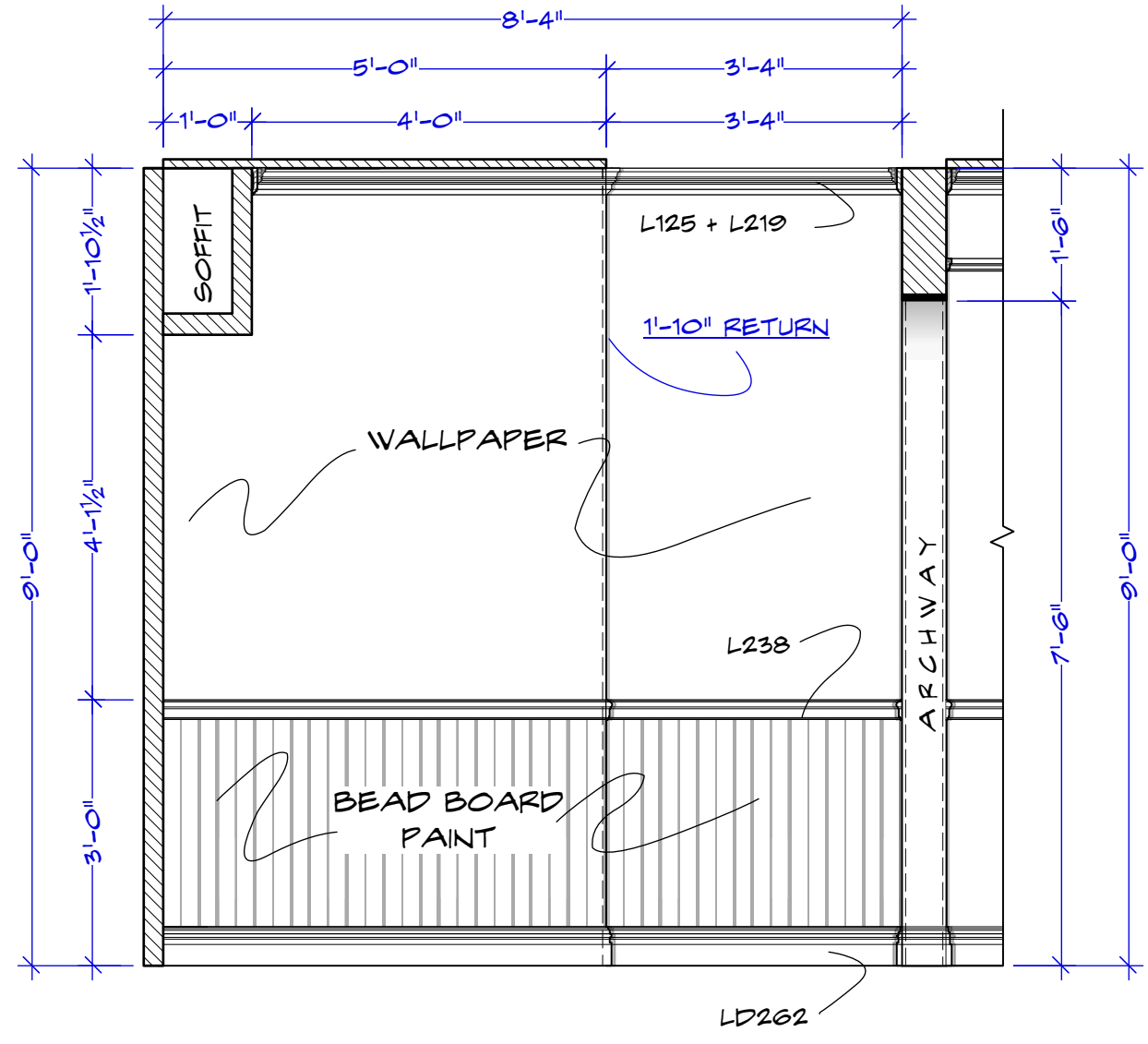
DINING ROOM ARCH PLAN
SCALE: 1/2" = 1'-0"



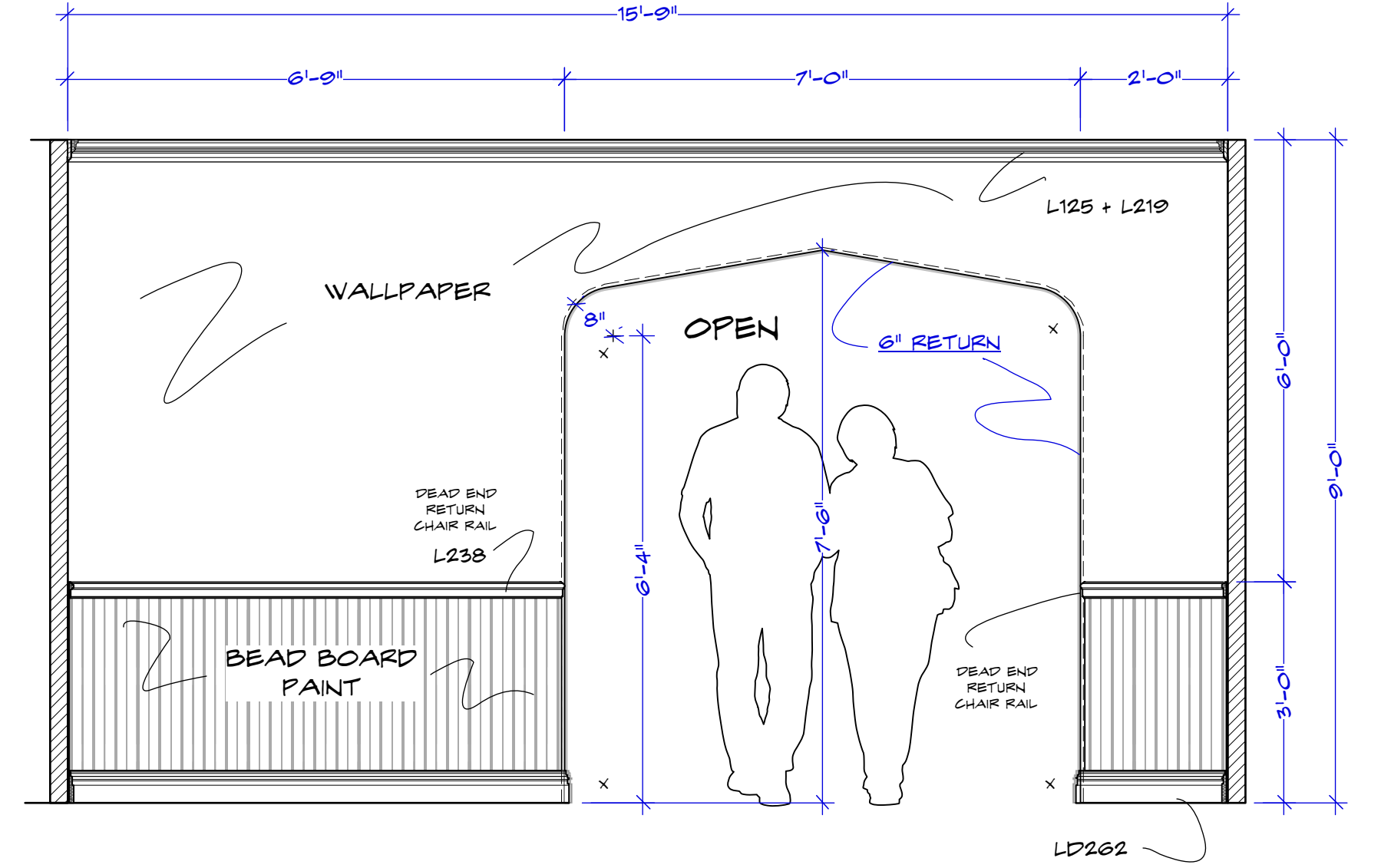
PLAN WALL I
SCALE: 1/2" = 1'-0"



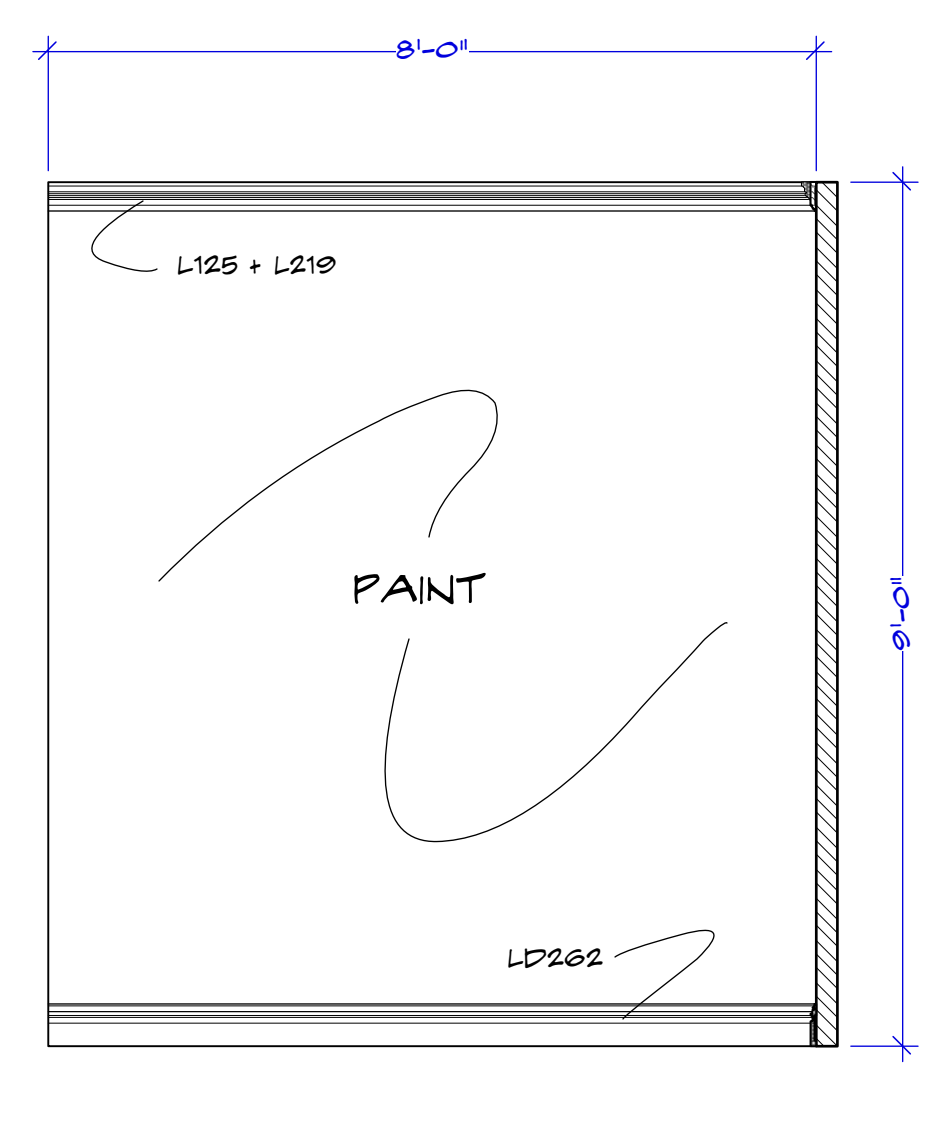
KITCHEN CABINET PLAN
SCALE: 1/2" = 1'-0"



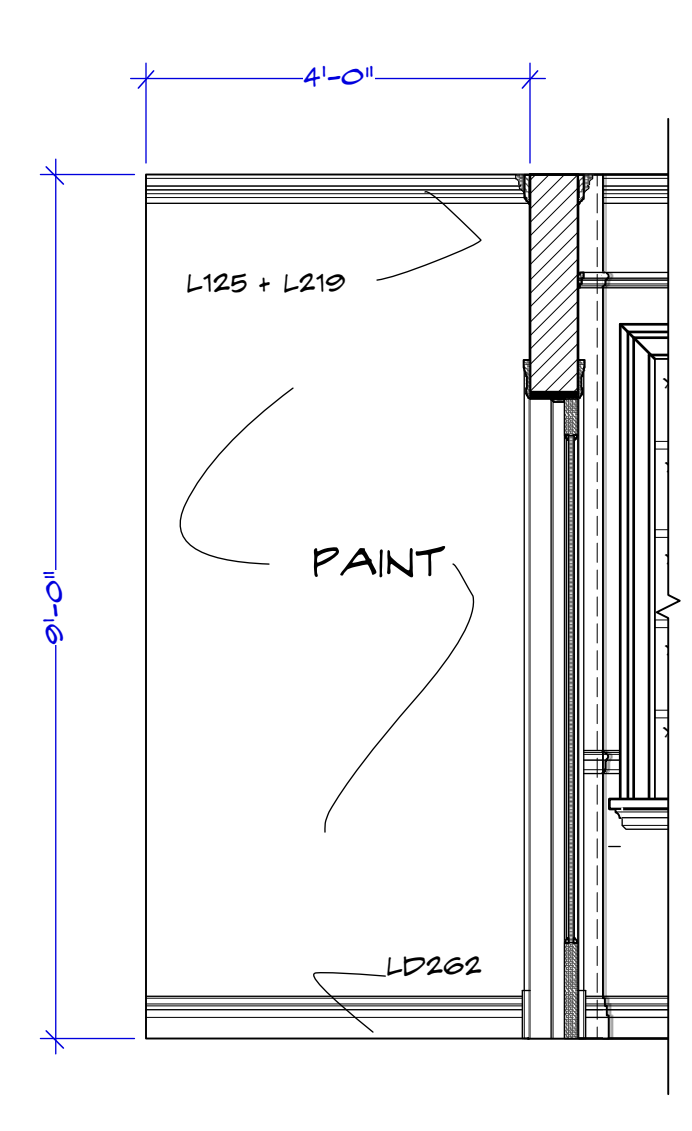
K KITCHEN WALL K
SCALE: 1/2" = 1'-0"



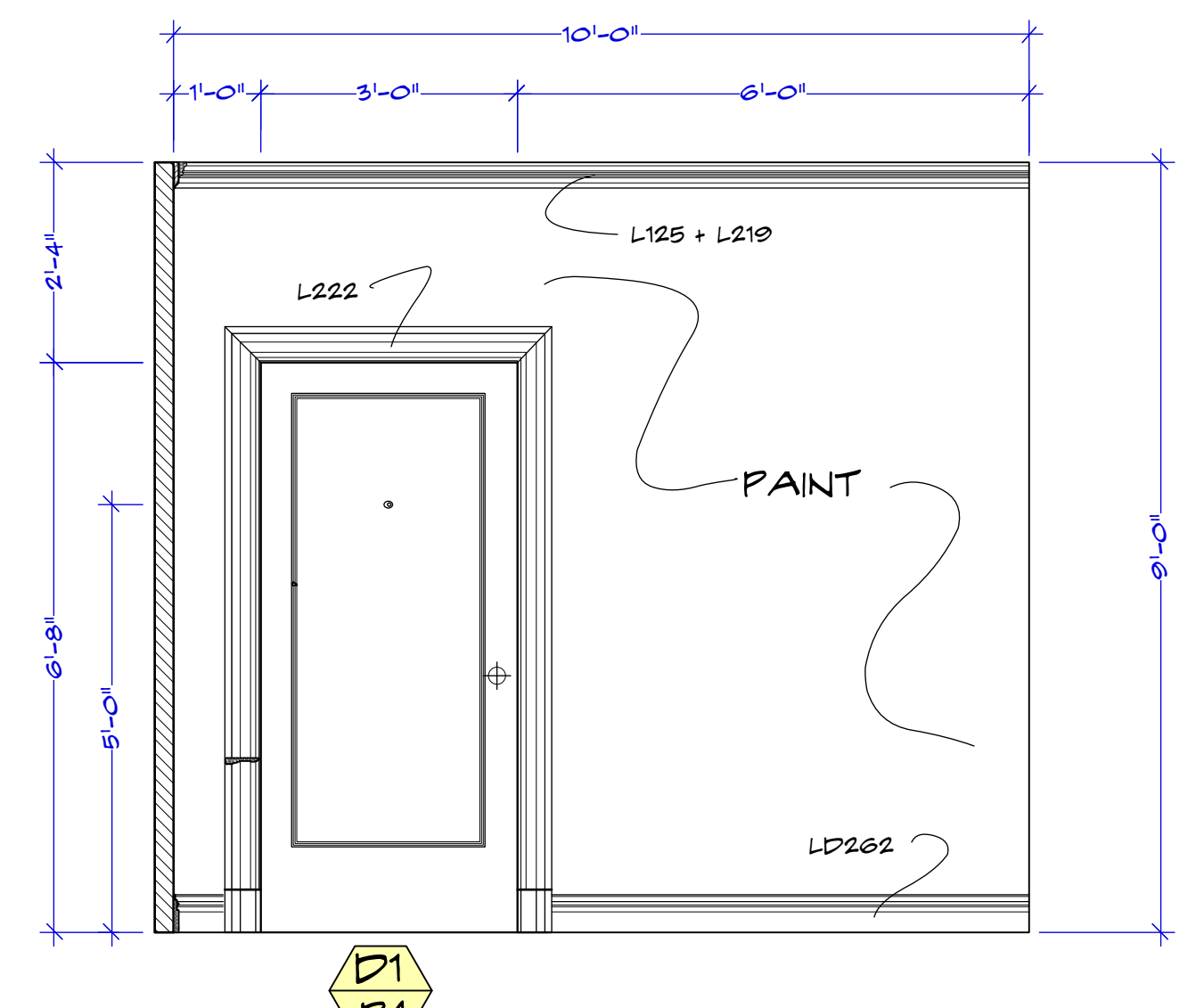
L KITCHEN ARCHWAY L
SCALE: 1/2" = 1'-0"



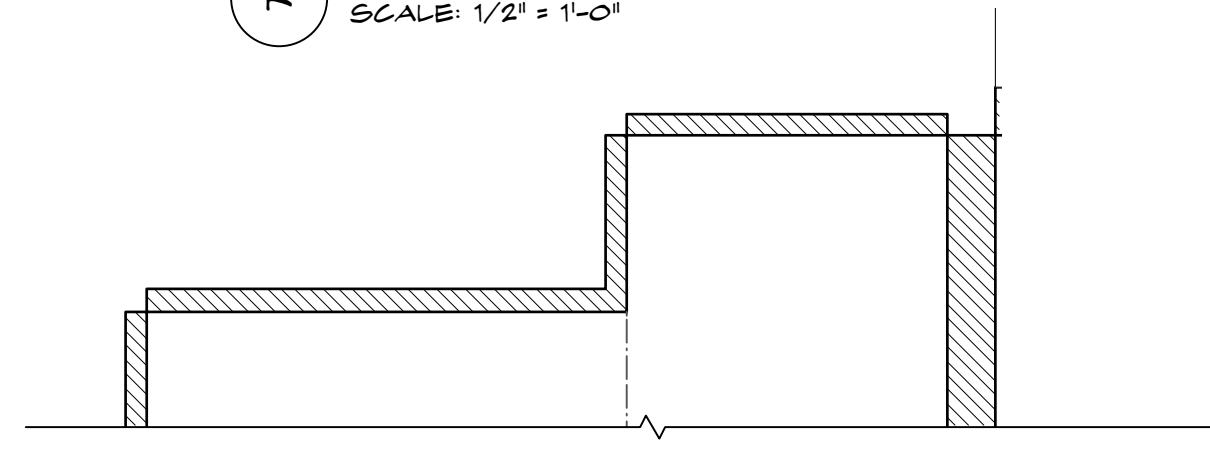
M HALL BACKING M
SCALE: 1/2" = 1'-0"



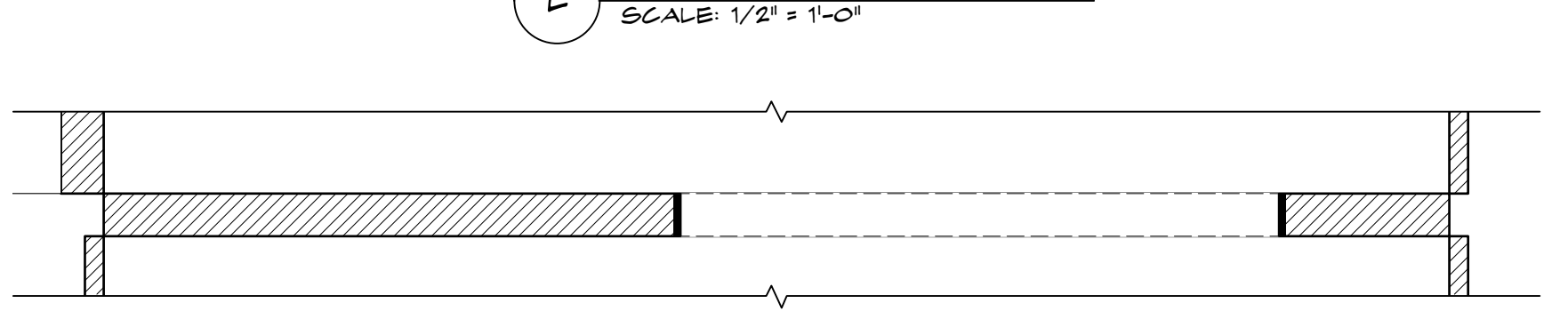
N HALL BACKING N
SCALE: 1/2" = 1'-0"



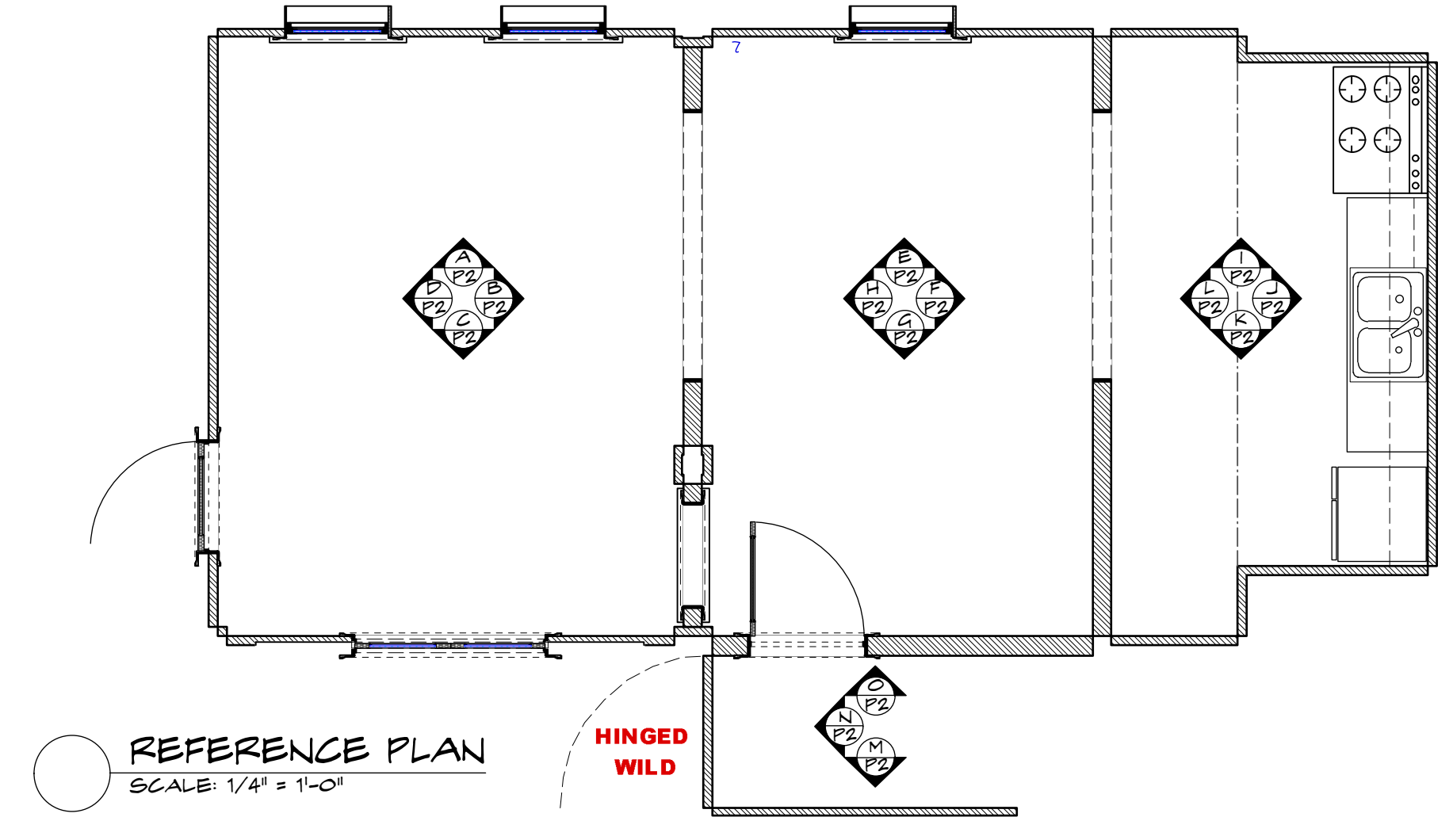
O HALL BACKING O
SCALE: 1/2" = 1'-0"



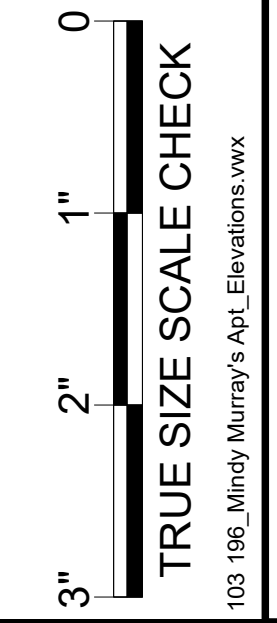
WALL K PLAN
SCALE: 1/2" = 1'-0"

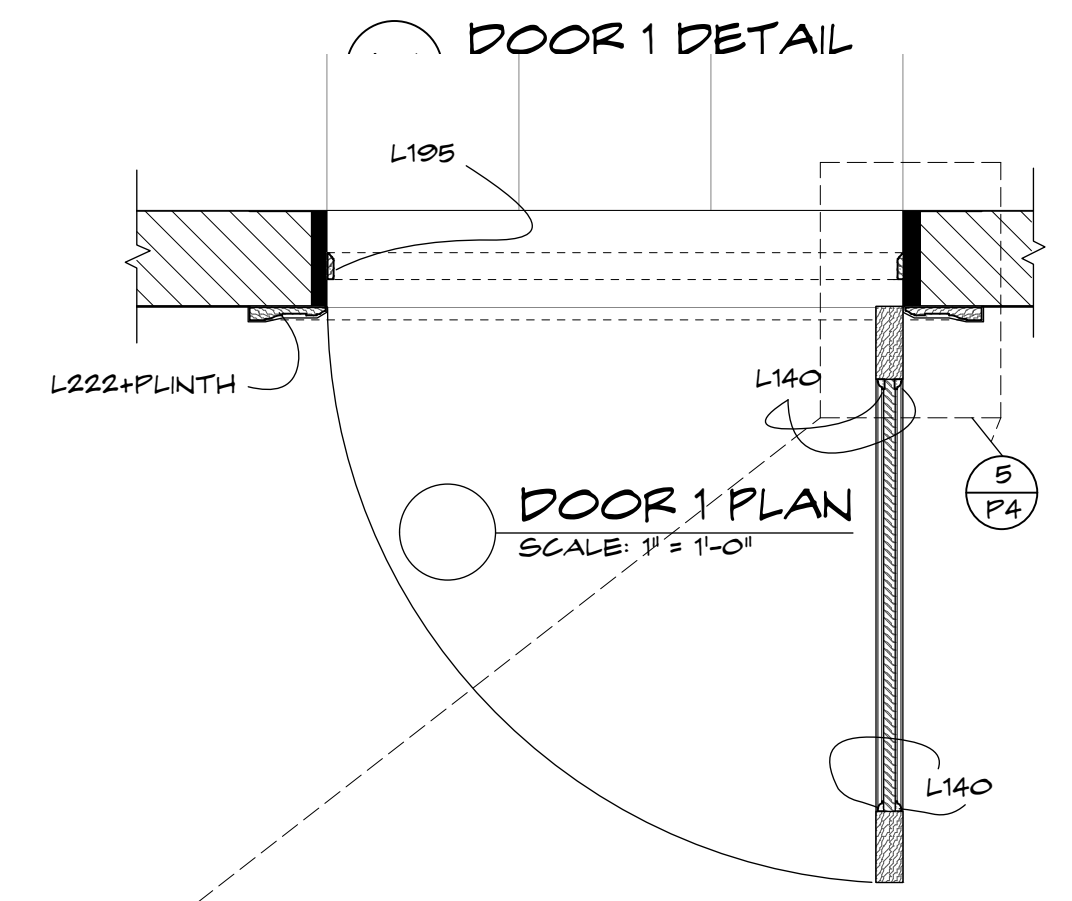
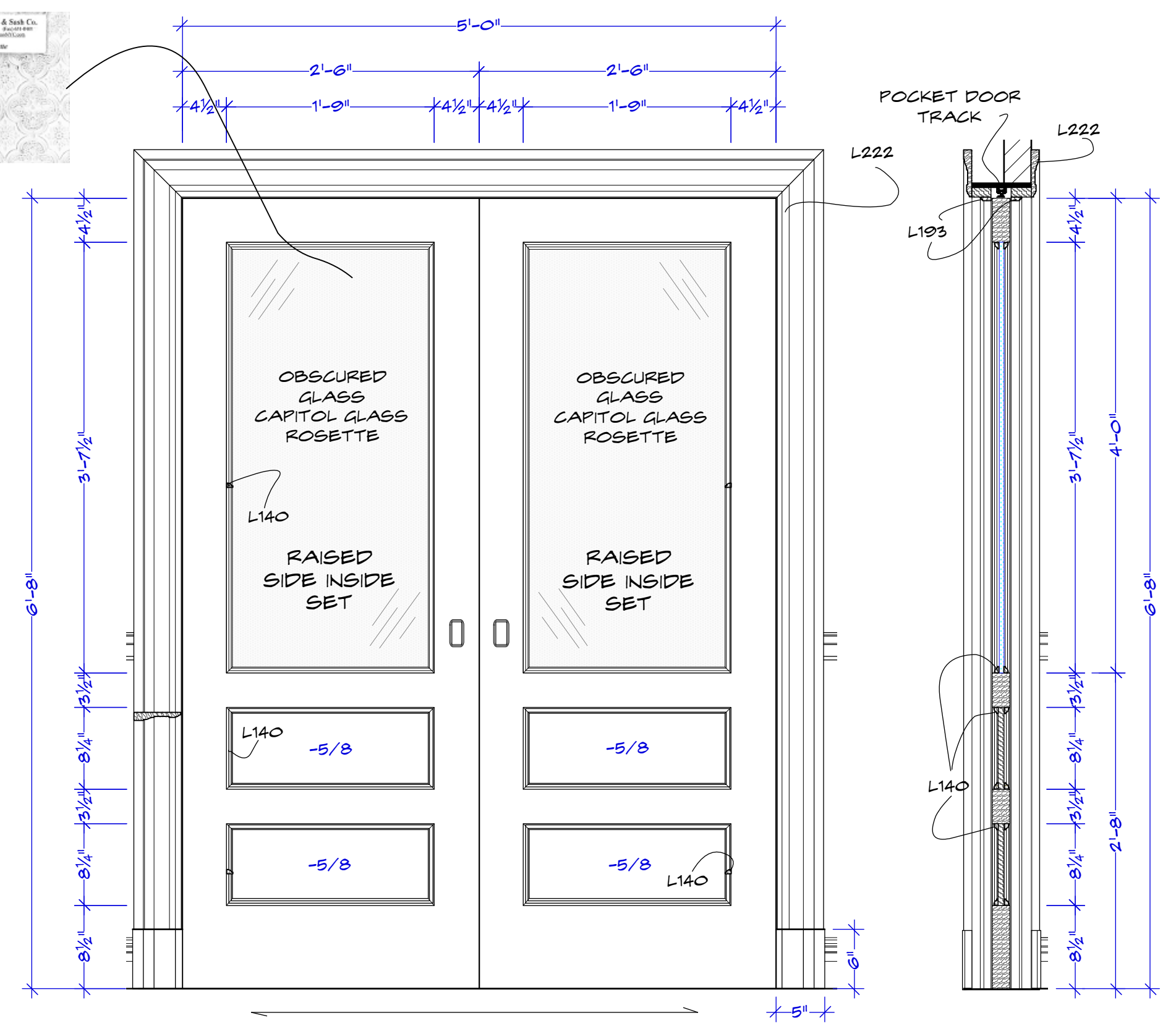
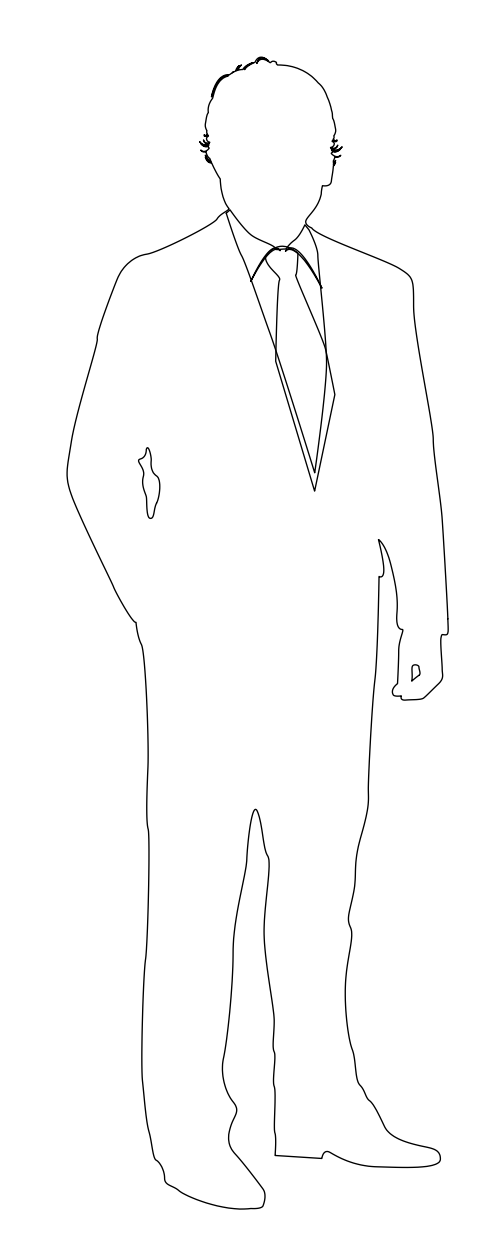
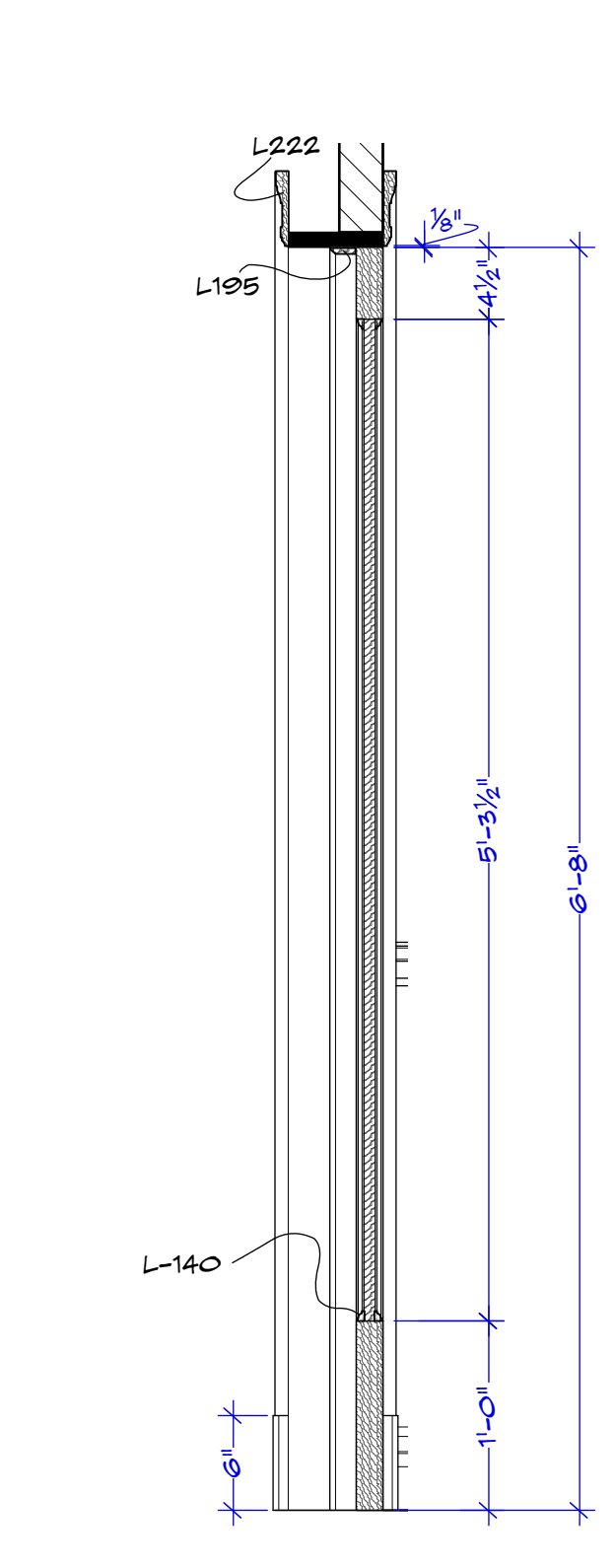
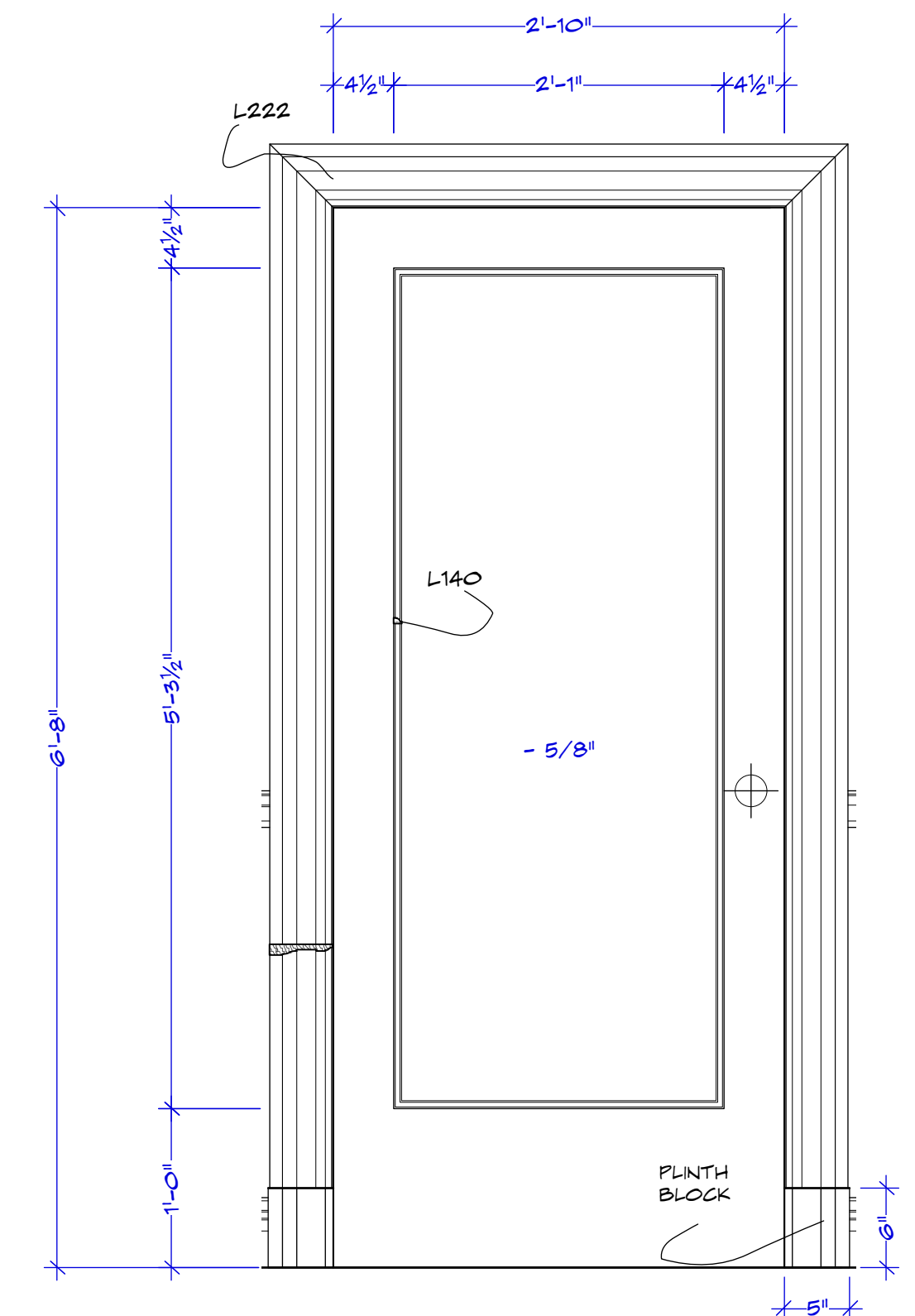
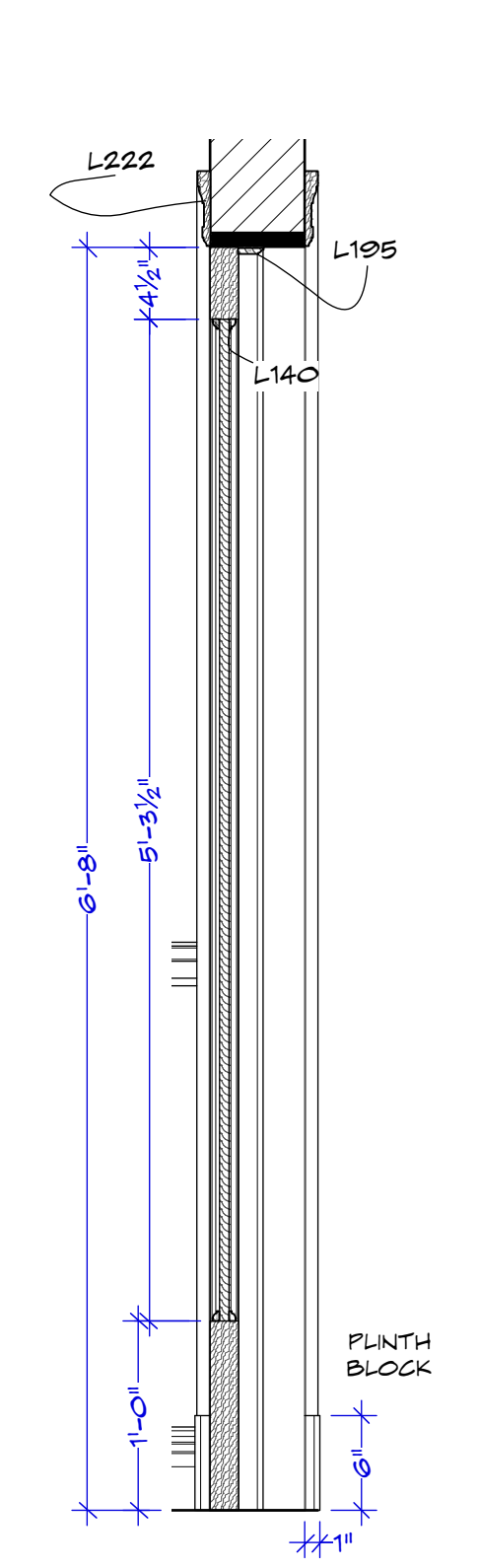
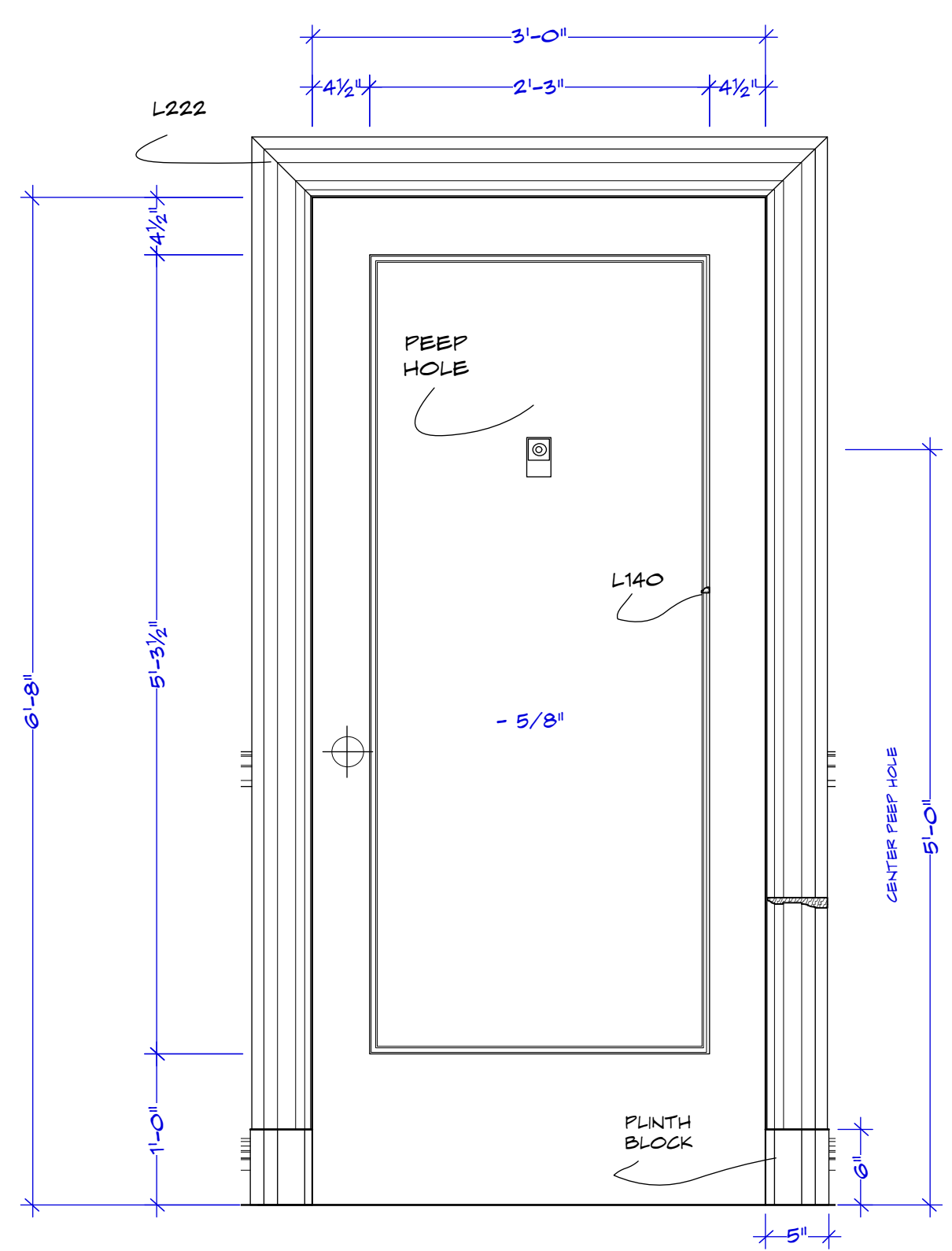


KITCHEN ARCHWAY PLAN
SCALE: 1/2" = 1'-0"

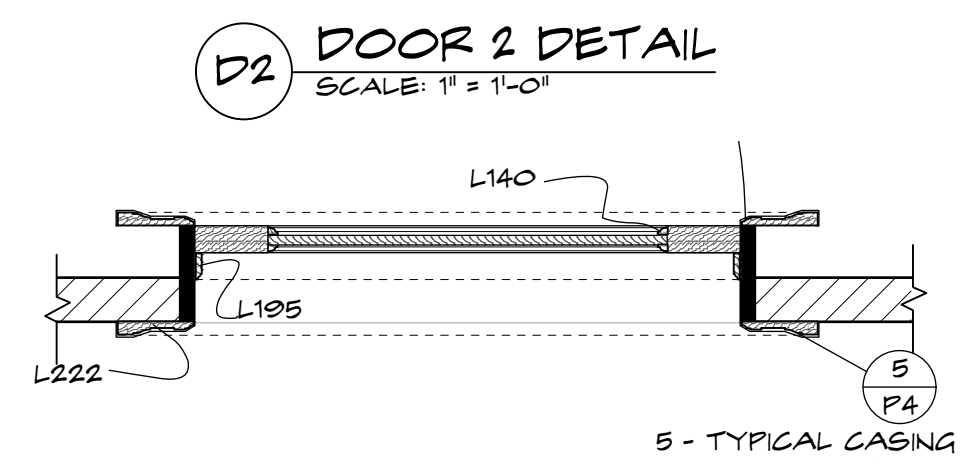


REFERENCE PLAN
SCALE: 1/4" = 1'-0"



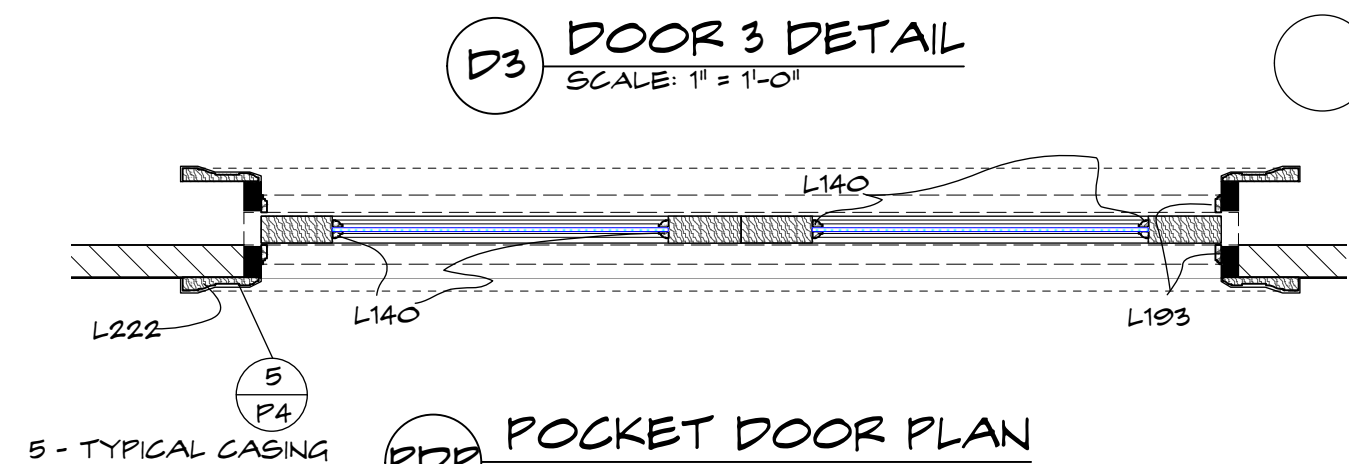


D1-SECTION
SCALE: 1" = 1'-0"



D2 DOOR 2 DETAIL
SCALE: 1" = 1'-0"

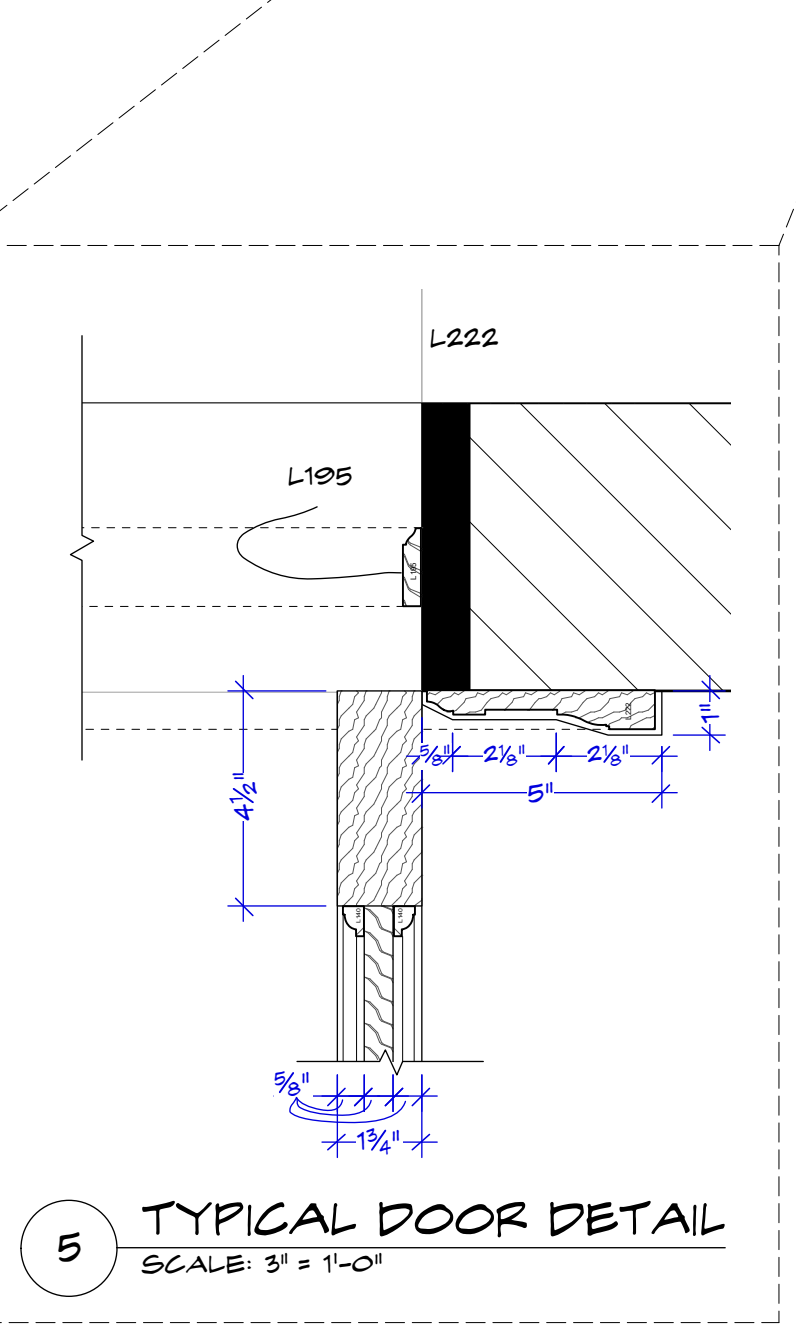
DOOR 2 SECTION
SCALE: 1" = 1'-0"



D3 DOOR 3 DETAIL
SCALE: 1" = 1'-0"

POCKET SECTION
SCALE: 1" = 1'-0"

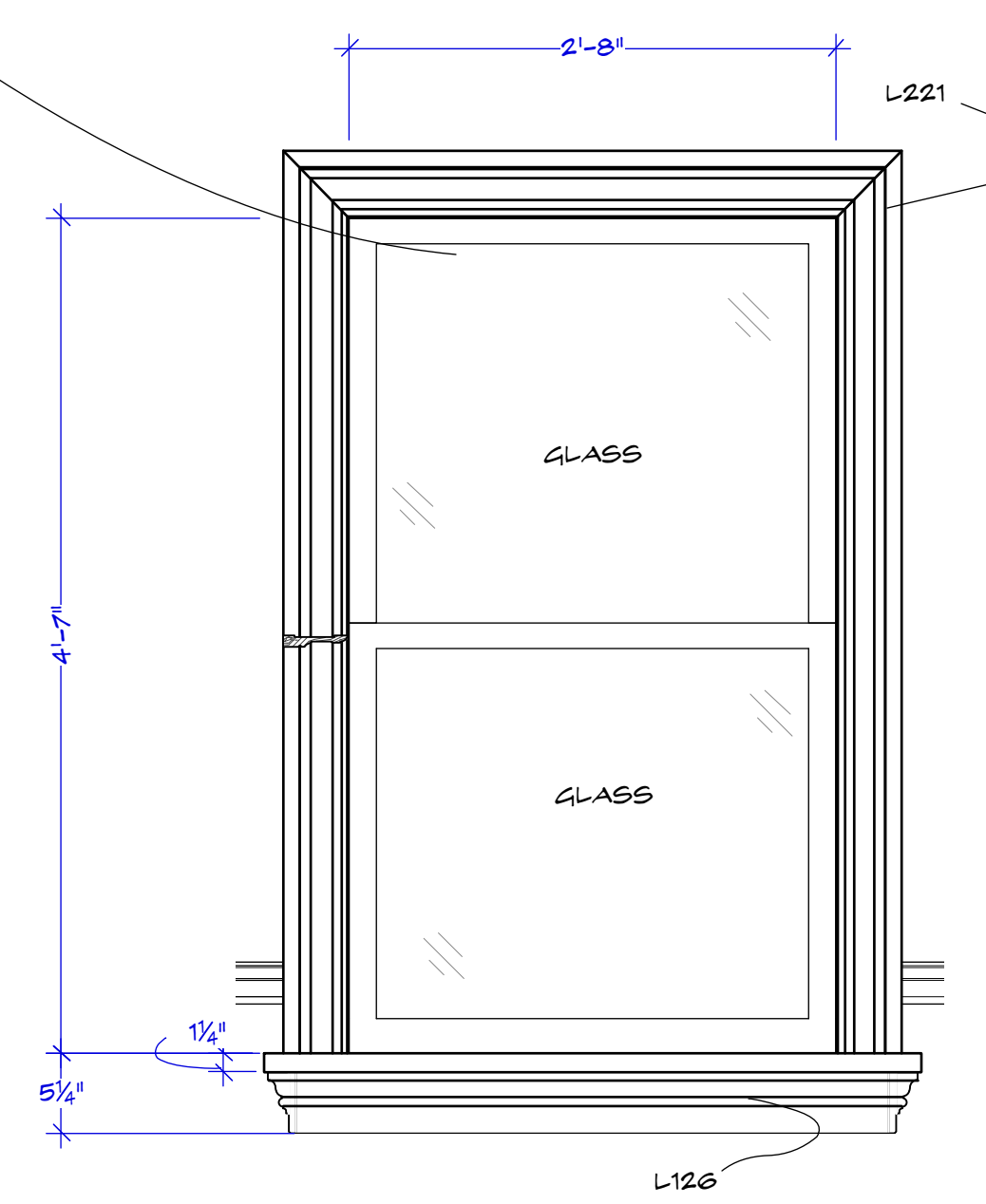
PDP POCKET DOOR PLAN
SCALE: 1" = 1'-0"



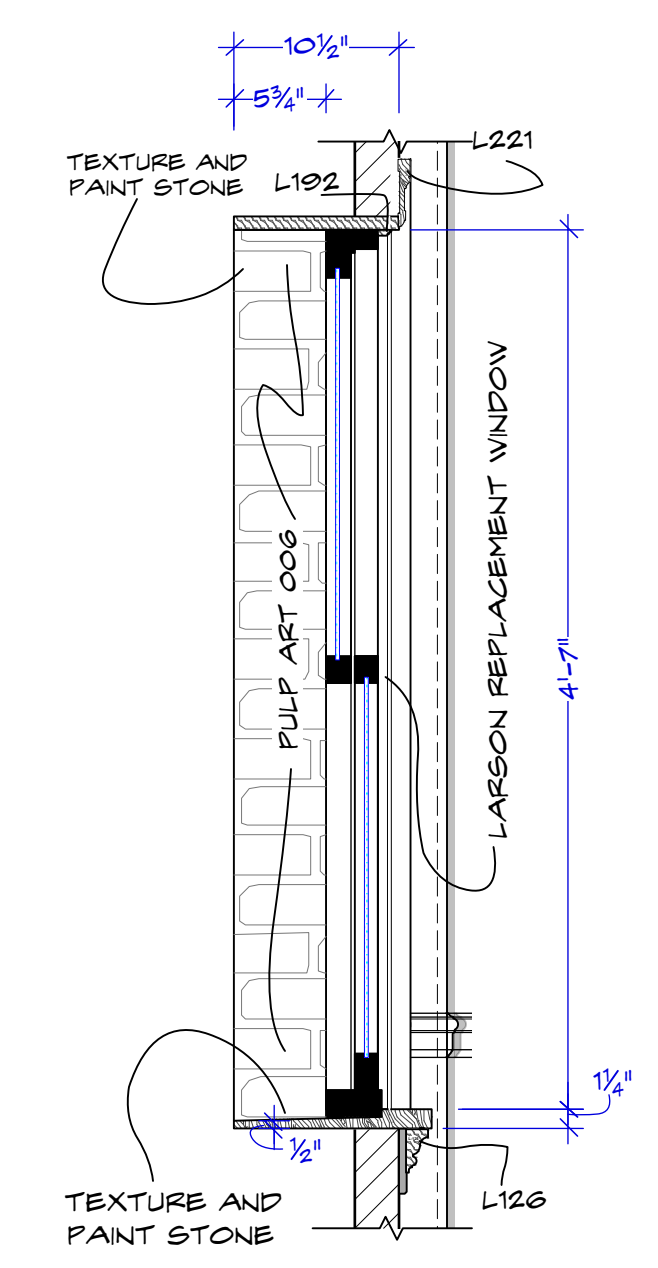
5 TYPICAL DOOR DETAIL
SCALE: 3" = 1'-0"



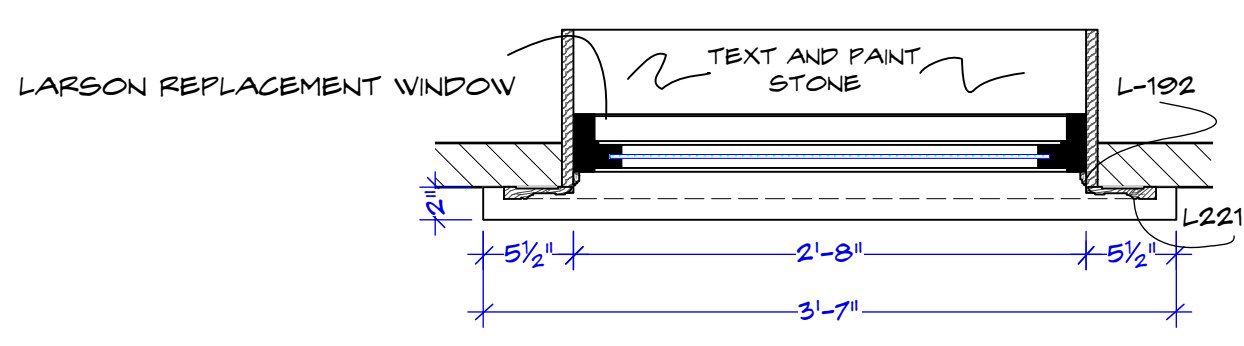
LOWES X 3
LARSON LOW-E ALUMINUM BROWN WINDOW
(ROUGH OPENING: 32-IN X 55-IN;
ACTUAL: 31.875-IN X 55-IN)



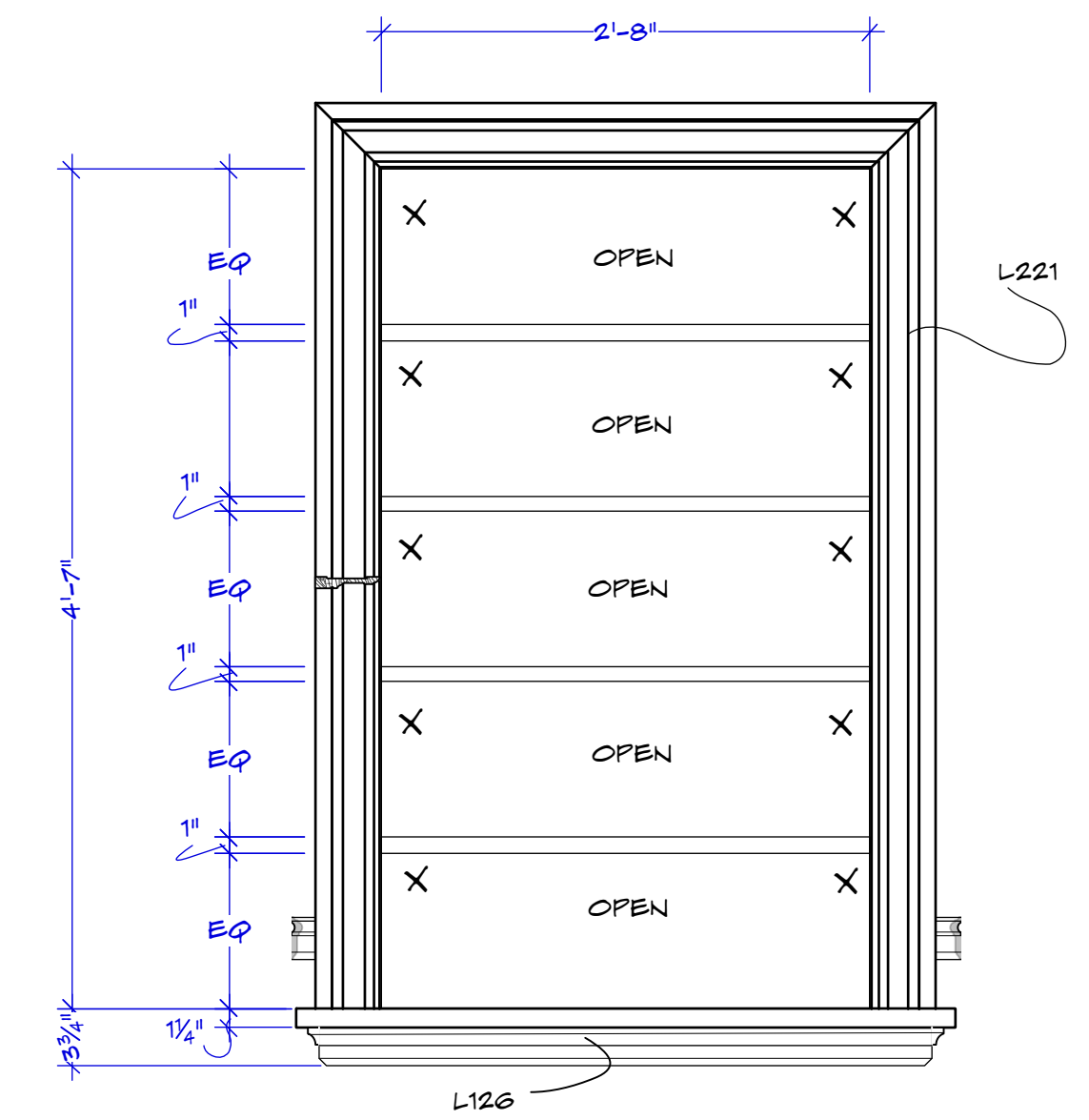
W1 WINDOW DETAIL MAKE 3
SCALE: 1" = 1'-0"



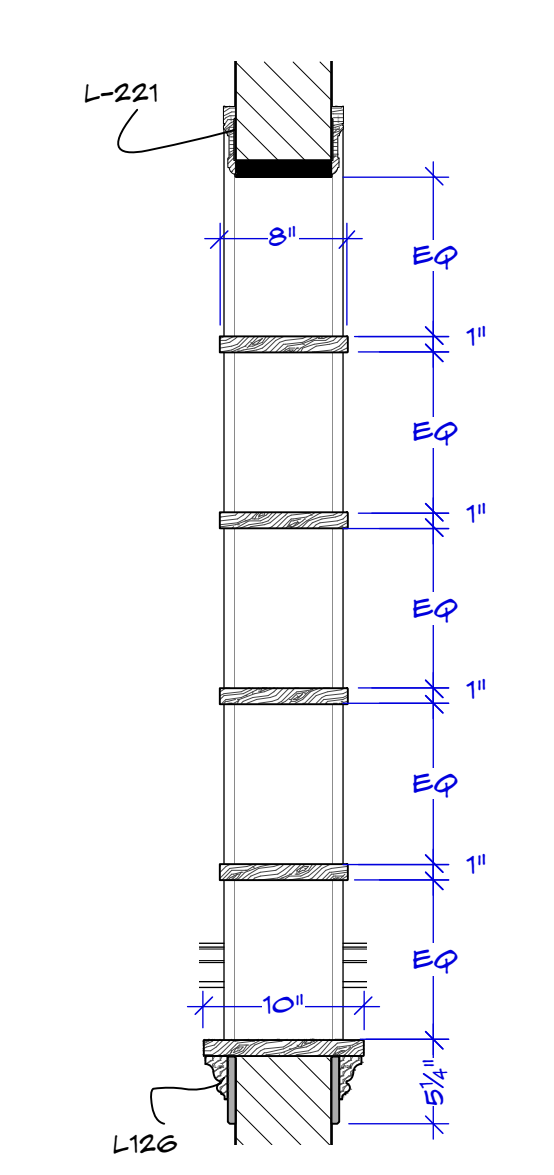
WINDOW SECTION
SCALE: 1" = 1'-0"



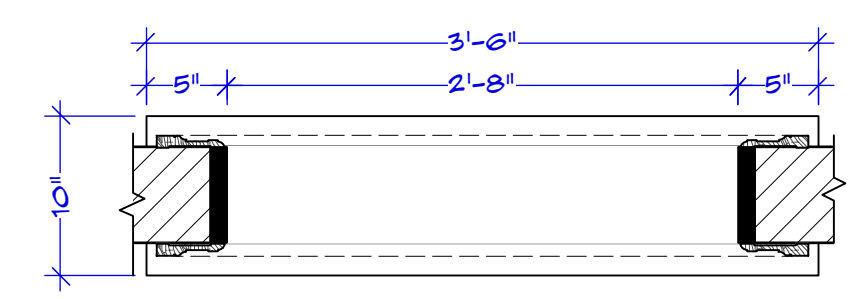
WINDOW PLAN
SCALE: 1" = 1'-0"



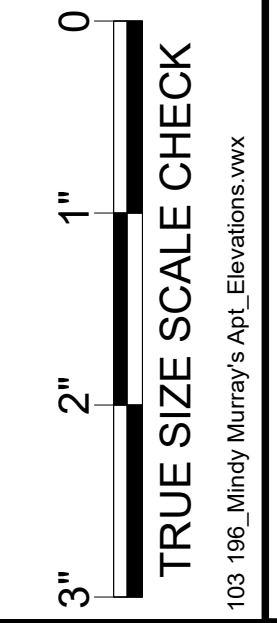
S1 SHELF 1 DETAIL
SCALE: 1" = 1'-0"



SHELF SECTION
SCALE: 1" = 1'-0"



SHELF DETAIL PLAN
SCALE: 1" = 1'-0"

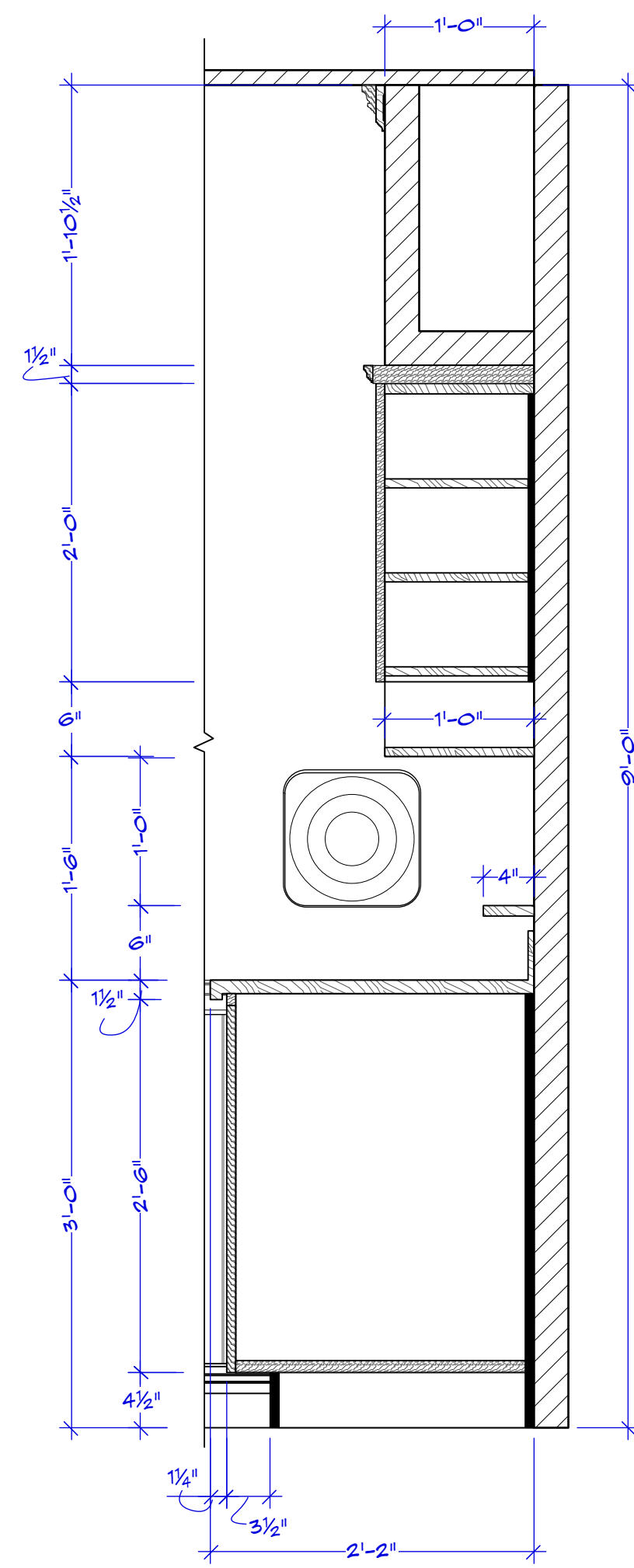


TRUE SIZE SCALE CHECK
103 196_Mindy Murray's Apt_Elevations.wvx

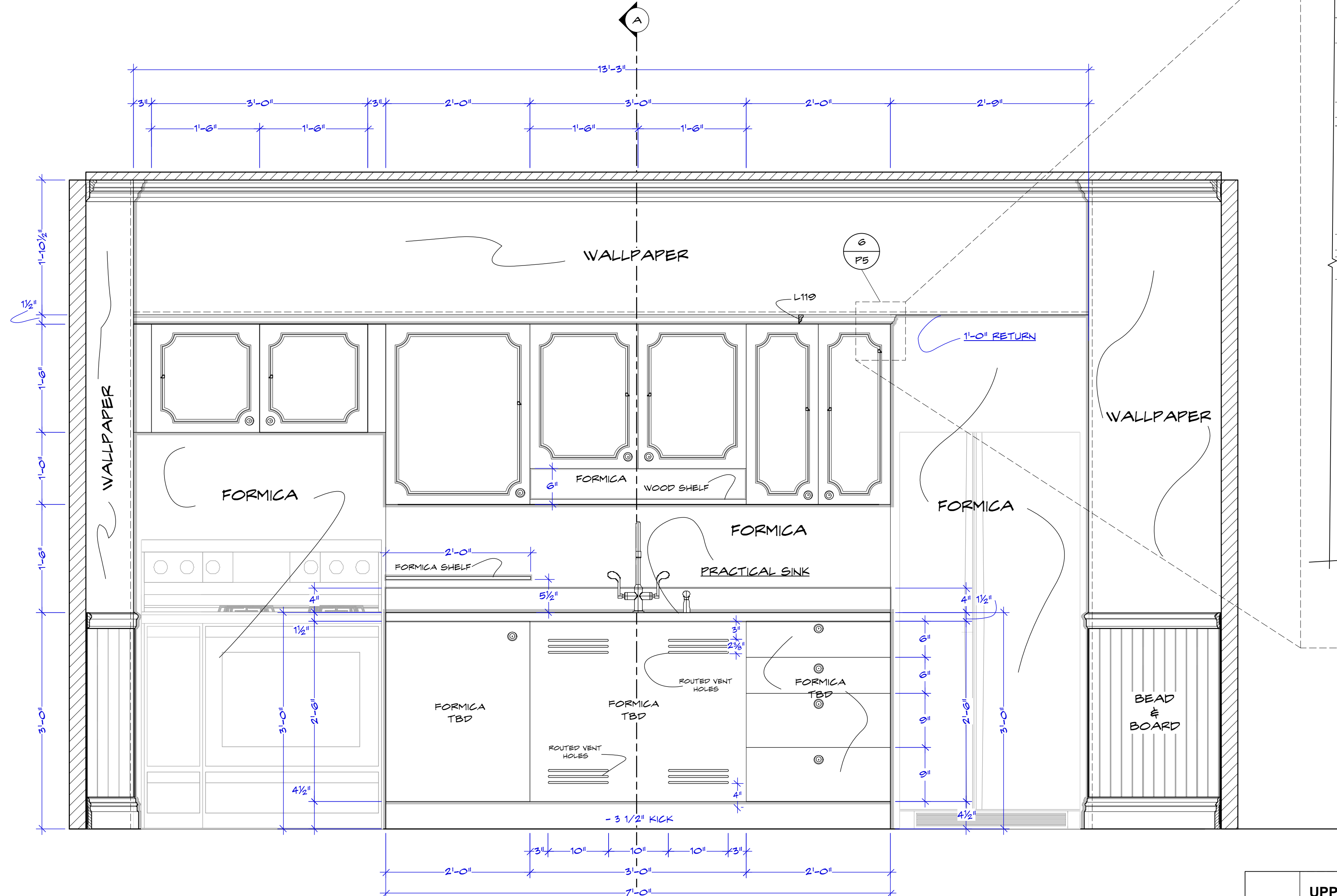
RELEASED 04/29/2019

Episode: 103	Set #: 196	Scale: NOTED
Director: VARIOUS	Location: STAGE 27	
Exec Producer: NIKKI TOSCANO	Producer: JERRY KUPFER	
Line Producer: BILL SELL	UPM: BILL SELL	
Address: STEINER STUDIO 15 WASHINGTON AVE	Art Director: MARCI MUDD	
Prod. Designer: CURT BEECH	Const. Coordinator: NILES NORTON	
Set Decorator: SUSAN MARSHAL		
Drawn By: M. FAHRER	Sheet No.: 196-04	
Shoot Date: 05/04/2019		

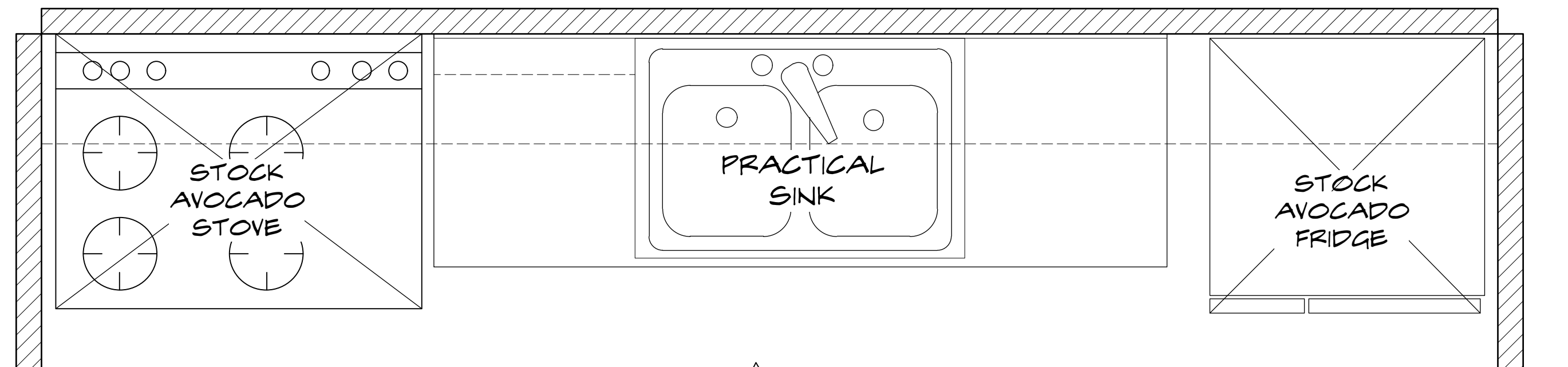




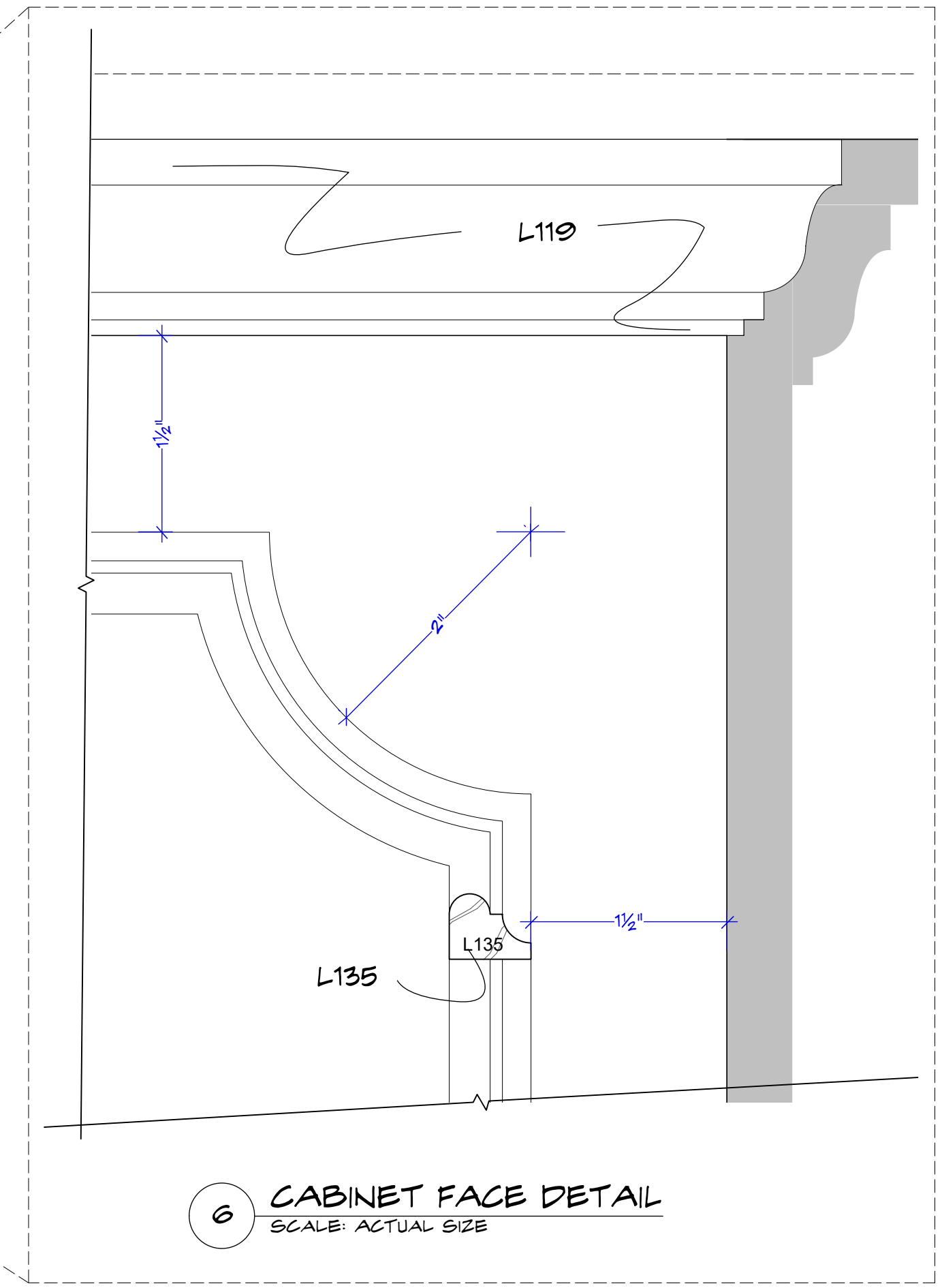
A-A SECTION A-A
SCALE: 1" = 1'-0"



K-D KITCHEN DETAIL
SCALE: 1" = 1'-0"



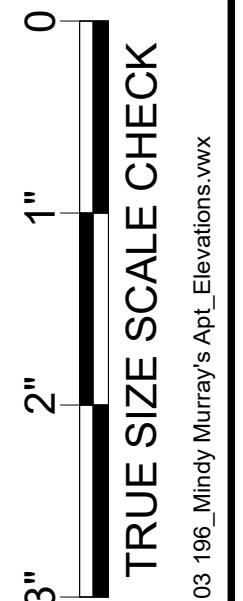
1 KITCHEN DETAIL PLAN
SCALE: 1" = 1'-0"



G CABINET FACE DETAIL
SCALE: ACTUAL SIZE

CABINET SCHEDULE

UPPER CABINETS				
QTY	1	1	1	1
TYPE	UPPER 2 DOOR	UPPER 1 DOOR	UPPER 2 DOOR	UPPER 2 DOOR
ELEVATION				
SIZE	36 X 18	24 X 30	36 X 24	24 X 30
DOORS	2	1	2	2
HARDWARE	2 KNOBS	1 KNOBS	2 KNOBS	2 KNOBS
FINISH	STAIN	STAIN	STAIN	
LOWER CABINETS				
QTY	1	1	1	
TYPE	LOWER 1 DOOR	LOWER SINK	LOWER 4 DR	
ELEVATION				
SIZE	24 X 35	36 X 35	24 X 35	
DOORS	1	X	4 DRAWERS	
HARDWARE	FORMICA	FORMICA	FORMICA	
FINISH	X	X	X	



RELEASED 04/29/2019

Episode: **103**
Set #: **196**
Scale: **NOTED**

Set Name & Description: **MINDY MURRAY'S APARTMENT - KITCHEN DETAILS**
Director: **VARIOUS**
Location: **STAGE 27**

Exec Producer: **NIKKI TOSCANO**
Line Producer: **BILL SELL**
Address: **STEINER STUDIO 15 WASHINGTON AVE**
Prod. Designer: **CURT BEECH**
Set Decorator: **SUSAN MARSHAL**

Producer: **JERRY KUPFER**
UPM: **BILL SELL**
Art Director: **MARCI MUDD**
Const. Coordinator: **NILES NORTON**

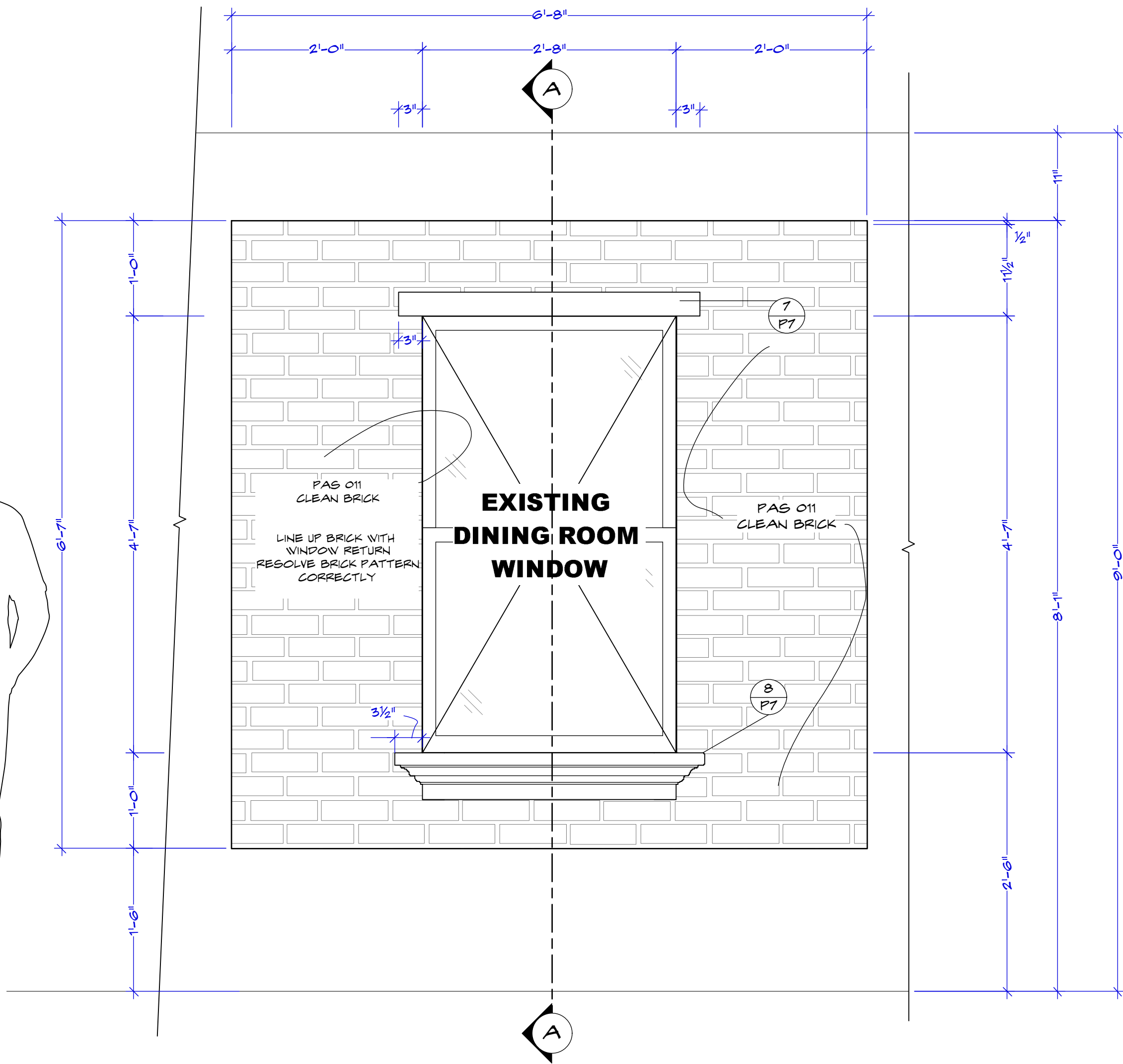
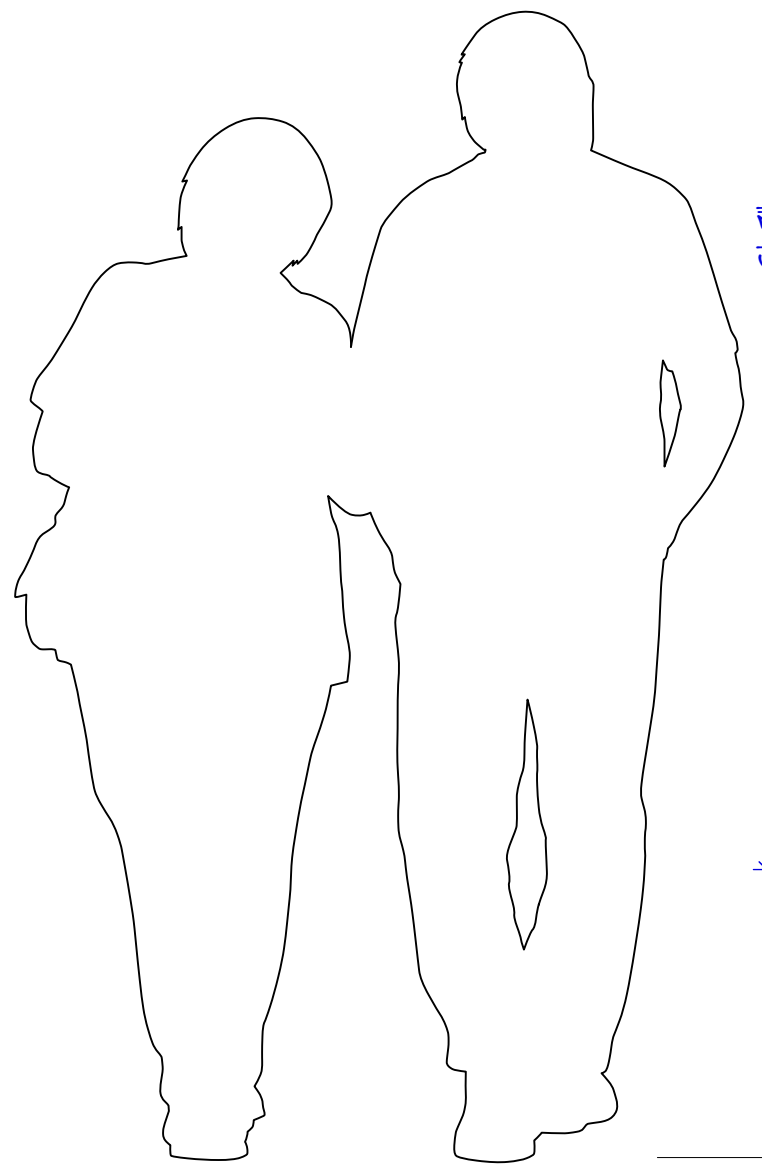
Drawing Date: **4/29/2019**
M. FAHRER
Sheet No.: **05/04/2019**
196-05



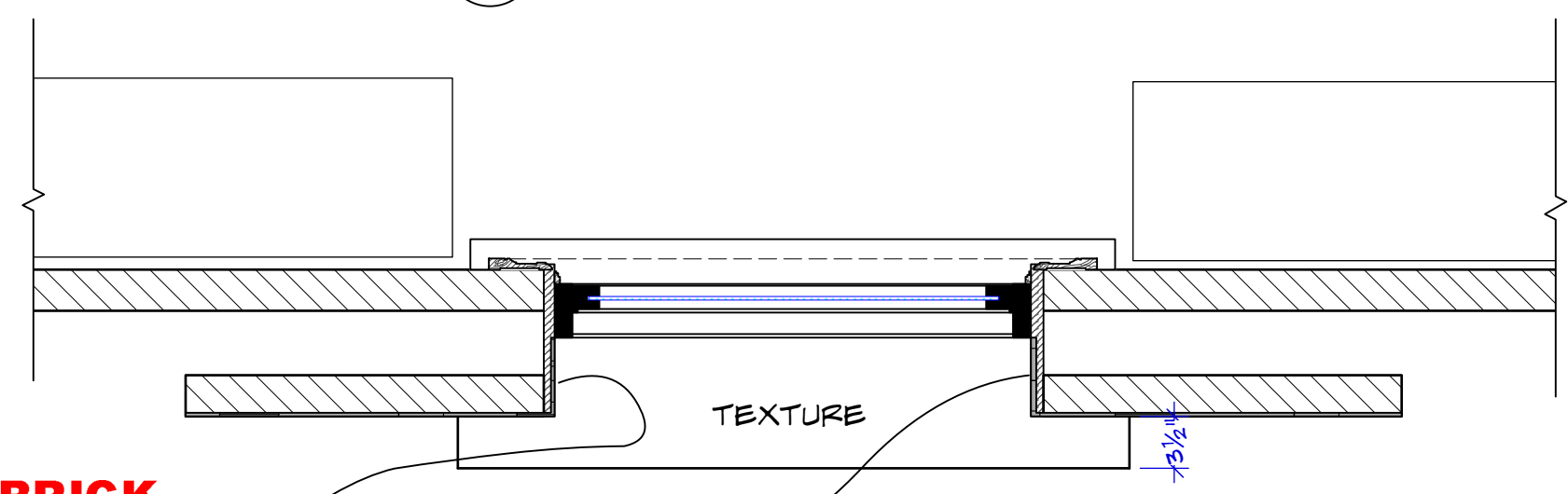
REFERENCE IMAGE 1



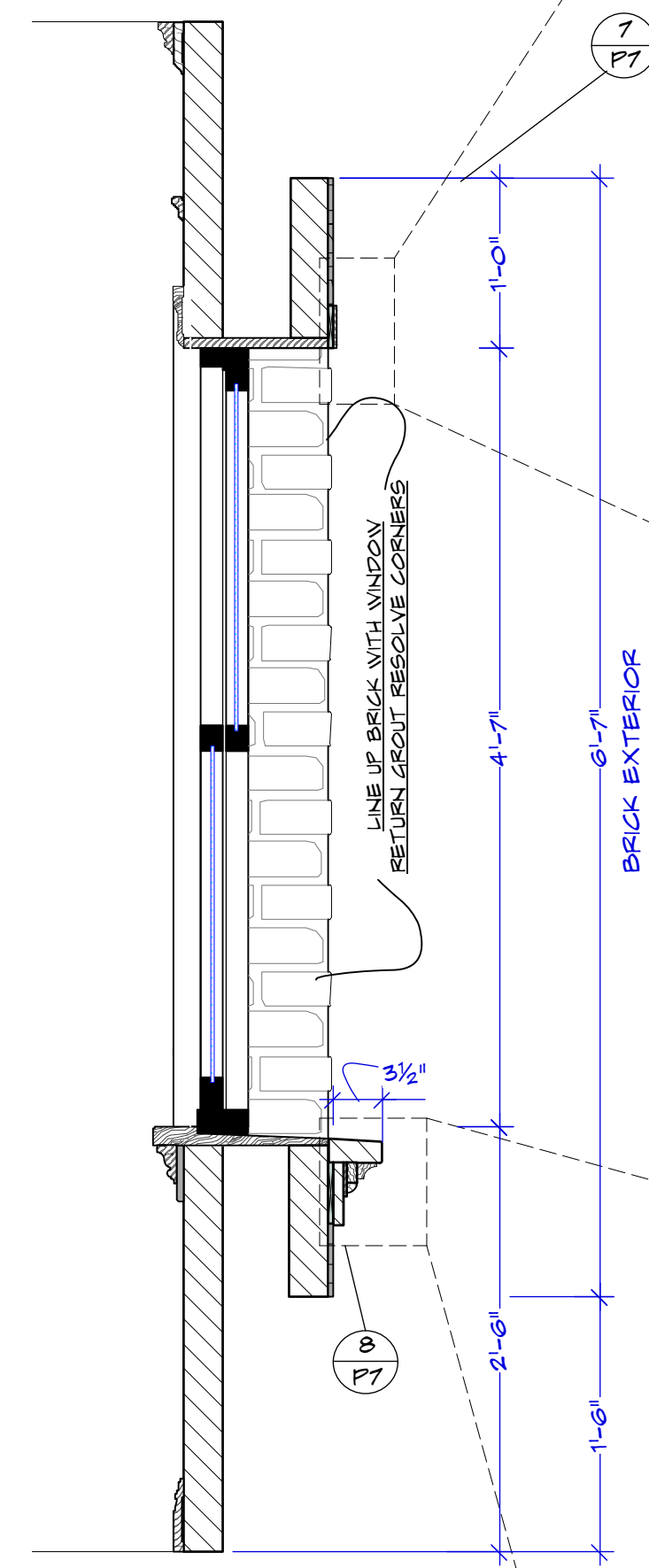
REFERENCE IMAGE 2



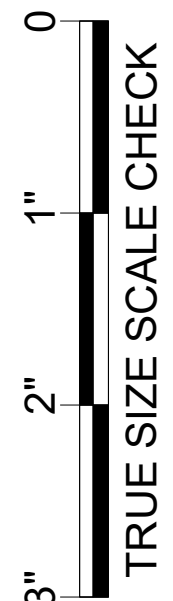
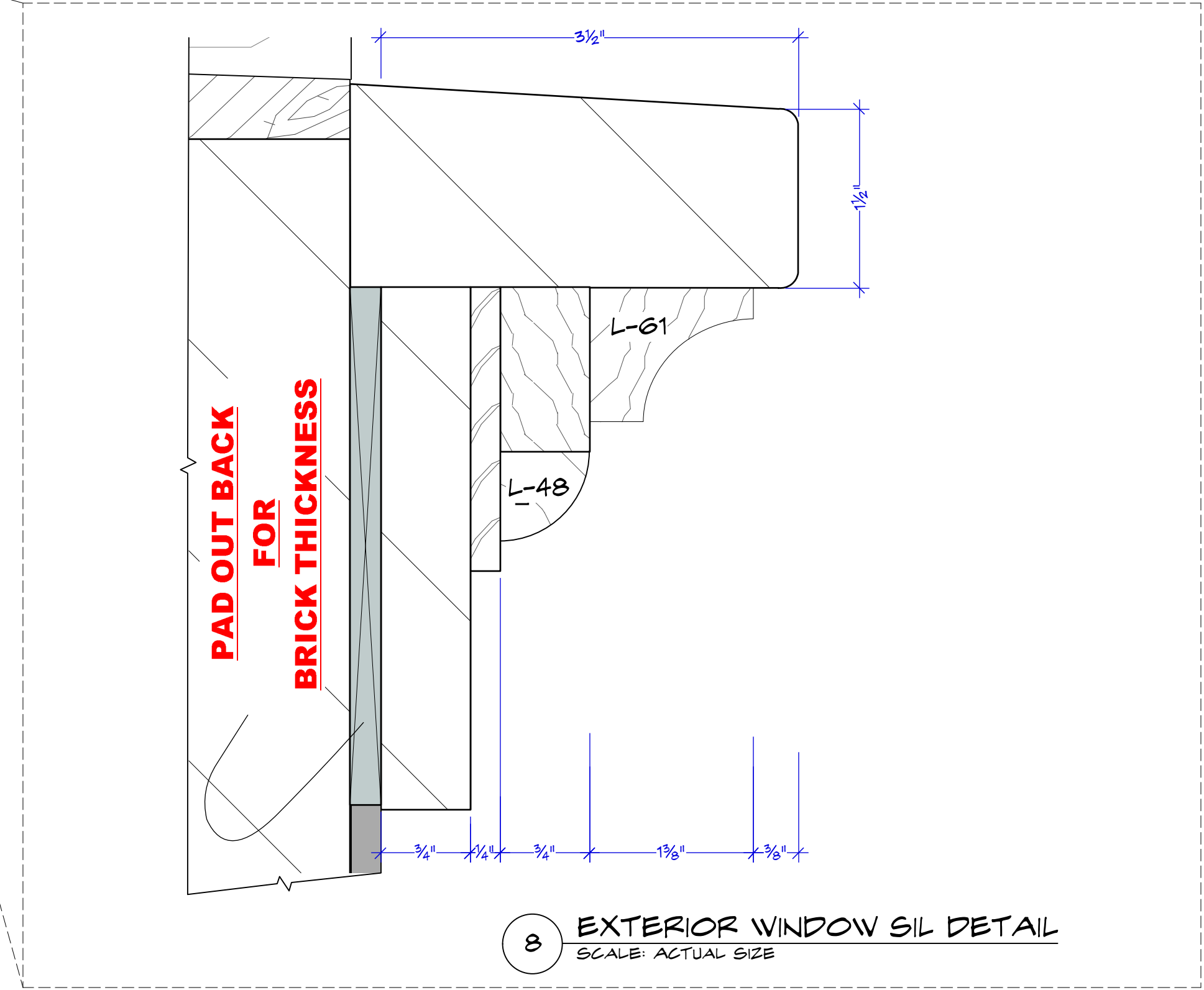
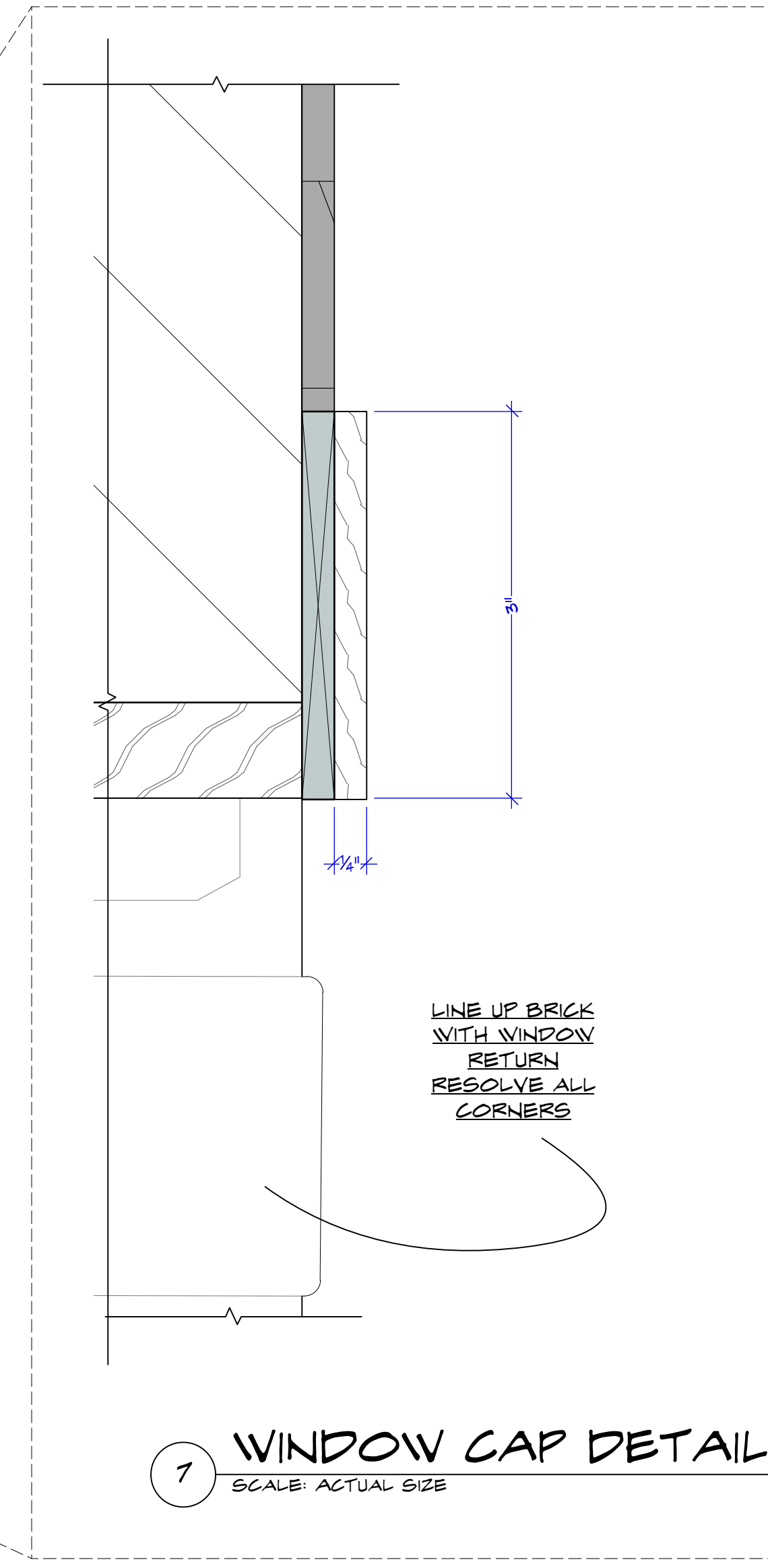
WINDOW EXTERIOR
SCALE: 1" = 1'-0"



WINDOW EXTERIOR PLAN
SCALE: 1" = 1'-0"



A-A SECTION A-A
SCALE: 1" = 1'-0"

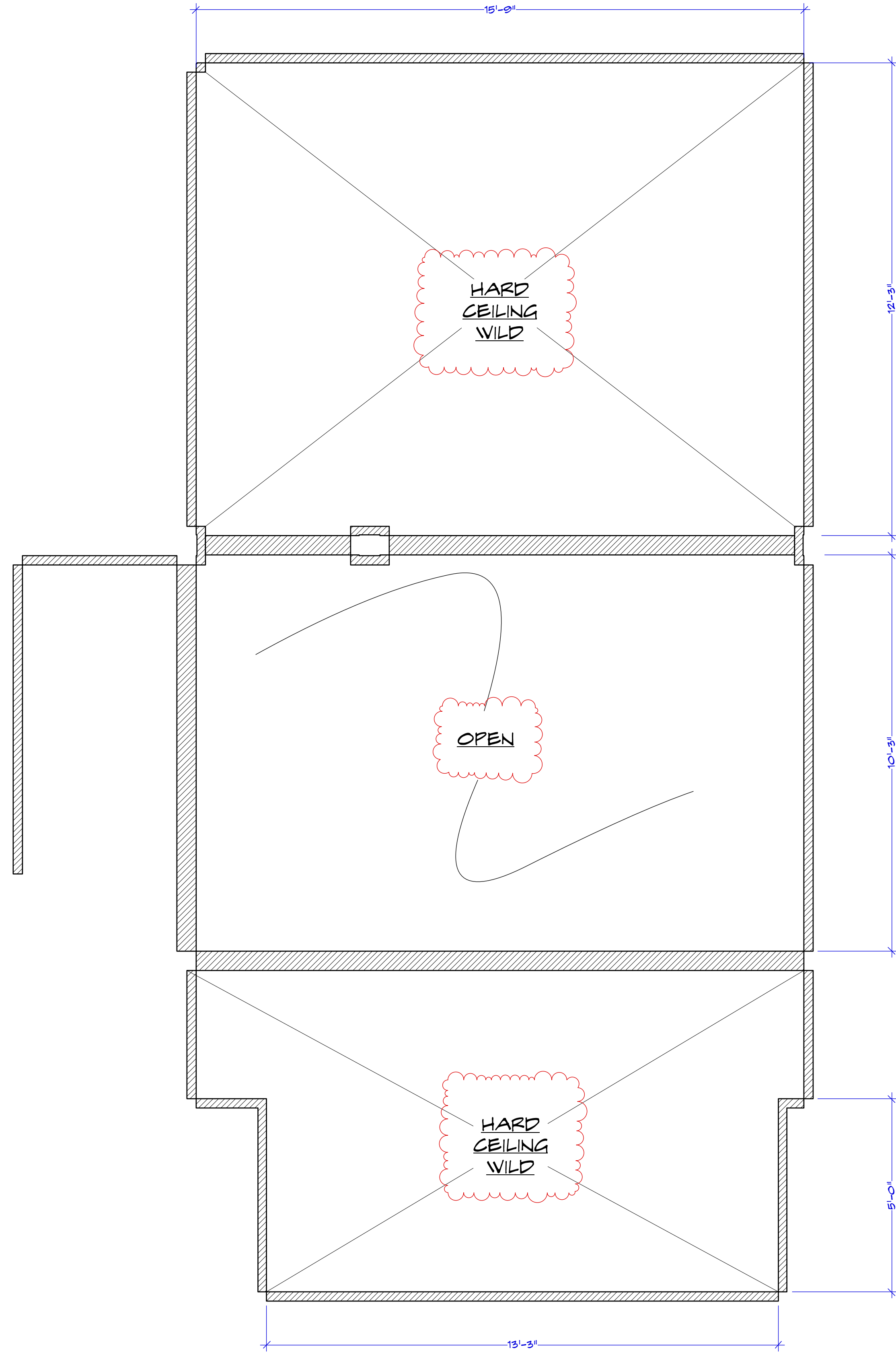


TRUE SIZE SCALE CHECK
103_196_Mindy Murray's Apt Elevations.wvx

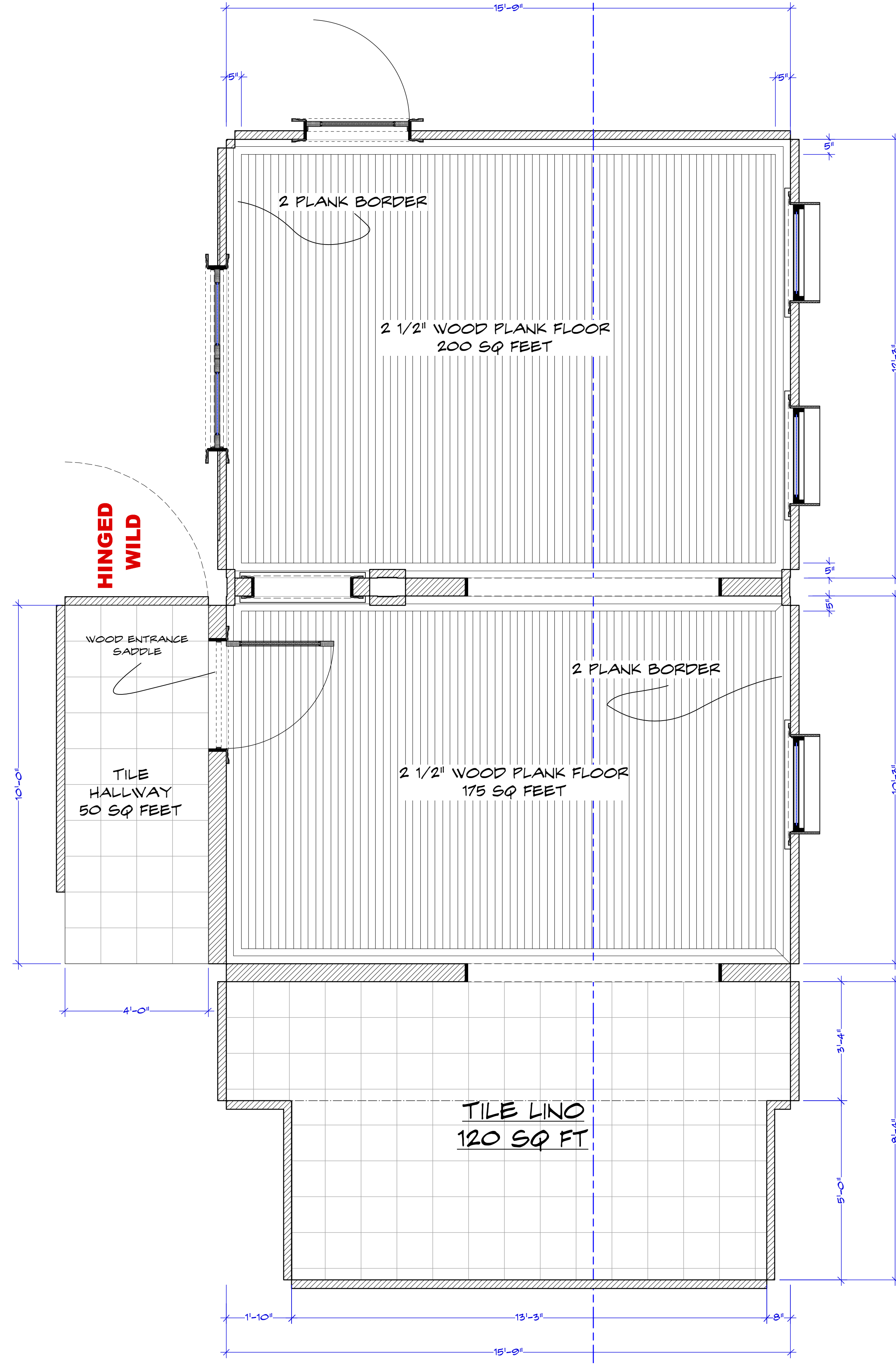


RELEASED 06/20/2019

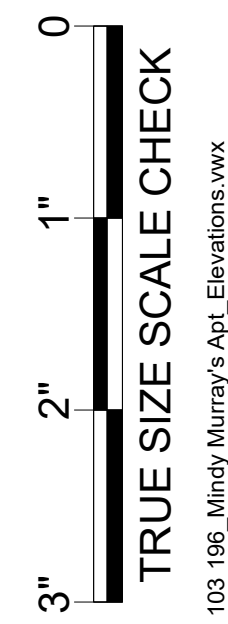
Episode: 106	Set Name & Description: MINDY MURRAY'S APARTMENT - WINDOW EXTERIOR	Exec Producer: NIKKI TOSCANO	Producer: JERRY KUPFER	Set Name & Description: MINDY MURRAY'S APARTMENT - WINDOW EXTERIOR	Episode: 106
Set #: 196	Director: VARIOUS	Line Producer: BILL SELL	UPM: BILL SELL	Director: VARIOUS	Set #: 196
Scale: NOTED	Location: STAGE 27	Address: STEINER STUDIO 15 WASHINGTON AVE	Art Director: MARCI MUDD	Location: STAGE 27	Scale: NOTED
		Prod. Designer: CURT BEECH	Const. Coordinator: NILES NORTON		
		Set Decorator: SUSAN MARSHAL			
				Drawing Date: 6/20/2019	Drawn By: M. FAHRER
				Shoot Date: 06/25/2019	Sheet No.: 196-07



RF REFLECTED CEILING
SCALE: 1/2" = 1'-0"



FL FLOOR LAYOUT
SCALE: 1/2" = 1'-0"



TRUE SIZE SCALE CHECK

103_196_Mindy Murray's Apt. Elevations.vwx



Exec Producer: NIKKI TOSCANO
Line Producer: BILL SELL
Address: STEINER STUDIO 15 WASHINGTON AVE
Prod. Designer: CURT BEECH
Set Decorator: SUSAN MARSHAL

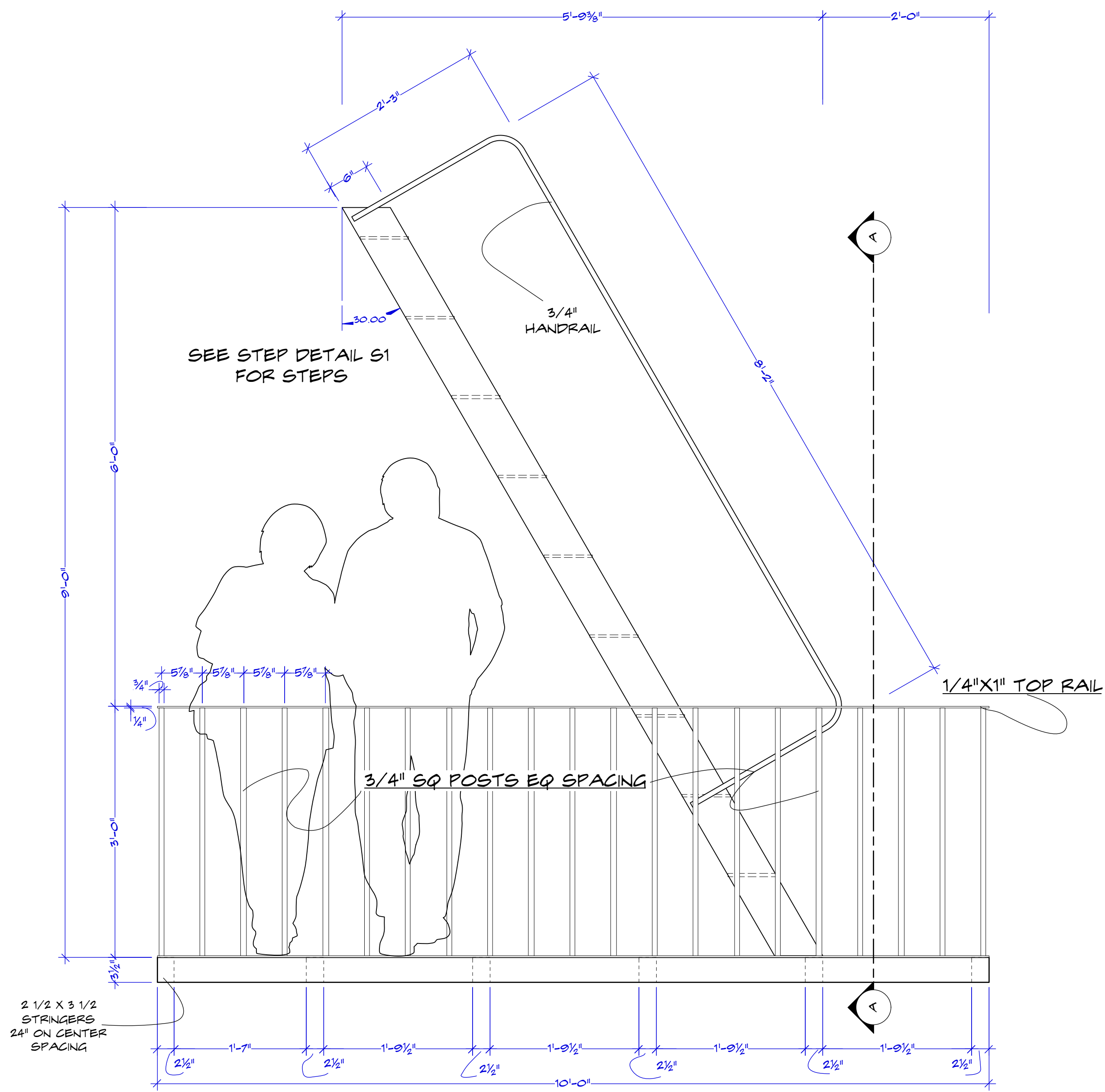
Producer: JERRY KUPFER
UPM: BILL SELL
Art Director: MARCI MUDD
Constr. Coordinator: NILES NORTON

Set Name & Description: MINDY MURRAY'S APARTMENT - CEILING / FLOOR
Director: VARIOUS
Location: STAGE 27

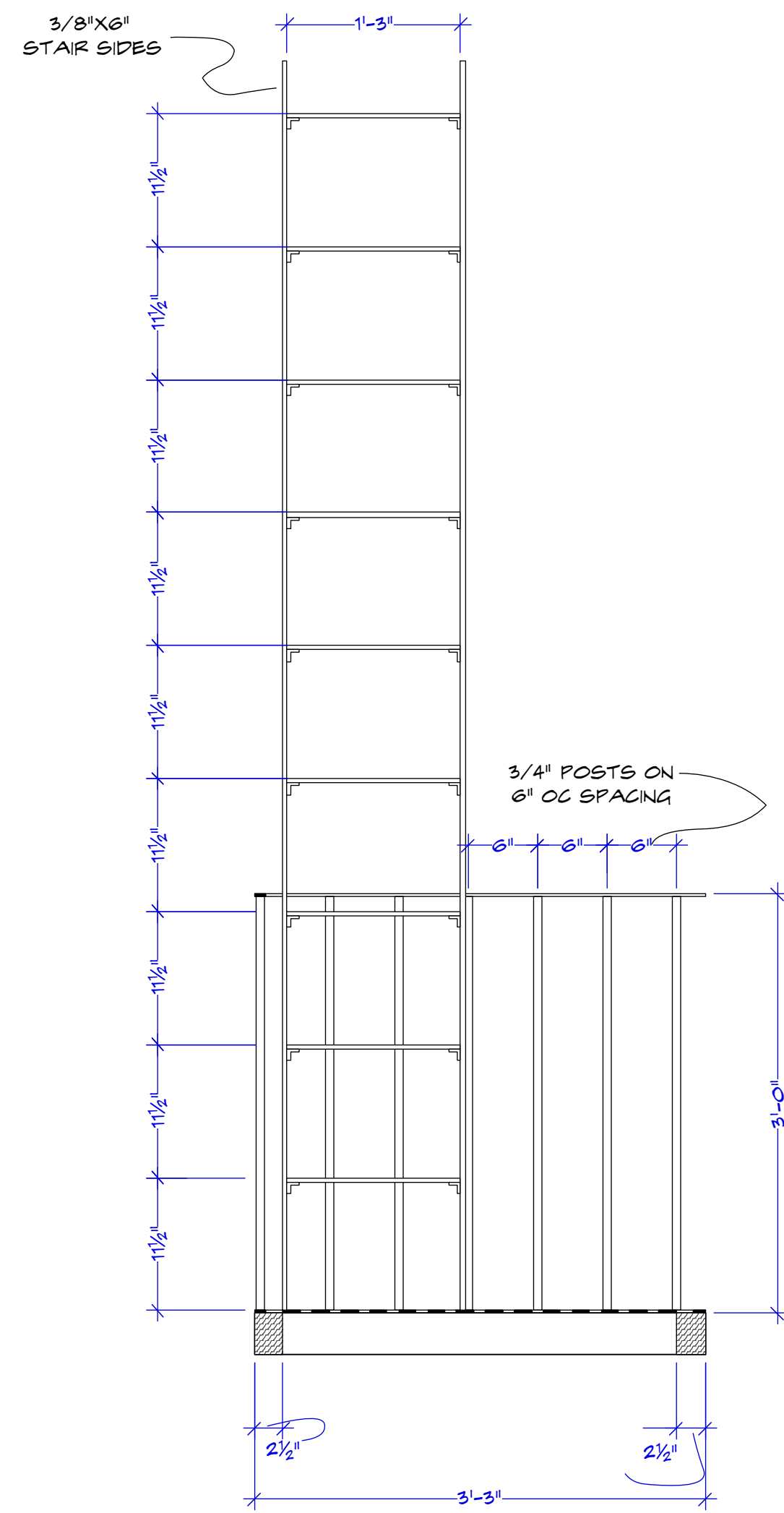
Episode: 103
Set #: 196
Scale: 1/2" = 1'-0"

Drawing Date: 5/6/2019
Drawn By: M. FAHRER
Shoot Date: 05/04/2019
Sheet No.: 196-06

REVISED CEILING LAYOUT
REVISED 05/6/2019



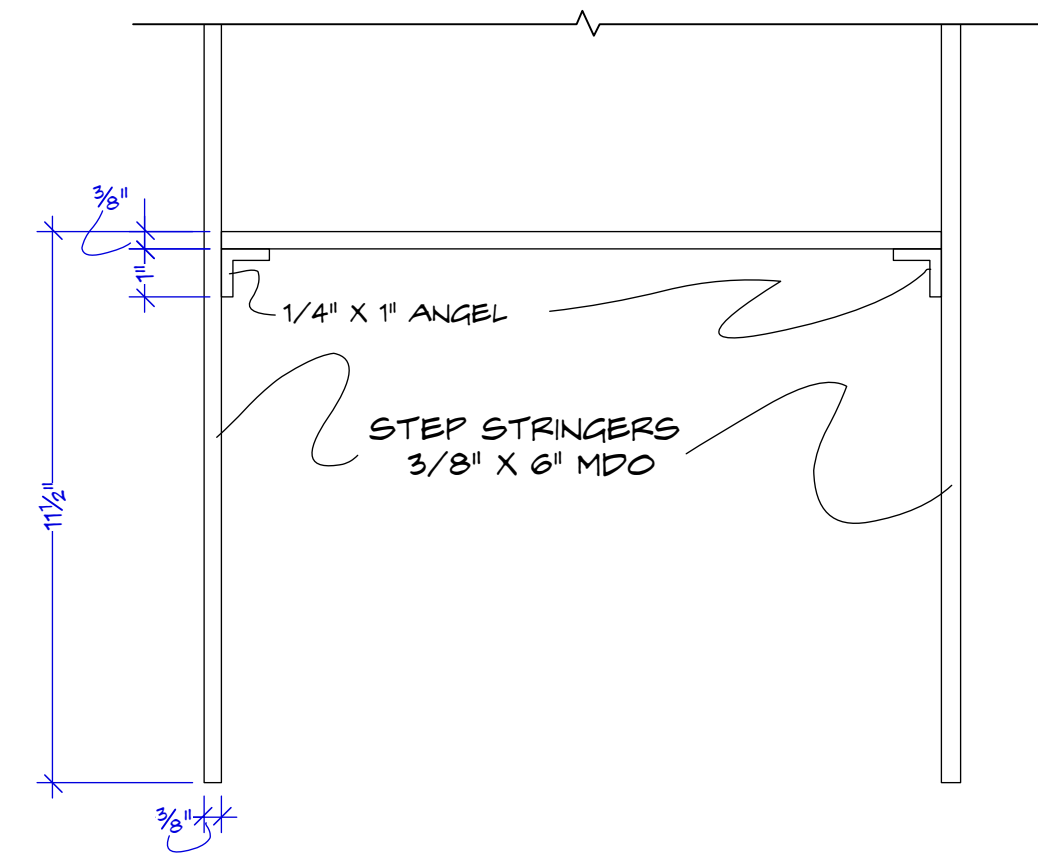
FIRE ESCAPE FRONT
SCALE: 1" = 1'-0"



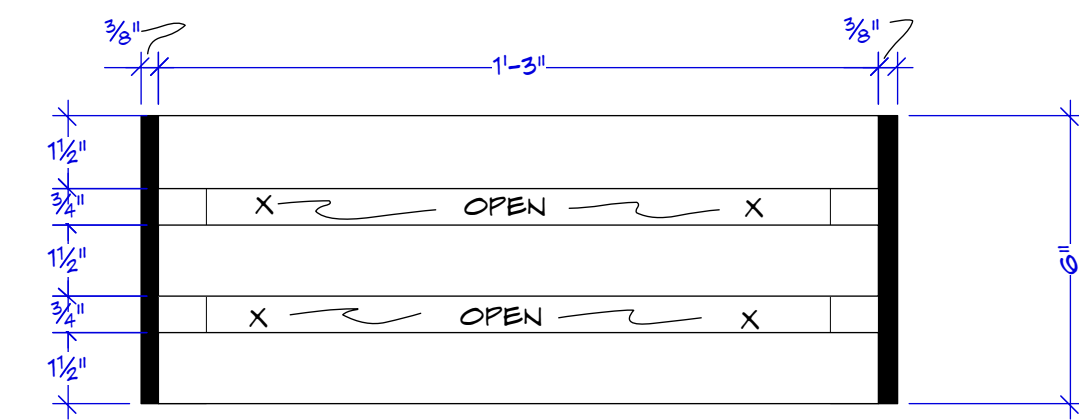
A-A FIRE ESCAPE SECTION A-A
SCALE: 1" = 1'-0"



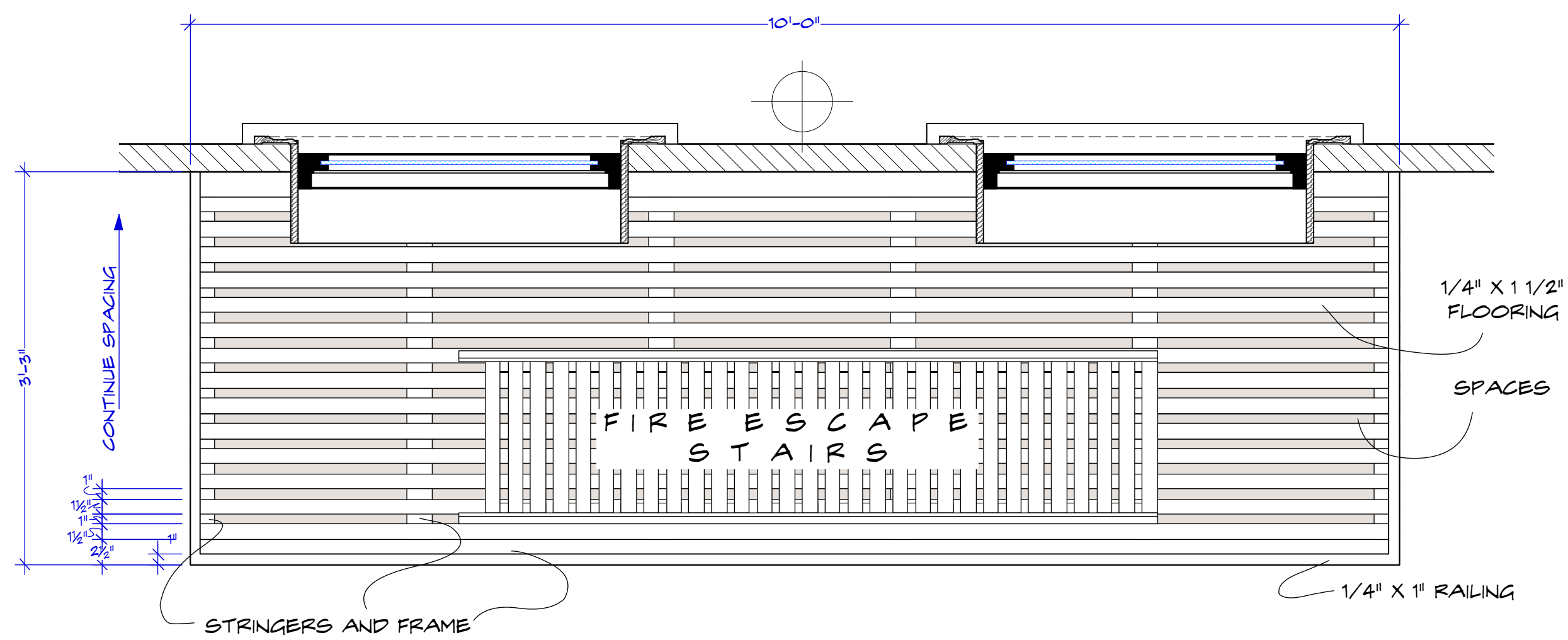
REFERENCE IMAGE



S1 STEP FRONT
SCALE: 3" = 1'-0"

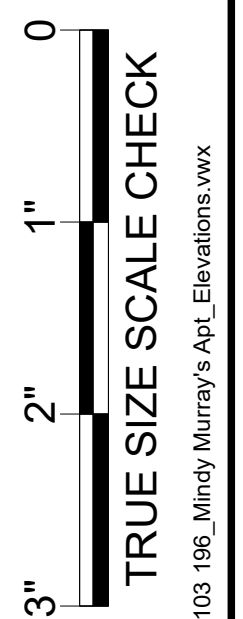


S1 STEP TOP
SCALE: 3" = 1'-0"



FIRE ESCAPE PLAN
SCALE: 1" = 1'-0"

**BUILD TEXTURE AND PAINT
TO MATCH
EXISTING FIRE ESCAPE**

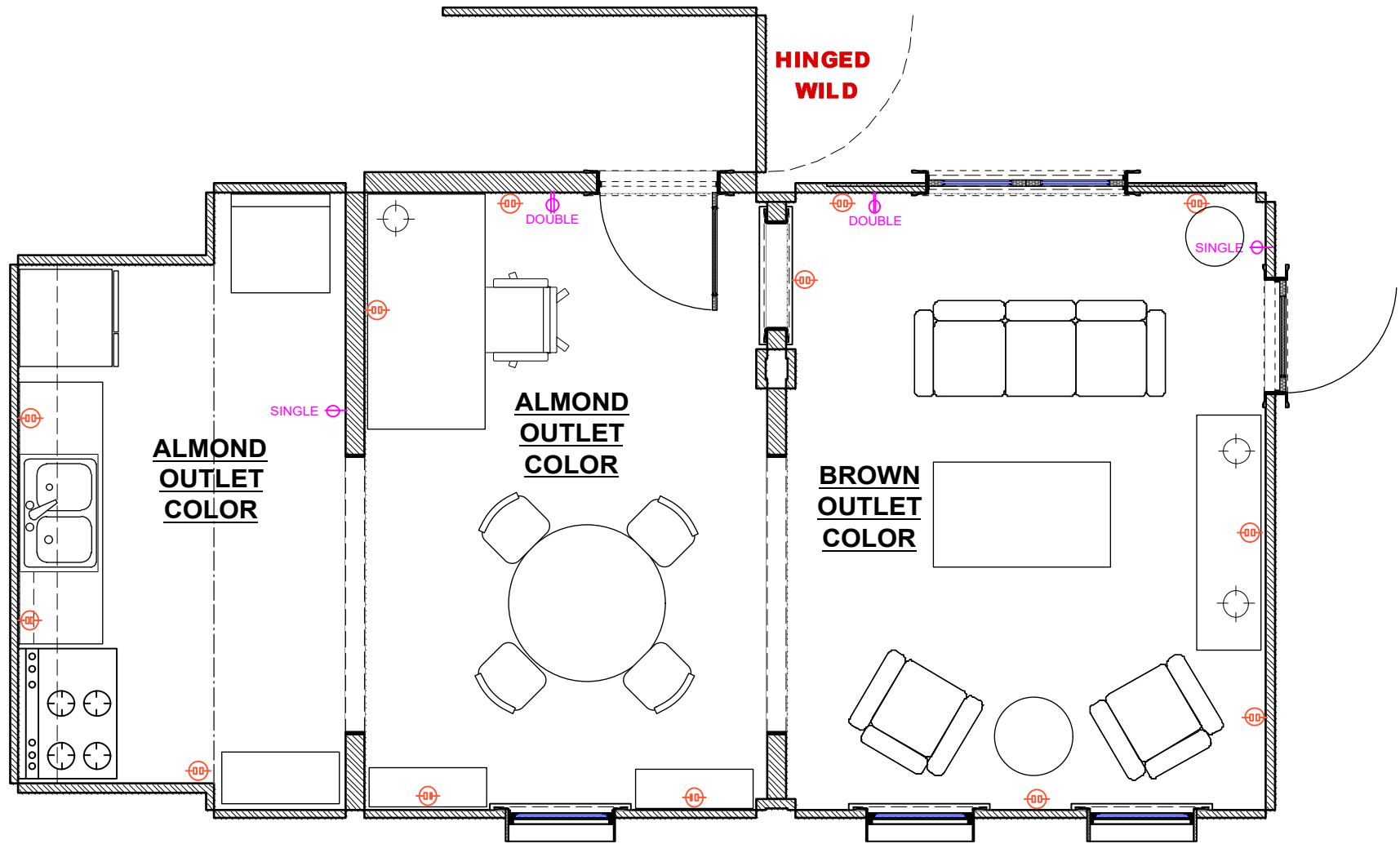


TRUE SIZE SCALE CHECK
103_196_Mindy Murray's Apt_ Elevations.wvx






EPISODE 107 **RELEASED 07/18/2019**

Set Name & Description:	Episode:	Drawn By:
MINDY MURRAY'S APARTMENT - FIRE ESCAPE	107	M. FAHRER
Director: VARIOUS	Set #:	Shot Date:
Location: STAGE 27	196	07/24/2019
Producer: JERRY KUPFER	Scale:	Sheet No.:
UPM: BILL SELL		196-08
Art Director: MARCI MUDD		
Const. Coordinator: NILES NORTON		
Exec Producer: NIKKI TOSCANO		
Line Producer: BILL SELL		
Address: STEINER STUDIO 15 WASHINGTON AVE		
Prod. Designer: CURT BEECH		
Set Decorator: SUSAN MARSHAL		




MINDY MURRAY OUTLET PLAN
 SCALE: 1/4" = 1'-0"

KEY	
	SINGLE SWITCH
	DOUBLE SWITCH
	OUTLET



PROD. DESIGNER: CURT BEECH ART DIRECTOR: MARCI MUDD	DRAWING: OUTLET LAYOUT	SHOOT DATE: 5/3/2019	SET #: 196	DATE DRAWN: 5/22/2019	MINDY MURRAY'S APT
DRAWING BY: M. FAHRER	LOCATION: STAGE 27	SCALE: 1/4"=1'-0"	SCENE #: XX	REVISED: XX	