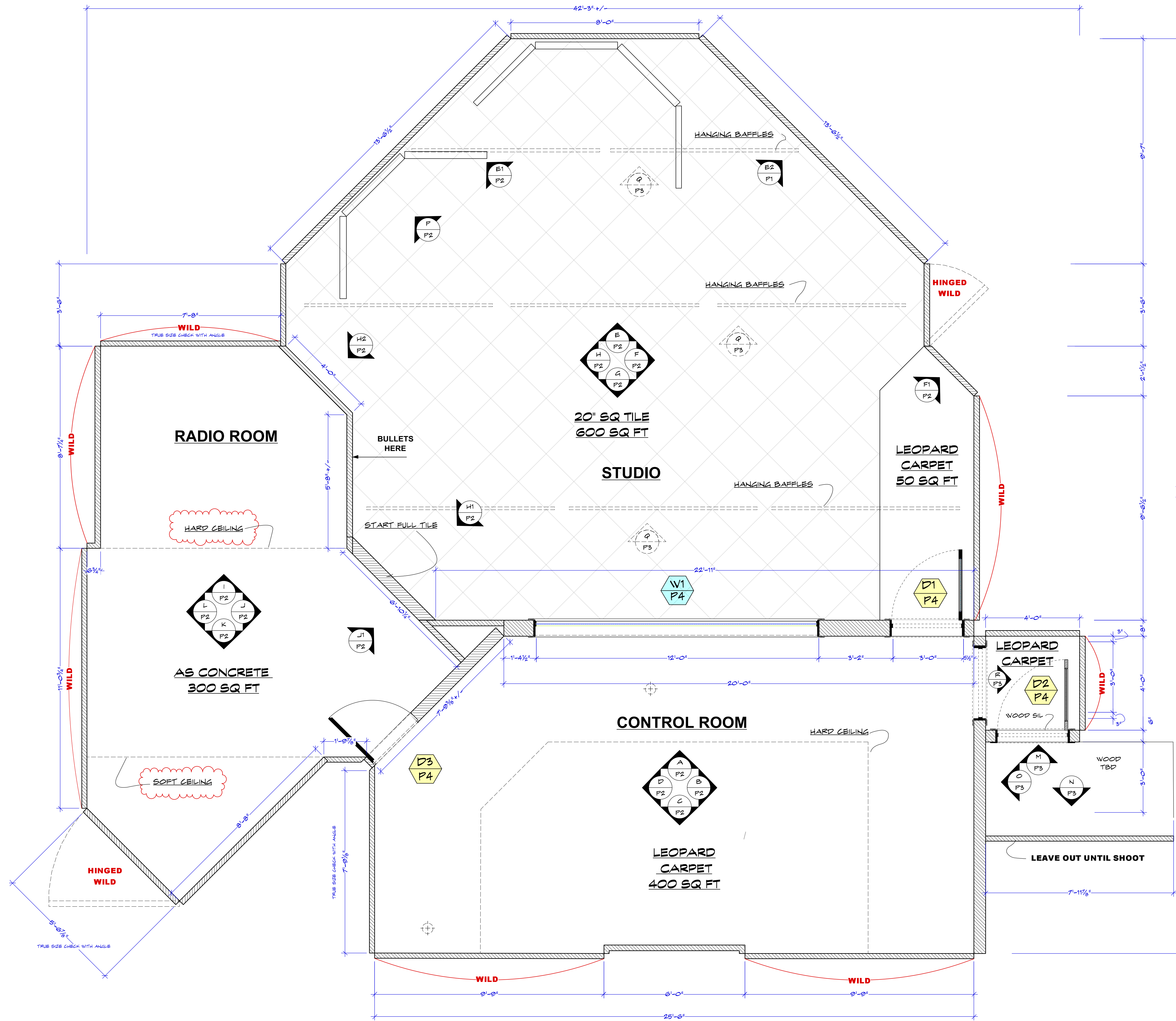
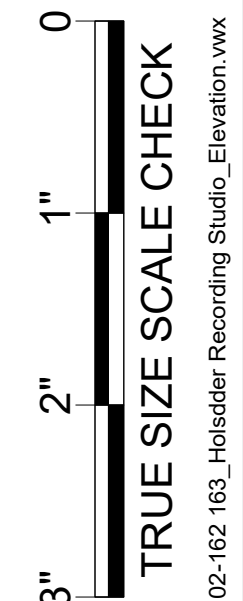


DOOR SCHEDULE

DOOR NUMBER	D1	D2	D3
QTY	1	1	1
TYPE	ENTRANCE	ENTRANCE	SECRET RM
ELEVATION			
DOOR OPENING SIZE	36 X 80	36 X 80	30 3/8 X 80
DOOR MATERIAL	WOOD	WOOD	WOOD
FINISH	STAIN	STAIN	STAIN
DETAIL SHEET	4	4	4
HARDWARE STYLE			
ENTRY	X	X	
PRIVACY			X
PASSAGE			
DUMMY			
HARDWARE FINISH	PER SET DEC	PER SET DEC	PER SET DEC
HINGE QTY	3	3	3
THRESHOLD		WOOD	



RECORDING STUDIO DIRECTORS PLAN
SCALE: 1/2" = 1'-0"



TRUE SIZE SCALE CHECK
102-182-183_Holstetter Recording Studio_Elevation.vwx

REVISED:
ADDED WILD WALLS
ADDED CEILING TO RADIO ROOM

REVISED 04/15/2019

Episode:	102
Set #:	162-183
Scale:	1/2"=1'-0"

Set Name & Description:	HOLSTEDDER RECORDING STUDIO TECHNICAL PLAN
Director:	VARIOUS
Location:	STAGE 27

Exec Producer:	NIKKI TOSCANO
Line Producer:	BILL SELL
Address:	STEINER STUDIO 15 WASHINGTON AVE
Prod. Designer:	CURT BEECH
Set Decorator:	SUSAN MARSHAL
Producer:	JERRY KUPFER
UPM:	BILL SELL
Address:	STEINER STUDIO 15 WASHINGTON AVE
Art Director:	MARCO MUDD
Const. Coordinator:	NILES NORTON

Drawn by: **M. FAHRER**
4/23/2019
Sheet No.: **162-01**
Shoot Date: 04/30/2019

REVISED 4/17/2019

Episode: 102 Set #: 162-163 Scale: NOTED

Drawn by: M. FAHRER Shot Date: 04/30/2019 Sheet No.: 162-02

HOLSTEDDER RECORDING STUDIO ELEVATIONS

Director: VARIOUS Location: STAGE 27

Exec Producer: NIKKI TOSCANO Producer: JERRY KUPFER

Line Producer: BILL SELL UPM: BILL SELL

Address: STAINER STUDIO 15 WASHINGTON AVE

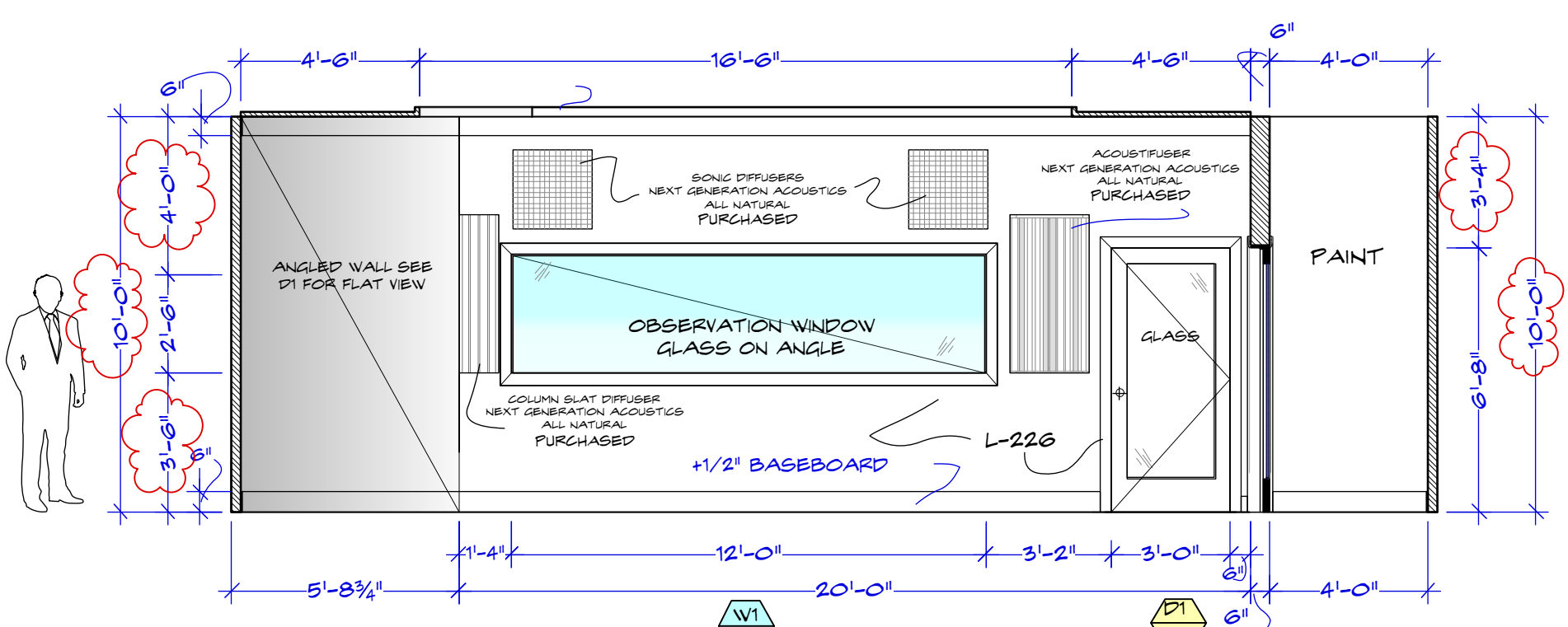
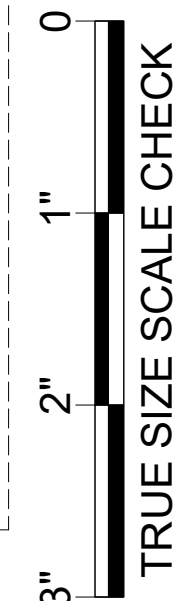
Prod. Designer: CURT BEECH

AT Director: MARCI MUDD

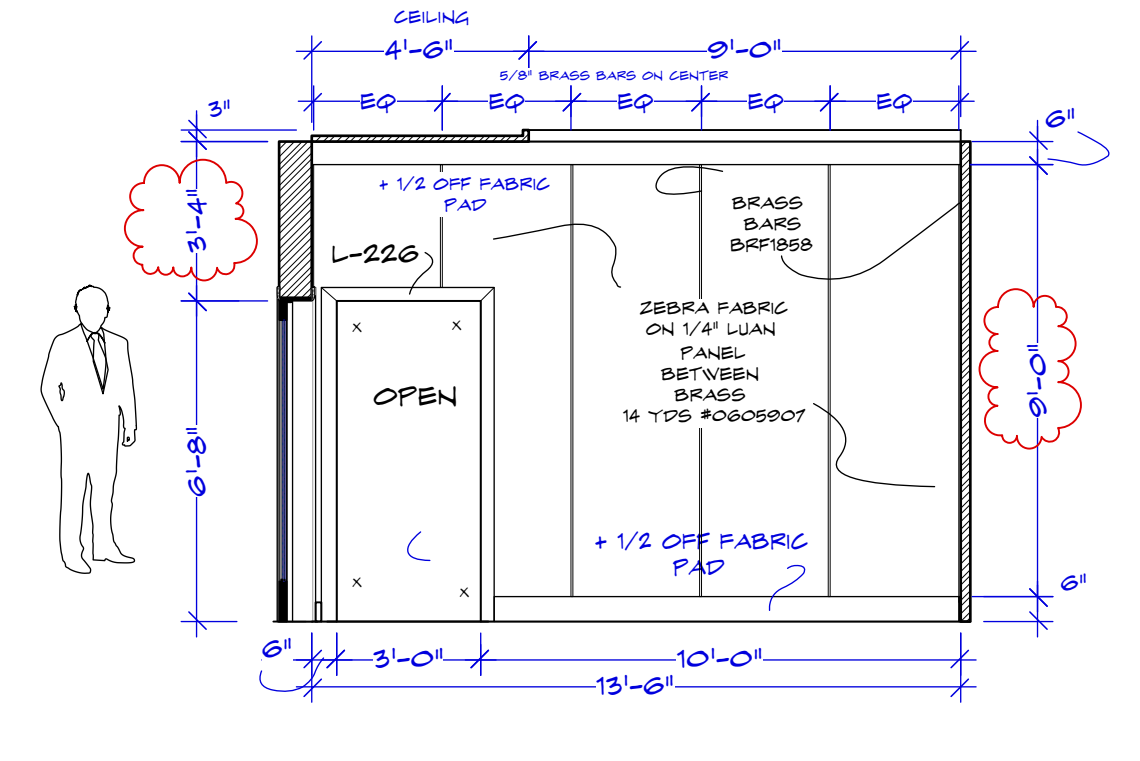
Const. Coordinator: NILES NORTON



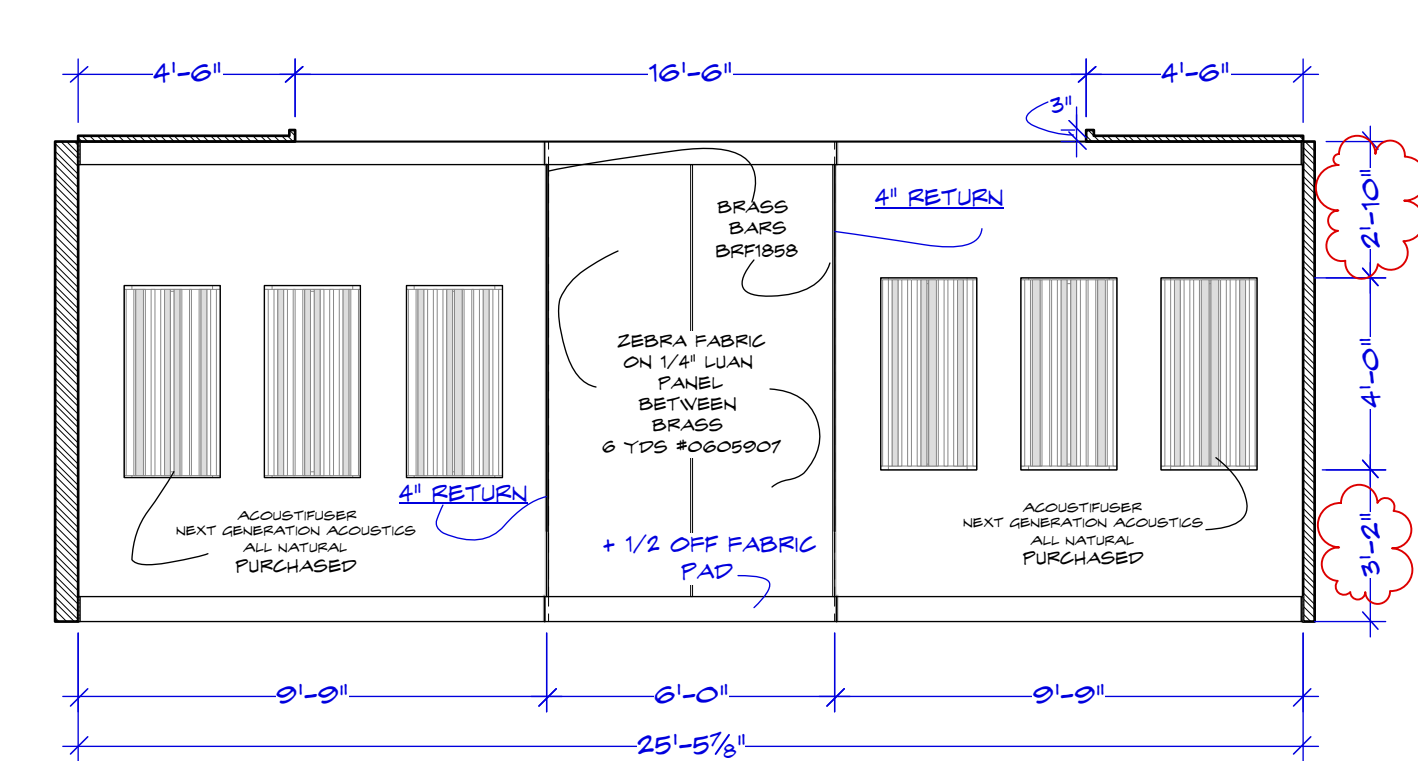
TRUE SIZE SCALE CHECK



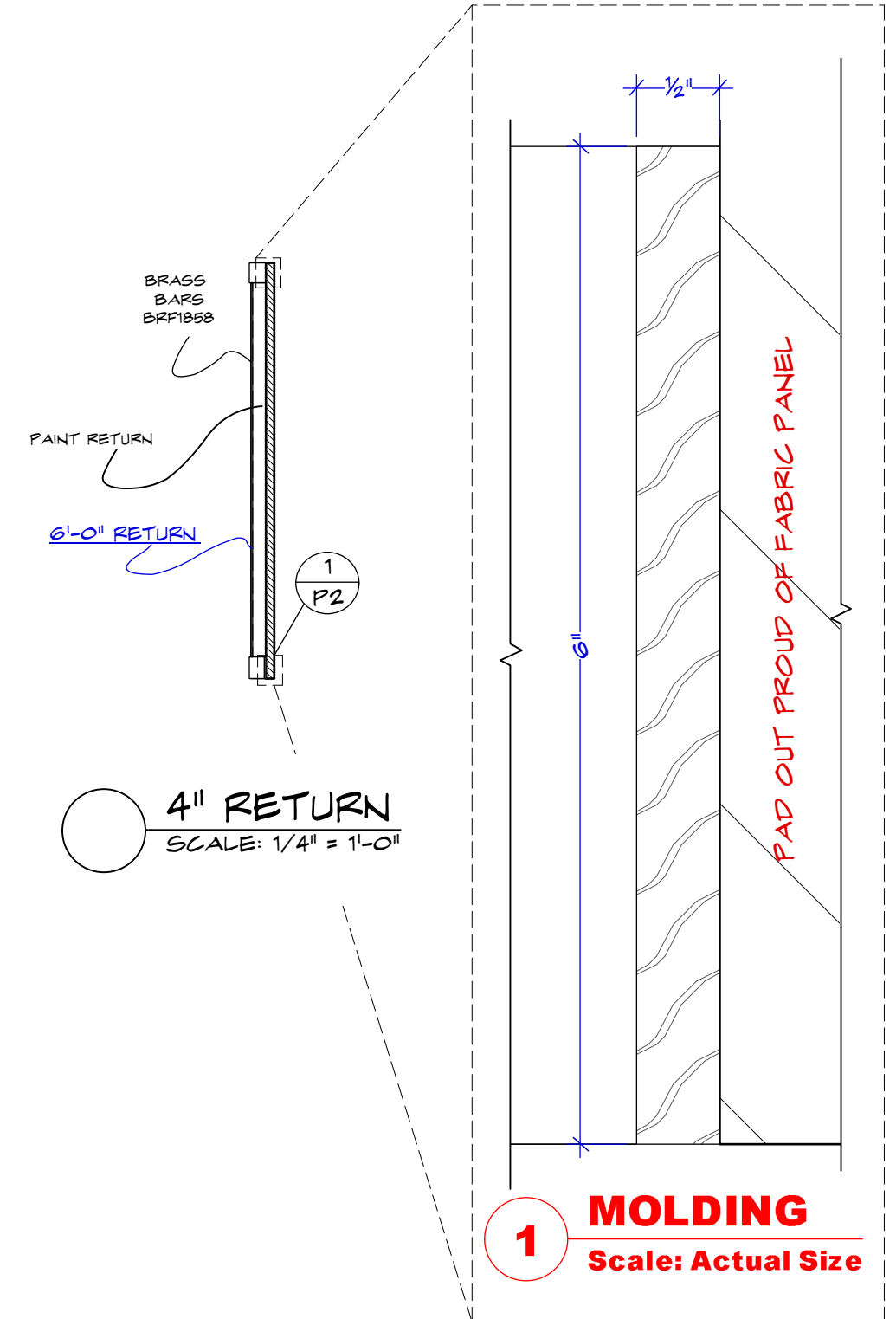
A CONTROL RM WALL A SCALE: 1/4" = 1'-0"



B CONTROL ROOM WALL B SCALE: 1/4" = 1'-0"

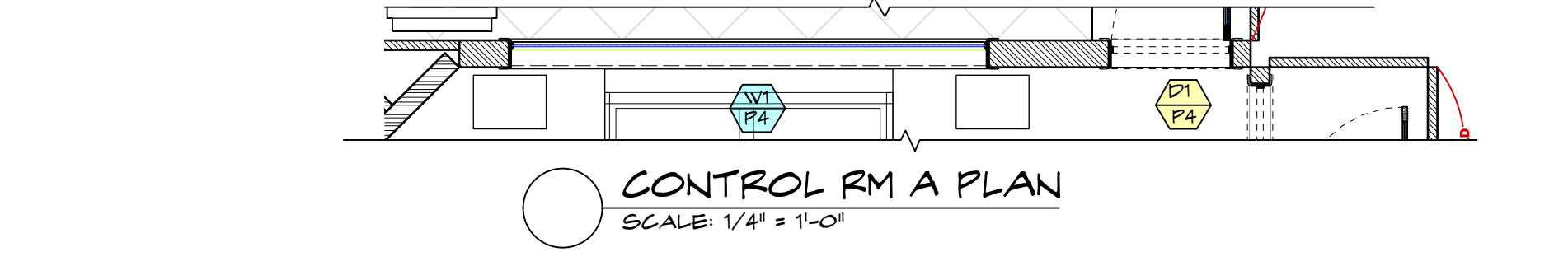


C CONTROL ROOM WALL C SCALE: 1/4" = 1'-0"

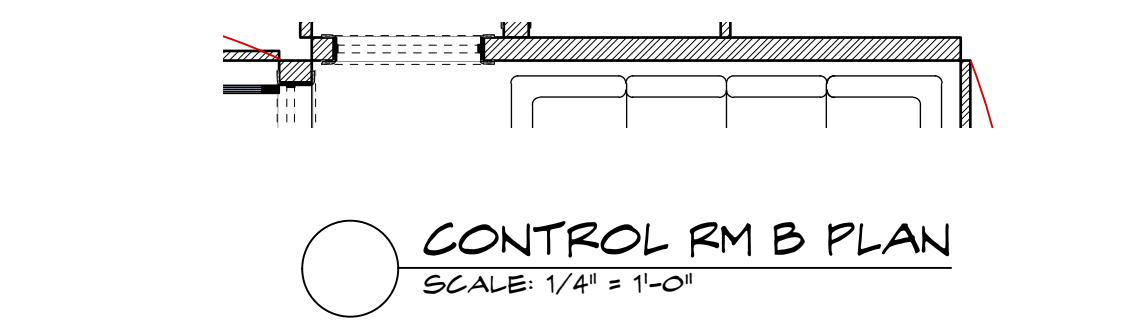


1 MOLDING Scale: Actual Size

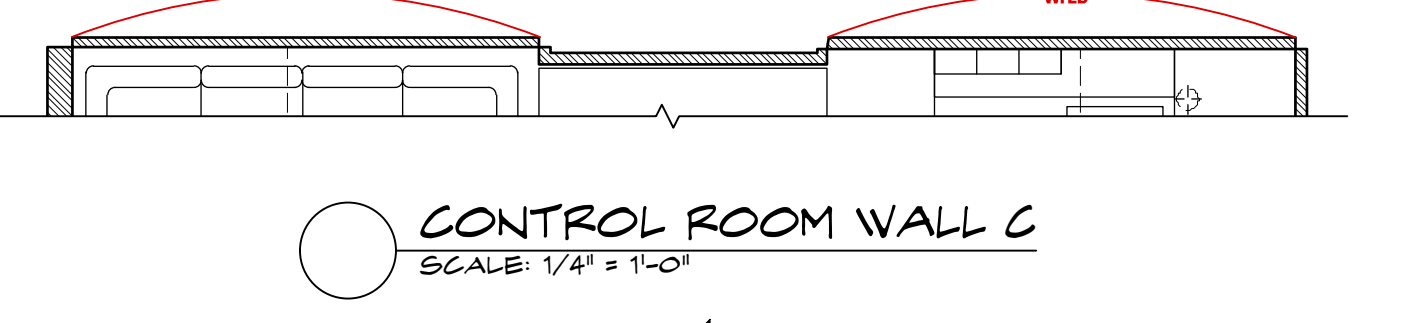
NOTE: BRASS ROD 1/8 X 5/8 12' LENGTH METALS DEPOT 1-859-745-2650



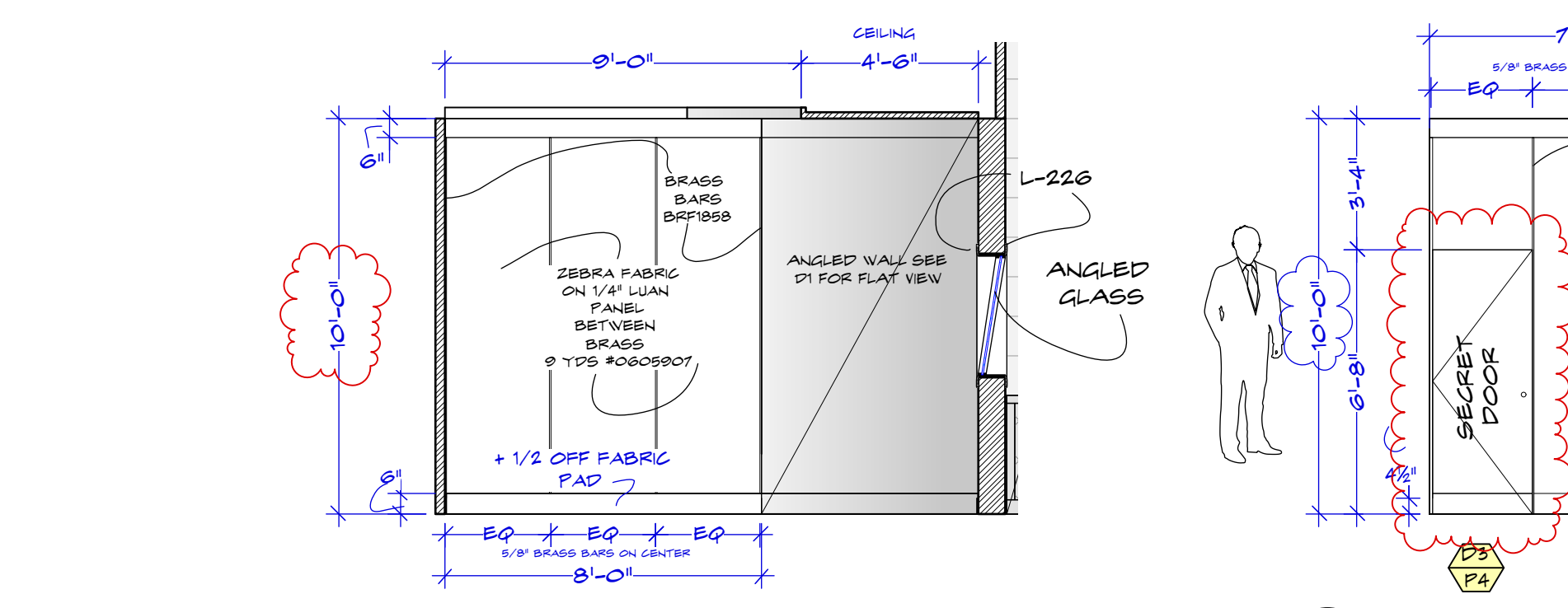
CONTROL RM A PLAN SCALE: 1/4" = 1'-0"



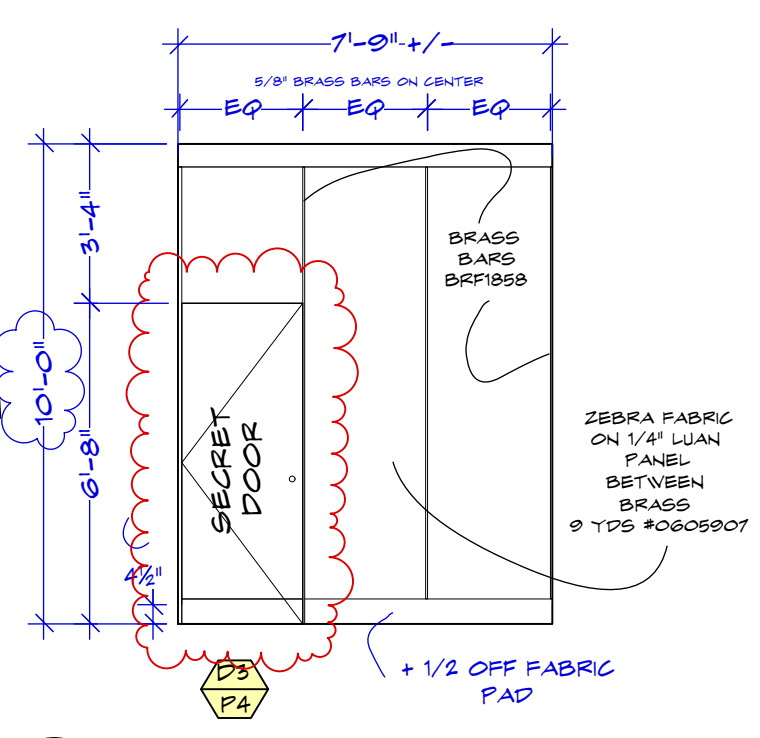
CONTROL RM B PLAN SCALE: 1/4" = 1'-0"



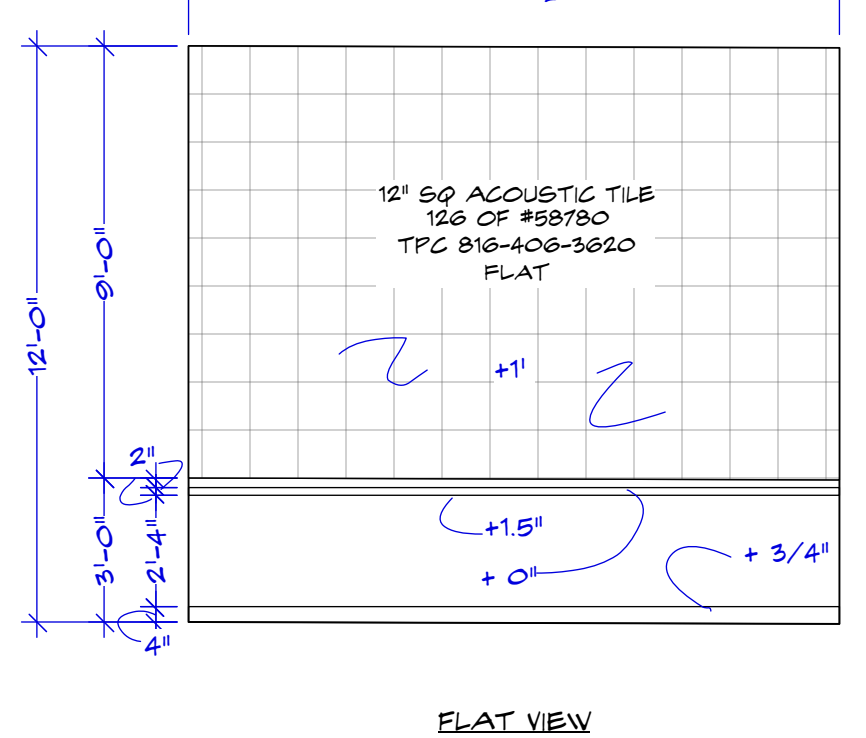
CONTROL ROOM WALL C SCALE: 1/4" = 1'-0"



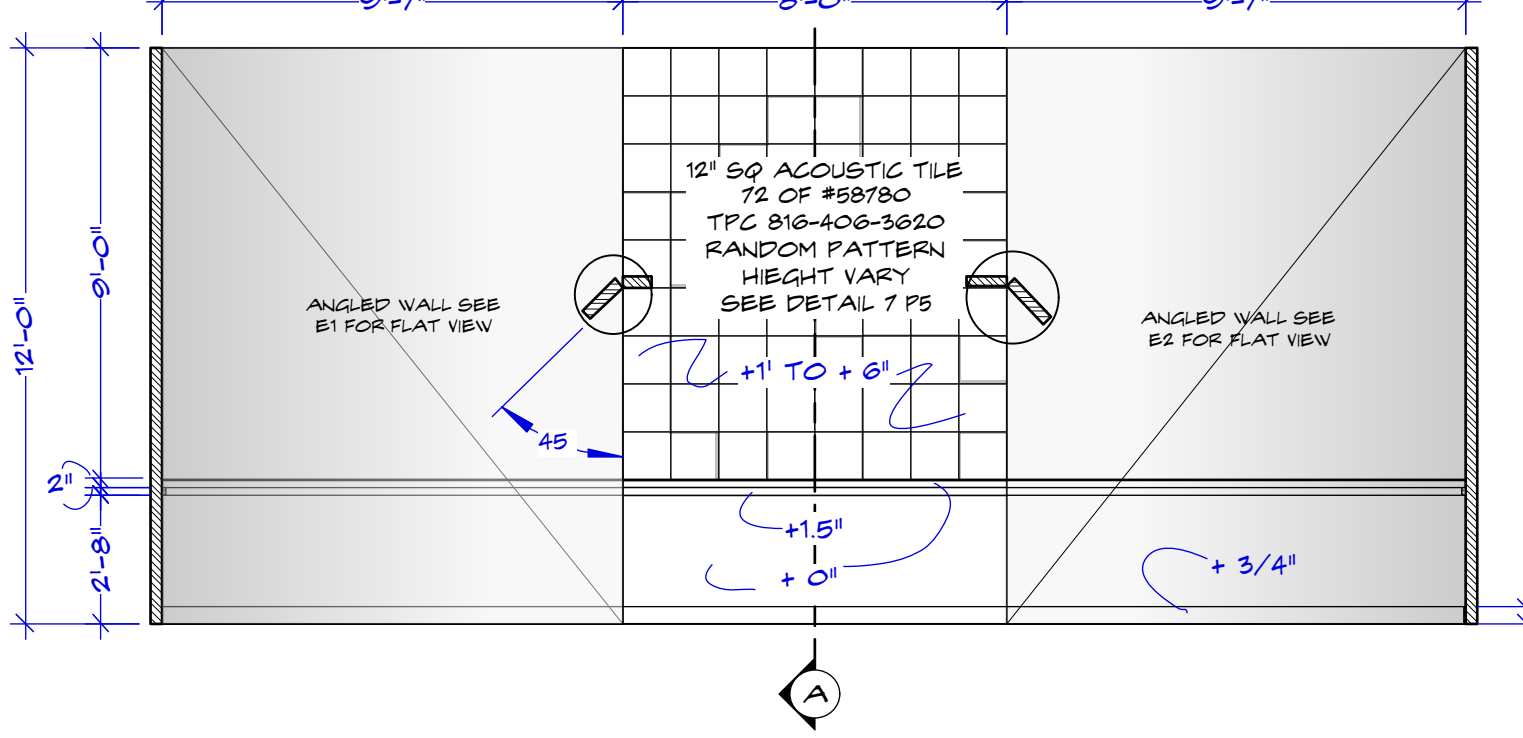
D CONTROL ROOM WALL D SCALE: 1/4" = 1'-0"



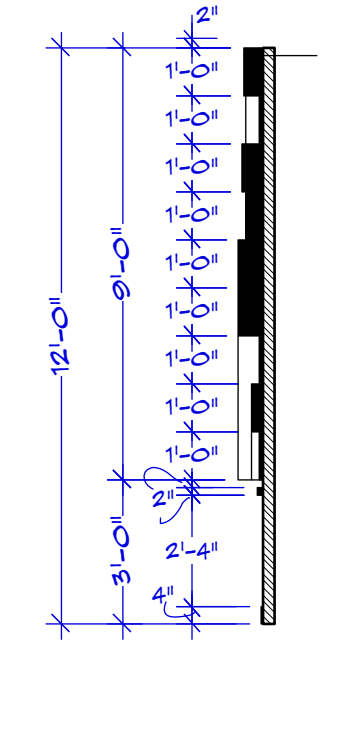
D1 ANGLE WALL FLAT VIEW SCALE: 1/4" = 1'-0"



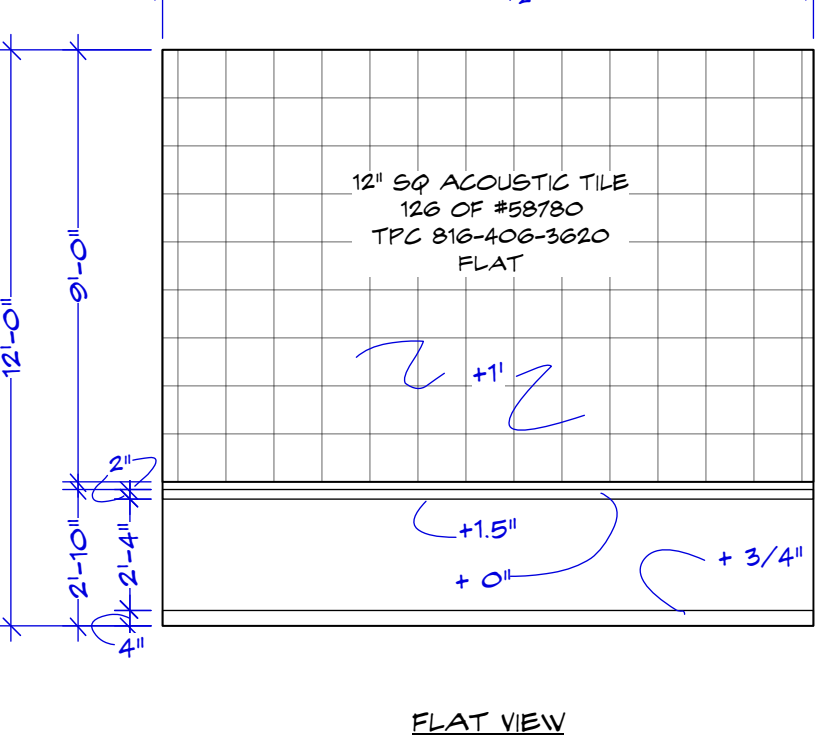
E1 FLATTENED SCALE: 1/4" = 1'-0"



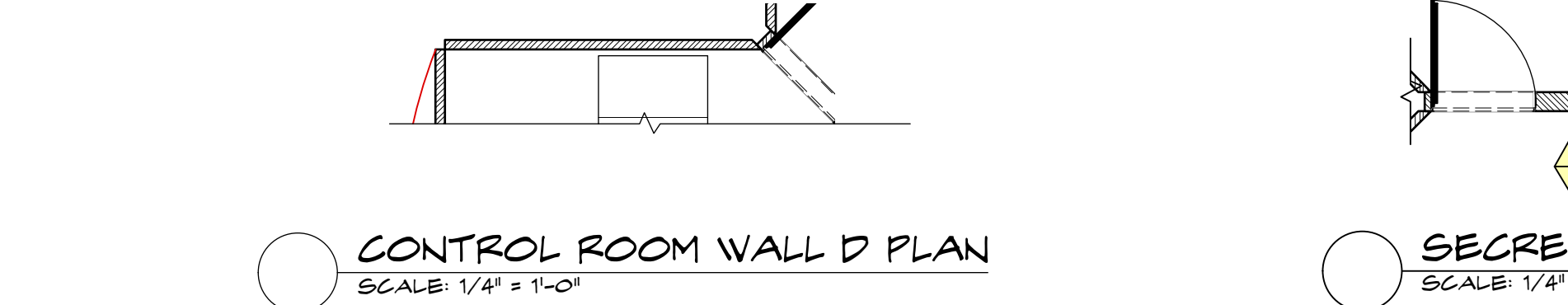
E STUDIO WALL E SCALE: 1/4" = 1'-0"



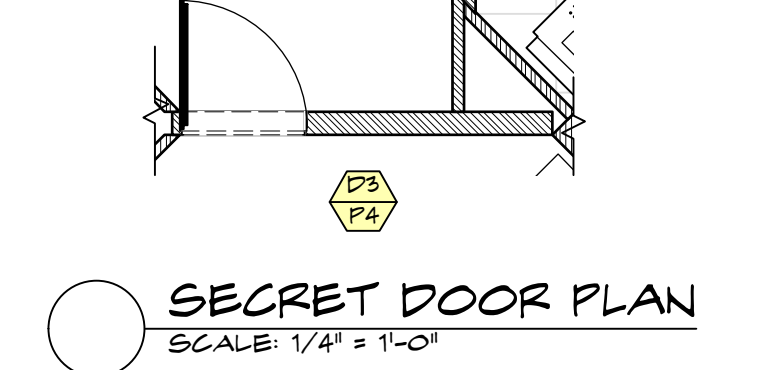
A-A SECTION A-A SCALE: 1/4" = 1'-0"



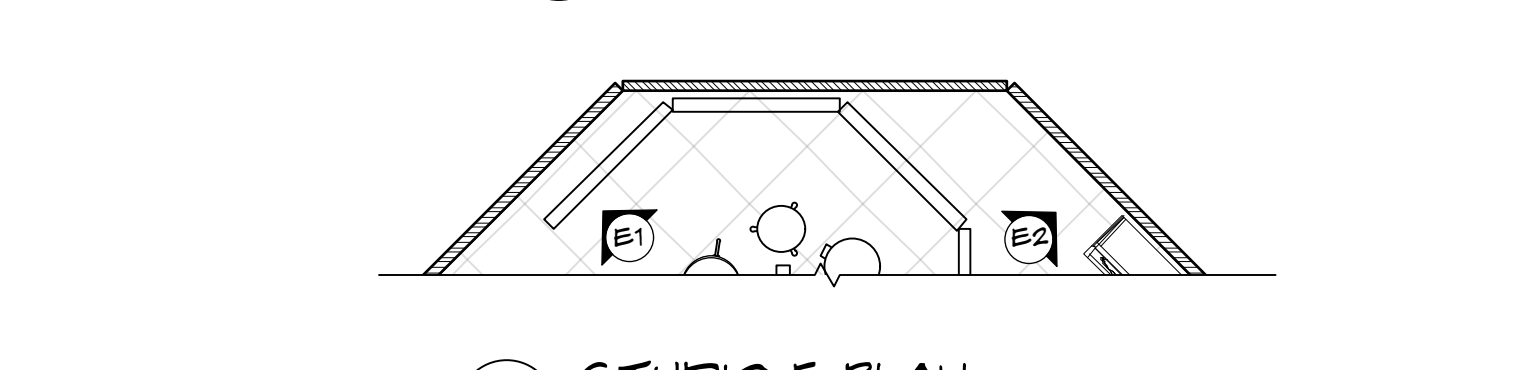
E2 FLATTENED SCALE: 1/4" = 1'-0"



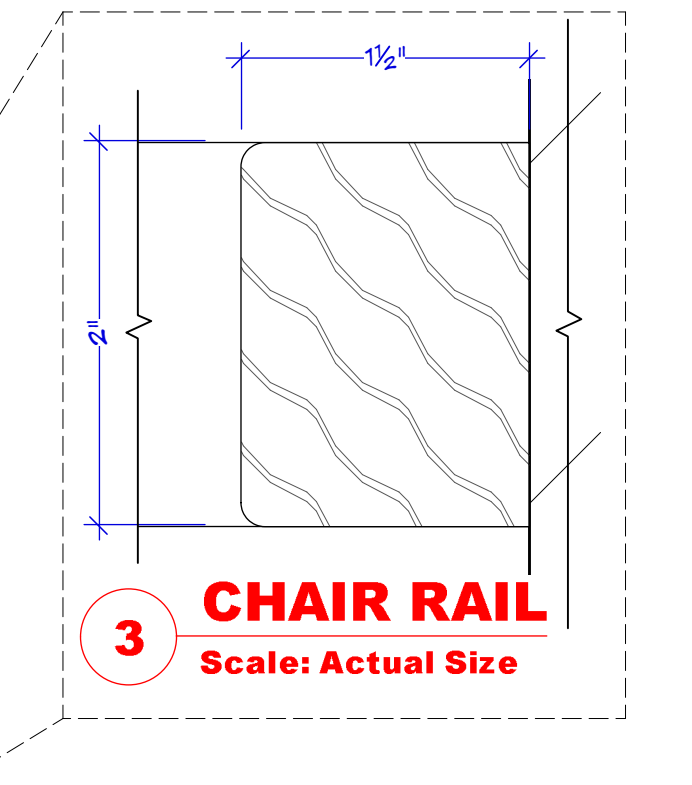
CONTROL ROOM WALL D PLAN SCALE: 1/4" = 1'-0"



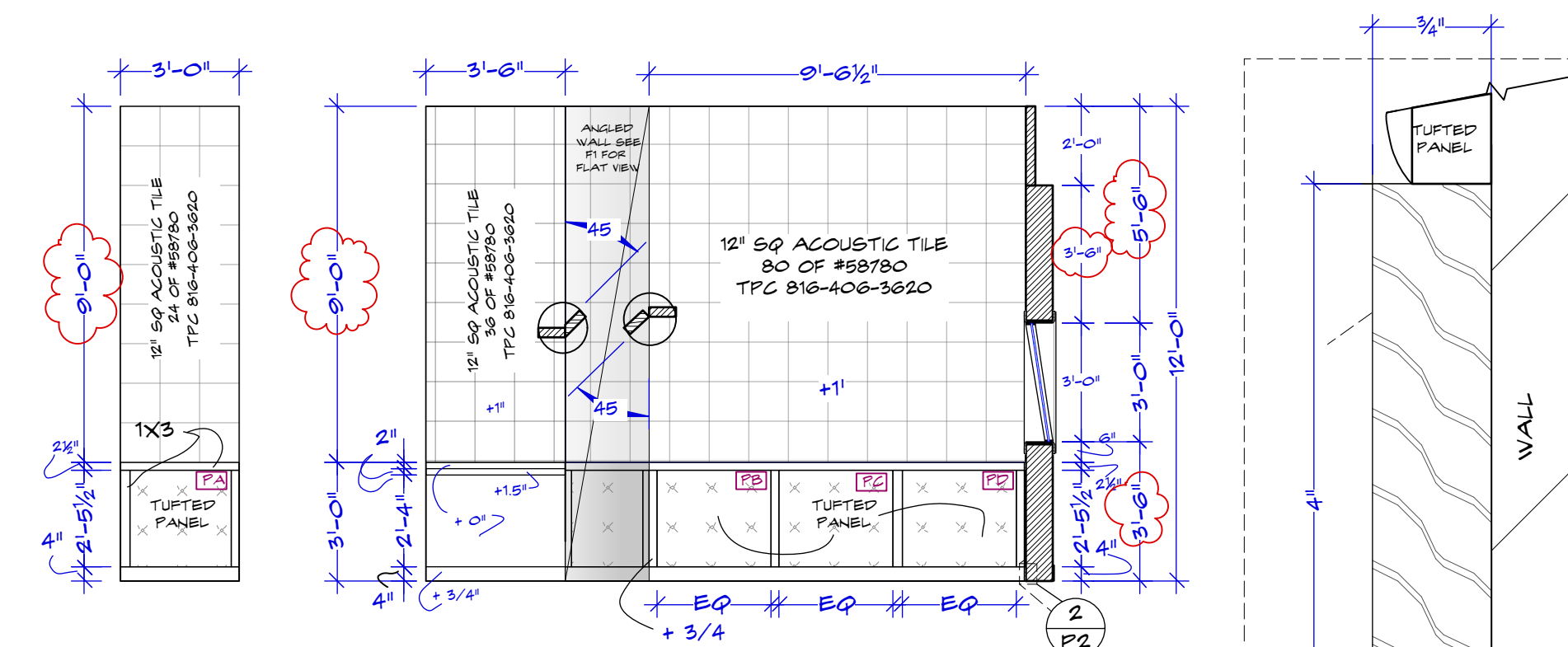
SECRET DOOR PLAN SCALE: 1/4" = 1'-0"



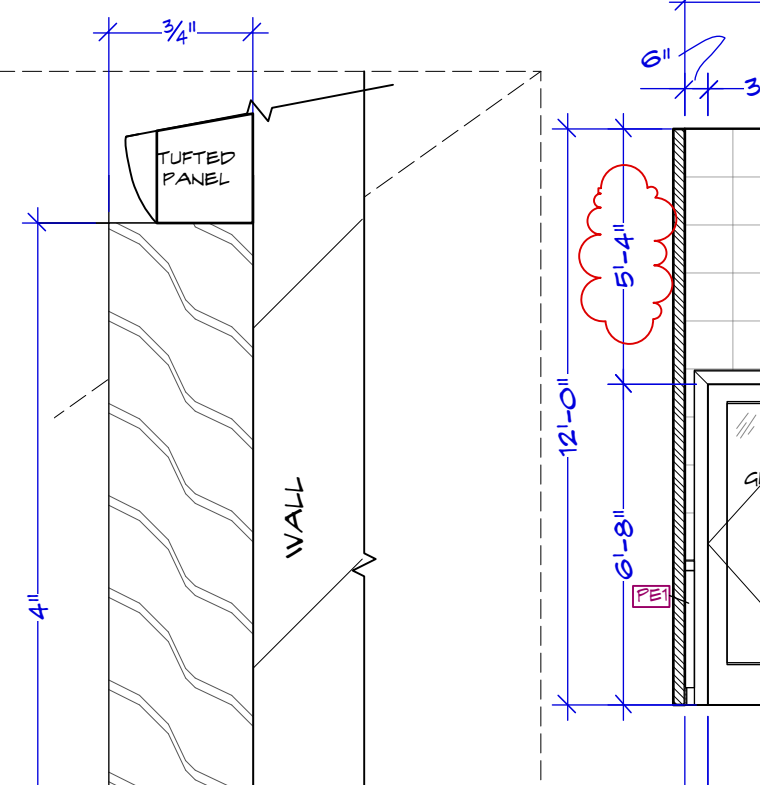
STUDIO E PLAN SCALE: 1/4" = 1'-0"



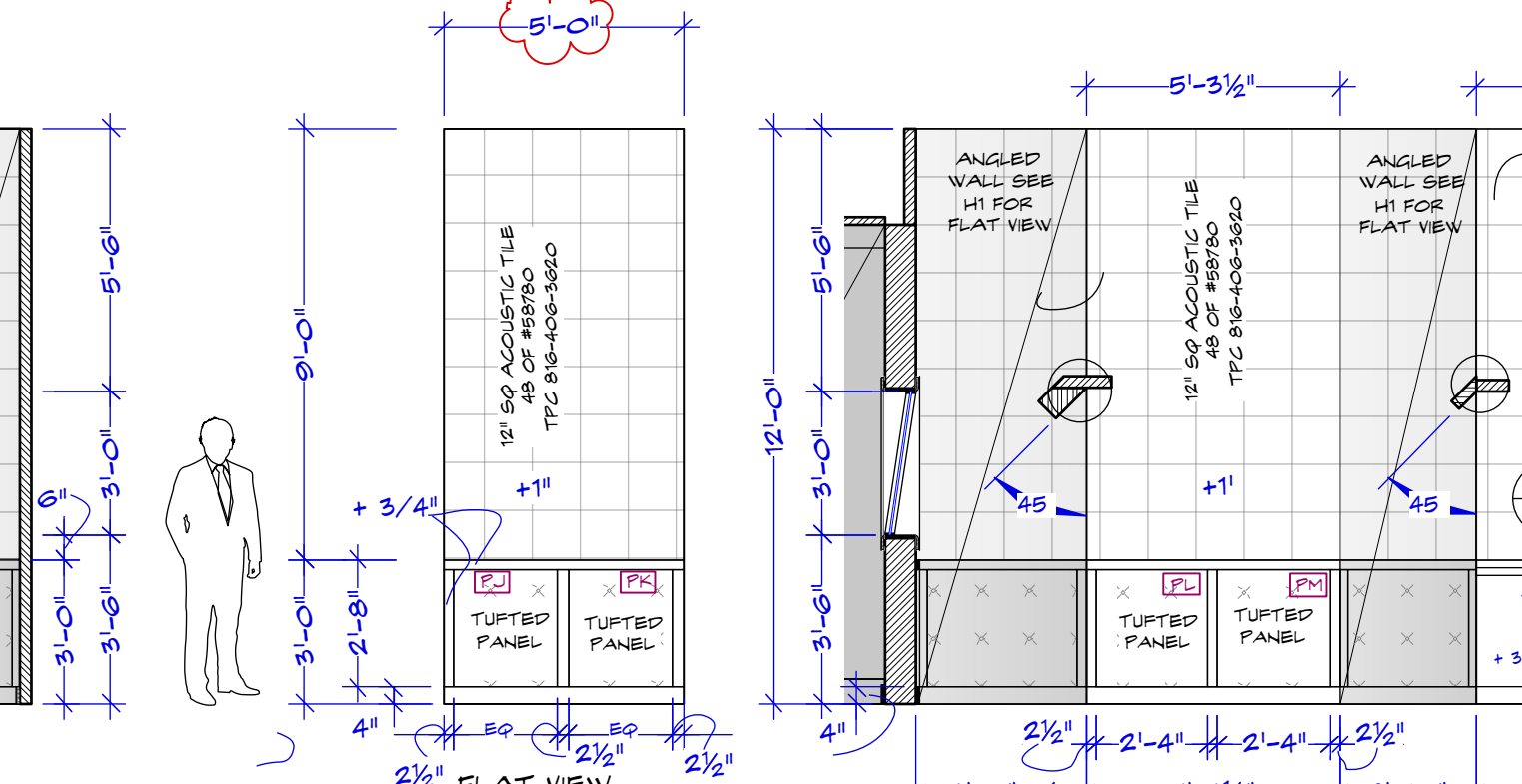
3 CHAIR RAIL Scale: Actual Size



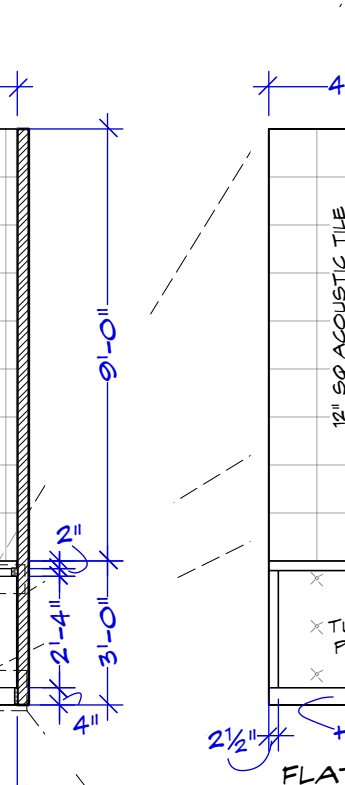
F STUDIO WALL F SCALE: 1/4" = 1'-0"



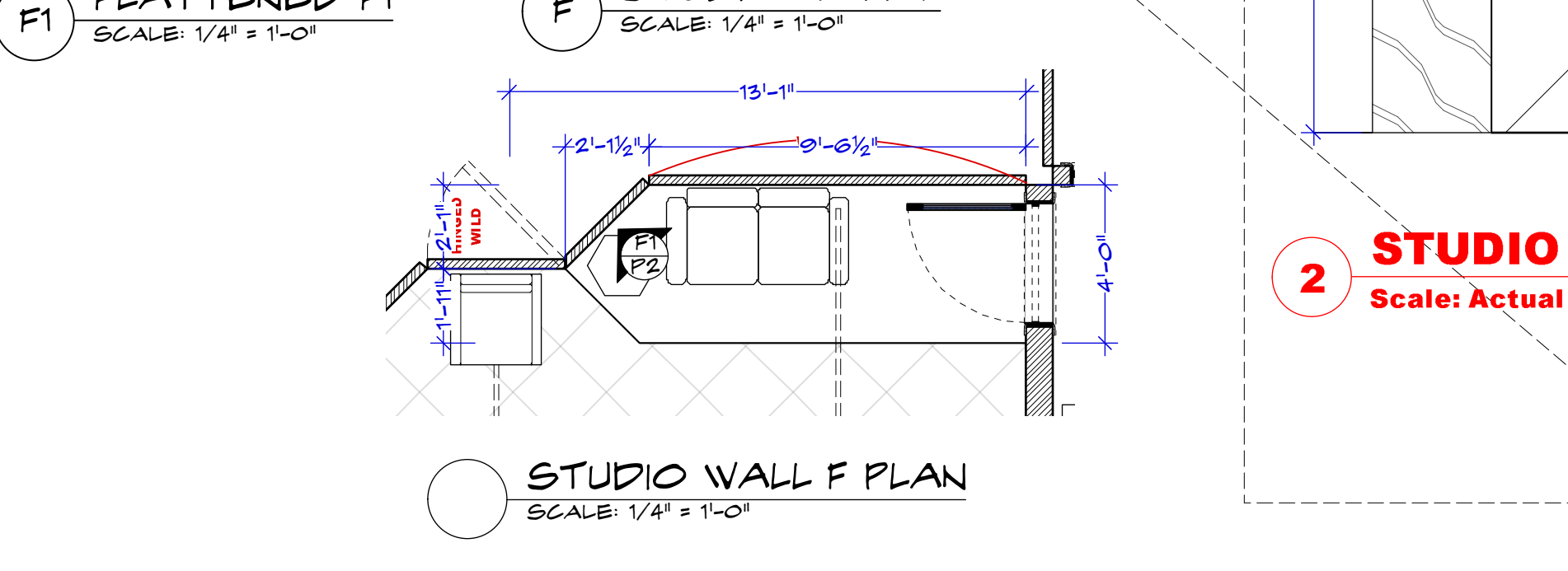
G STUDIO WALL G SCALE: 1/4" = 1'-0"



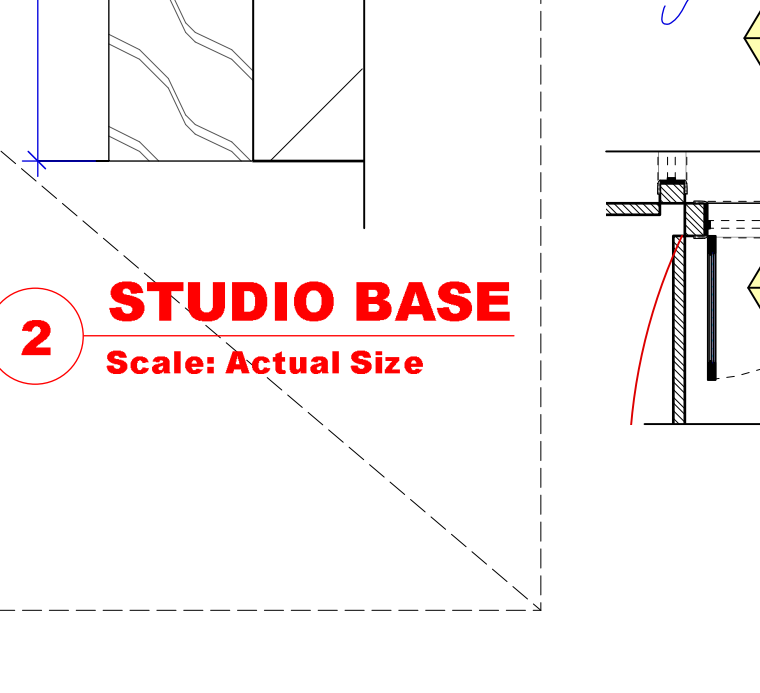
H STUDIO WALL H SCALE: 1/4" = 1'-0"



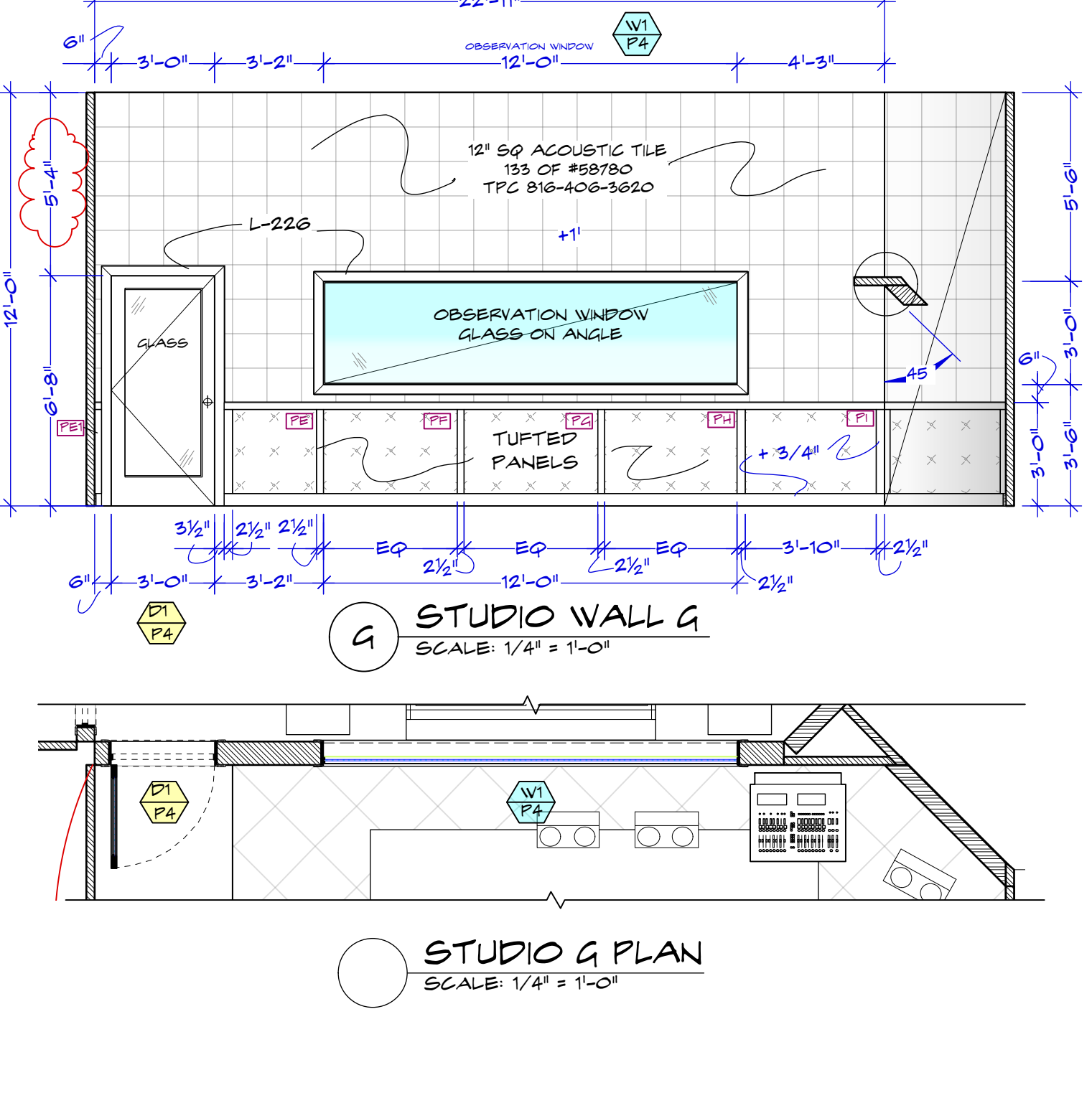
H2 FLATTENED SCALE: 1/4" = 1'-0"



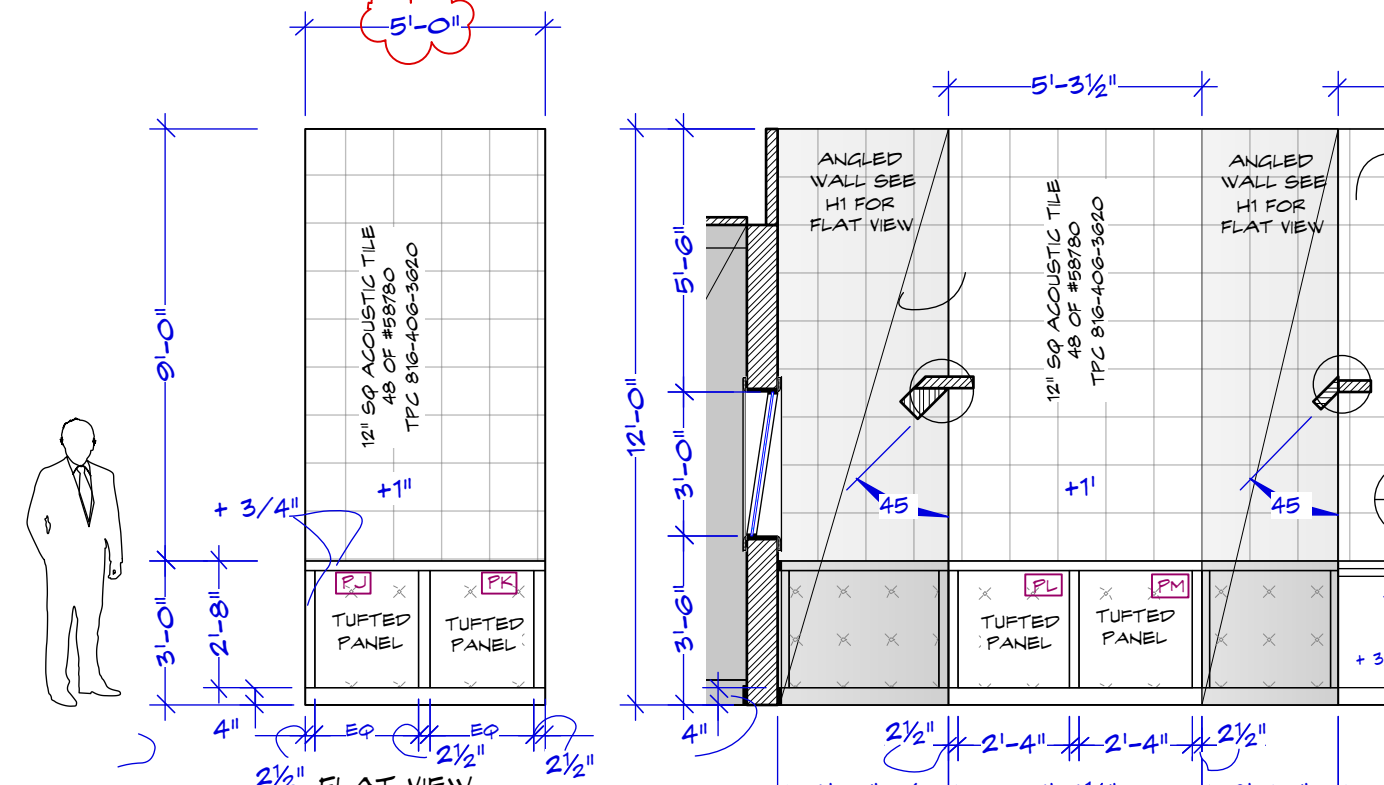
STUDIO WALL F PLAN SCALE: 1/4" = 1'-0"



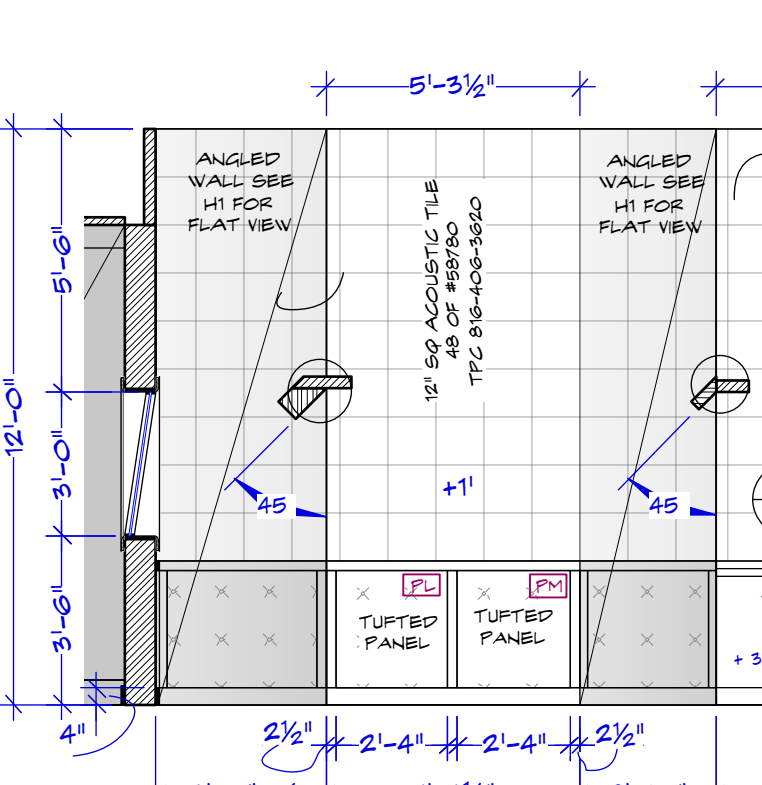
2 STUDIO BASE Scale: Actual Size



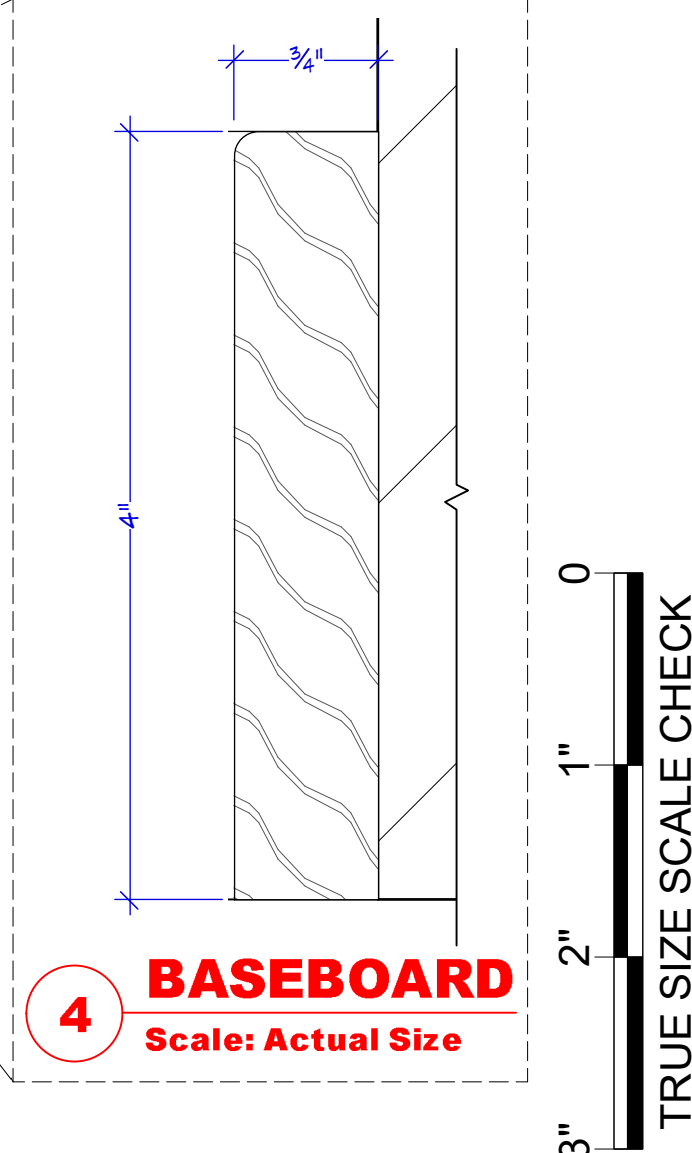
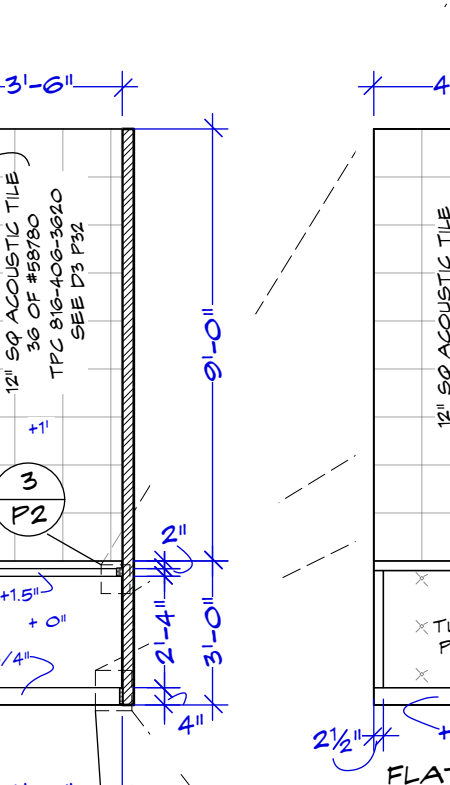
STUDIO G PLAN SCALE: 1/4" = 1'-0"



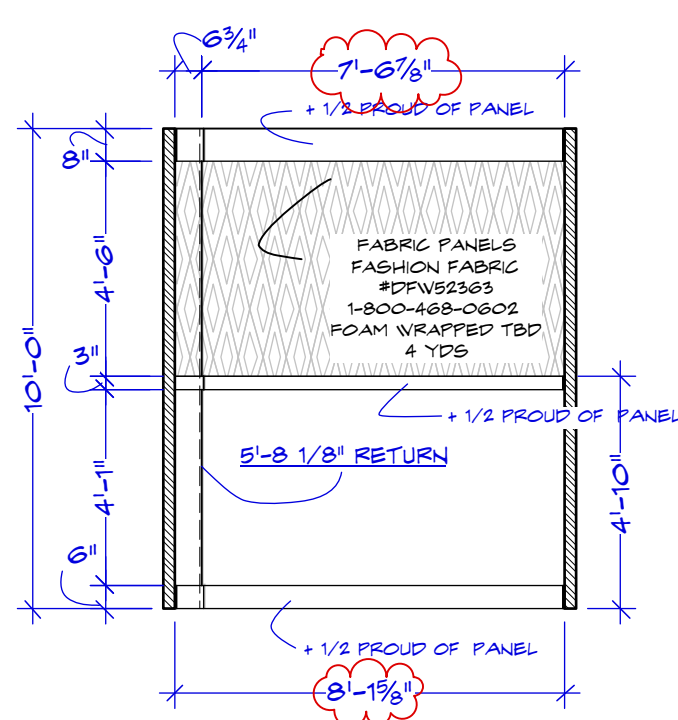
H1 FLATTENED SCALE: 1/4" = 1'-0"



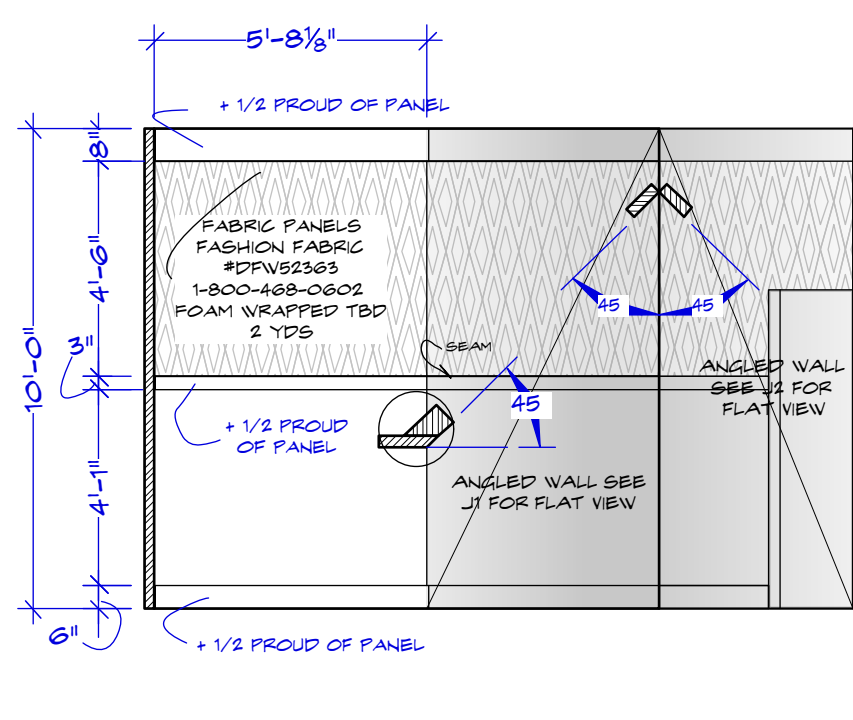
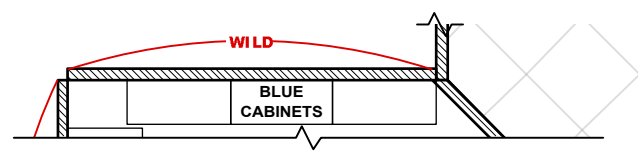
STUDIO WALL H PLAN SCALE: 1/4" = 1'-0"



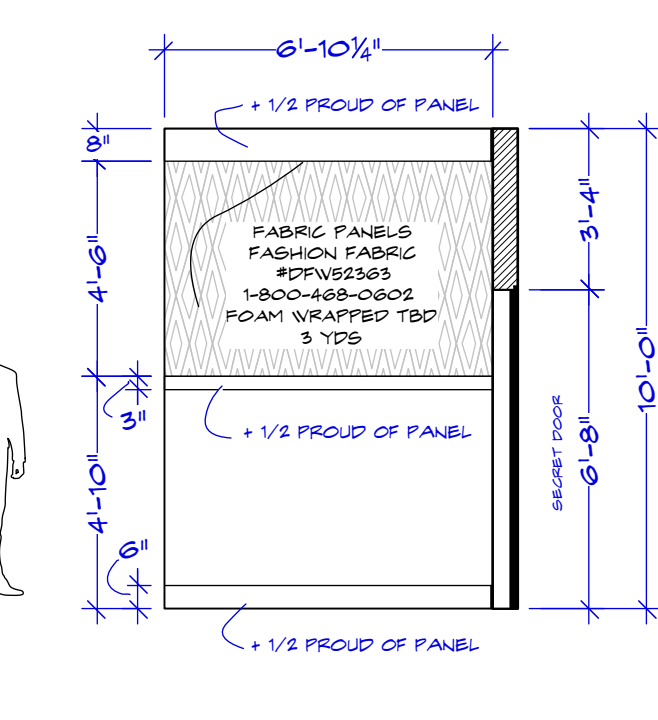
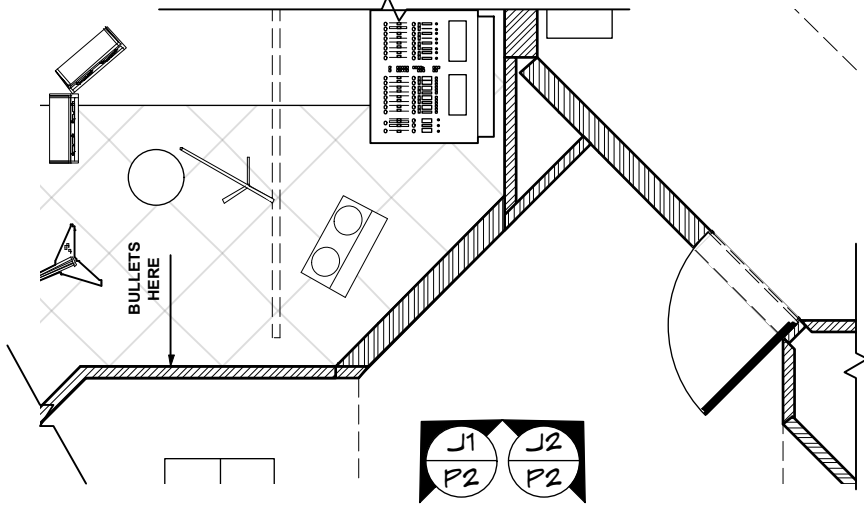
4 BASEBOARD Scale: Actual Size



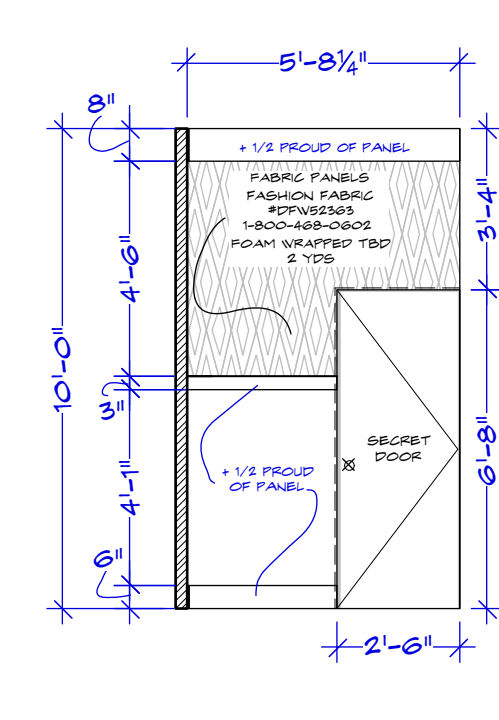
I RADIO RM WALL I
SCALE: 1/4" = 1'-0"



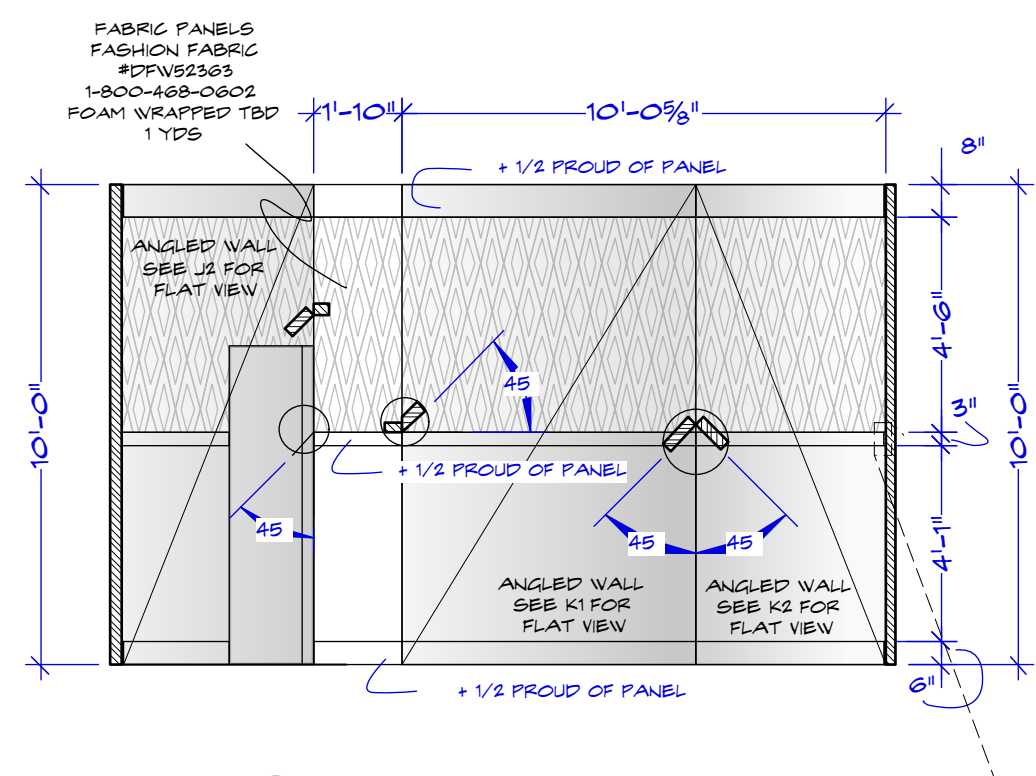
J RADIO RM WALL J
SCALE: 1/4" = 1'-0"



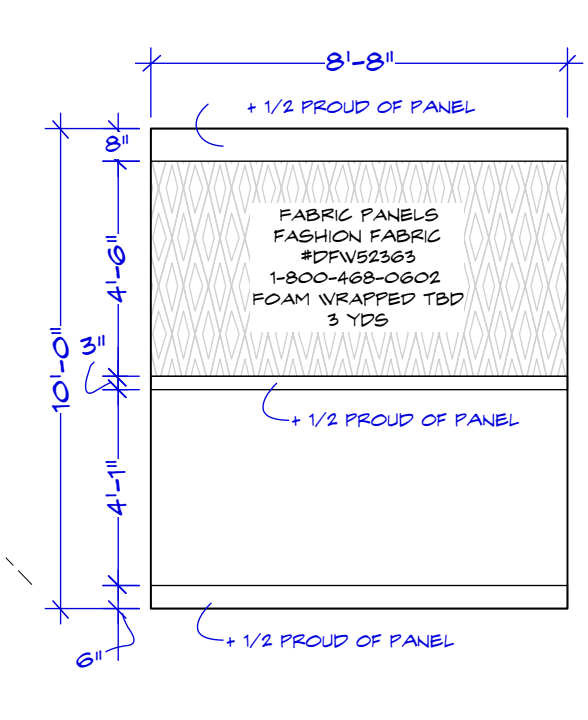
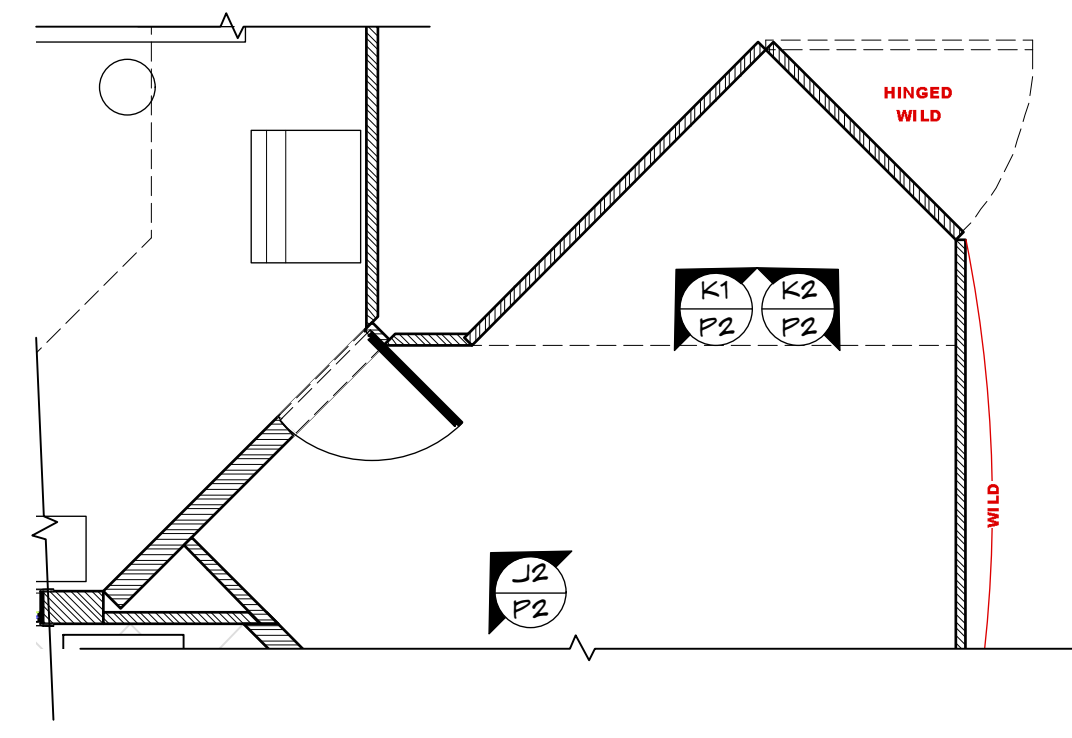
J1 FLATTENED J1
SCALE: 1/4" = 1'-0"



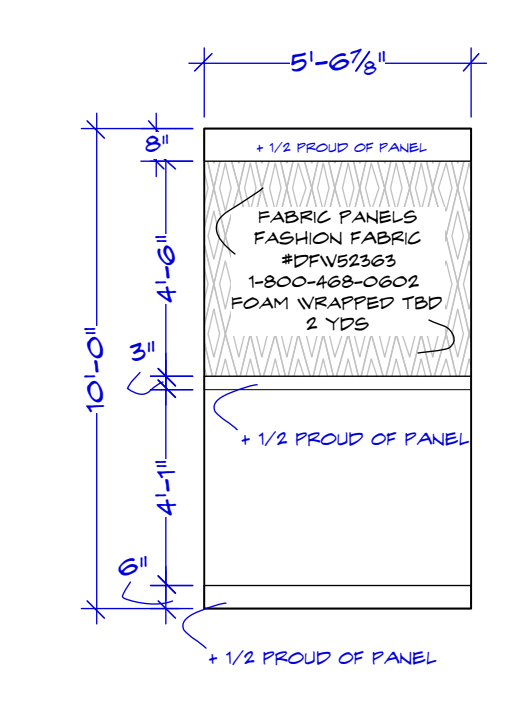
J2 FLATTENED J2
SCALE: 1/4" = 1'-0"



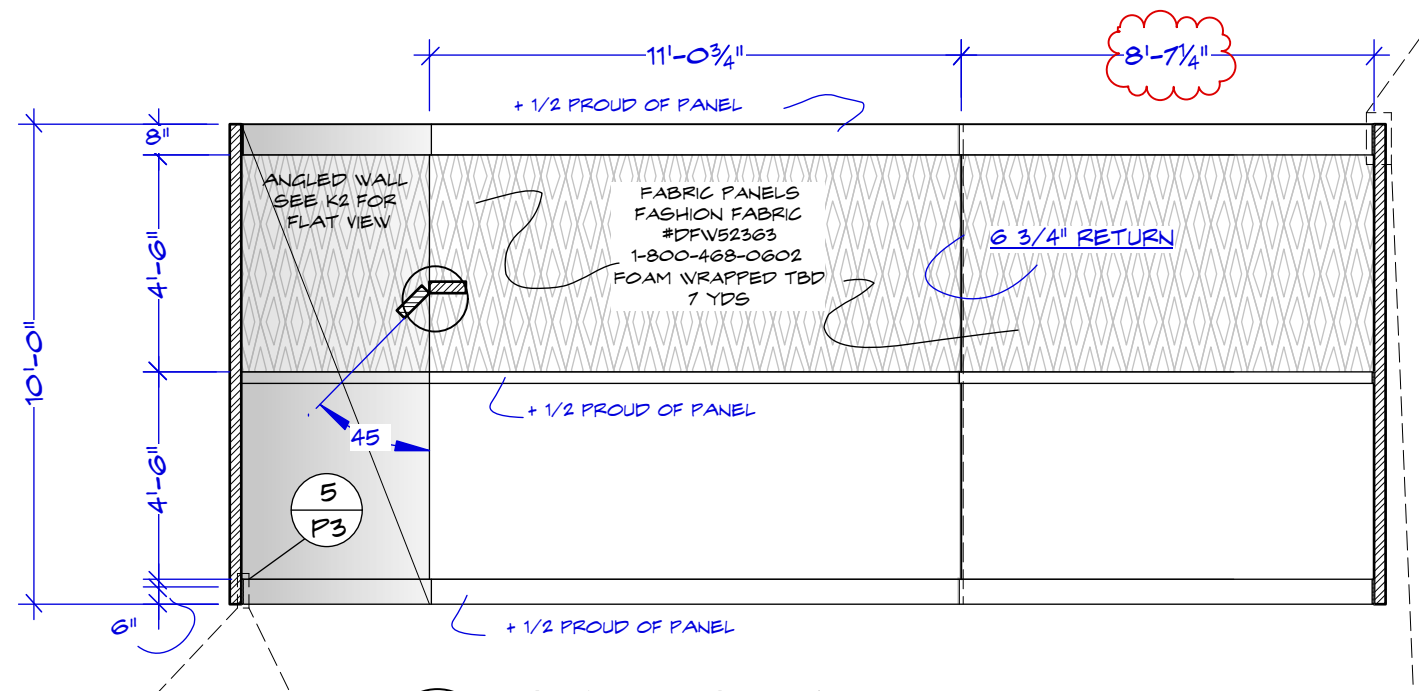
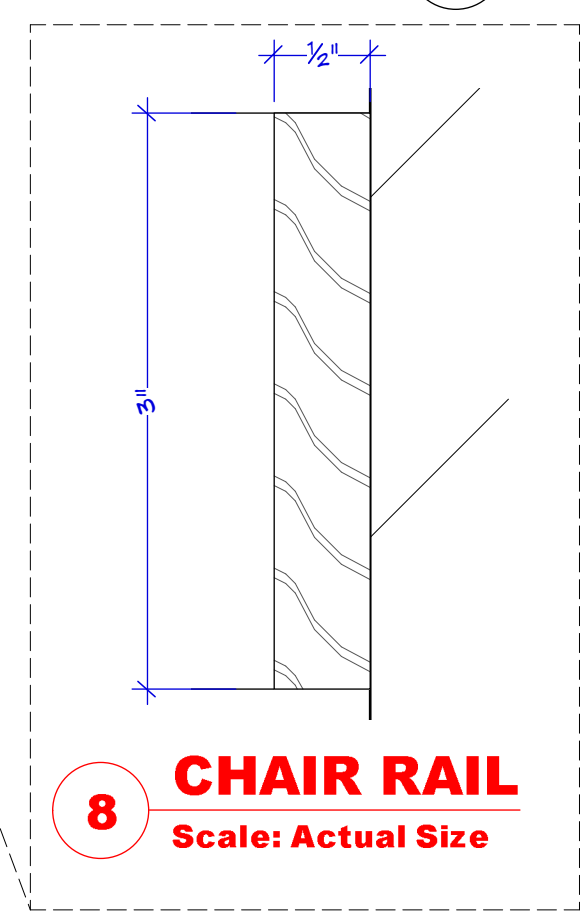
K RADIO RM VIEW K
SCALE: 1/4" = 1'-0"



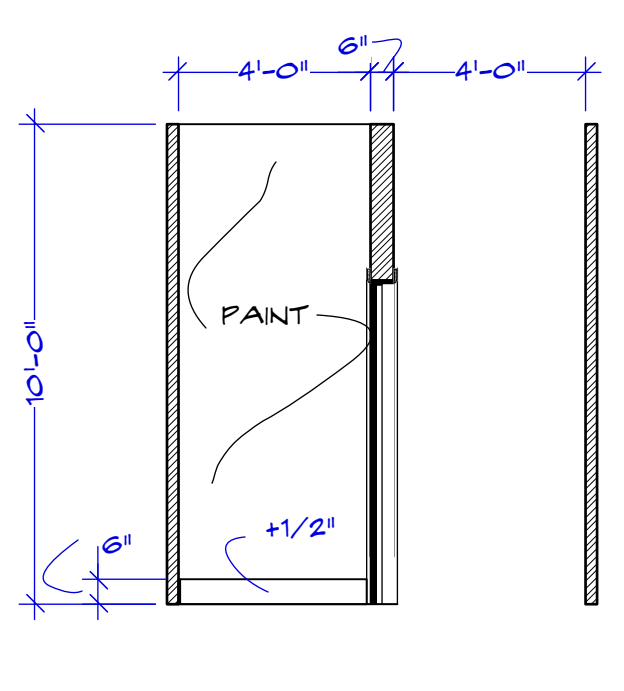
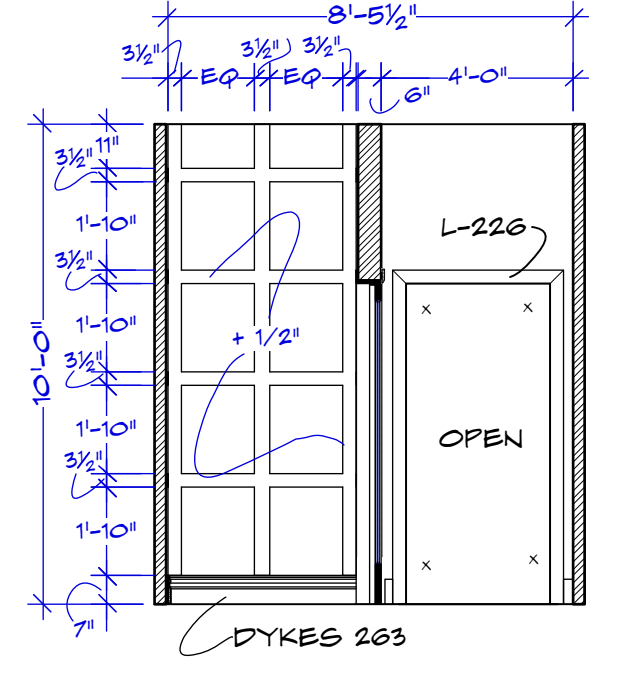
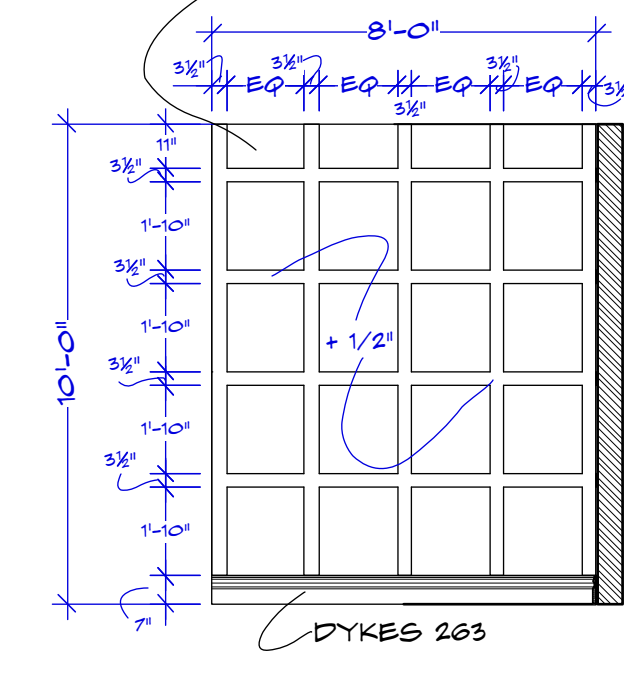
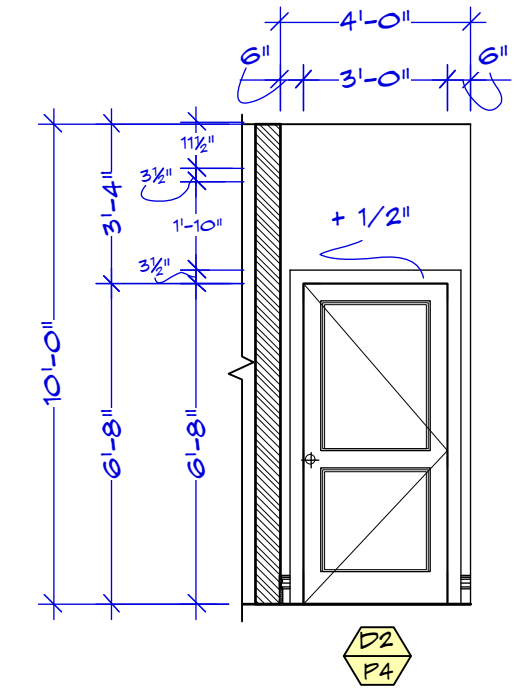
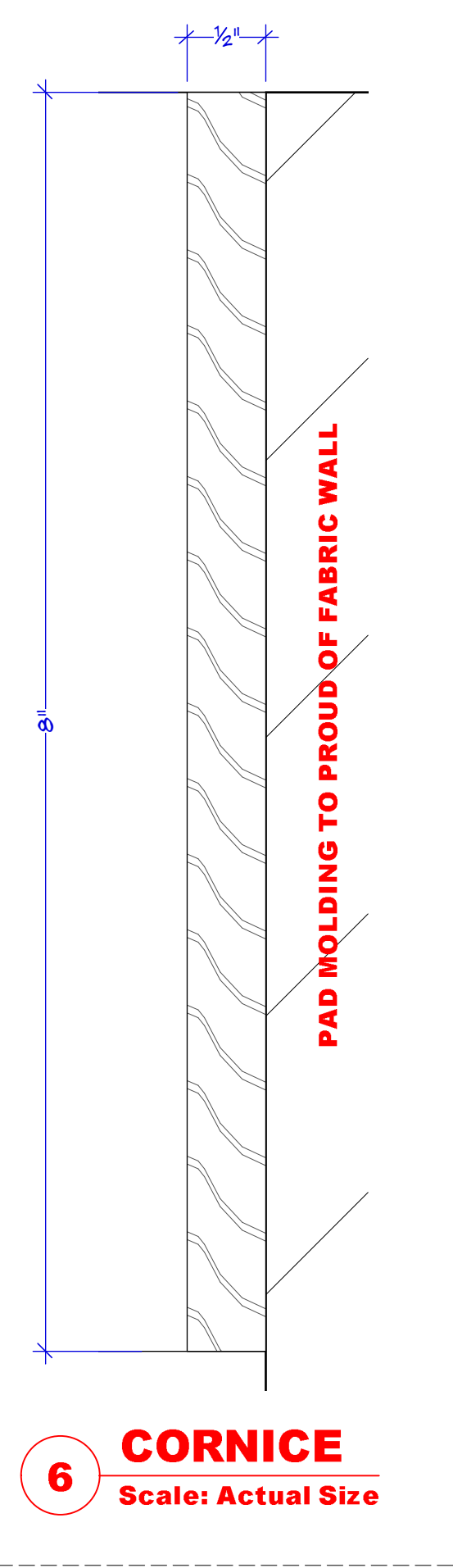
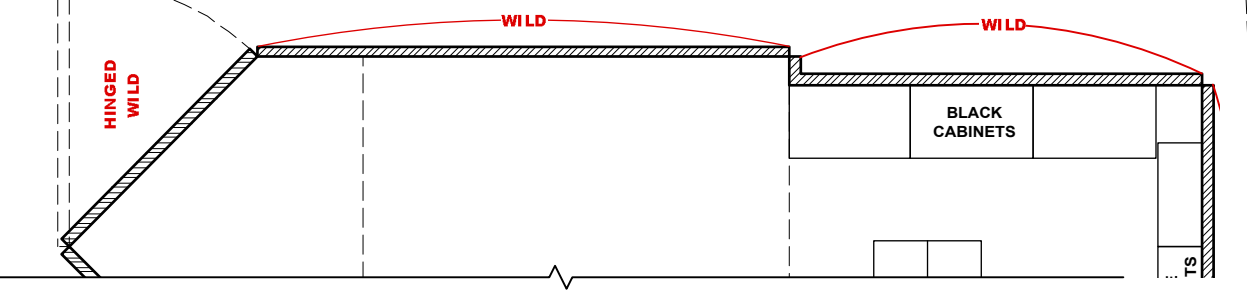
K1 FLATTENED K1
SCALE: 1/4" = 1'-0"



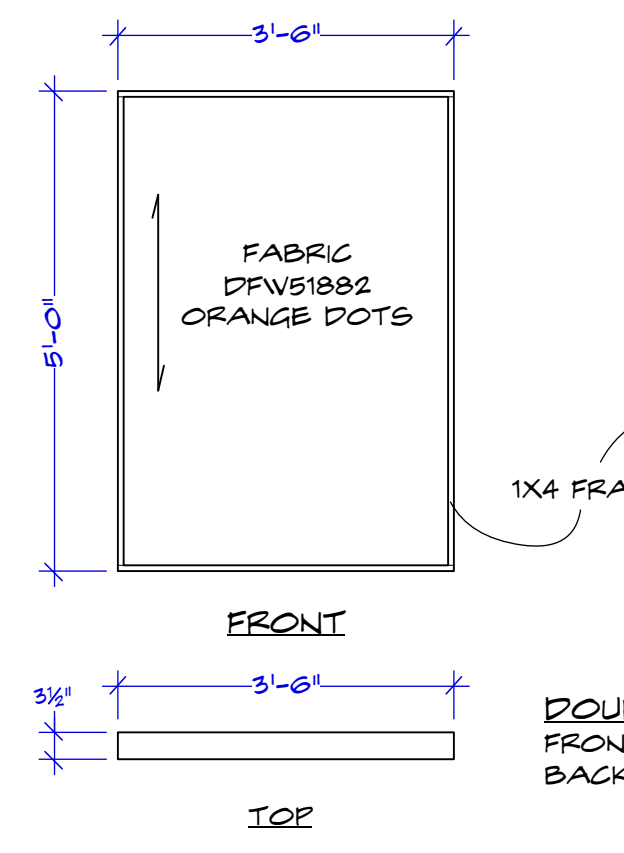
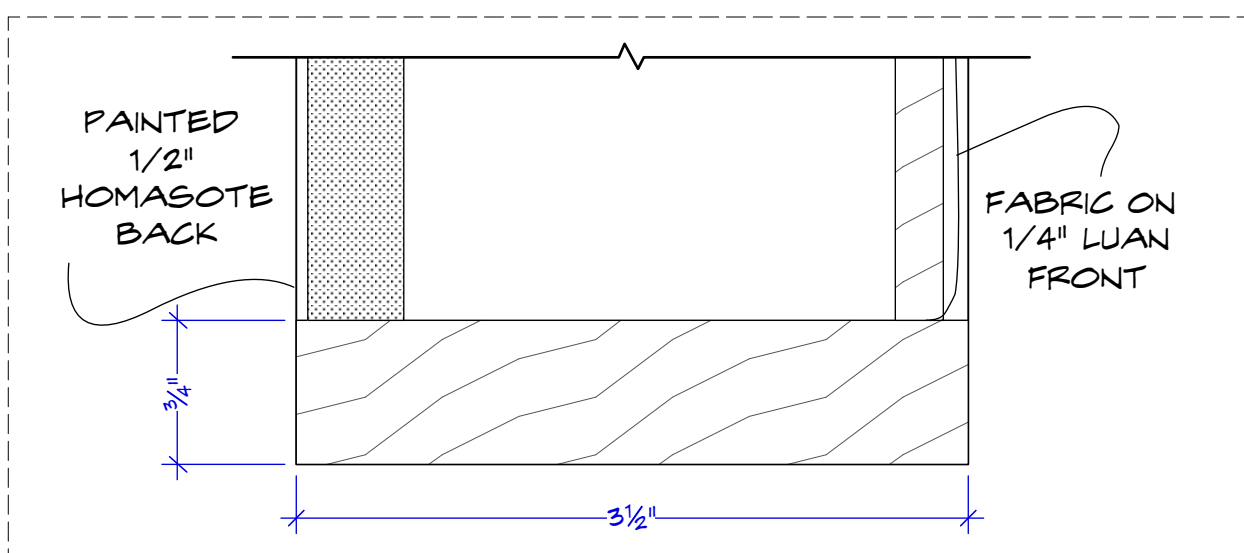
K2 FLATTENED K2
SCALE: 1/4" = 1'-0"



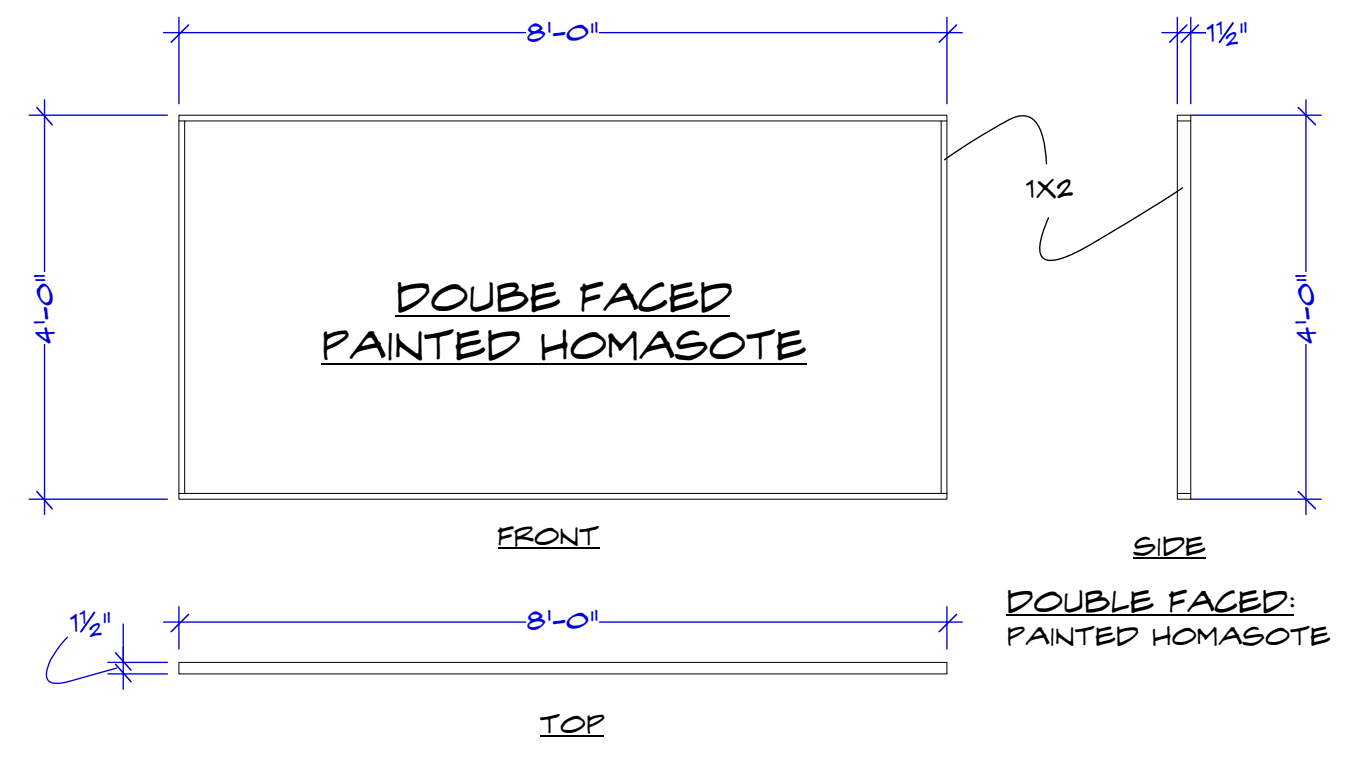
L RADIO RM WALL L
SCALE: 1/4" = 1'-0"



FABRIC COVERED SOUND PANELS NOTE:
PRE CUT 8 1/4" PANELS @ 3'-4 1/4" X 4'-10 1/4"

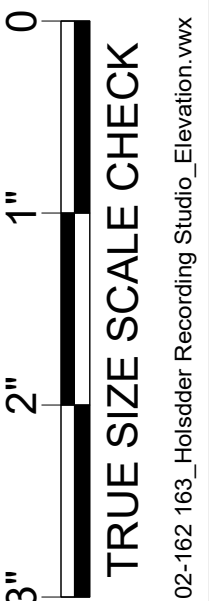


MAKE 8 HINGE PER TECHNICAL PLAN P1



MAKE 8 HANG RE TECHNICAL PLAN P1

5 SECRET RM BASEBOARD
Scale: Actual Size



REVISED 4/15/2019

REVISIONS

8 CHAIR RAIL Scale: Actual Size

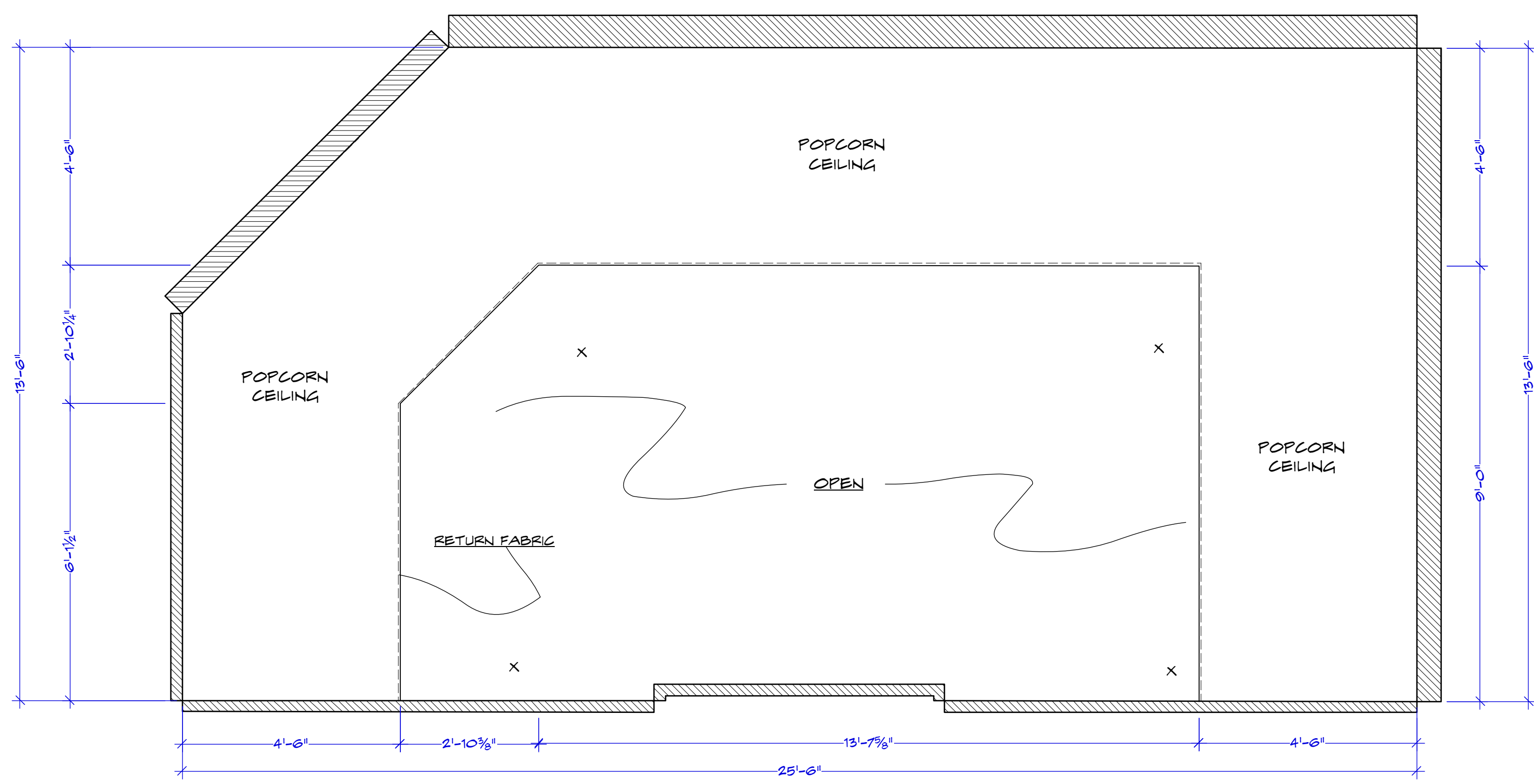
6 CORNICE Scale: Actual Size

9 PANEL DETAIL Scale: Actual Size

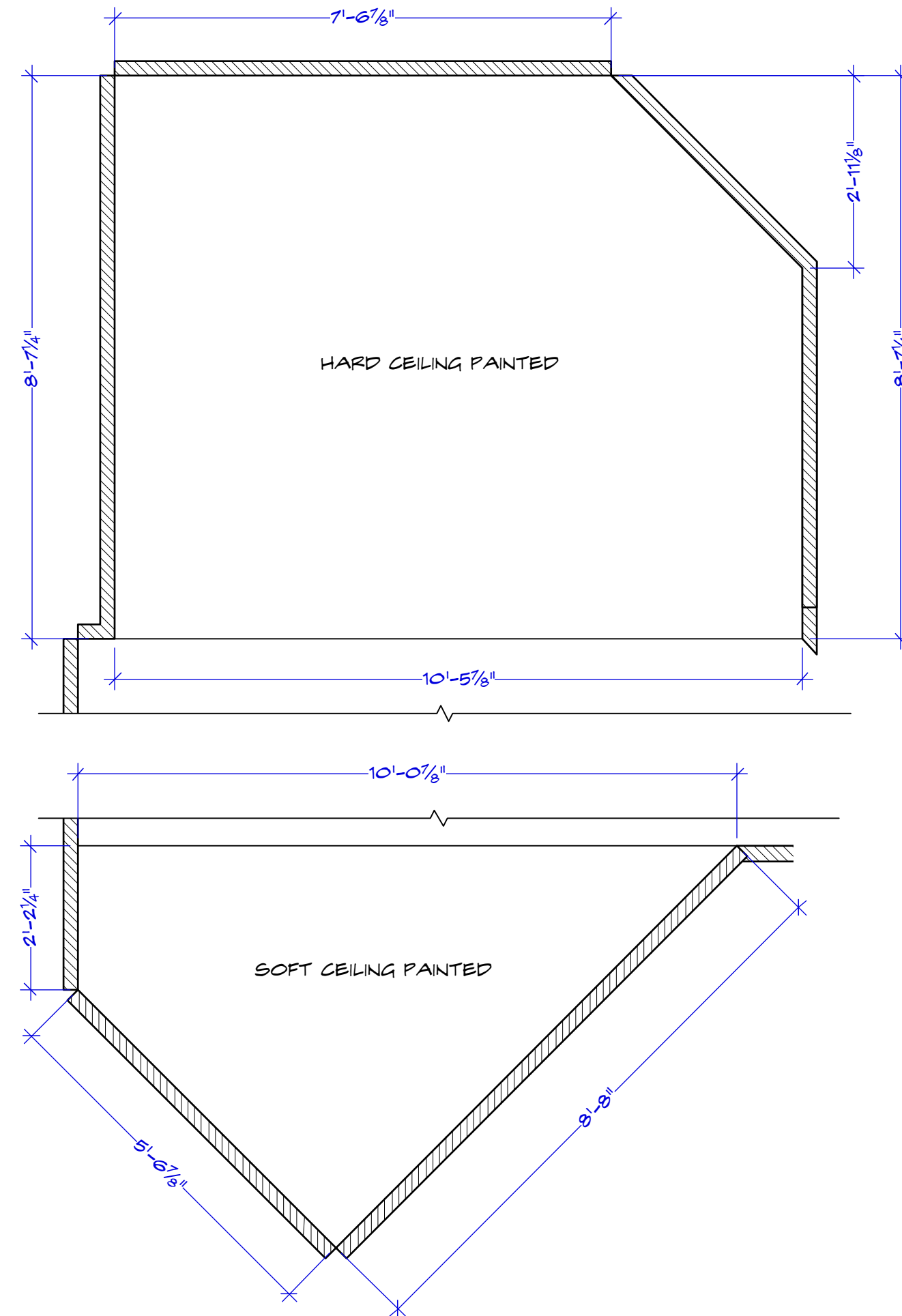
5 SECRET RM BASEBOARD Scale: Actual Size

Episode: 102	Set #: 165	Scale: NOTED
Director: VARIOUS	Location: STAGE 27	
Exec Producer: NIKKI TOSCANO	Line Producer: BILL SELL	Address: STEINER STUDIO 15 WASHINGTON AVE
Prod. Designer: CURT BEECH	Art Director: MARC MUDD	Const. Coordinator: NILES NORTON
Set Decorator: SUSAN MARSHAL		
Producer: JERRY KUPFER	UPM: BILL SELL	Address: STEINER STUDIO 15 WASHINGTON AVE
Prod. Designer: CURT BEECH	Art Director: MARC MUDD	Const. Coordinator: NILES NORTON
Set Decorator: SUSAN MARSHAL		
Set Name & Description: HOLSTEDDER RECORDING STUDIO ELEVATIONS 2	Director: VARIOUS	Location: STAGE 27
Drawn By: M. FAHRER	Sheet No.: 162-03	
Date: 4/23/2019	Shot Date: 04/30/2019	

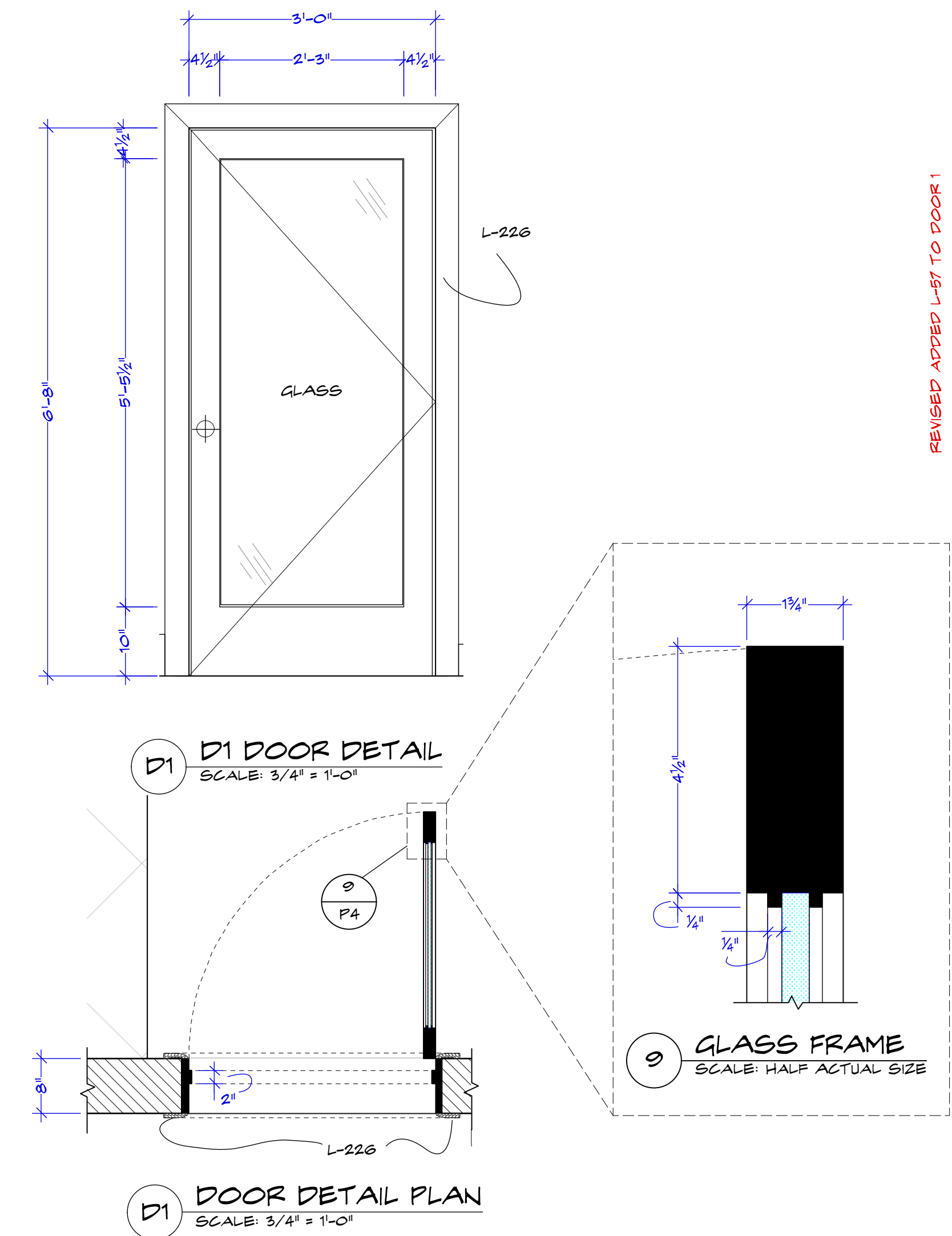




RC REFLECTED CEILING PLAN
SCALE: 1/2" = 1'-0"

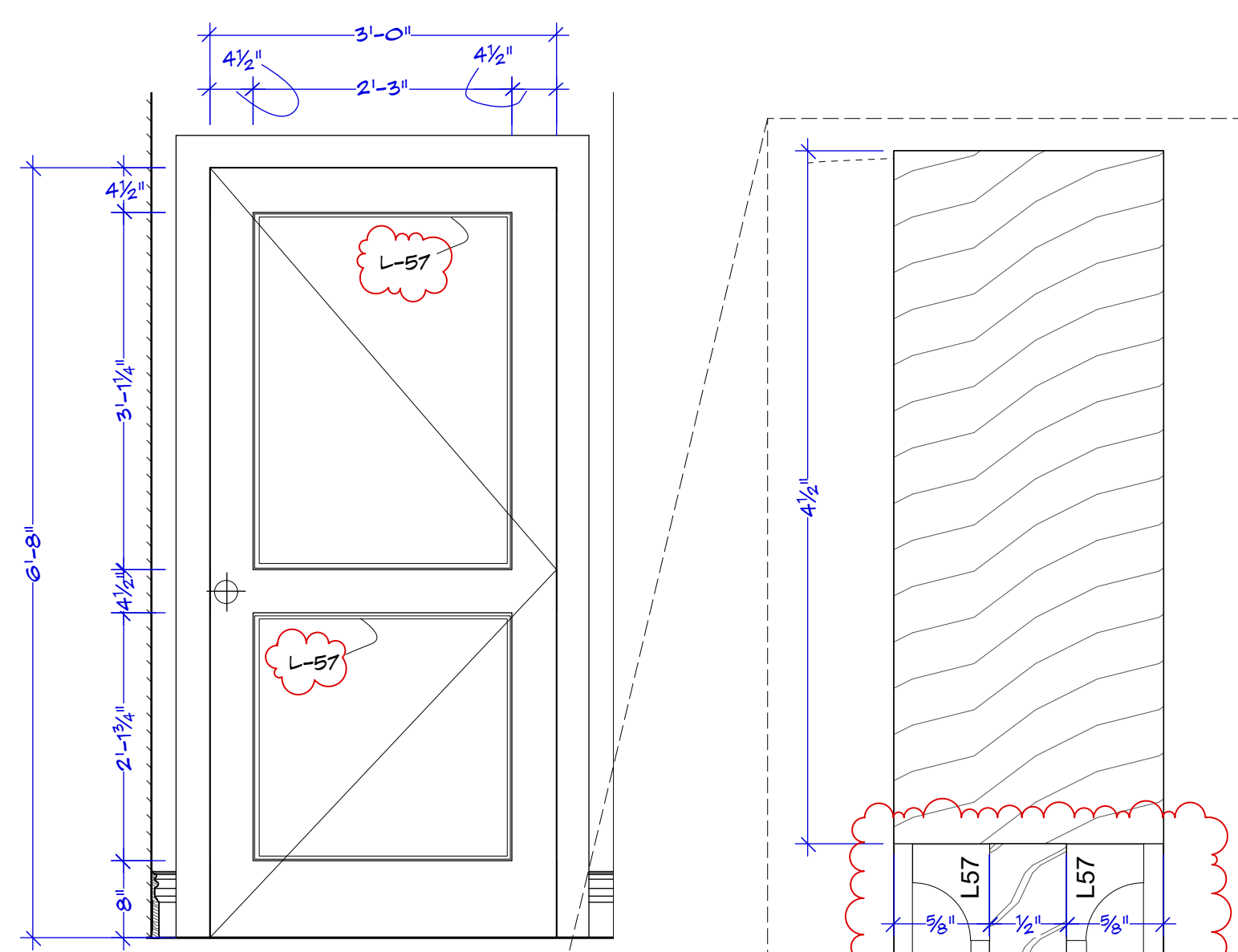


RC RADIO RM REFLECTED CEILING
SCALE: 1/2" = 1'-0"



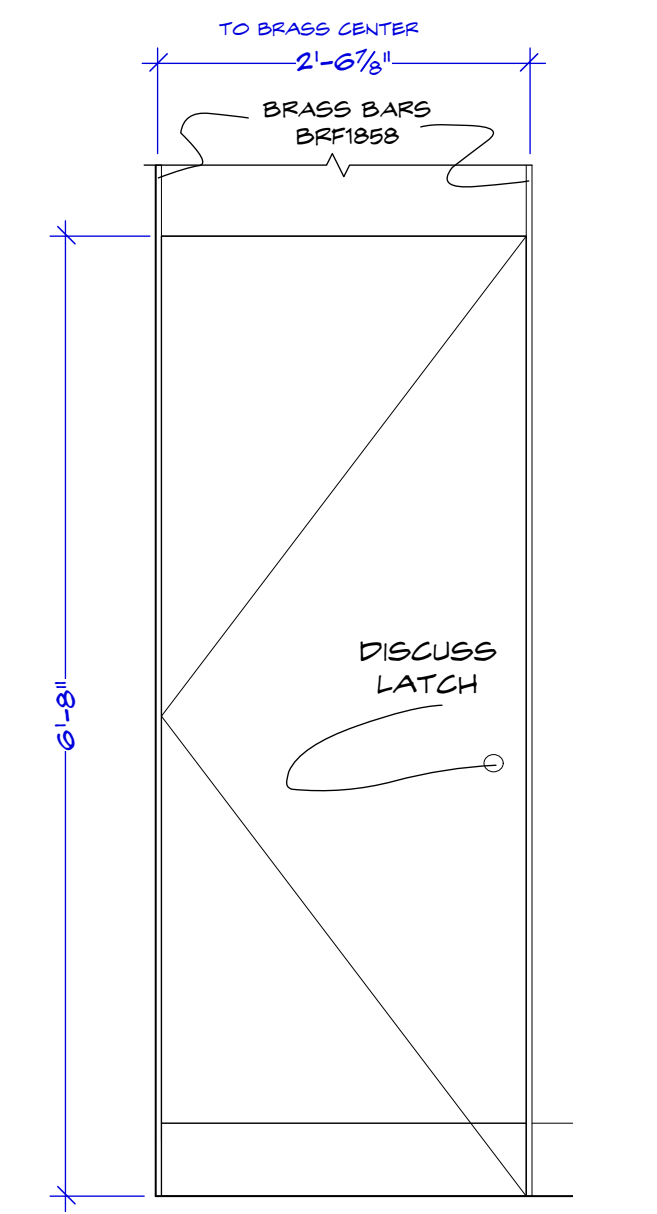
D1 D1 DOOR DETAIL
SCALE: 3/4" = 1'-0"

D1 DOOR DETAIL PLAN
SCALE: 3/4" = 1'-0"

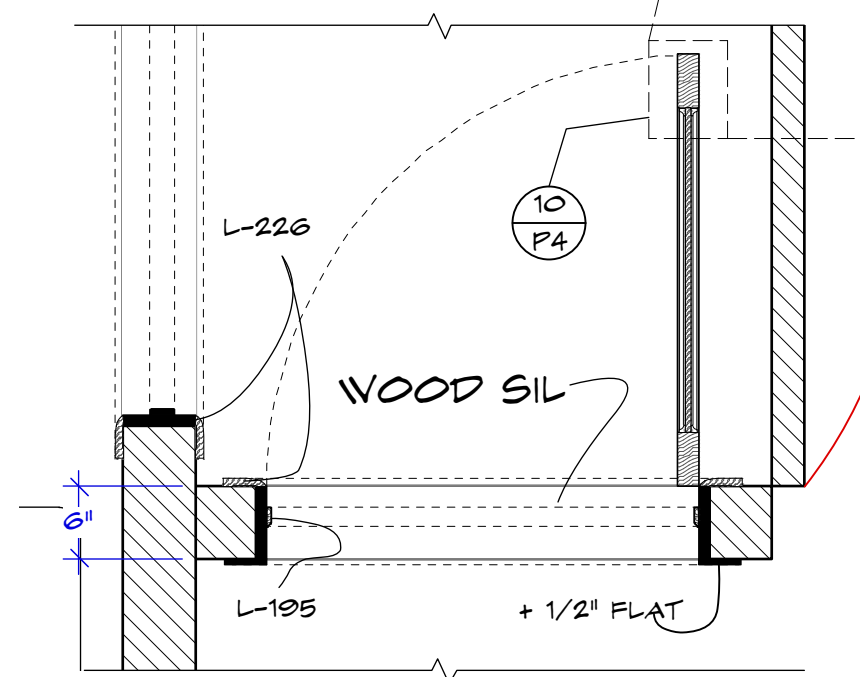


D2 DOOR D1 DETAIL
SCALE: 3/4" = 1'-0"

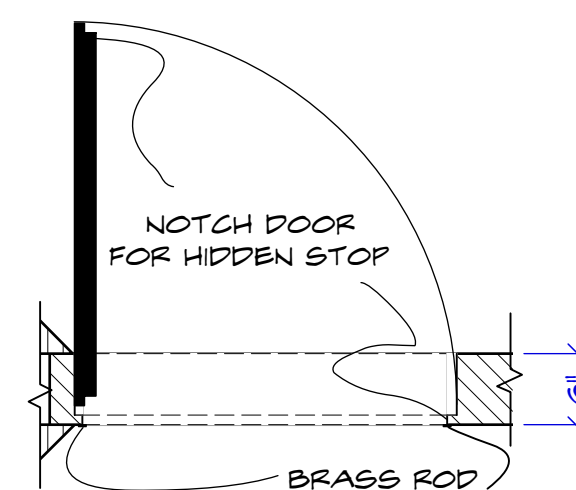
10 DOOR DETAIL
SCALE: ACTUAL SIZE



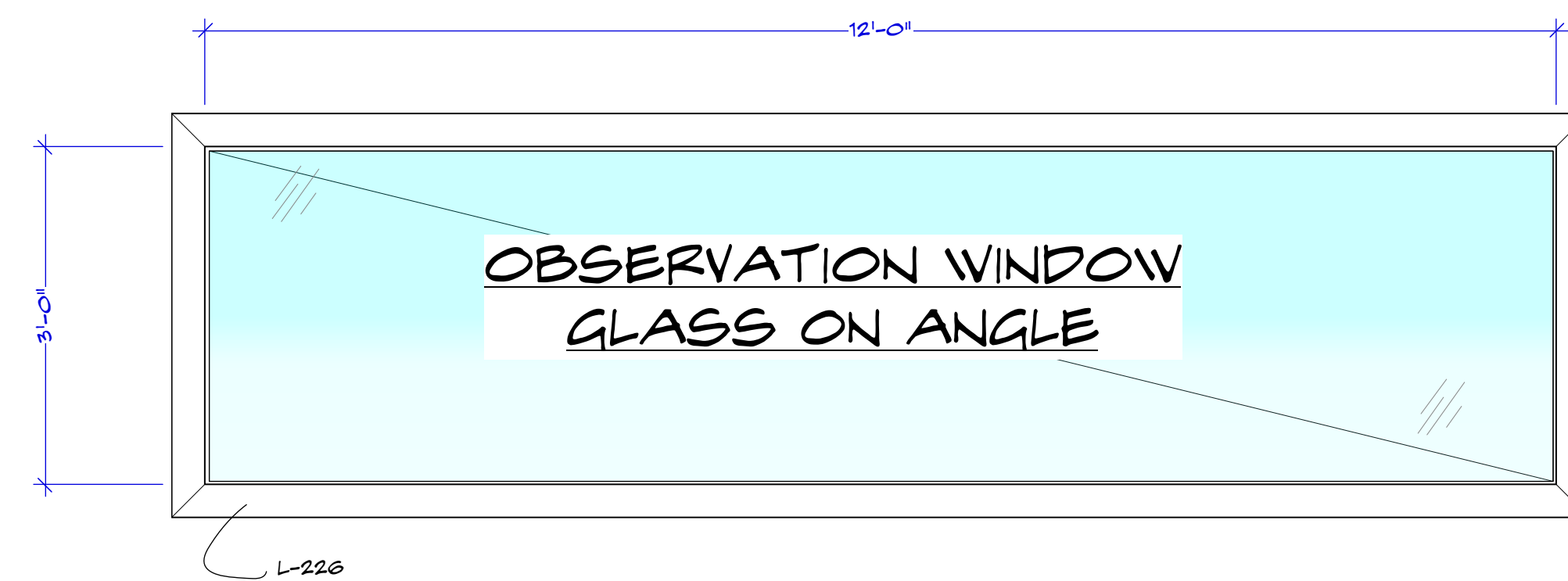
D3 HIDDEN DOOR DETAIL
SCALE: 3/4" = 1'-0"



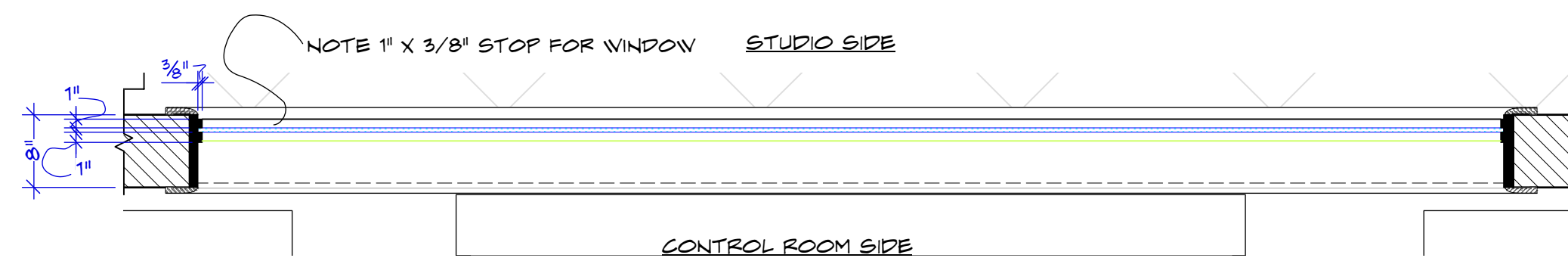
DOOR D2 PLAN
SCALE: 3/4" = 1'-0"



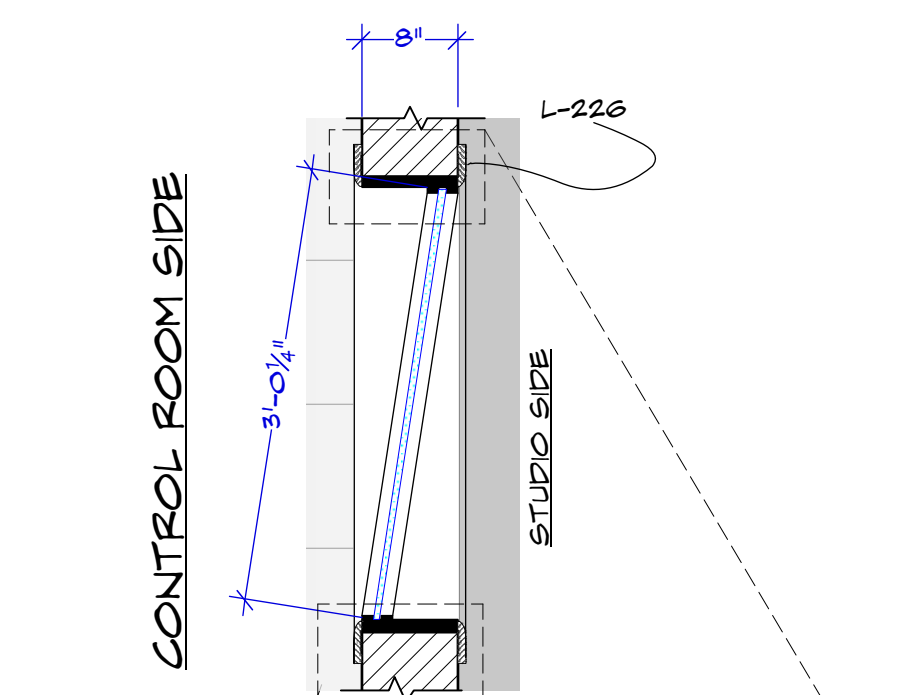
DOOR 3 PLAN
SCALE: 3/4" = 1'-0"



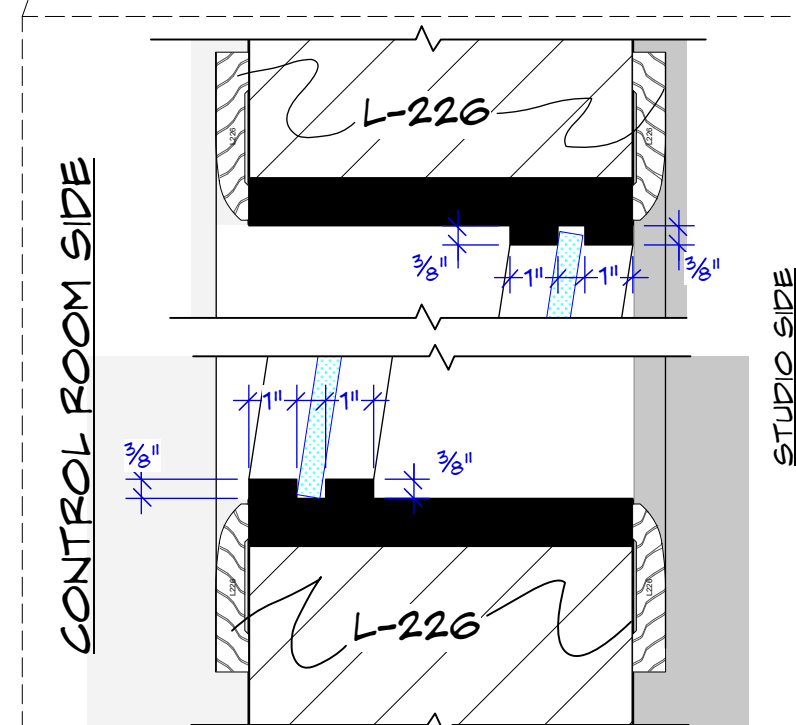
W1 OBSERVATION WINDOW
SCALE: 3/4" = 1'-0"



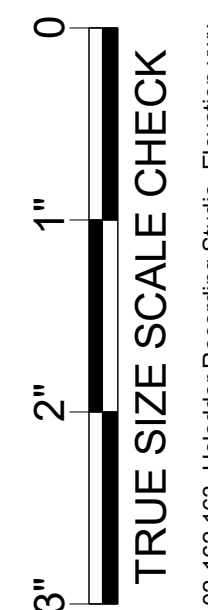
OBSERVATION WINDOW PLAN
SCALE: 3/4" = 1'-0"



OBSERVATION SECTION CL
SCALE: 3/4" = 1'-0"



10 WINDOW DETAIL
SCALE: 3" = 1'-0"

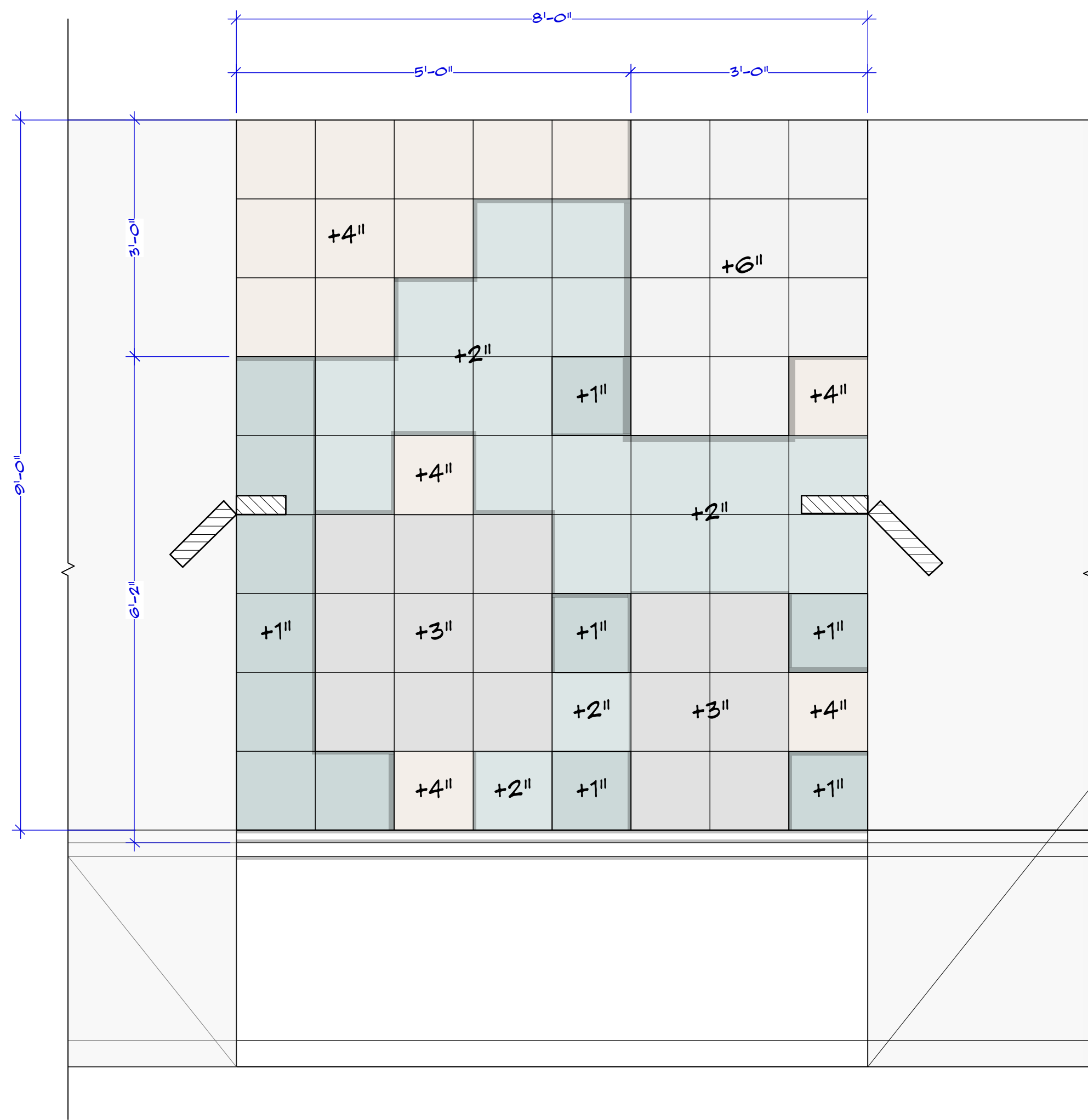


TRUE SIZE SCALE CHECK
102-183_Holstедder Recording Studio_Elevation.vwx

REVISED 4/16/2019
REVISED ADDED L-57 TO DOOR!

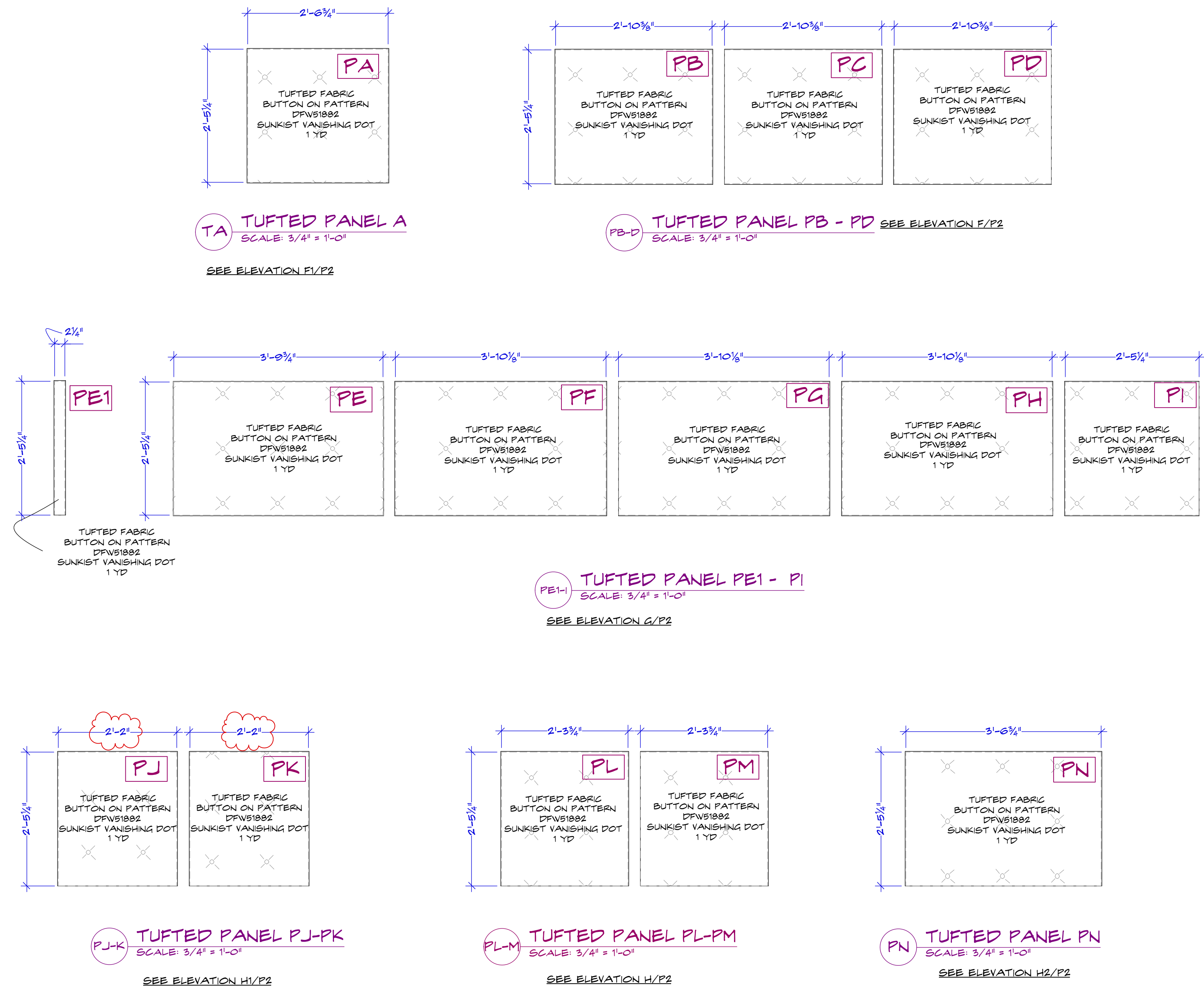
Episode: 102	Set Name & Description: HOLSTEDDER RECORDING STUDIO CEILING & DETAILS	Director: VARIOUS	Location: STAGE 27
Set #: 162-163	Producer: JERRY KUPFER	Art Director: MARCI MUDD	Const. Coordinator: NILES NORTON
Scale: NOTED	Line Producer: BILL SELL UPM: BILL SELL Address: STEINER STUDIO 15 WASHINGTON AVE	Prod. Designer: CURT BEECH	Set Decorator: SUSAN MARSHAL
Drawn By: M. FAHRER	Exec Producer: MIKI TOSCANO	Art Director: MARCI MUDD	Const. Coordinator: NILES NORTON
Sheet No.: 162-04	Address: STEINER STUDIO 15 WASHINGTON AVE	Prod. Designer: CURT BEECH	Set Decorator: SUSAN MARSHAL
Shoot Date: 04/30/2019	Address: STEINER STUDIO 15 WASHINGTON AVE	Prod. Designer: CURT BEECH	Set Decorator: SUSAN MARSHAL





7 **SOUND TILE LAYOUT WALL E**
SCALE: 3/4" = 1'-0"

- M T	= +1"	= +4"
	= +2"	= +6"
	= +3"	



TUFTED PANELS -
PLEASE MAKE 3/8" THICK PLY PANELS FOR SERT DEC TO HAVE MADE INTO TUFTED SOUND BAFfels
20 YDS OF DFW 51882 SUNKIST VANISHING DOT DECORATING FABRIC
TOTAL 16 YDS OF FABRIC

REVISED 4/17/2019

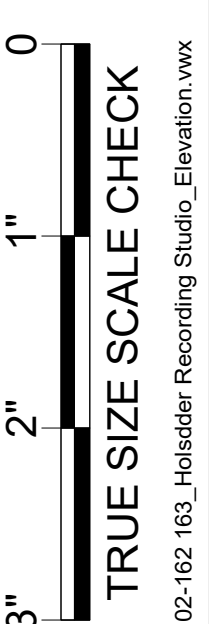
Drawing Date: 4/23/2019
Drawn by: M. FAHRER
Sheet No.: 162-05

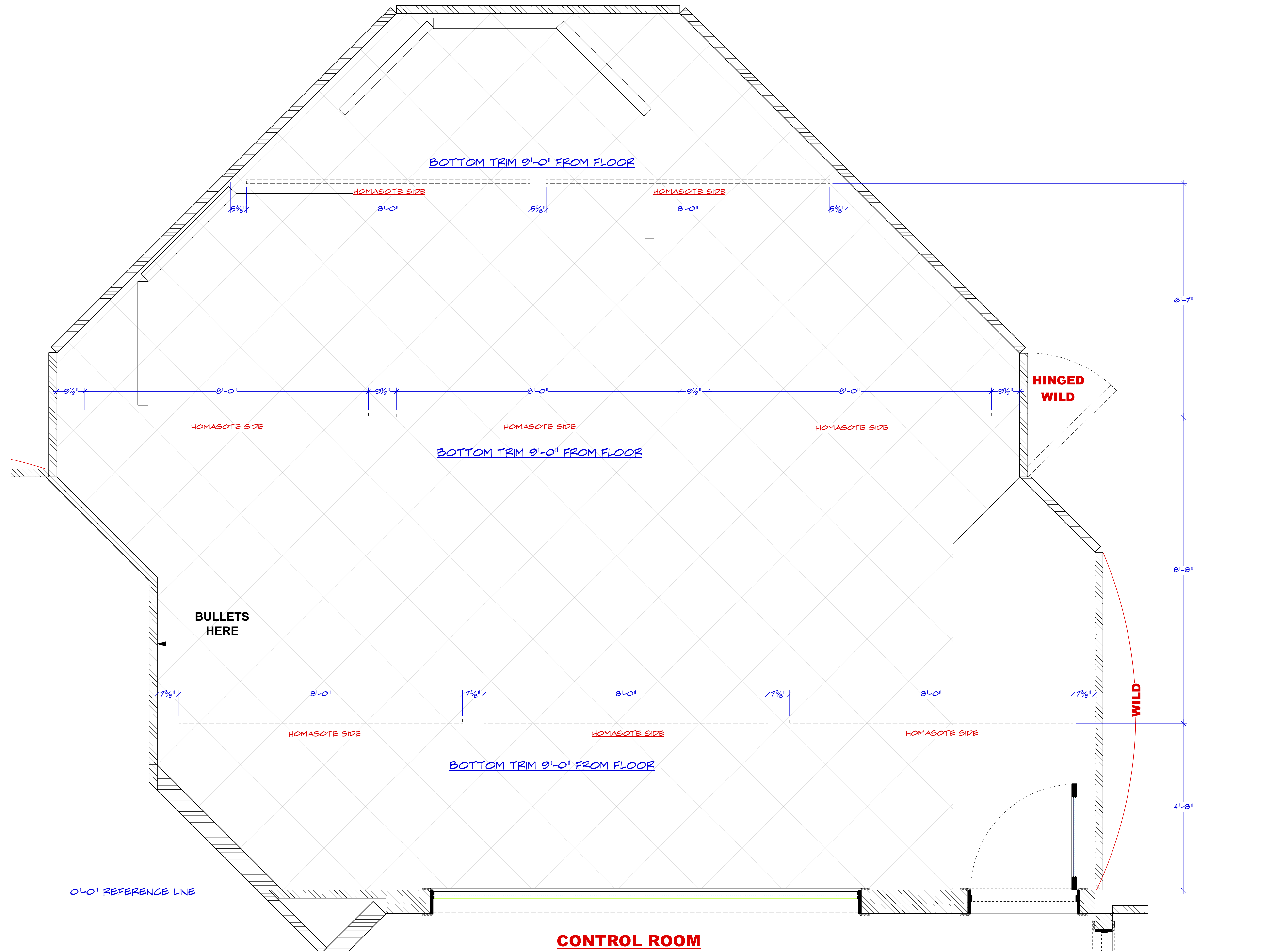
Episode: 102
Set #: 162-163
Scale: NOTED

Set Name & Description: HOLSTEDDER RECORDING STUDIO DETAILS
Director: VARIOUS
Location: STAGE 27

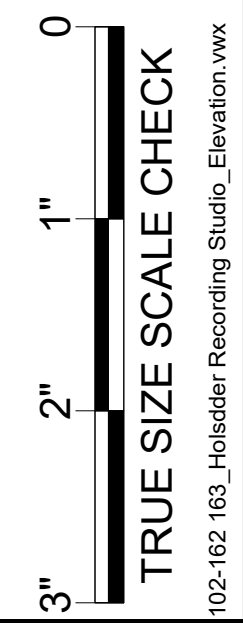
Exec Producer: NIKKI TOSCANO
Line Producer: BILL SELL
Address: STEINER STUDIO 15 WASHINGTON AVE
Prod. Designer: CURT BEECH
Set Decorator: SUSAN MARSHAL

Producer: JERRY KUPFER
UPM: BILL SELL
Art Director: MARCI MUDD
Const. Coordinator: NILES NORTON



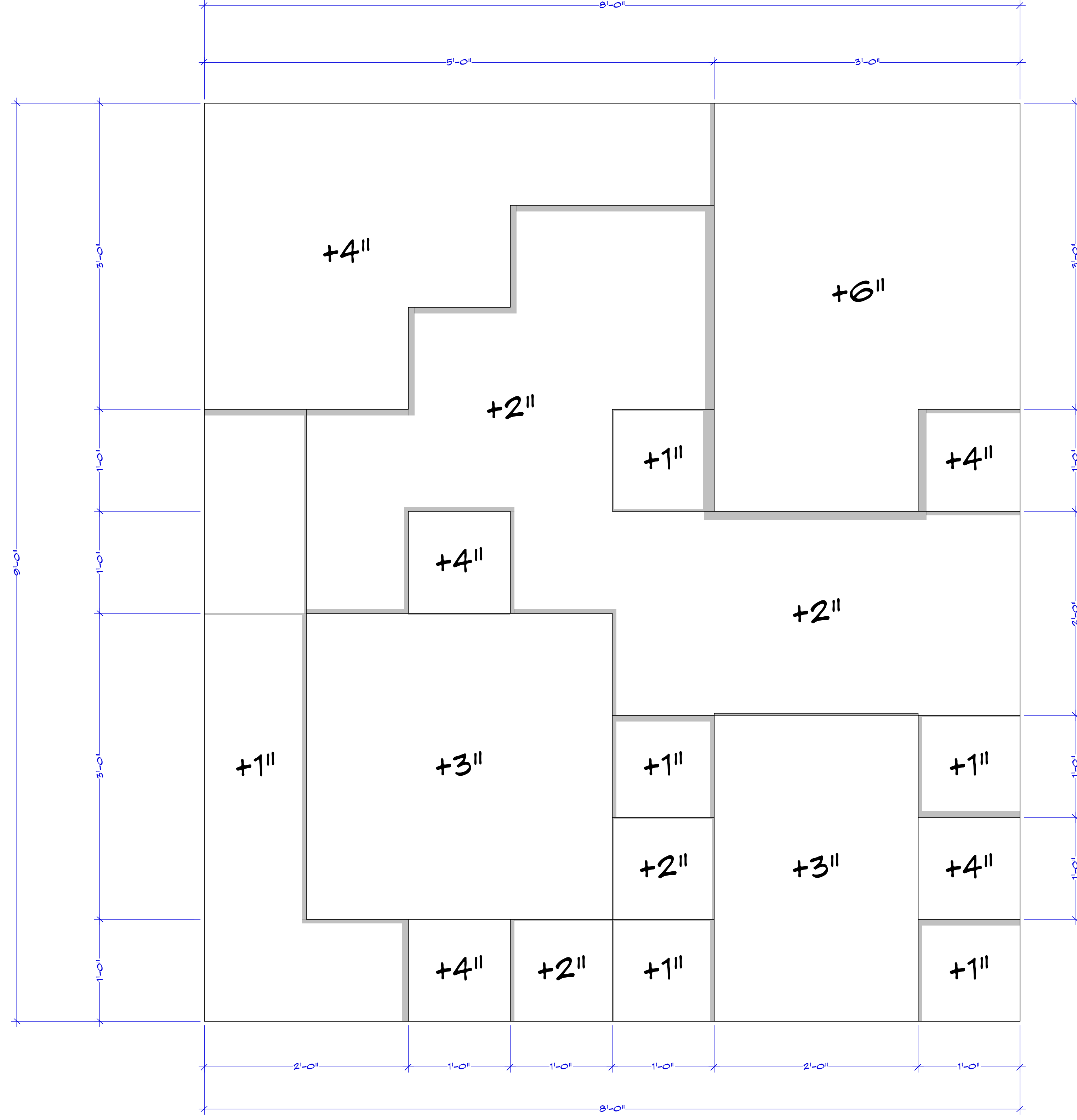


HB HANGING BAFFLE LAYOUT
SCALE: 3/4" = 1'-0"

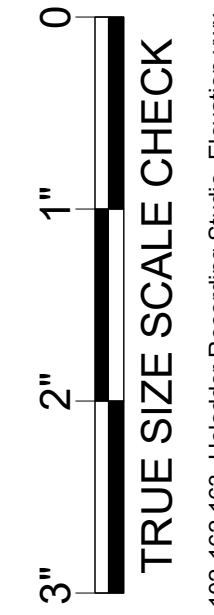


RELEASED 4/23/2019

Exec Producer: NIKKI TOSCANO	Producer: JERRY KUPFER	Set Name & Description: RECORDING STUDIO HANGING BAFFLE	Episode: 102	Drawn by: M. FAHRER
Line Producer: BILL SELL	UPM: BILL SELL	Director: VARIOUS	Set #: 162-163	4/23/2019
Address: STEINER STUDIO 15 WASHINGTON AVE	Art Director: MARCI MUDD	Location: STAGE 27	Scale: NOTED	Shoot Date: 04/30/2019
Prod. Designer: CURT BEECH	Const. Coordinator: NILES NORTON			Sheet No.: 162-06
Set Decorator: SUSAN MARSHAL				



E US TILE WALL LAYOUT E
 SCALE: 1/2" = 1'-0"



TRUE SIZE SCALE CHECK

102-182-183_Holstetter Recording Studio_Elevation.vwx



RELEASE 4/09/2019

Exec Producer: NIKKI TOSCANO	Producer: JERRY KUPFER	Episode: 102	Drawn by: M. FAHRER
Line Producer: BILL SELL	UPM: BILL SELL	Set #: 162-183	Drawing Date: 4/23/2019
Address: STEINER STUDIO 15 WASHINGTON AVE	Art Director: MARCI MUDD	Scale: NOTED	Shoot Date: 05/01/2019
Prod. Designer: CURT BEECH	Const. Coordinator: NILES NORTON	Location: STAGE 27	Sheet No.: 162-07
Set Decorator: SUSAN MARSHAL			